



US00D557806S

(12) **United States Design Patent**
Gromosaik et al.

(10) **Patent No.:** **US D557,806 S**

(45) **Date of Patent:** **** Dec. 18, 2007**

(54) **VIBRATING RING**

(75) Inventors: **Mark V. Gromosaik**, East Windsor, NJ (US); **Jason Kieke**, Freehold, NJ (US); **Bruce Richard Weiss**, Manalapan, NJ (US); **Jesse Adams**, Seattle, WA (US)

(73) Assignees: **Church & Dwight Co., Inc.**, Princeton, NJ (US); **Zhen Distribution, Inc.**, Seattle, WA (US)

(**) Term: **14 Years**

(21) Appl. No.: **29/275,231**

(22) Filed: **Dec. 18, 2006**

(51) **LOC (8) Cl.** **24-02**

(52) **U.S. Cl.** **D24/143; D24/105; D24/215**

(58) **Field of Classification Search** D24/105, D24/143, 215; 128/842, 844, 918; 601/69, 601/70, 79; 600/38, 39

See application file for complete search history.

(56) **References Cited**

U.S. PATENT DOCUMENTS

5,524,638 A * 6/1996 Lyons 128/844

D463,751 S * 10/2002 Wilkinson D24/215
6,490,885 B1 * 12/2002 Wilkinson 601/70
6,863,649 B2 * 3/2005 Yasue 600/38
2005/0155609 A1 * 7/2005 Lin 128/844
2005/0283044 A1 * 12/2005 Chang 600/38

* cited by examiner

Primary Examiner—Ian Simmons
Assistant Examiner—Melanie Levy

(57) **CLAIM**

We claim the ornamental design for a vibrating ring, as shown and described.

DESCRIPTION

FIG. 1 is a front, top, right side perspective view of our vibrating ring device, showing our new design;

FIG. 2 is a top plan view thereof;

FIG. 3 is a bottom plan view thereof;

FIG. 4 is a left side elevational view thereof;

FIG. 5 is a right side elevational view thereof;

FIG. 6 is a top side, elevational view thereof; and,

FIG. 7 is a bottom side, elevational view thereof.

1 Claim, 2 Drawing Sheets

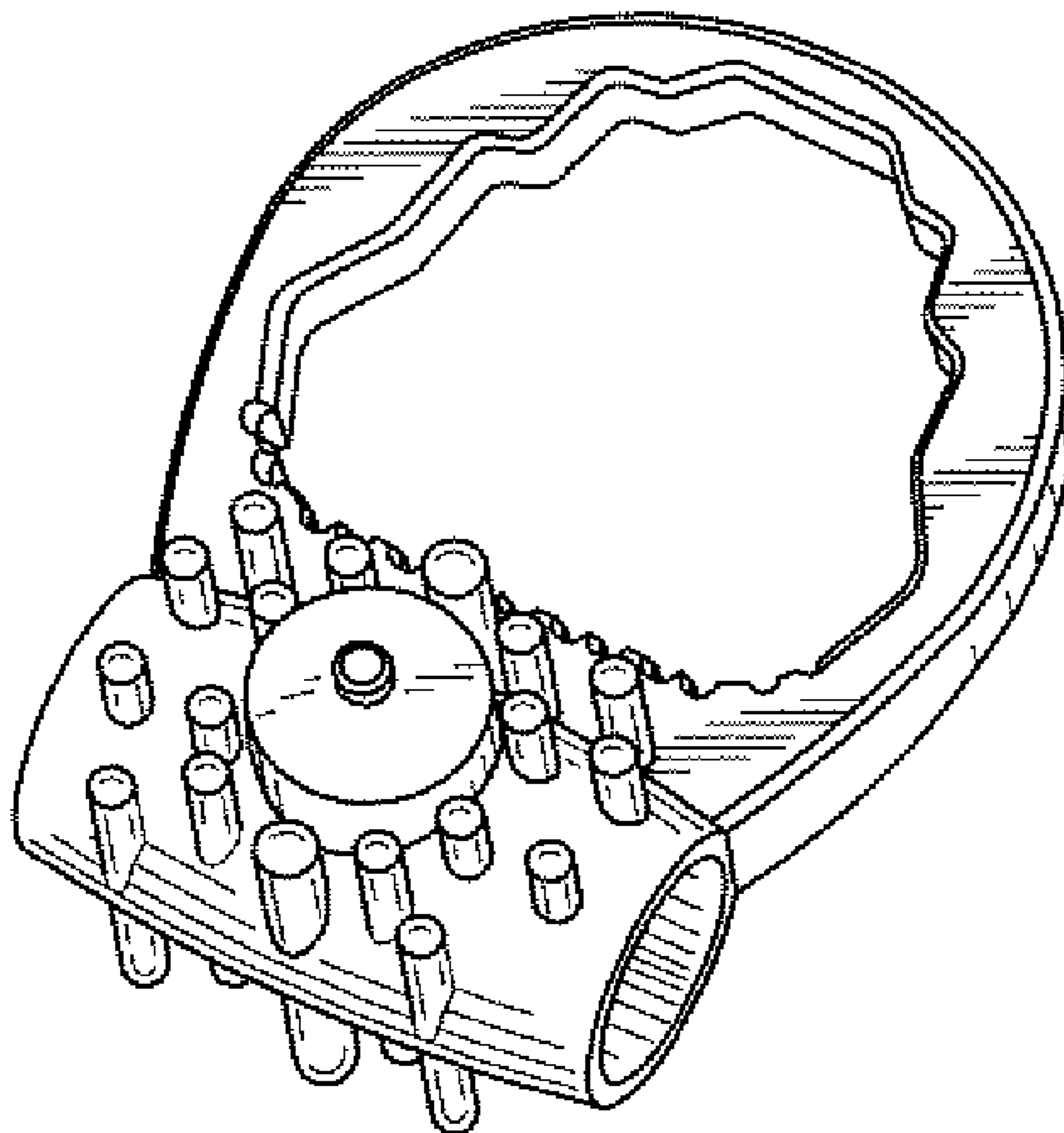


Fig. 1

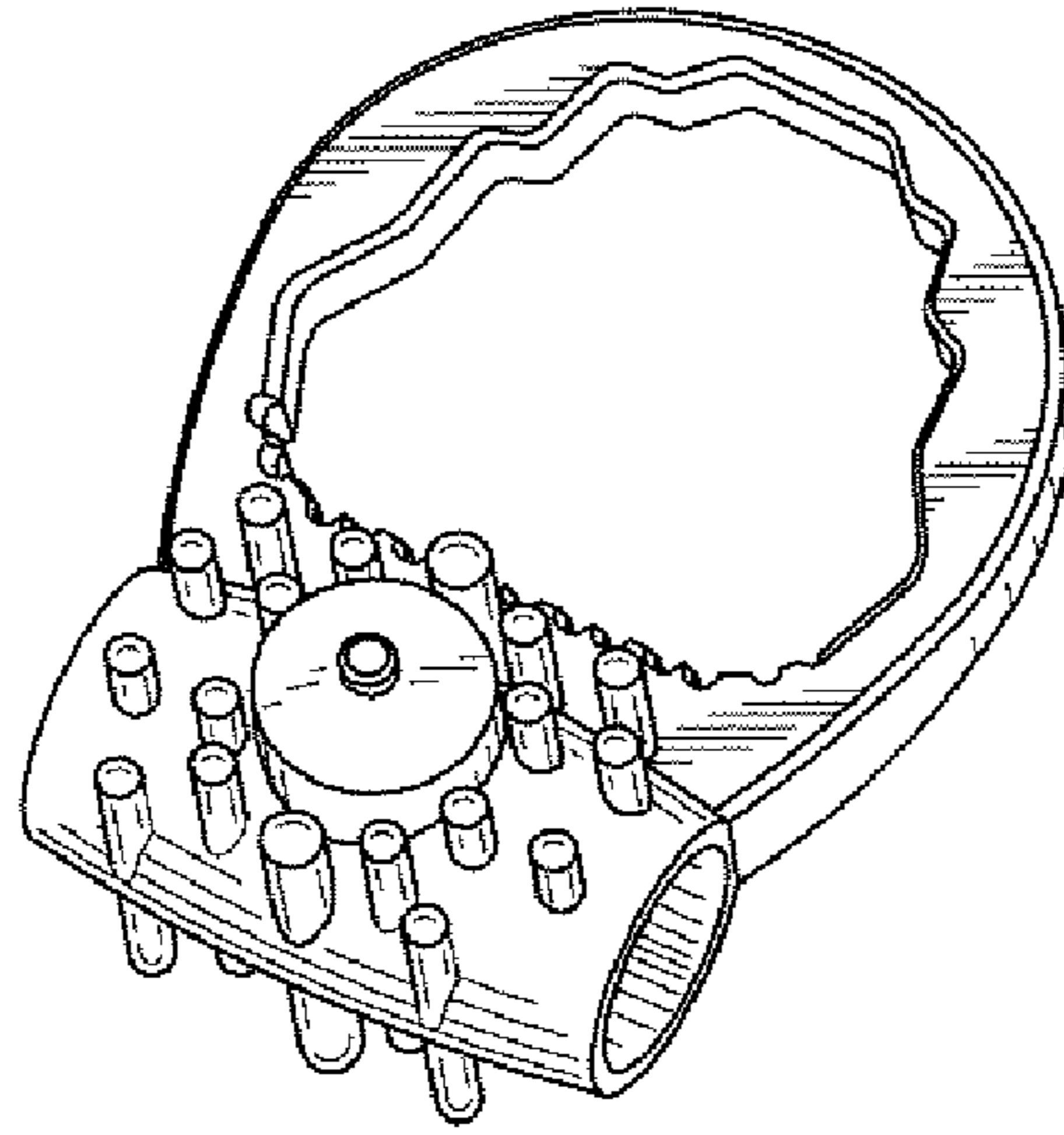


Fig. 2

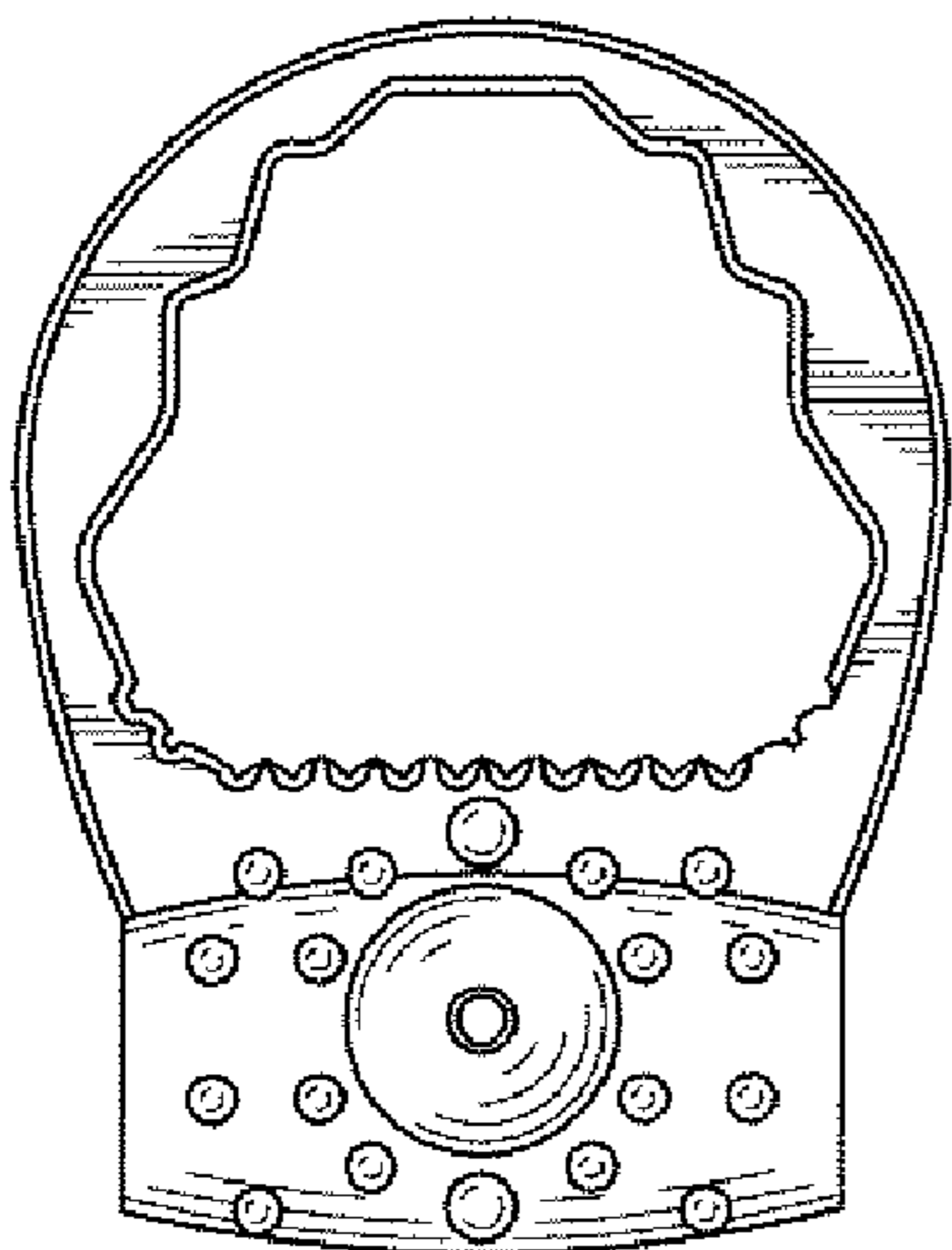


Fig. 3

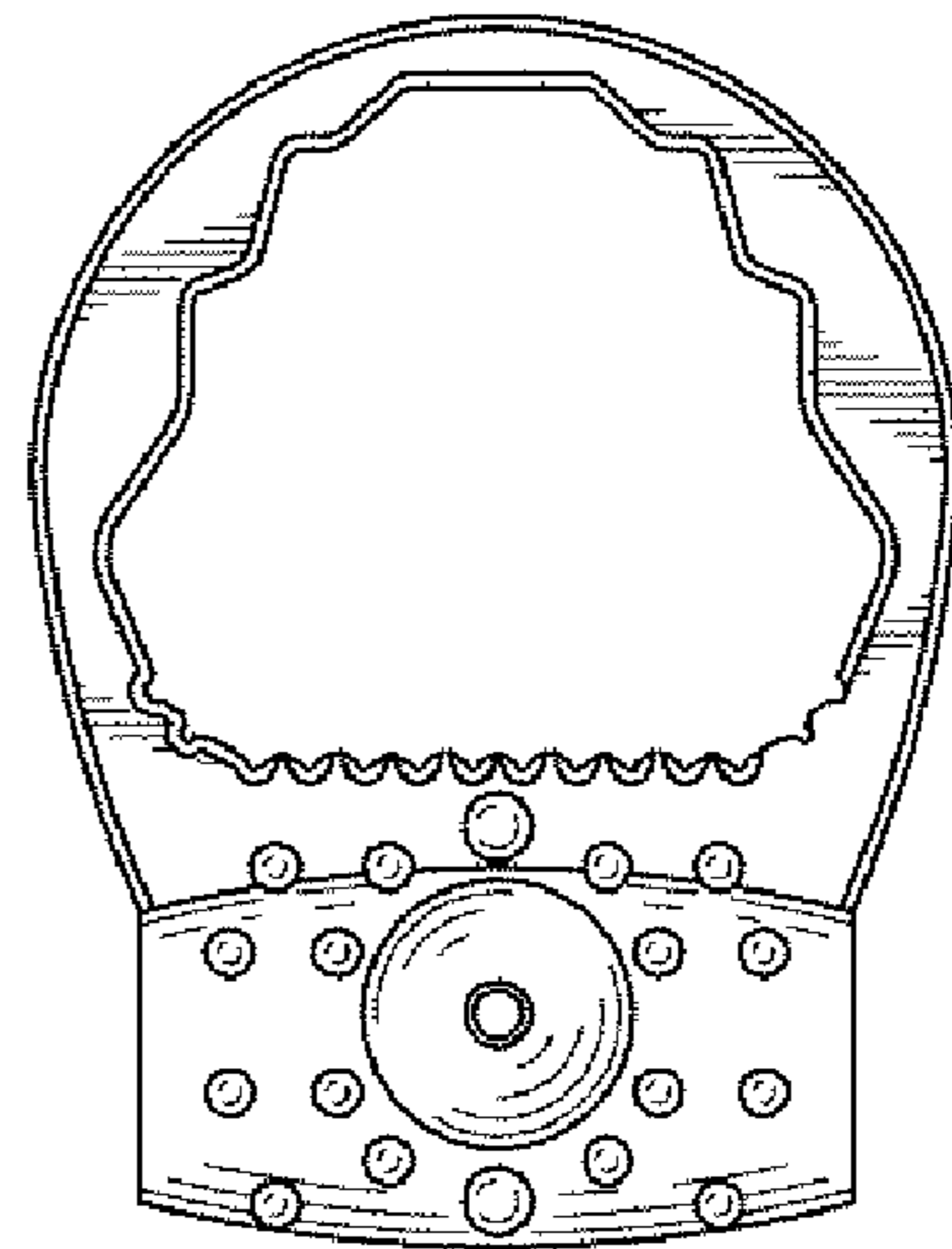


Fig. 4

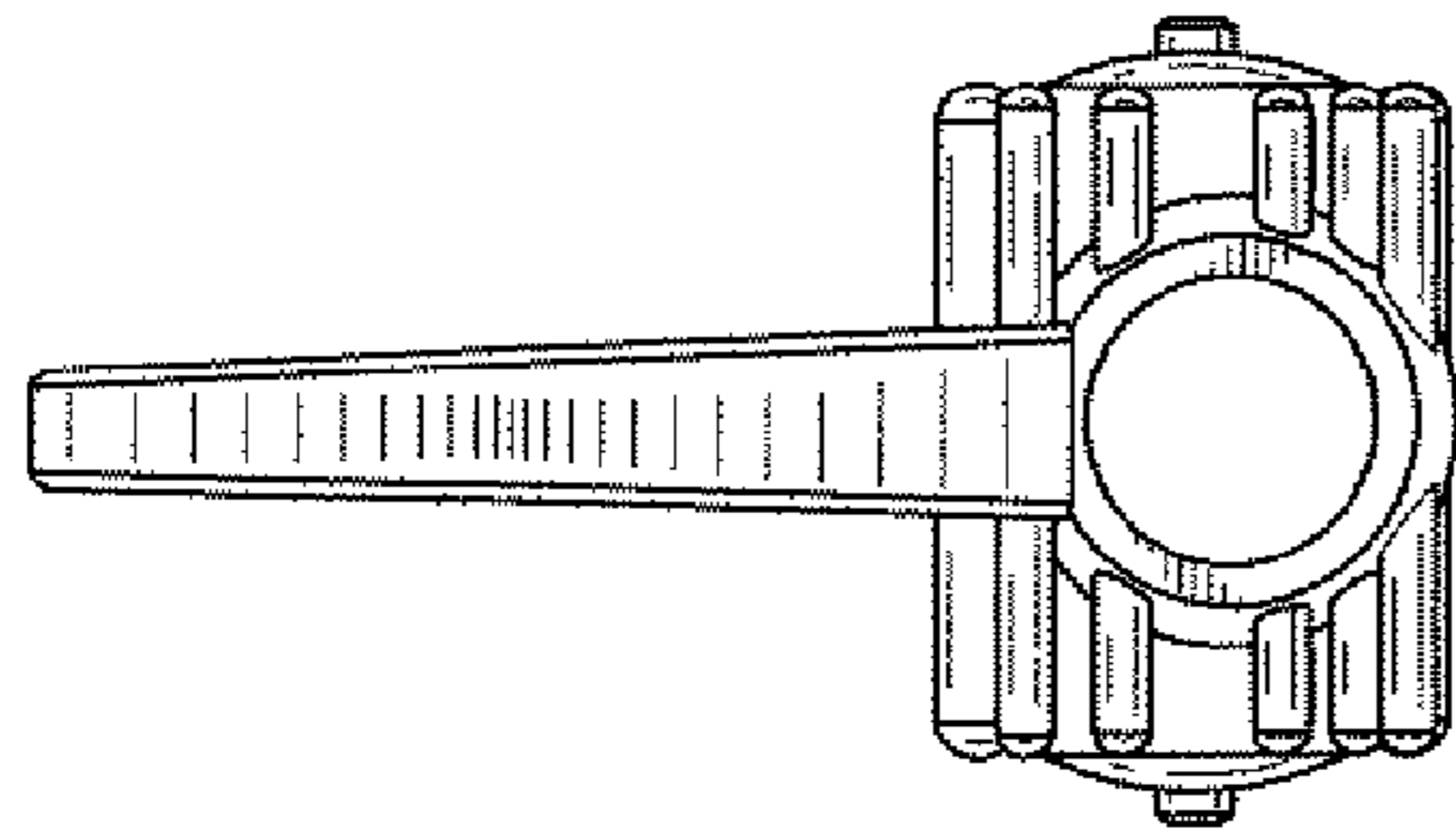


Fig. 5

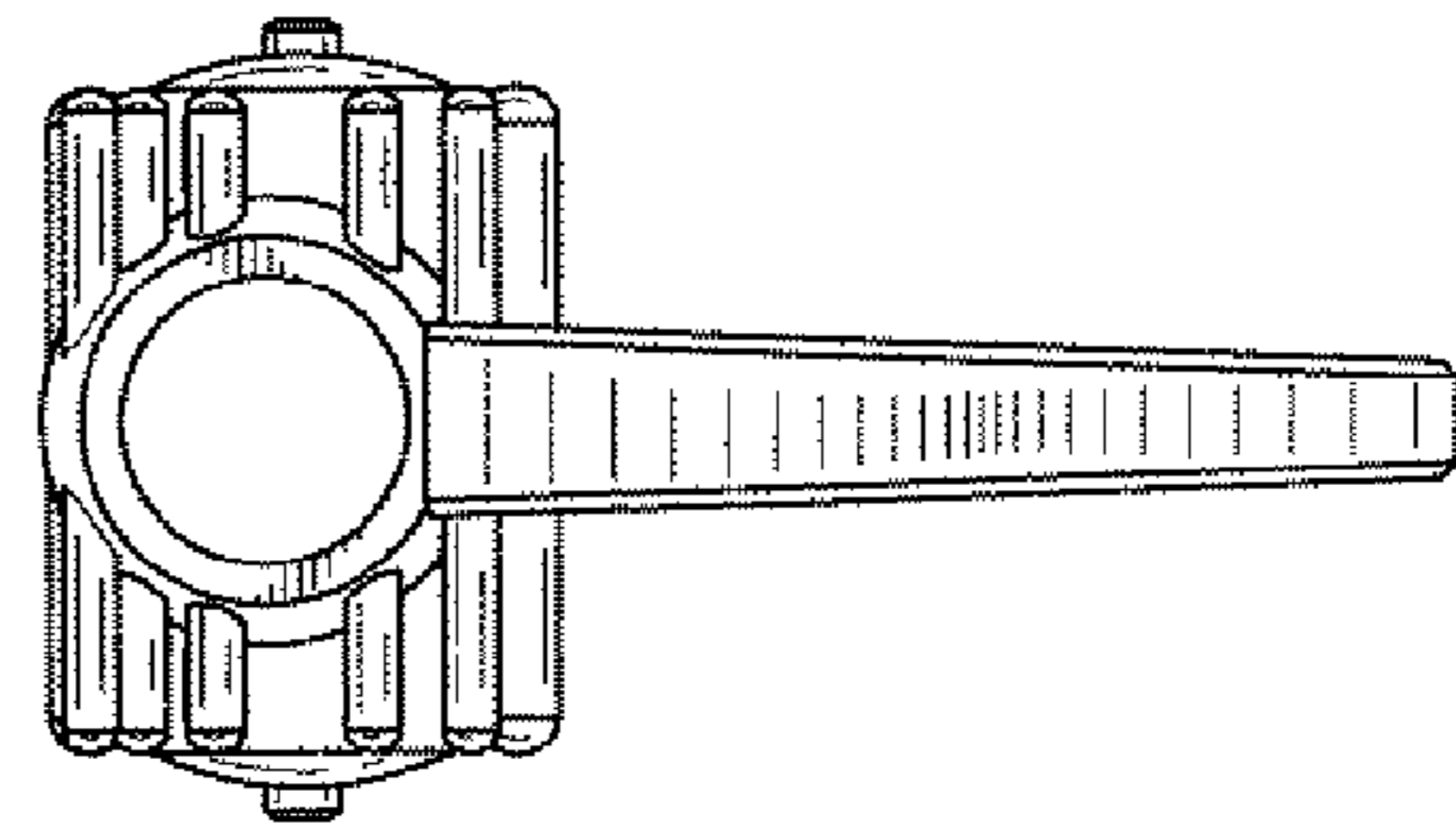


Fig. 6

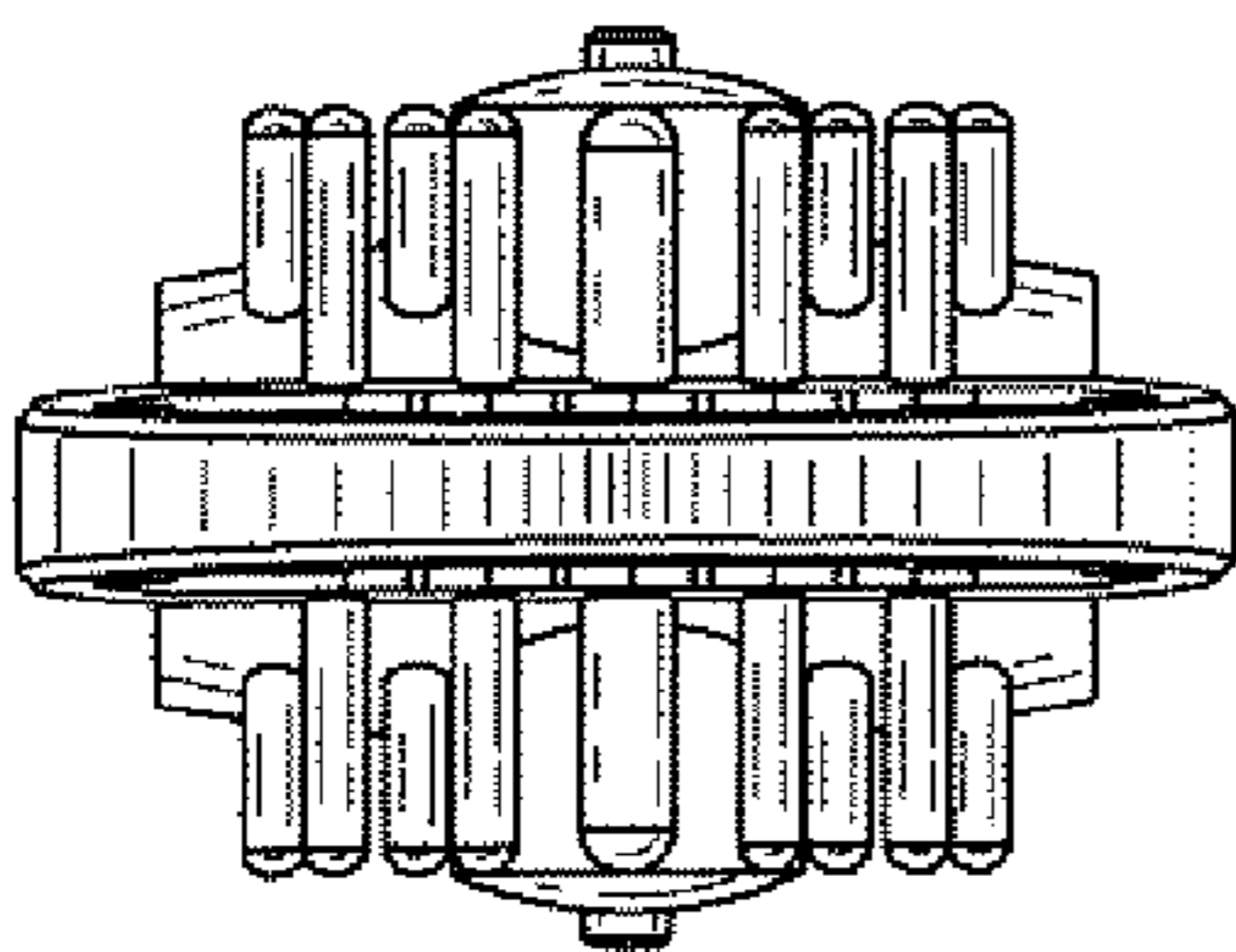


Fig. 7

