



US00D557803S

(12) **United States Design Patent**
Muri et al.

(10) **Patent No.:** **US D557,803 S**

(45) **Date of Patent:** **** Dec. 18, 2007**

(54) **SURGICAL CASSETTE FOR A SURGICAL SYSTEM**

(75) Inventors: **John I. Muri**, Aliso Viejo, CA (US);
Roger F. Etherington, Newport Beach, CA (US)

(73) Assignee: **Advanced Medical Optics, Inc.**, Santa Ana, CA (US)

(**) Term: **14 Years**

(21) Appl. No.: **29/250,316**

(22) Filed: **Nov. 9, 2006**

(51) **LOC (8) Cl.** **24-02**

(52) **U.S. Cl.** **D24/111**

(58) **Field of Classification Search** D24/111,
D24/108; 604/151, 153, 118, 247, 35, 30,
604/65-67; 128/DIG. 12, DIG. 13; 417/63,
417/477.2

See application file for complete search history.

(56) **References Cited**

U.S. PATENT DOCUMENTS

D282,002 S *	12/1985	Manno et al.	D24/111
D305,150 S *	12/1989	Pastrone	D24/111
D331,799 S *	12/1992	Kramer et al.	D24/111
D361,617 S *	8/1995	Sancoff et al.	D24/111
5,588,815 A *	12/1996	Zaleski, II	604/153
5,722,949 A *	3/1998	Sanese	604/33
5,816,779 A *	10/1998	Lawless et al.	417/63

D416,999 S *	11/1999	Miyamoto	D24/111
6,045,533 A *	4/2000	Kriesel et al.	604/151
6,319,223 B1 *	11/2001	Wortrich et al.	604/30
D462,121 S *	8/2002	Cartledge et al.	D24/111
D463,545 S *	9/2002	Sutton et al.	D24/111
D476,414 S *	6/2003	Buck et al.	D24/111
D479,320 S *	9/2003	O'Mahony et al.	D24/108
D504,507 S *	4/2005	Ziegler et al.	D24/111
D506,256 S *	6/2005	Miyoshi et al.	D24/108
7,168,930 B2 *	1/2007	Cull et al.	604/151

* cited by examiner

Primary Examiner—Ian Simmons

Assistant Examiner—David G Muller

(57) **CLAIM**

The ornamental design for a surgical cassette for a surgical system, as shown and described.

DESCRIPTION

FIG. 1 is a front perspective view of a surgical cassette for a surgical system.

FIG. 2 is a front elevational view thereof.

FIG. 3 is a left side elevational view thereof.

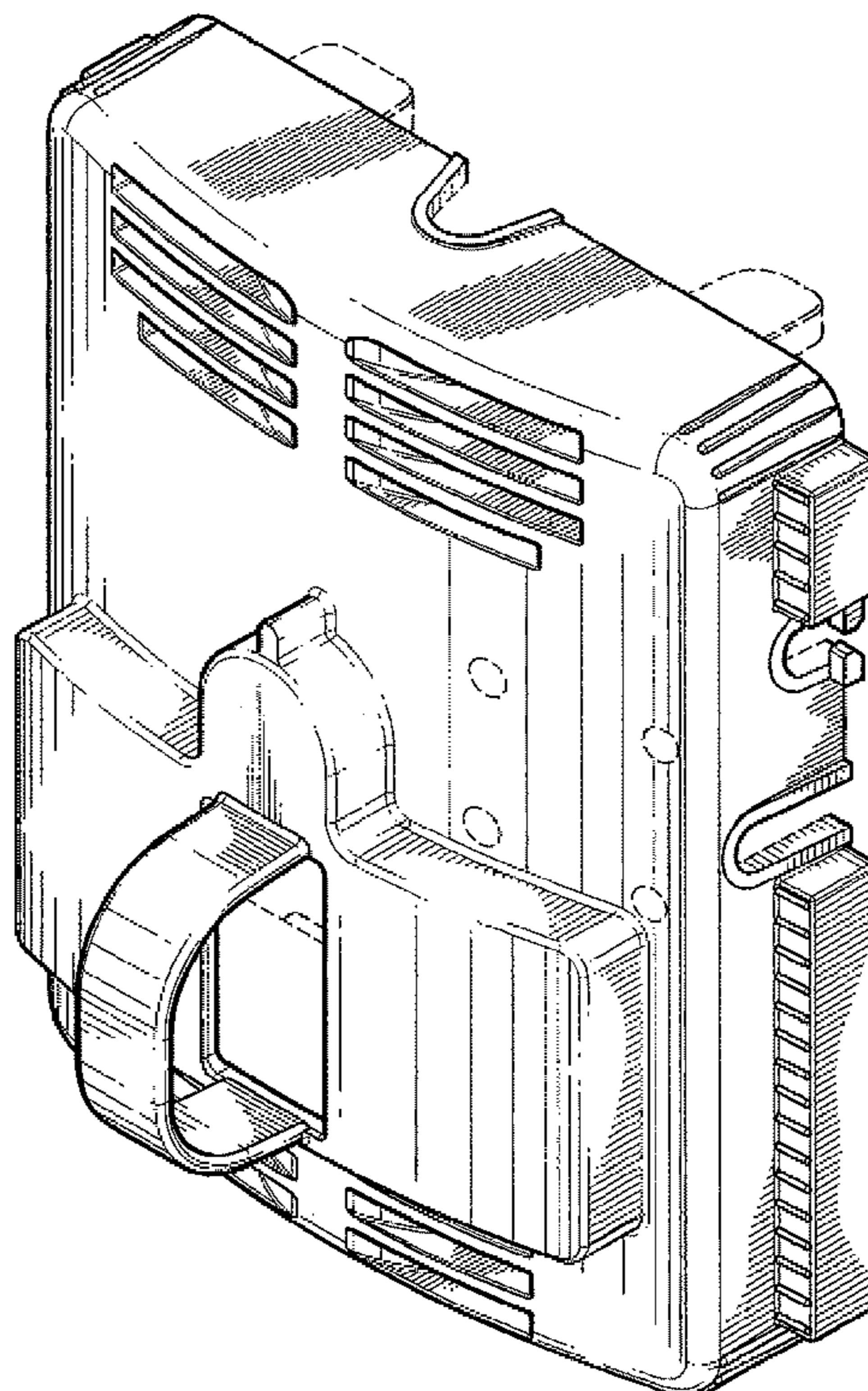
FIG. 4 is a right side elevational view thereof.

FIG. 5 is a top elevational view thereof.

FIG. 6 is a bottom elevational view thereof; and,

FIG. 7 is a back elevational view thereof.

1 Claim, 5 Drawing Sheets



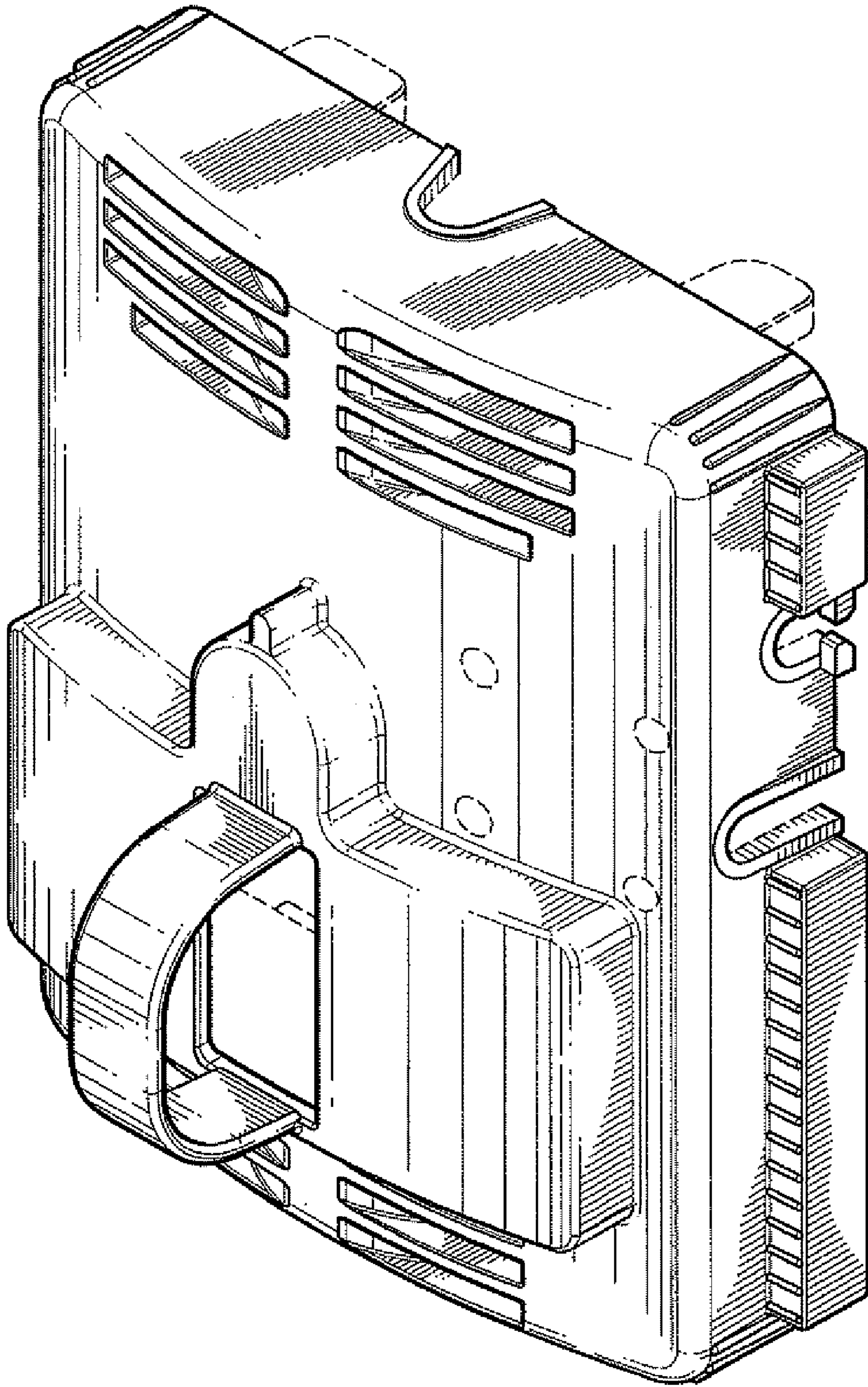


FIG. 1

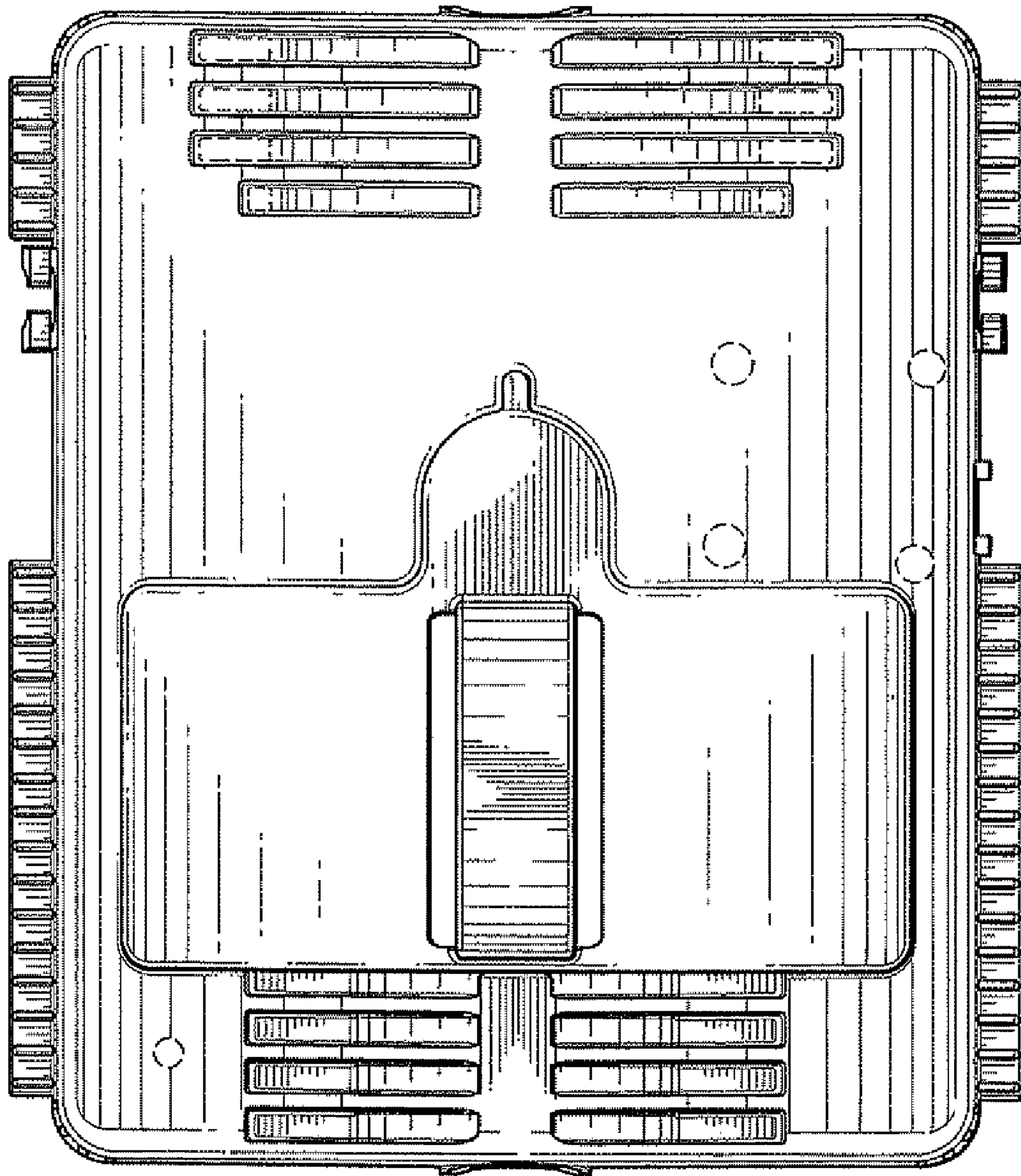


FIG. 2

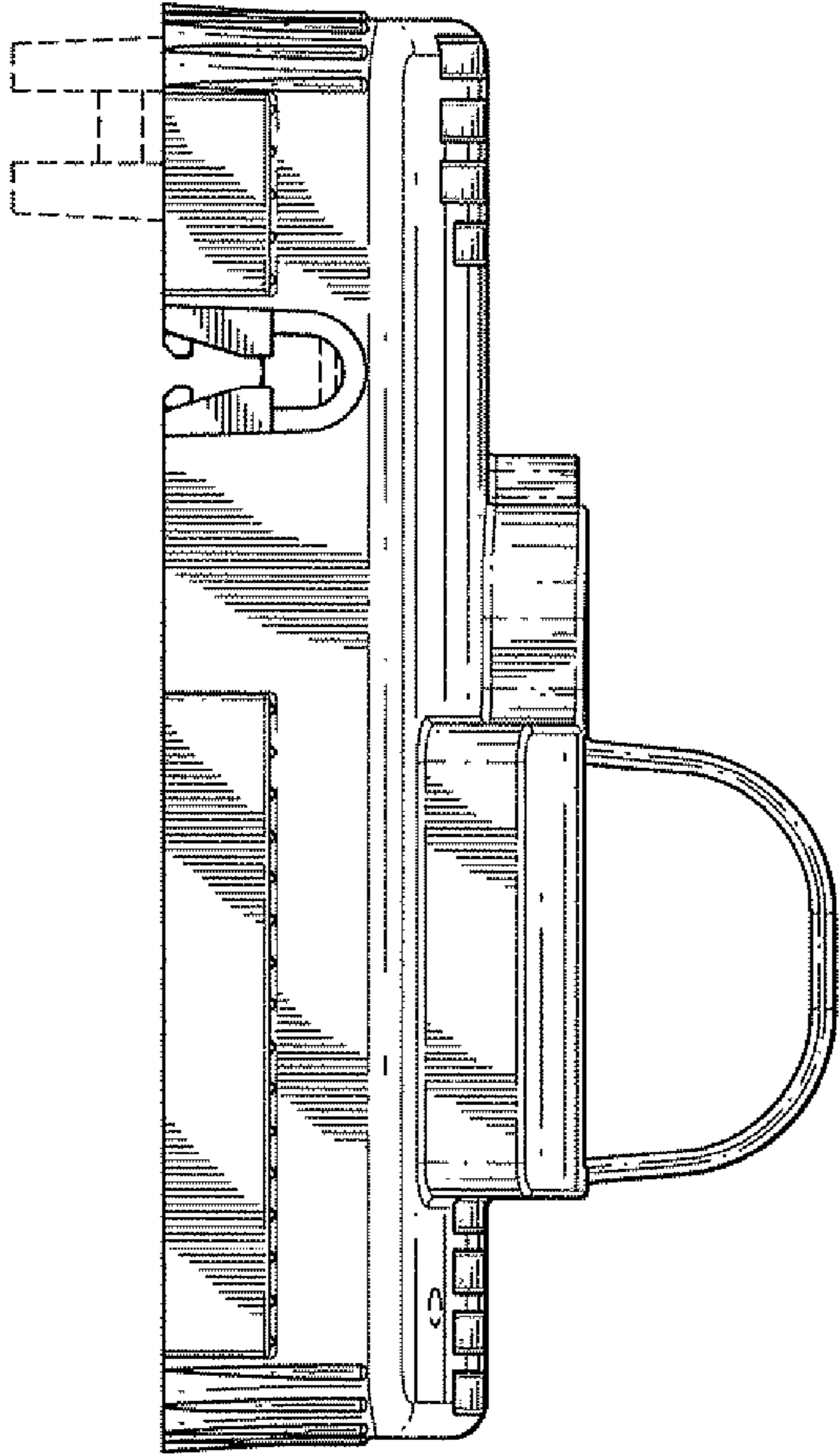


FIG. 3

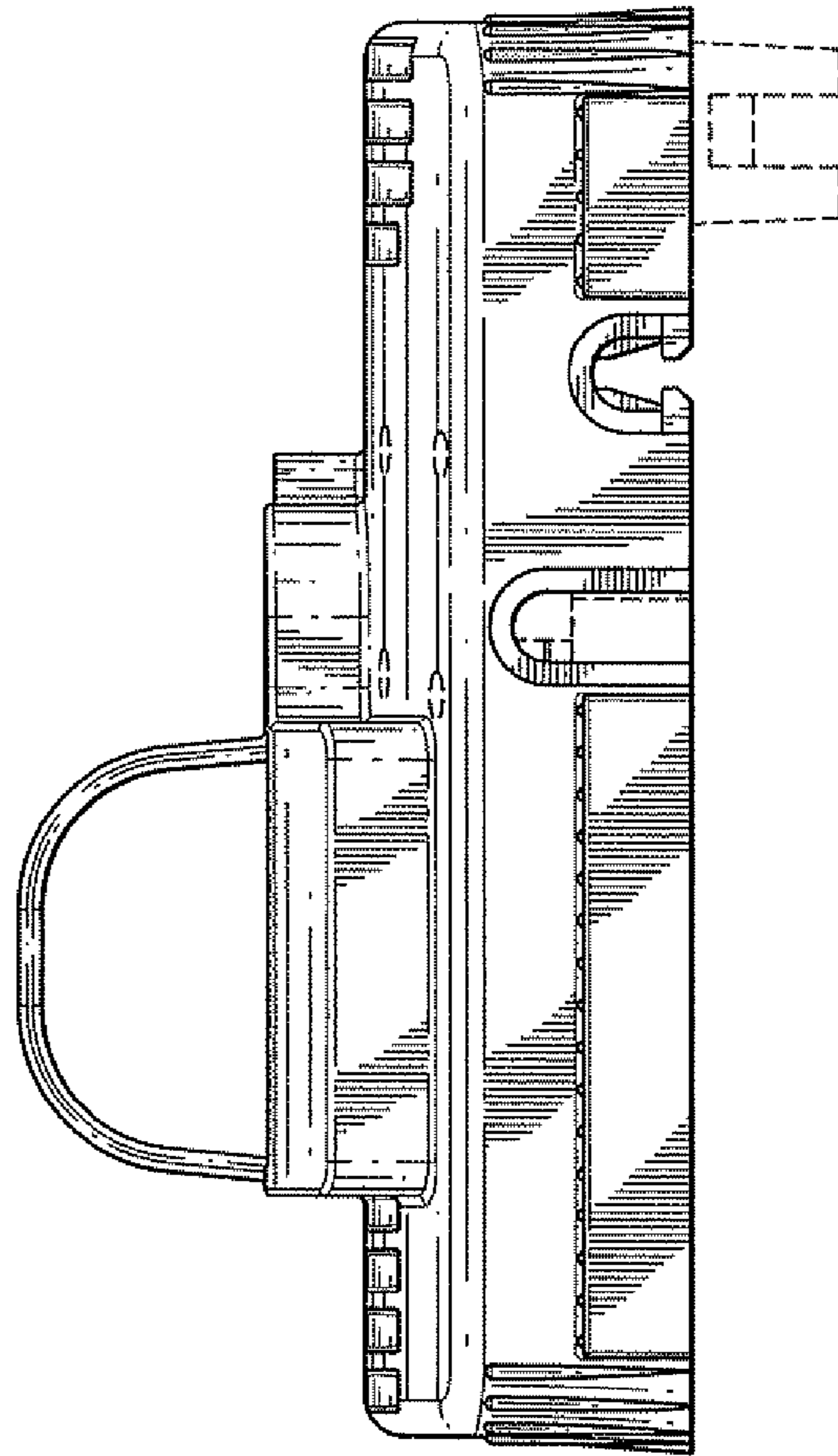


FIG. 4

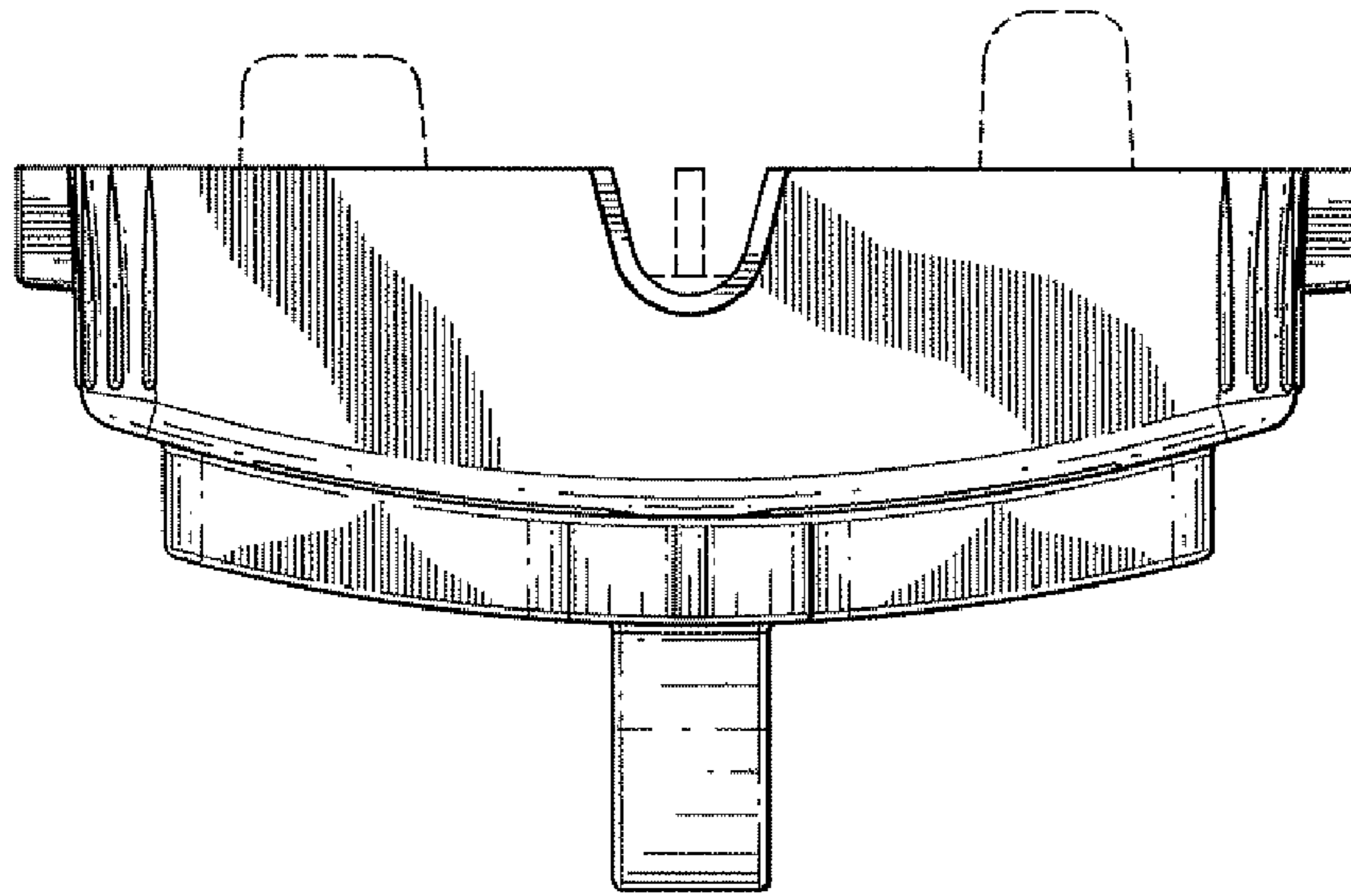


FIG. 5

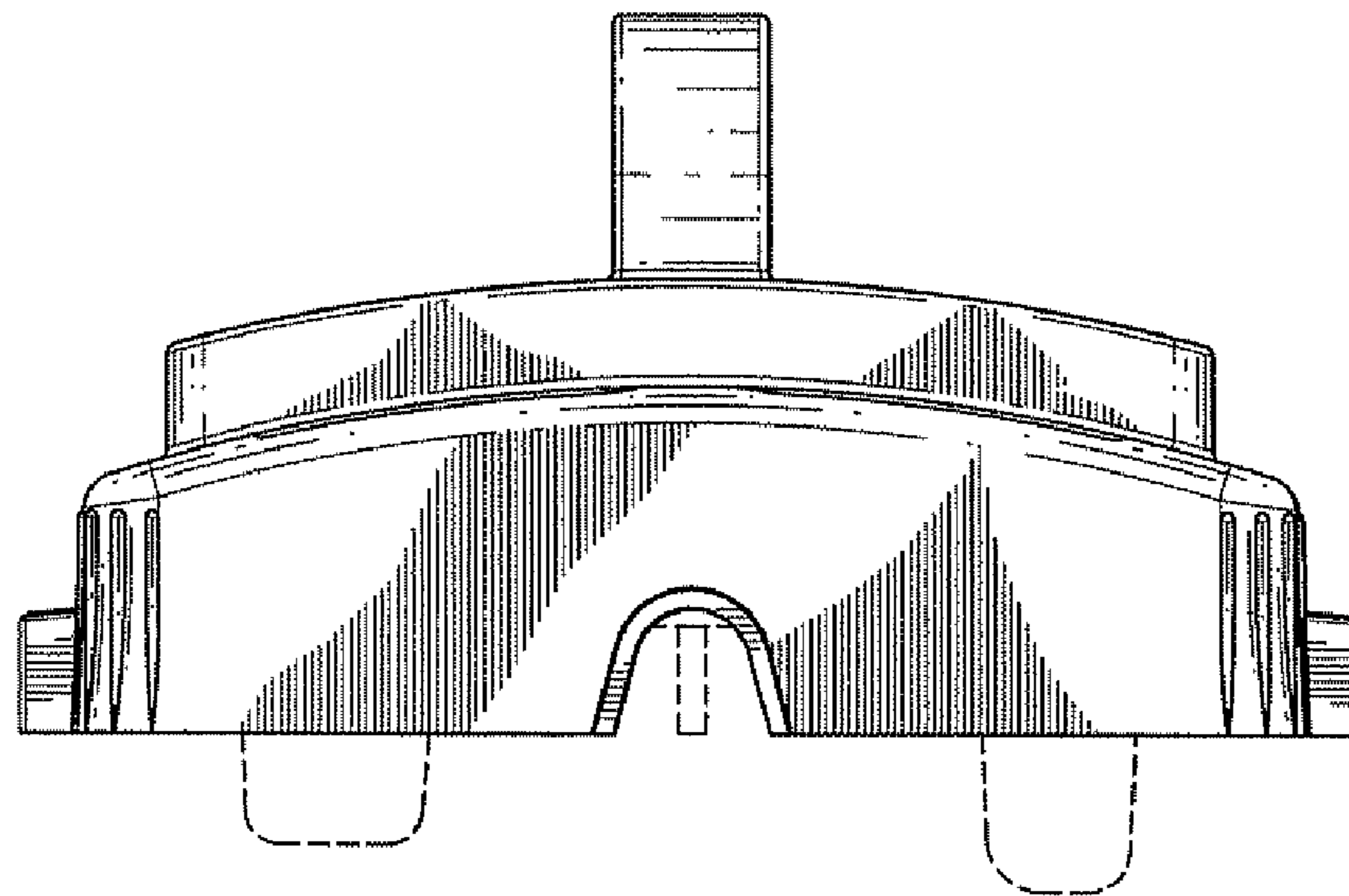


FIG. 6

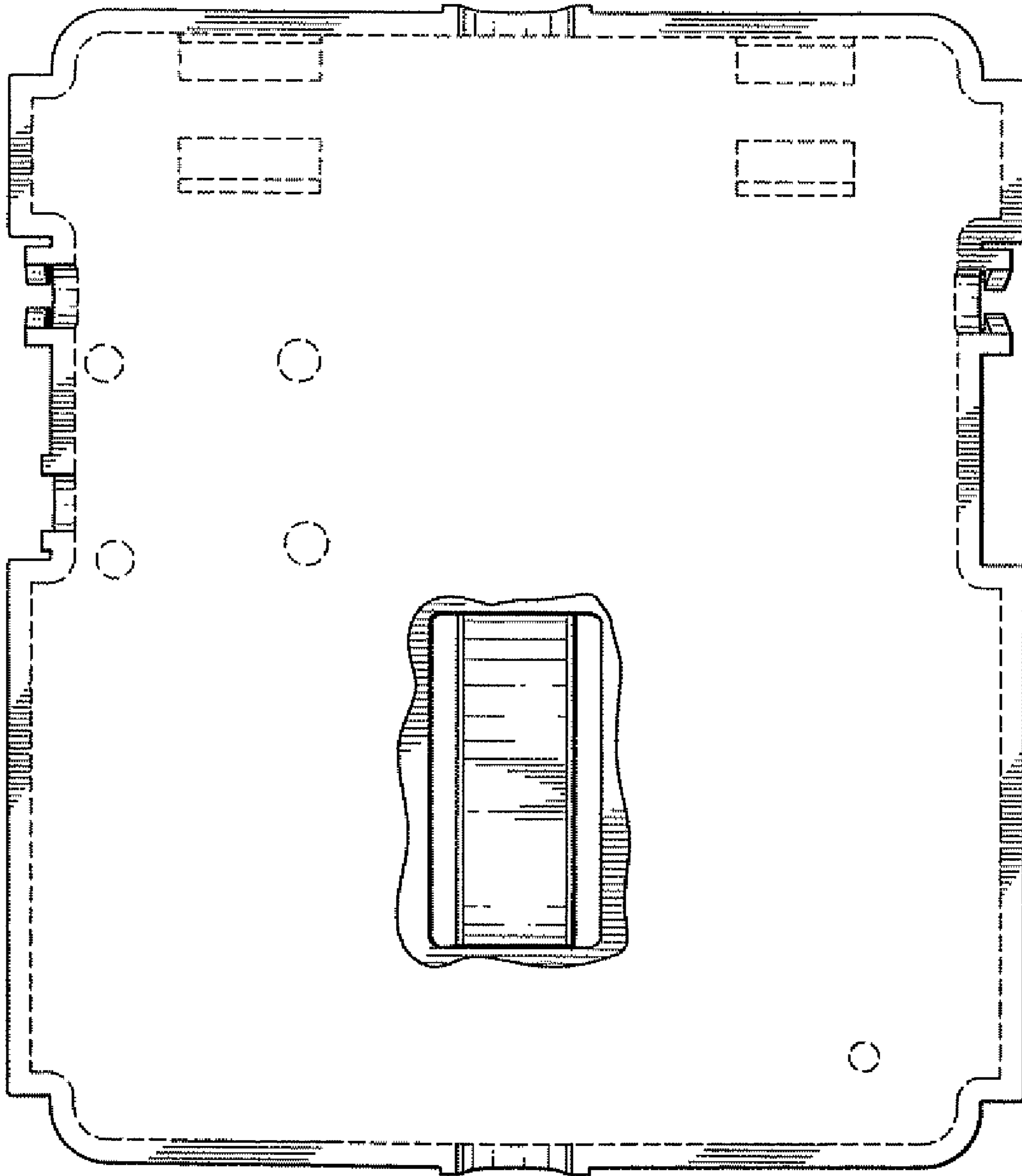


FIG. 7