



US00D557802S

(12) **United States Design Patent** (10) **Patent No.:** **US D557,802 S**
Miceli, Jr. et al. (45) **Date of Patent:** **** Dec. 18, 2007**

(54) **NASAL INTERFACE**

(75) Inventors: **Joseph M. Miceli, Jr.**, Pittsburgh, PA (US); **Justin Rothermel**, Monroeville, PA (US)

(73) Assignee: **RIC Investments, LLC**, Wilmington, DE (US)

(**) Term: **14 Years**

(21) Appl. No.: **29/265,506**

(22) Filed: **Sep. 1, 2006**

(51) **LOC (8) Cl.** **29-02**

(52) **U.S. Cl.** **D24/110.6**

(58) **Field of Classification Search** D24/110, D24/110.1-110.6; 128/206.11, 206.23, 206.27, 128/207.11, 207.13, 207.18, 205.25, 200.14, 128/200.18, 200.21, 200.23

See application file for complete search history.

(56) **References Cited**

U.S. PATENT DOCUMENTS

3,513,844	A *	5/1970	Smith	128/207.18
4,422,456	A	12/1983	Tiep		
4,782,832	A	11/1988	Trimble et al.		
4,915,105	A	4/1990	Lee		
5,682,881	A	11/1997	Winthrop et al.		
6,019,101	A	2/2000	Cotner et al.		
6,119,694	A	9/2000	Correa et al.		
6,478,026	B1	11/2002	Wood		
6,807,967	B2	10/2004	Wood		
7,178,525	B2 *	2/2007	Matula et al.	128/206.27
D542,912	S *	5/2007	Gunaratnam et al.	...	D24/110.5

2004/0025885	A1 *	2/2004	Payne, Jr.	128/848
2004/0226566	A1	11/2004	Gunaratnam et al.		
2005/0199242	A1	9/2005	Matula, Jr. et al.		
2005/0205096	A1	9/2005	Matula, Jr. et al.		
2005/0241644	A1	11/2005	Gunaratnam et al.		
2007/0144525	A1 *	6/2007	Davidson et al.	128/206.27

* cited by examiner

Primary Examiner—Ian Simmons

Assistant Examiner—Christopher Lee

(74) *Attorney, Agent, or Firm*—Michael W. Haas

(57) **CLAIM**

The ornamental design for a nasal interface, as shown.

DESCRIPTION

FIG. 1 is a front perspective view of an embodiment of a nasal interface according to our new design;

FIG. 2 is a front elevational view of the nasal interface shown in FIG. 1;

FIG. 3 is a rear perspective view of the nasal interface shown in FIG. 1;

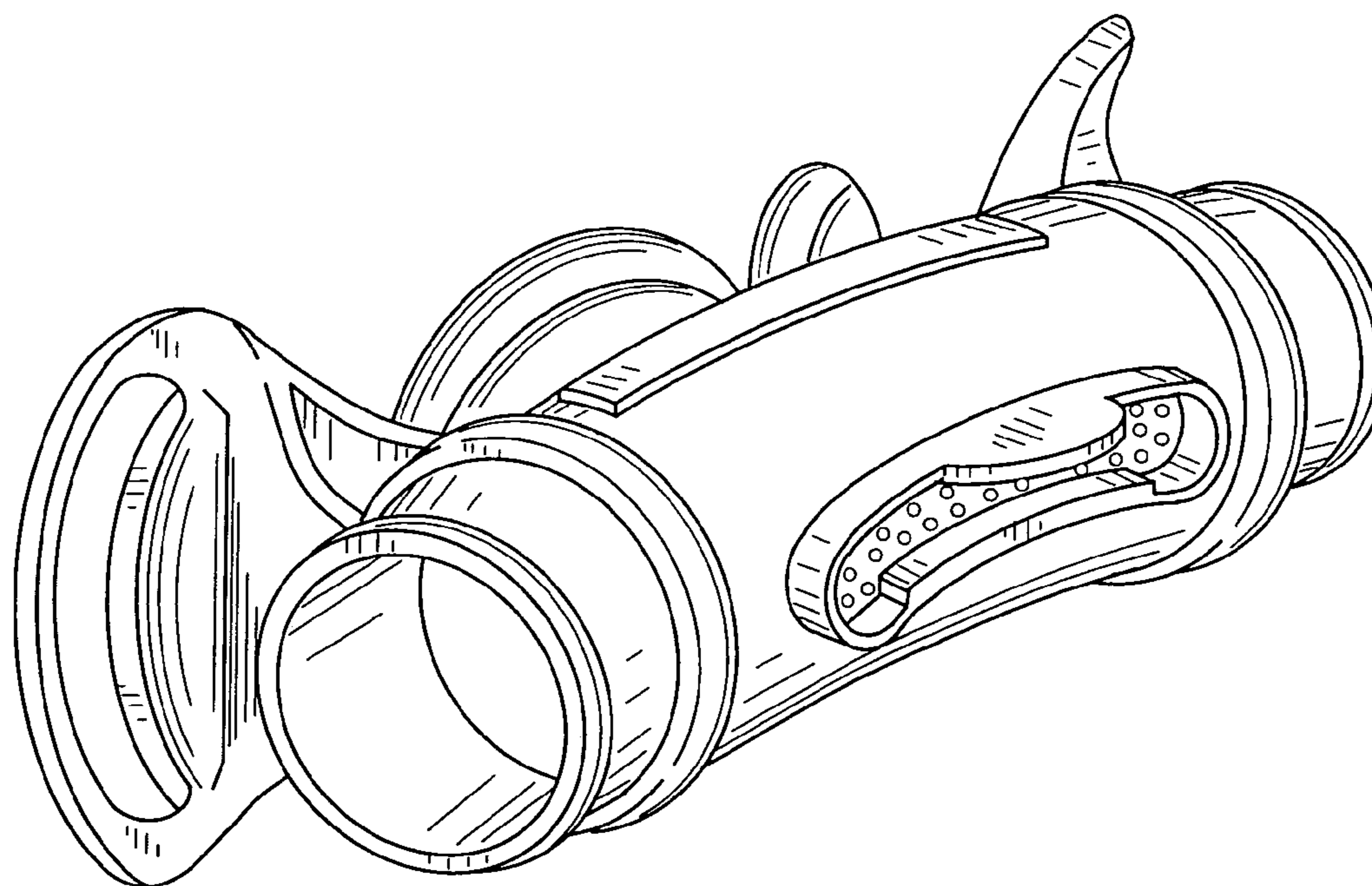
FIG. 4 is a top plan view of the nasal interface shown in FIG. 1;

FIG. 5 is a bottom plan view of the nasal interface shown in FIG. 1;

FIG. 6 is a left side elevational view of the nasal interface shown in FIG. 1; and,

FIG. 7 is a right side elevational view of the nasal interface shown in FIG. 1.

1 Claim, 4 Drawing Sheets



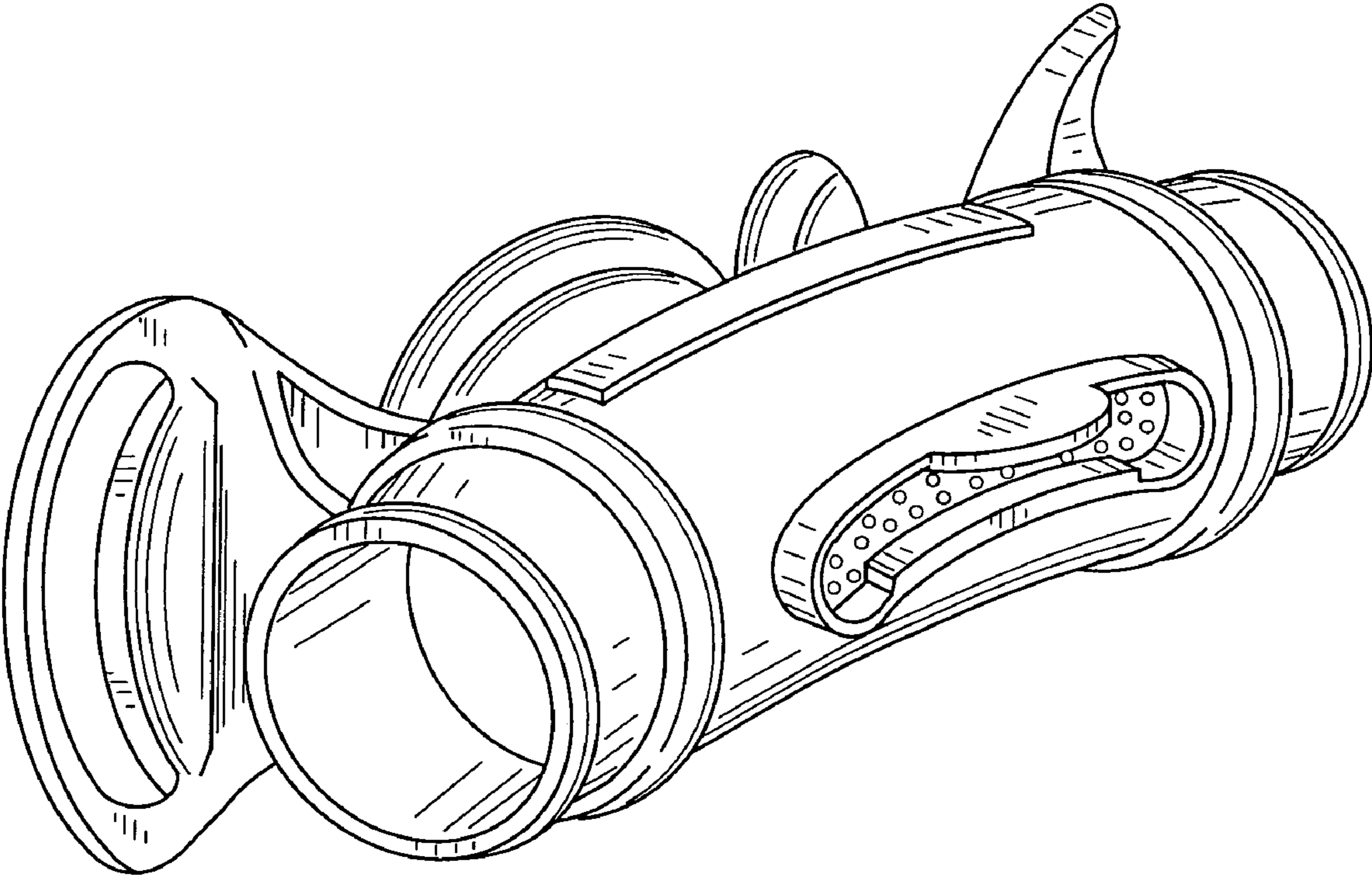


FIG. 1

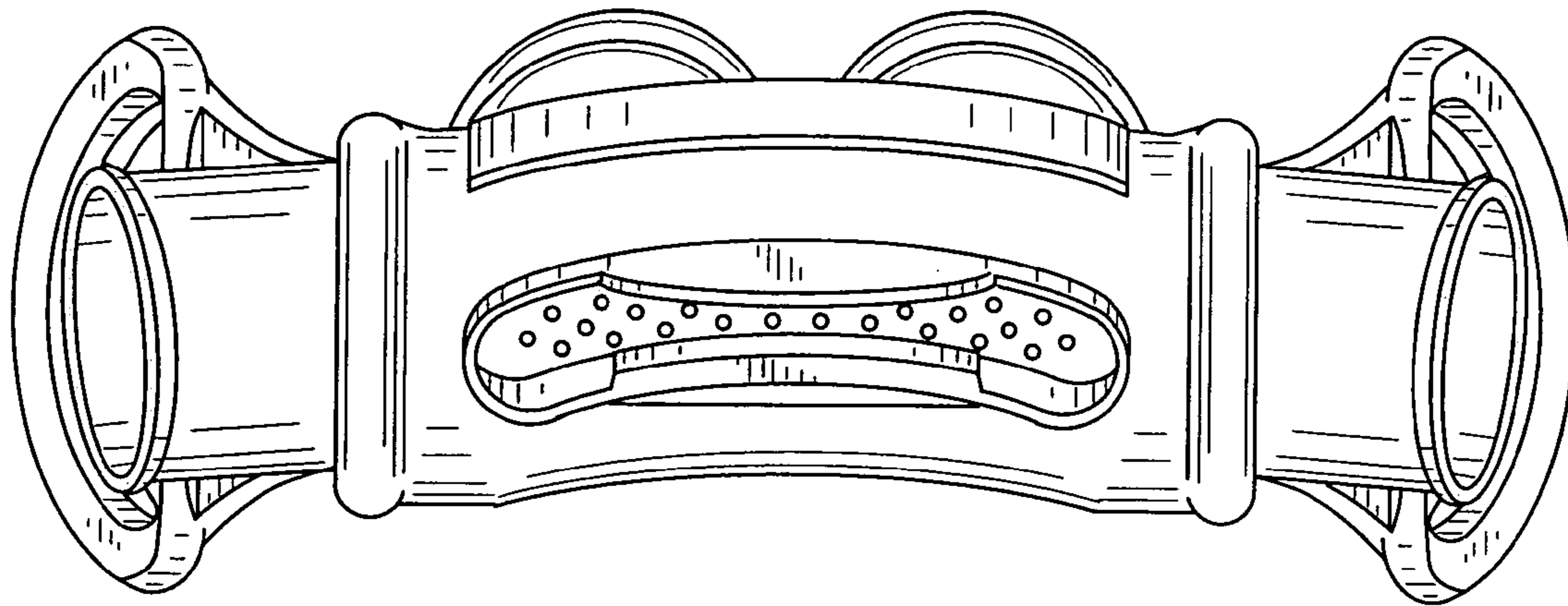


FIG. 2

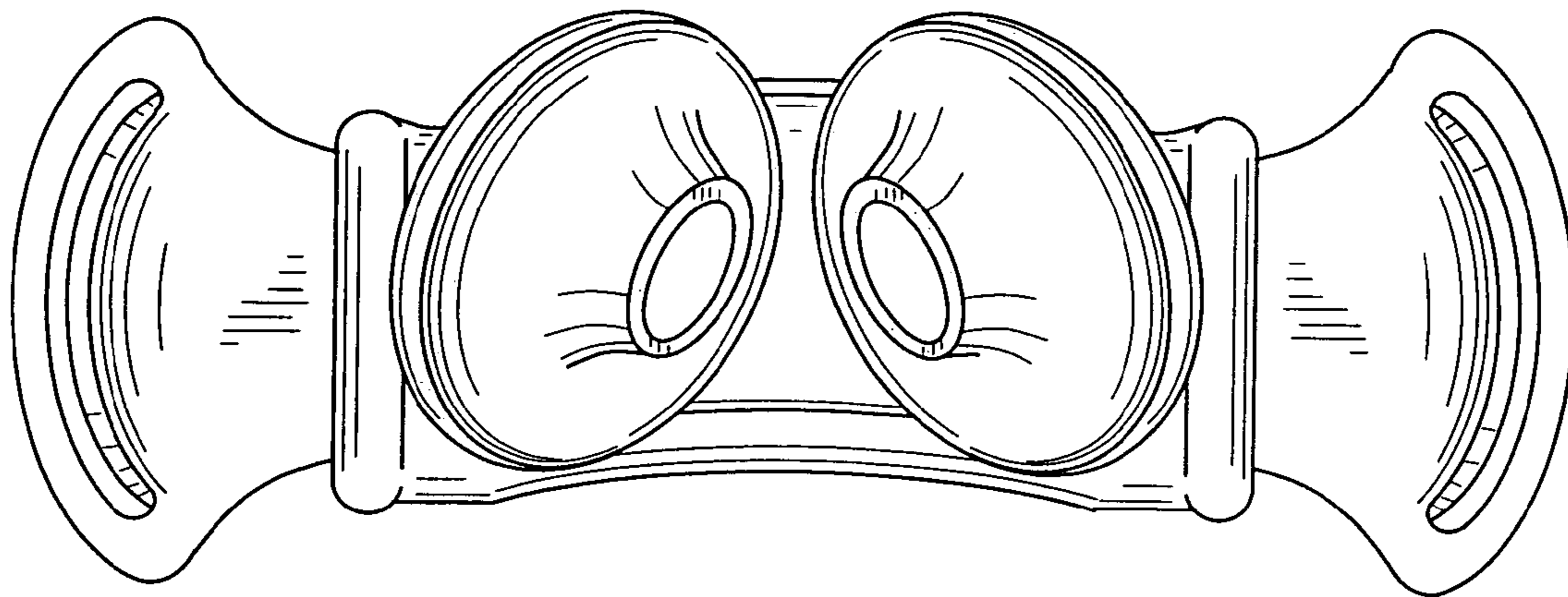


FIG. 3

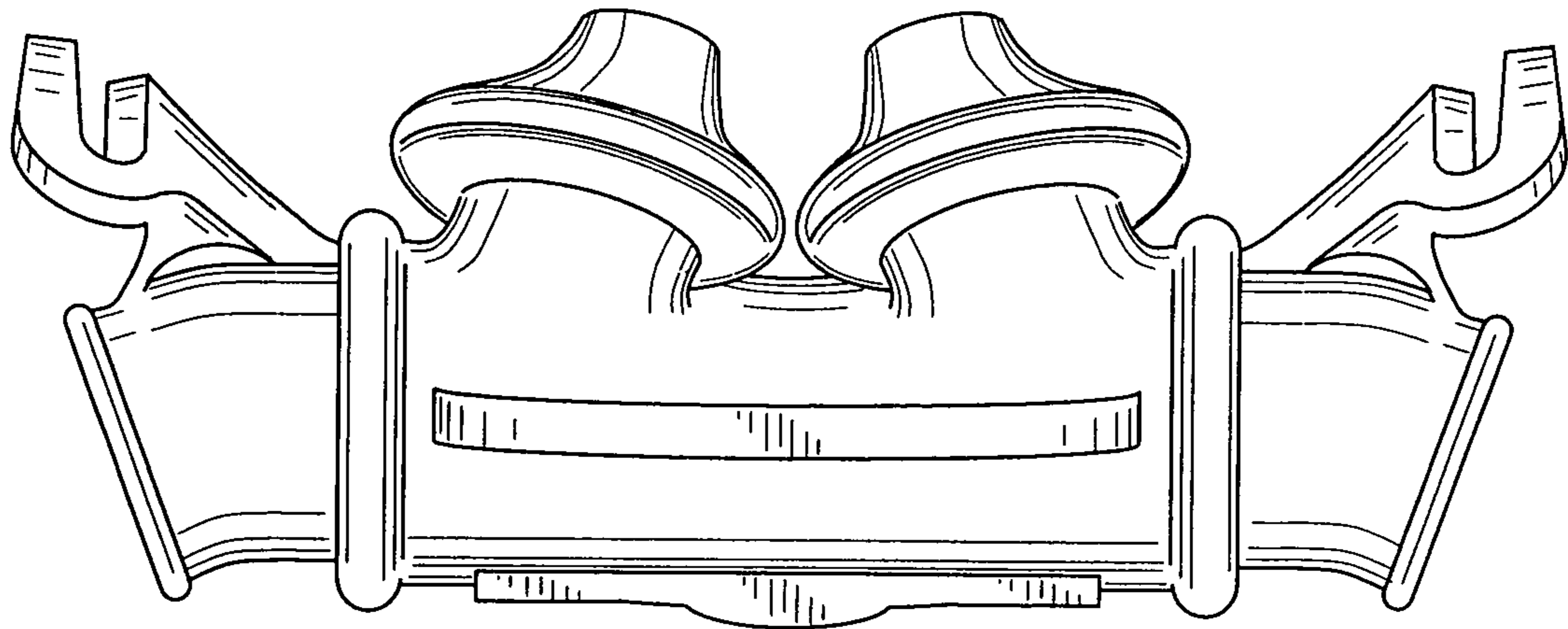


FIG. 4

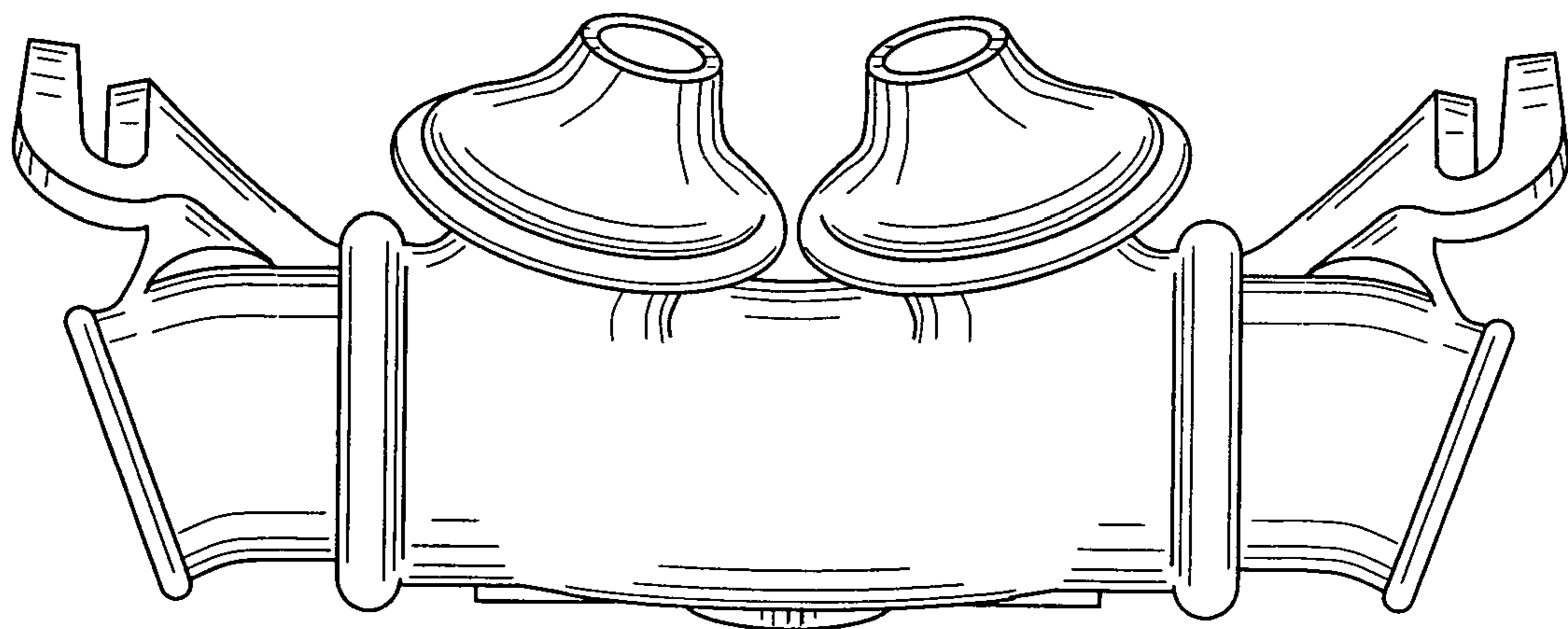


FIG. 5

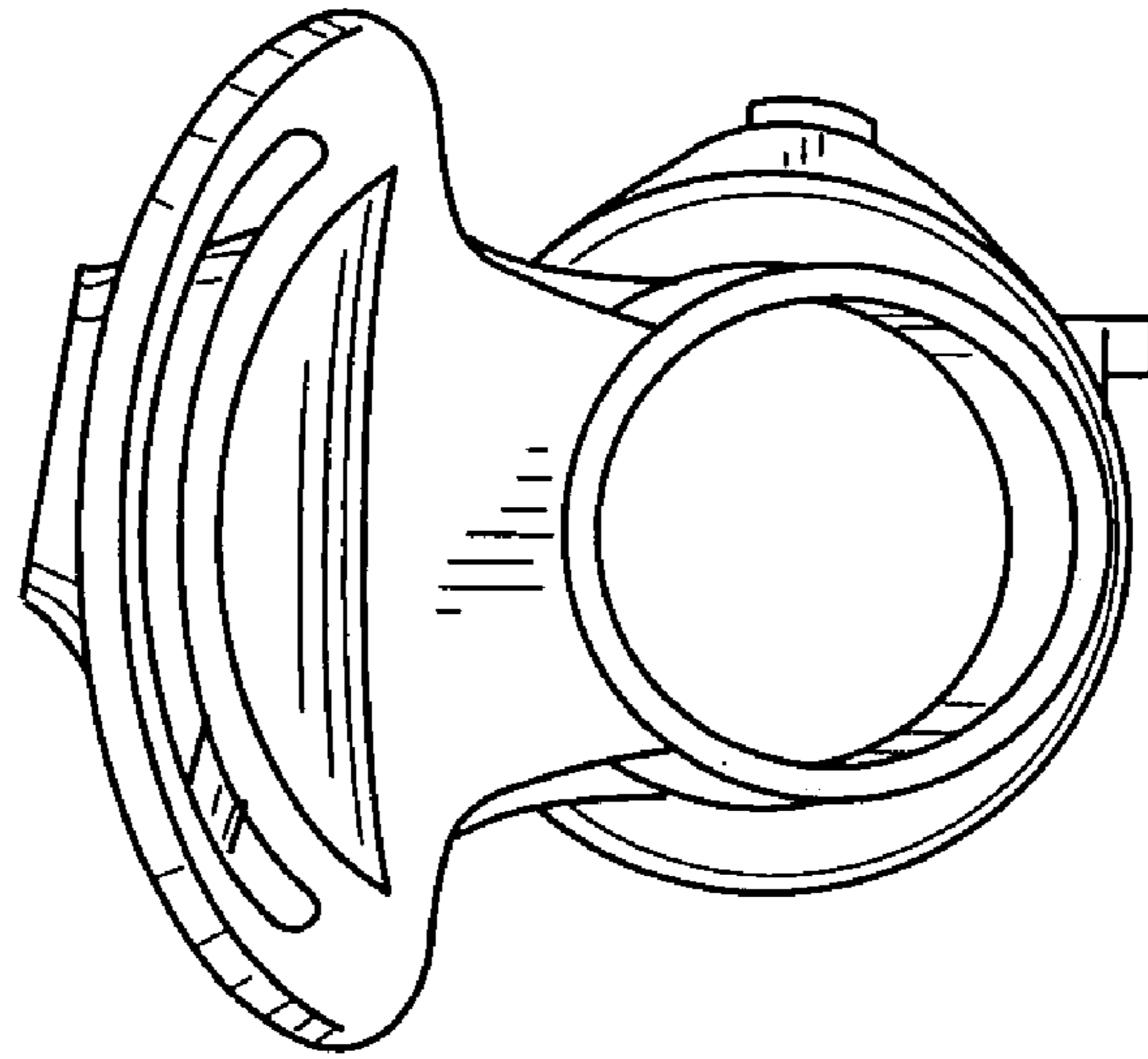


FIG. 6

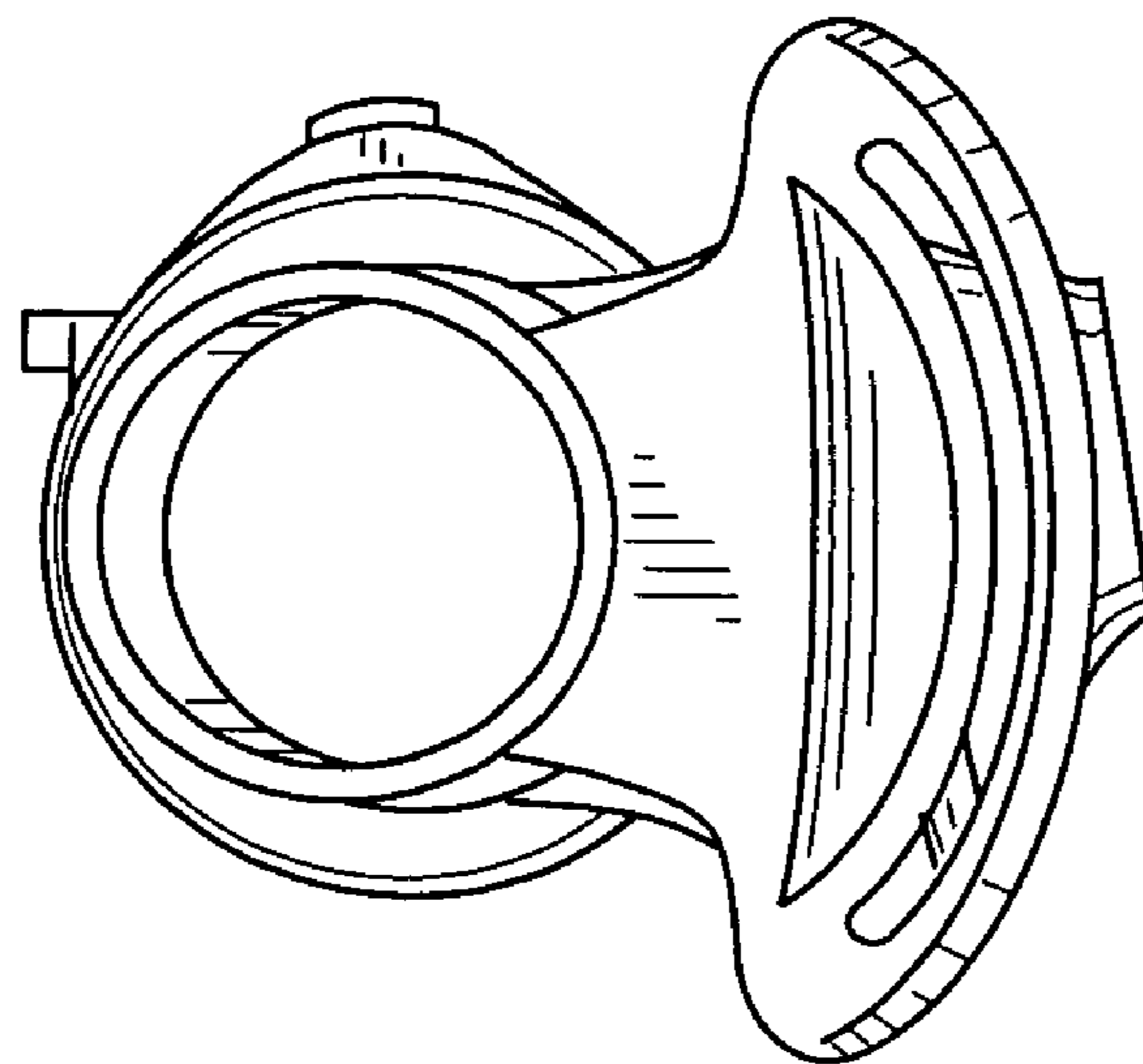


FIG. 7