



US00D557798S

(12) **United States Design Patent**
Greenhalgh et al.

(10) **Patent No.:** **US D557,798 S**

(45) **Date of Patent:** **** Dec. 18, 2007**

(54) **INHALER**

(75) Inventors: **Paul Greenhalgh**, Ickleton (GB);
Andrew Gordon Pocock, Ickleton
(GB); **Stuart Brian William Kay**,
Ickleton (GB); **Wayne O'Hara**,
Ickleton (GB)

(73) Assignee: **Valois S.A.S.**, Le Neubourg (FR)

(**) Term: **14 Years**

(21) Appl. No.: **29/263,494**

(22) Filed: **Jul. 25, 2006**

(30) **Foreign Application Priority Data**

Jan. 25, 2006 (EM) 000468491-0001

(51) **LOC (8) Cl.** **29-02**

(52) **U.S. Cl.** **D24/110**

(58) **Field of Classification Search** D24/110;
128/203.12, 203.15, 200.14, 200.18, 200.21,
128/200.23, 205.15, 205.21, 205.23
See application file for complete search history.

(56) **References Cited**

U.S. PATENT DOCUMENTS

D355,029 S * 1/1995 Kinneir et al. D24/110

D452,910 S * 1/2002 Braithwaite et al. D24/110
D455,208 S * 4/2002 Bacon et al. D24/110
D479,321 S * 9/2003 Lev et al. D24/110
2003/0172927 A1* 9/2003 Young et al. 128/203.15

* cited by examiner

Primary Examiner—Ian Simmons

Assistant Examiner—Christopher Lee

(74) *Attorney, Agent, or Firm*—Sughrue Mion, PLLC

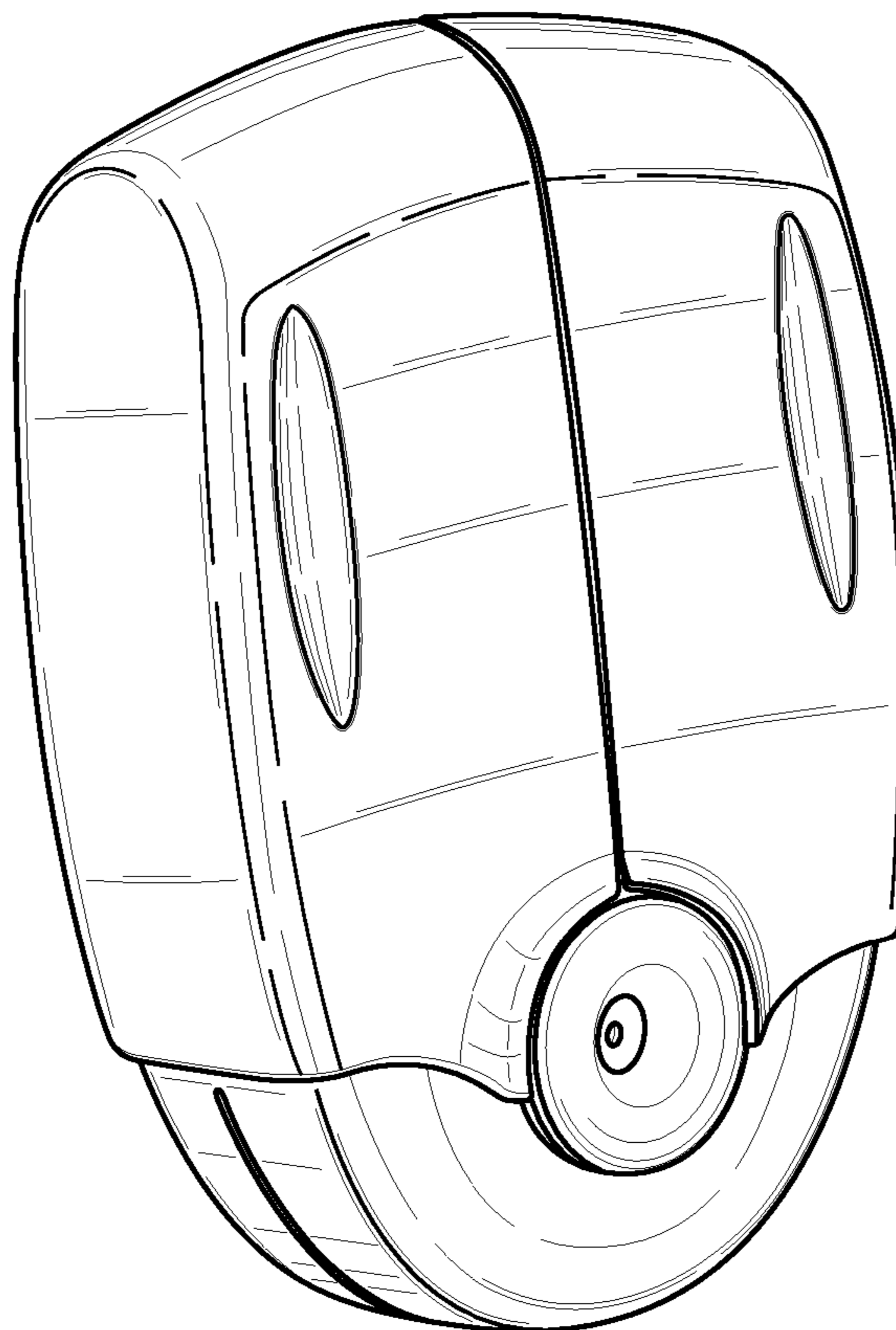
(57) **CLAIM**

The ornamental design for an inhaler, as shown and described.

DESCRIPTION

FIG. 1 is a perspective view of the top, front and left side of an inhaler in the closed position showing my new design; FIG. 2 is a front elevational view thereof; FIG. 3 is a rear elevational view thereof; FIG. 4 is a left side elevational view thereof; FIG. 5 is a right side elevational view thereof; FIG. 6 is a top plan view thereof; and, FIG. 7 is a bottom plan view thereof.

1 Claim, 4 Drawing Sheets



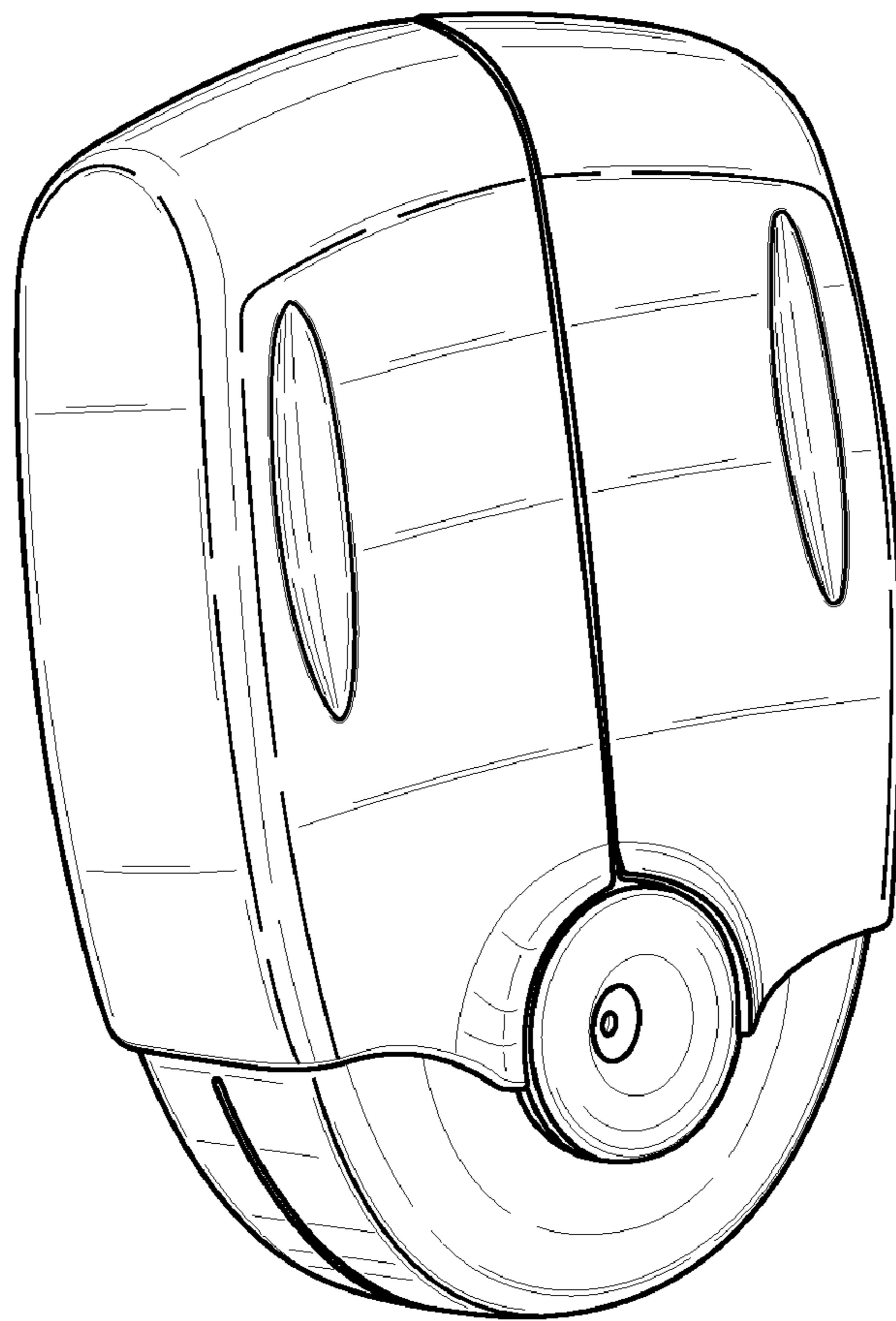


Fig. 1

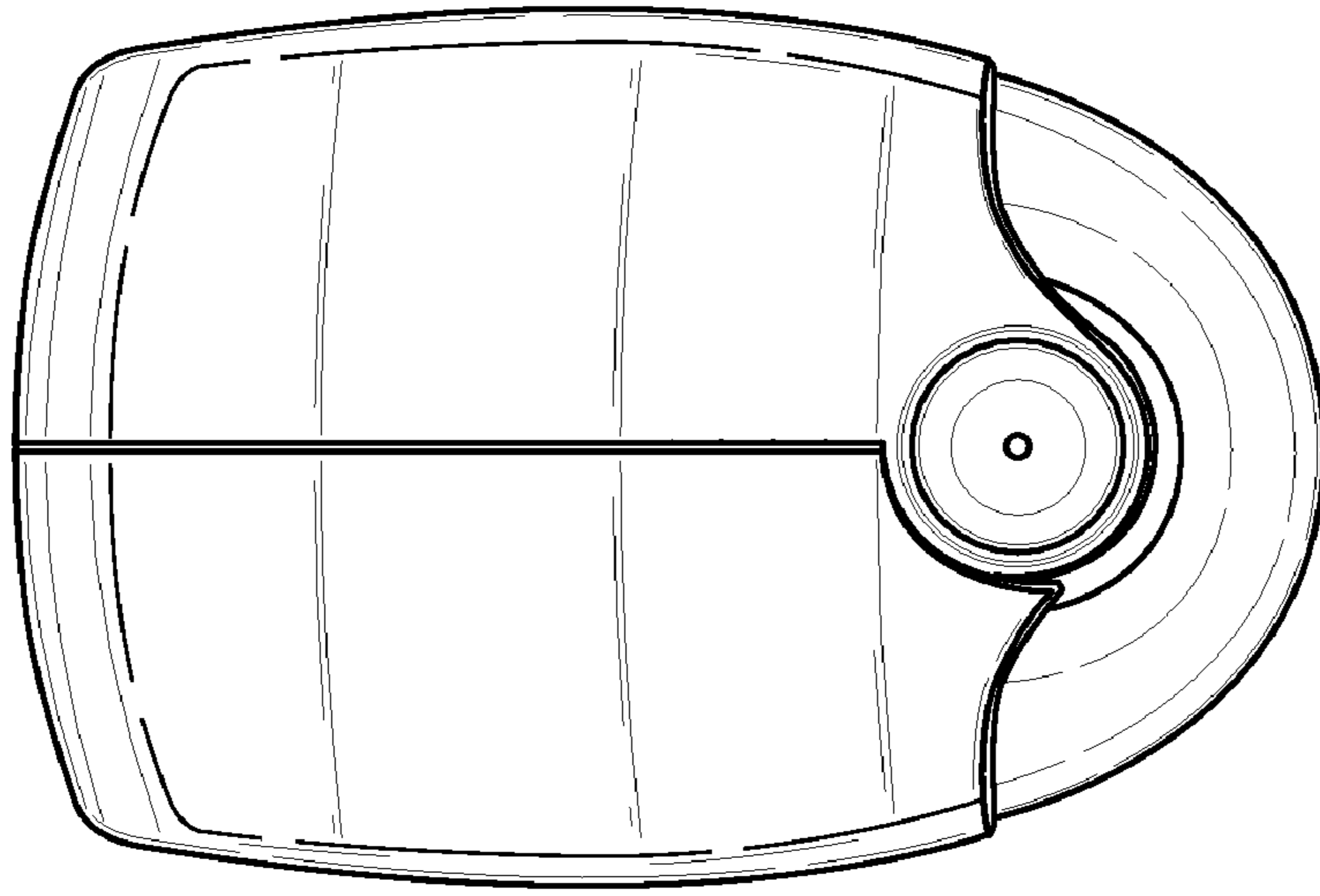


Fig. 3

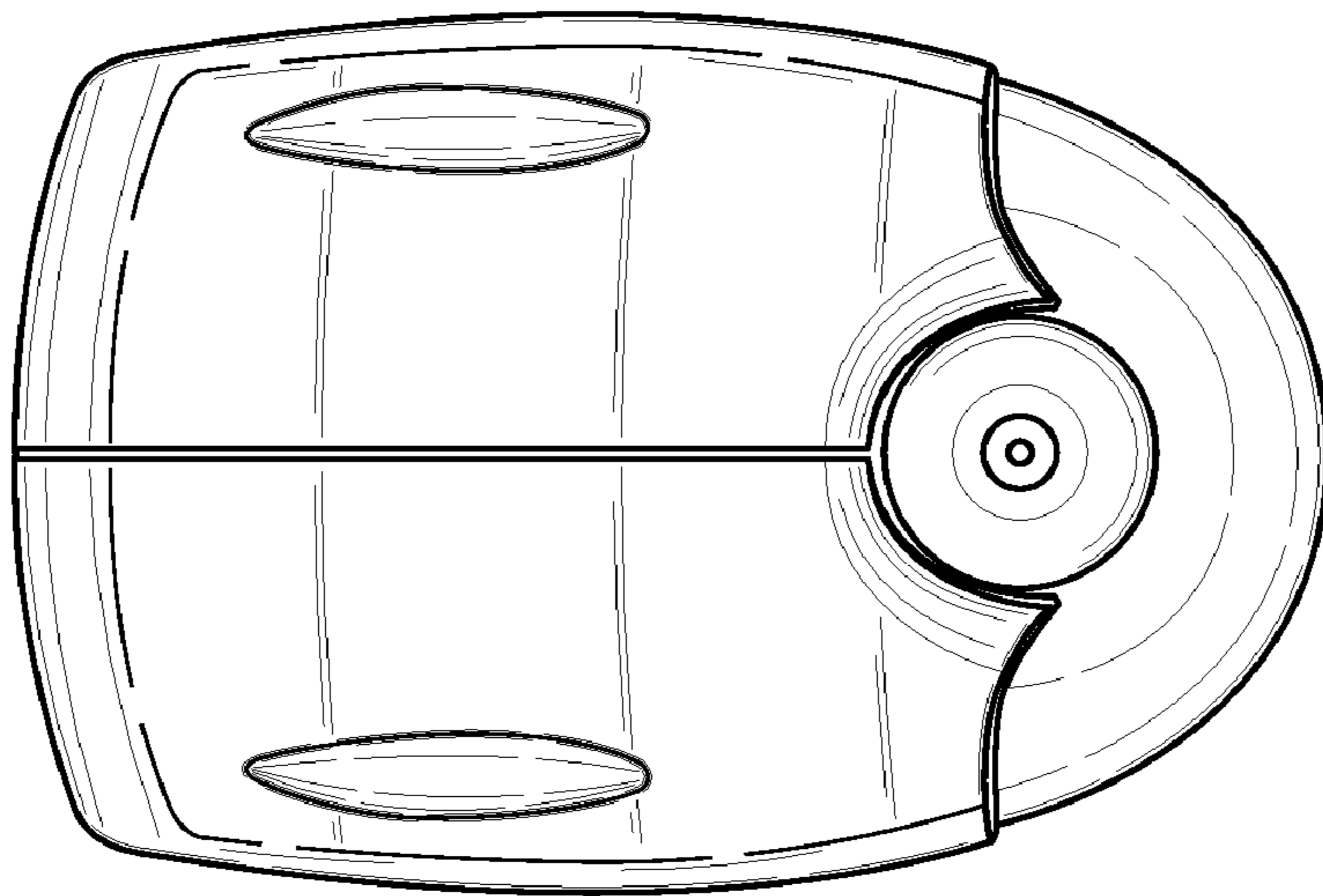


Fig. 2

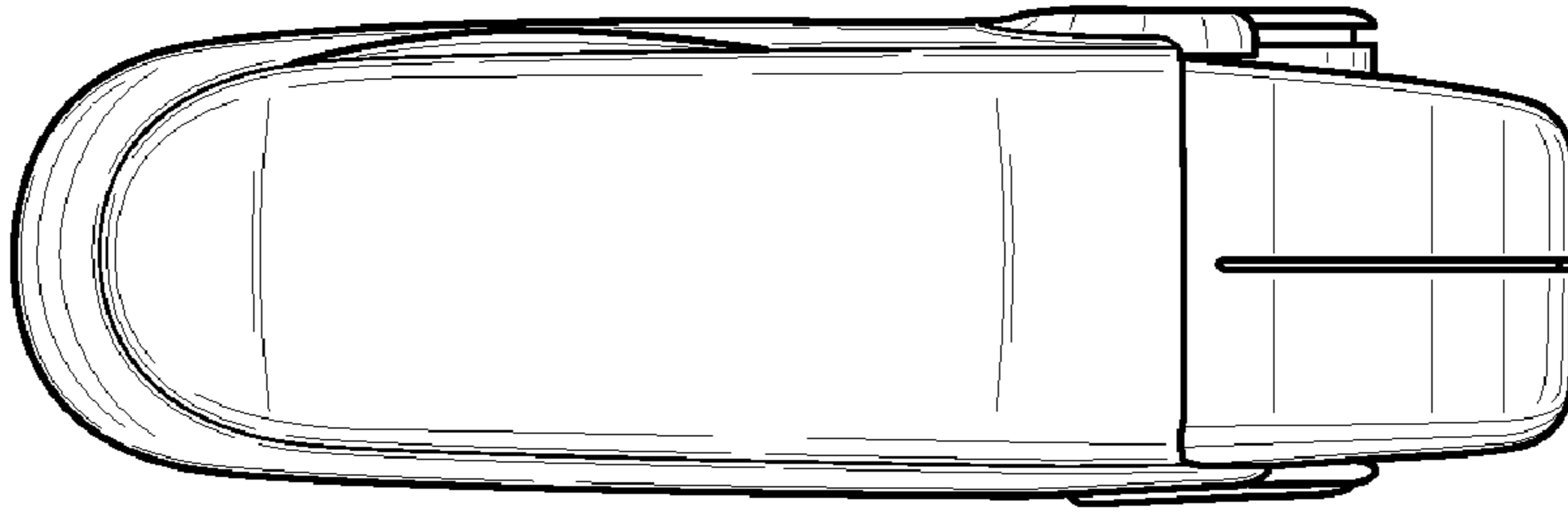


Fig. 5

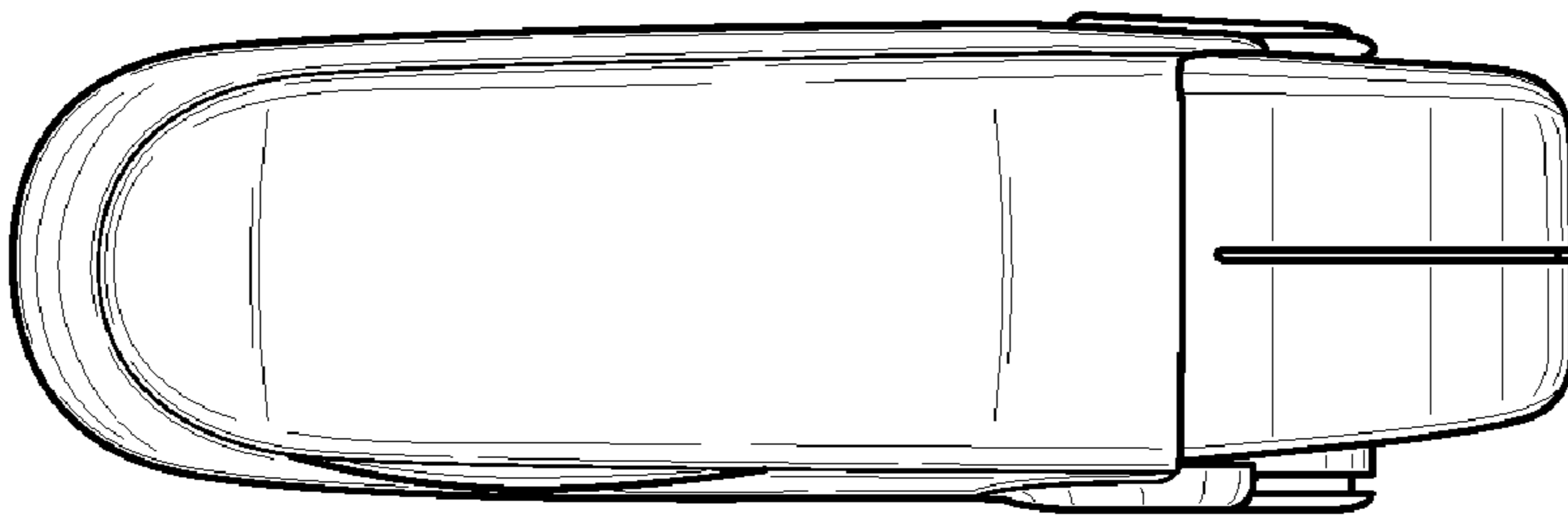


Fig. 4

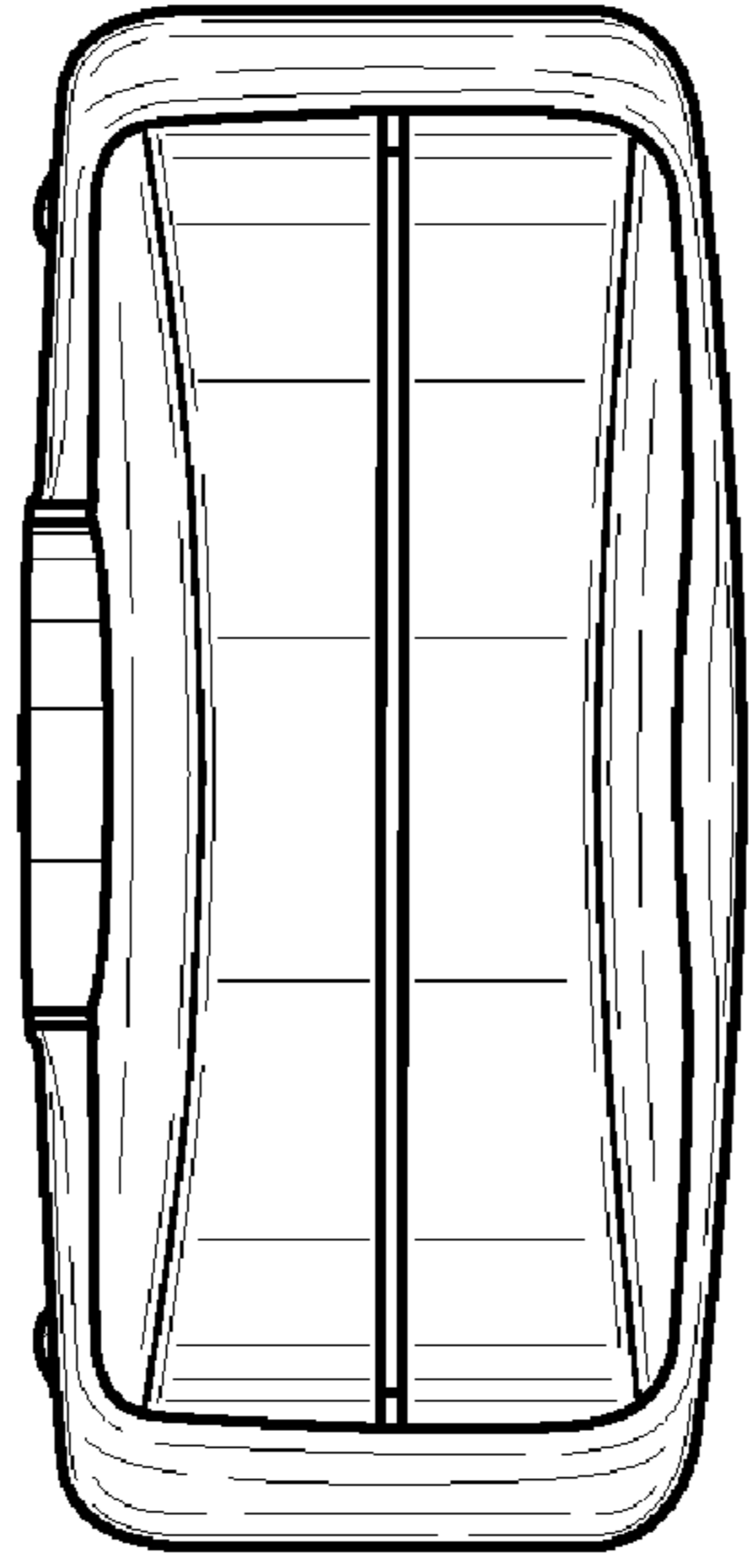


Fig. 7

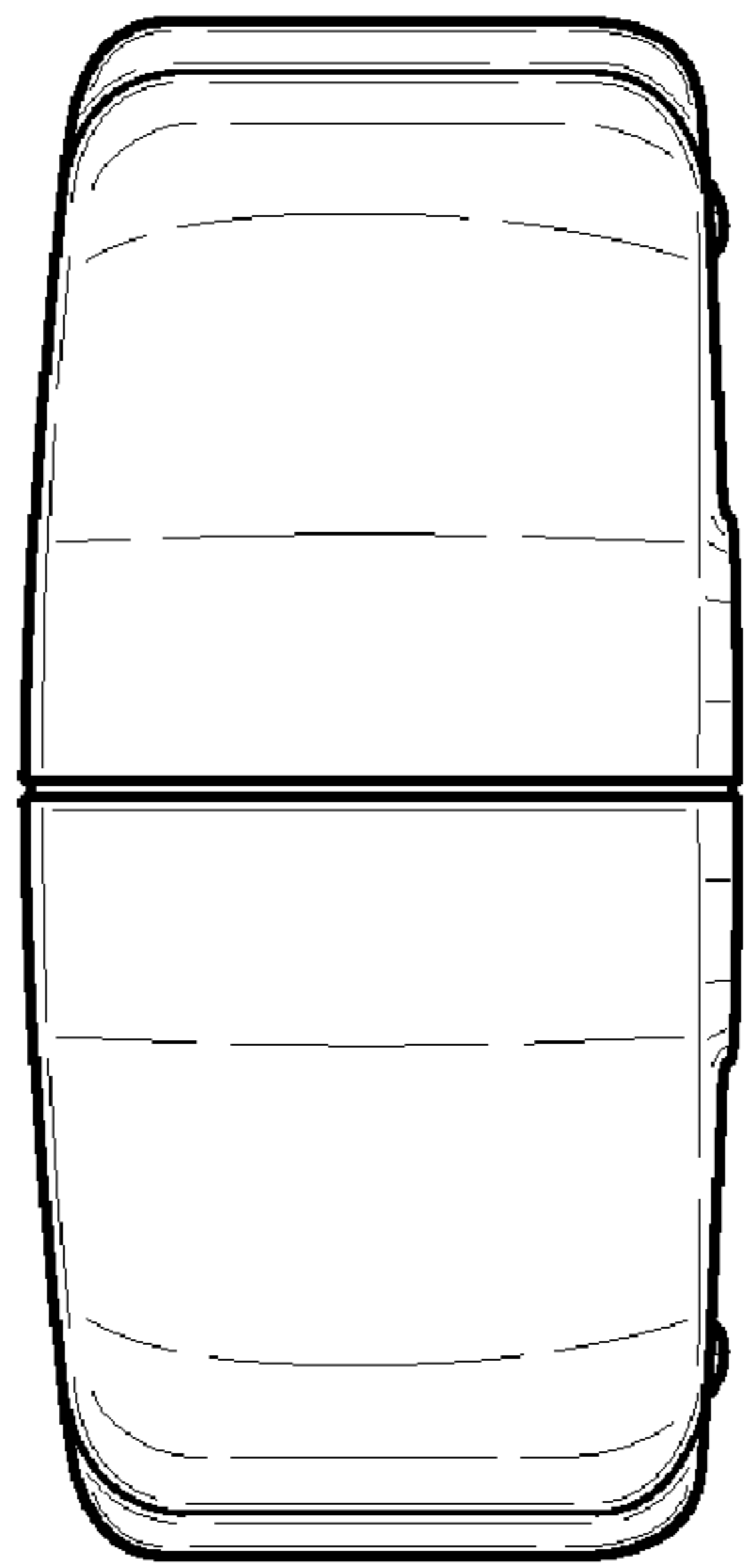


Fig. 6