



US00D557793S

(12) **United States Design Patent**
Curtin

(10) **Patent No.:** **US D557,793 S**

(45) **Date of Patent:** **** Dec. 18, 2007**

(54) **CEILING FAN HOUSING**

(75) Inventor: **Brett Curtin**, Scottsdale, AZ (US)

(73) Assignee: **Craftmade International, Inc.**,
Coppell, TX (US)

(**) Term: **14 Years**

(21) Appl. No.: **29/285,441**

(22) Filed: **Mar. 29, 2007**

(51) **LOC (8) Cl.** **23-04**

(52) **U.S. Cl.** **D23/411**

(58) **Field of Classification Search** D23/411,
D23/413, 377, 379, 385; 416/5; D26/59,
D26/51, 72, 81-86, 88

See application file for complete search history.

(56) **References Cited**

U.S. PATENT DOCUMENTS

D415,269 S *	10/1999	Wang	D23/377
D418,914 S *	1/2000	Zuege	D23/411
D421,799 S *	3/2000	Zuege	D23/411
D522,646 S *	6/2006	Wang	D23/411
D530,440 S *	10/2006	Wang	D26/59
D551,339 S *	9/2007	Shurtleff	D23/411

* cited by examiner

Primary Examiner—Lisa Lichtenstein

(74) *Attorney, Agent, or Firm*—Munsch, Hardt, Kopf & Harr P.C.

(57) **CLAIM**

The ornamental design for a ceiling fan housing, as shown and described.

DESCRIPTION

FIG. 1 is a perspective view of the ceiling fan housing showing my new design;

FIG. 2 front elevational view thereof;

FIG. 3 is a rear elevational view thereof;

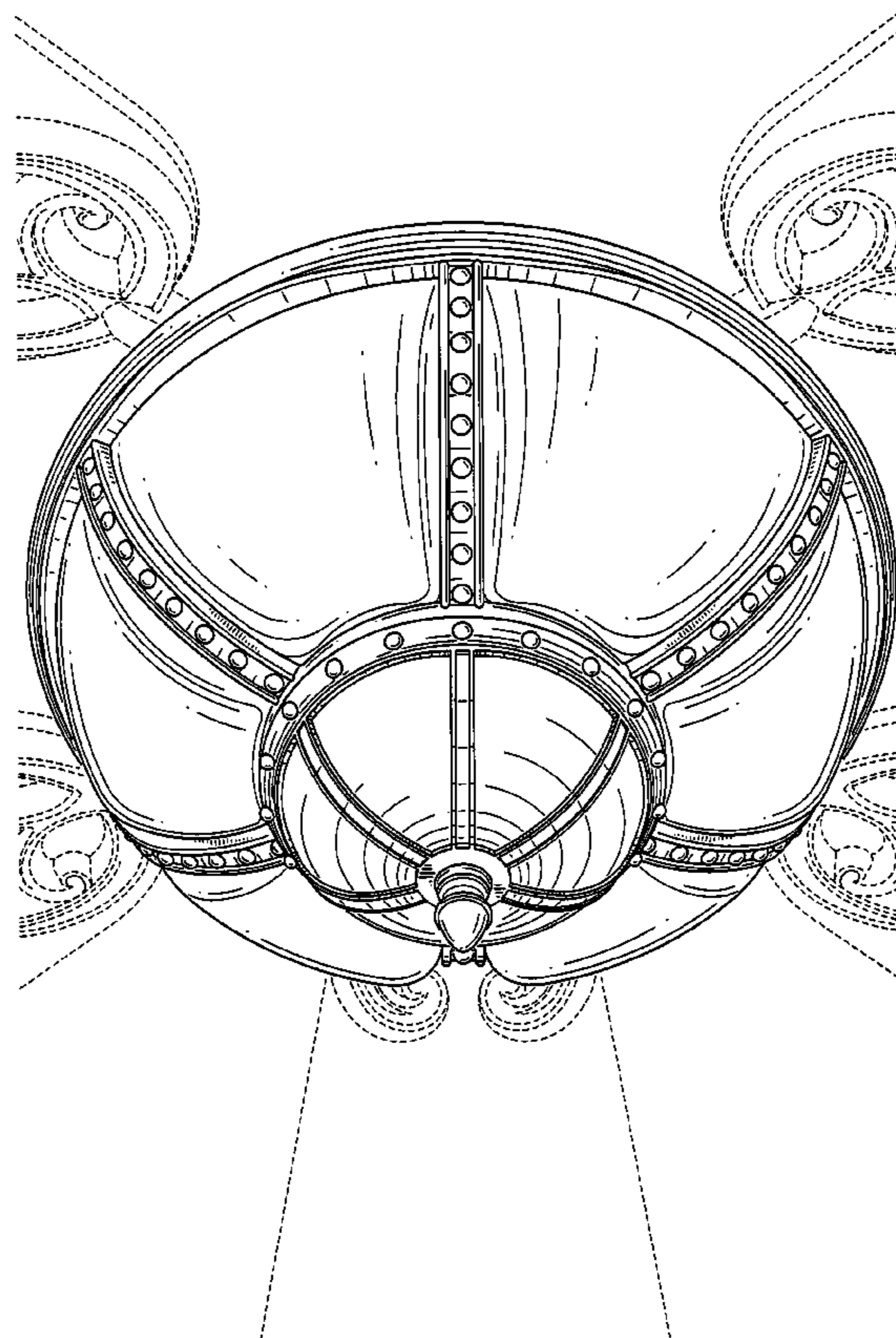
FIG. 4 is a right side elevational view thereof, the left side elevational view being a mirror image;

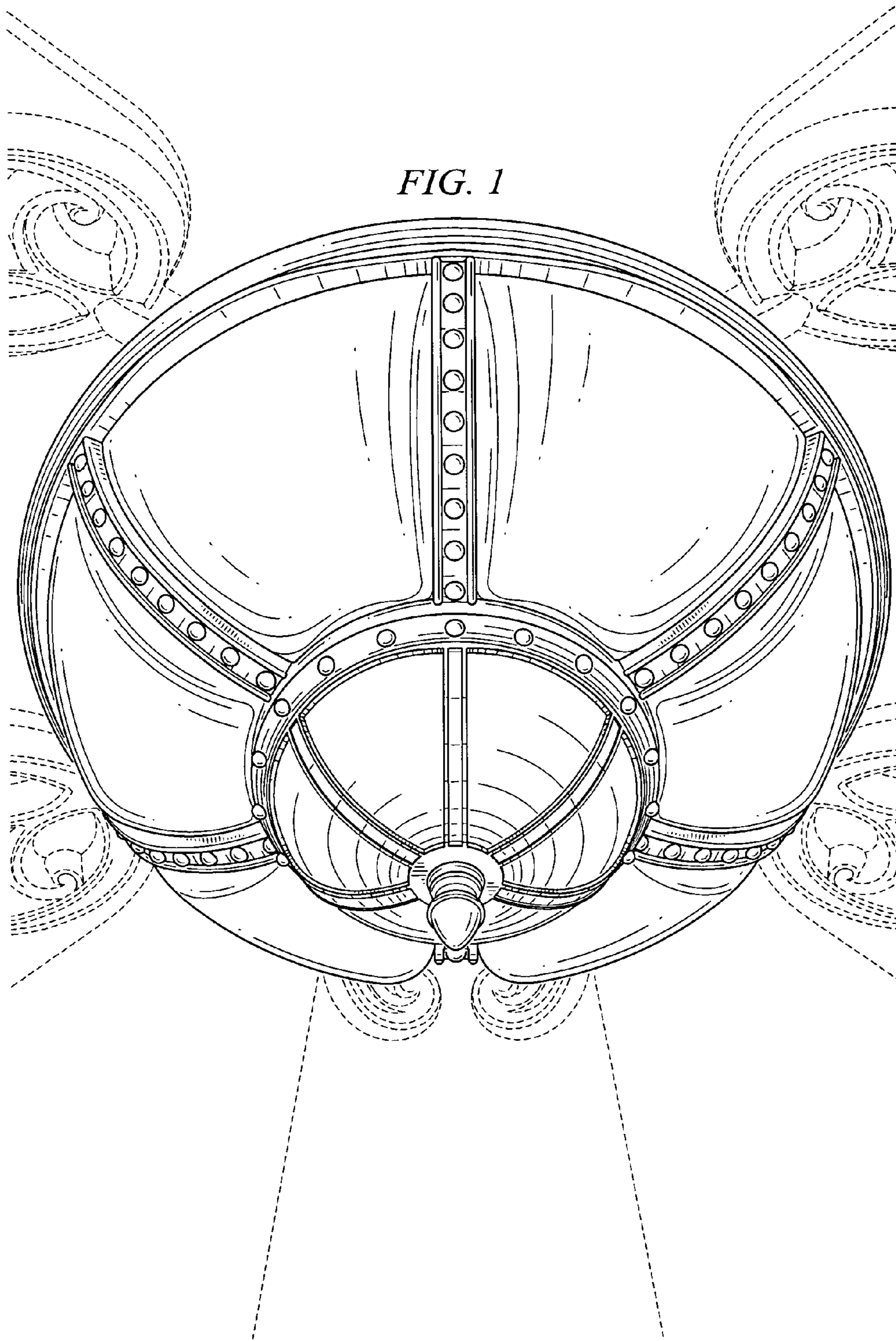
FIG. 5 is a bottom plan view thereof; and,

FIG. 6 is a top plan view thereof.

The broken line showing of blade irons and fan blades in FIG. 1 and opening for the support rod is included for the purpose of illustrating environmental structure and forms no part of the claimed design.

1 Claim, 5 Drawing Sheets





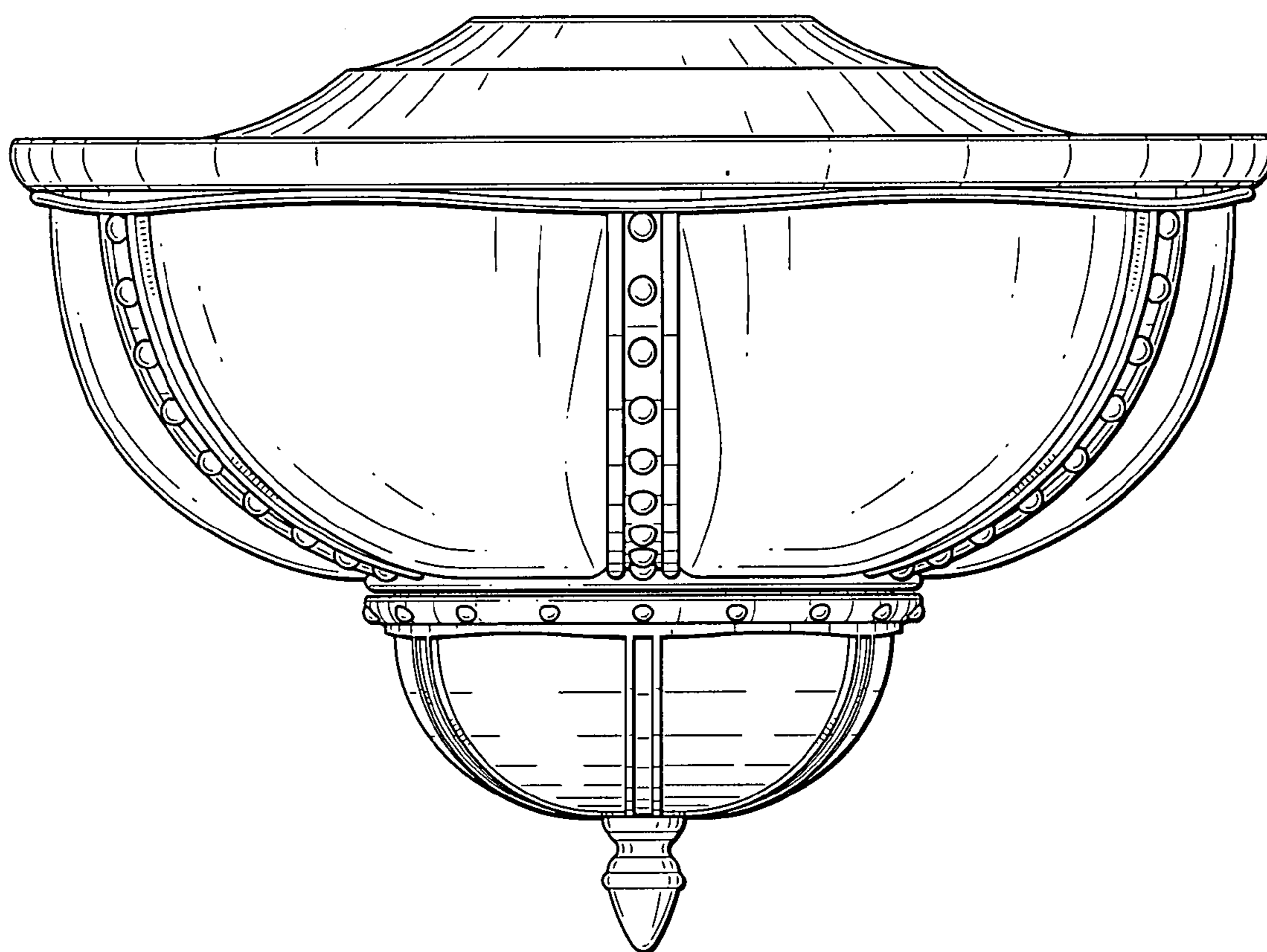


FIG. 2

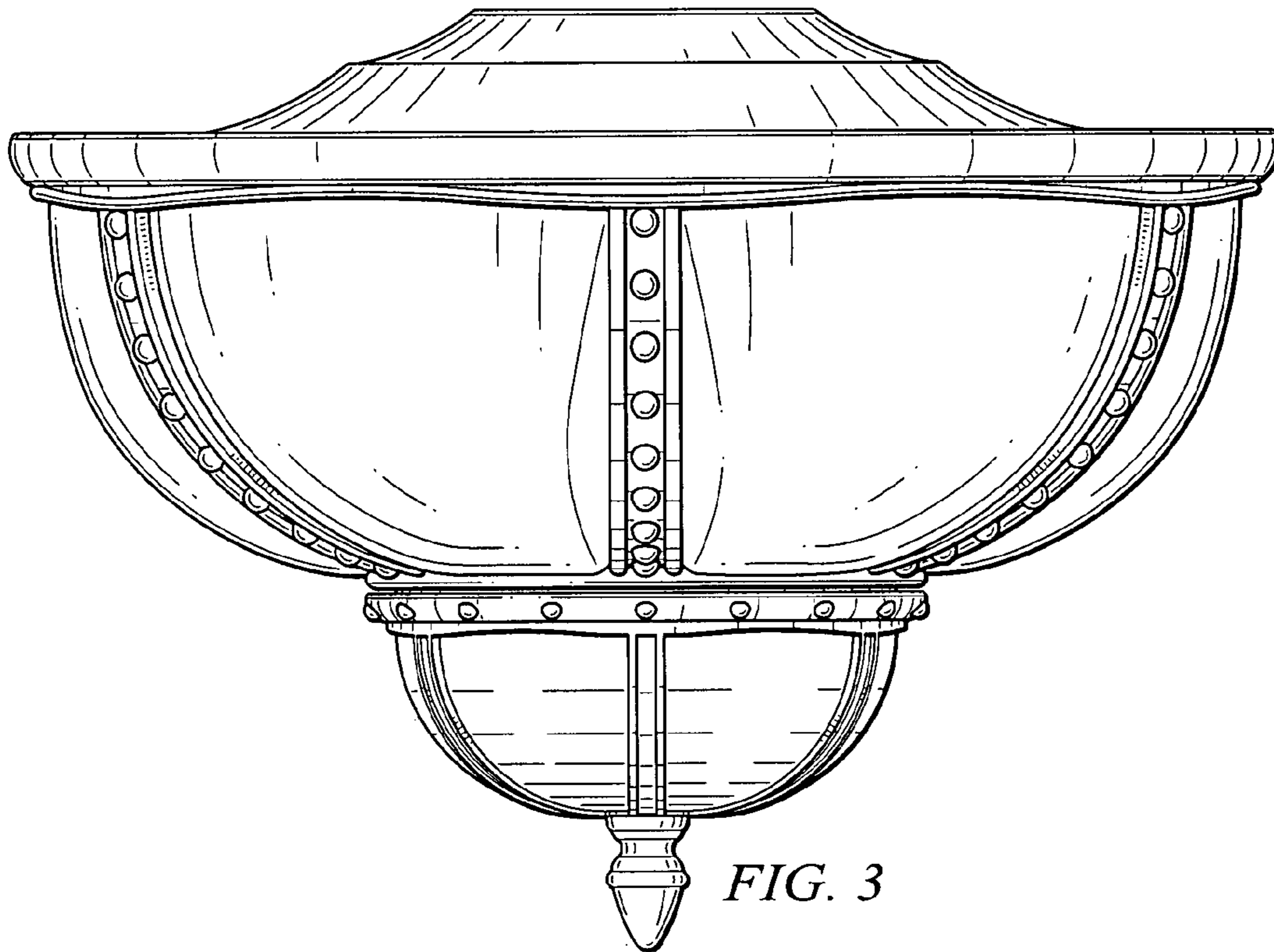


FIG. 3

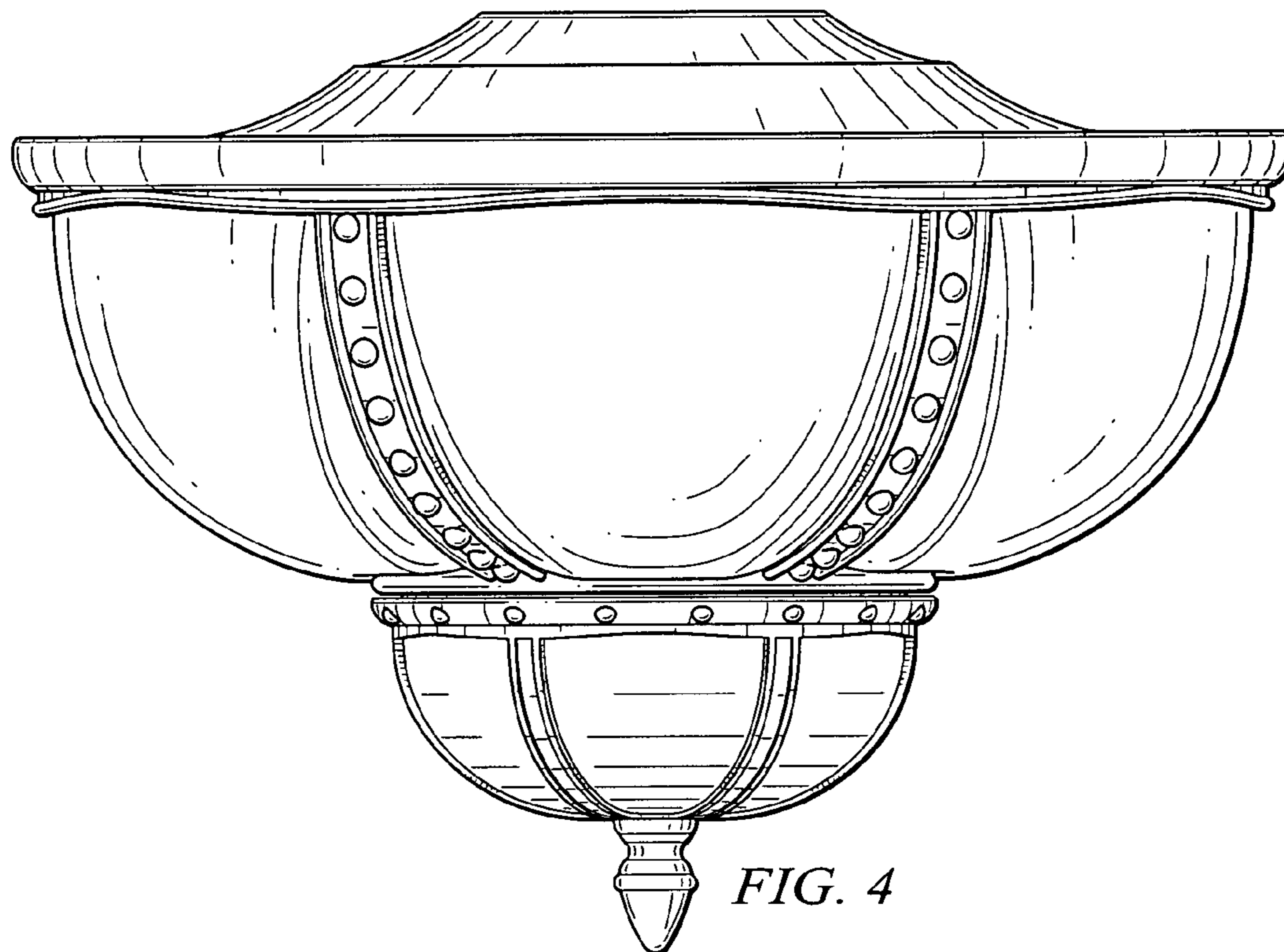


FIG. 4

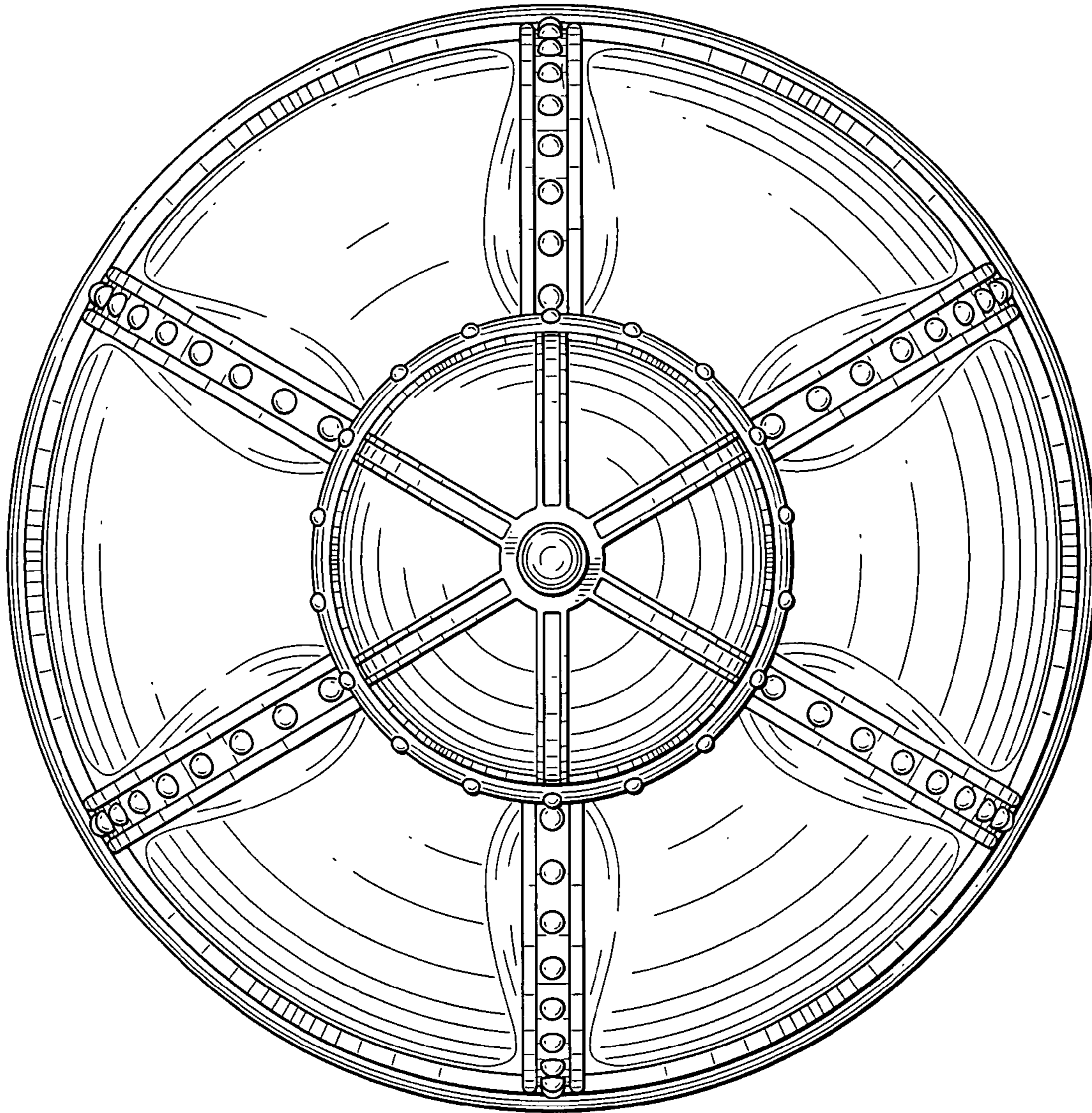


FIG. 5

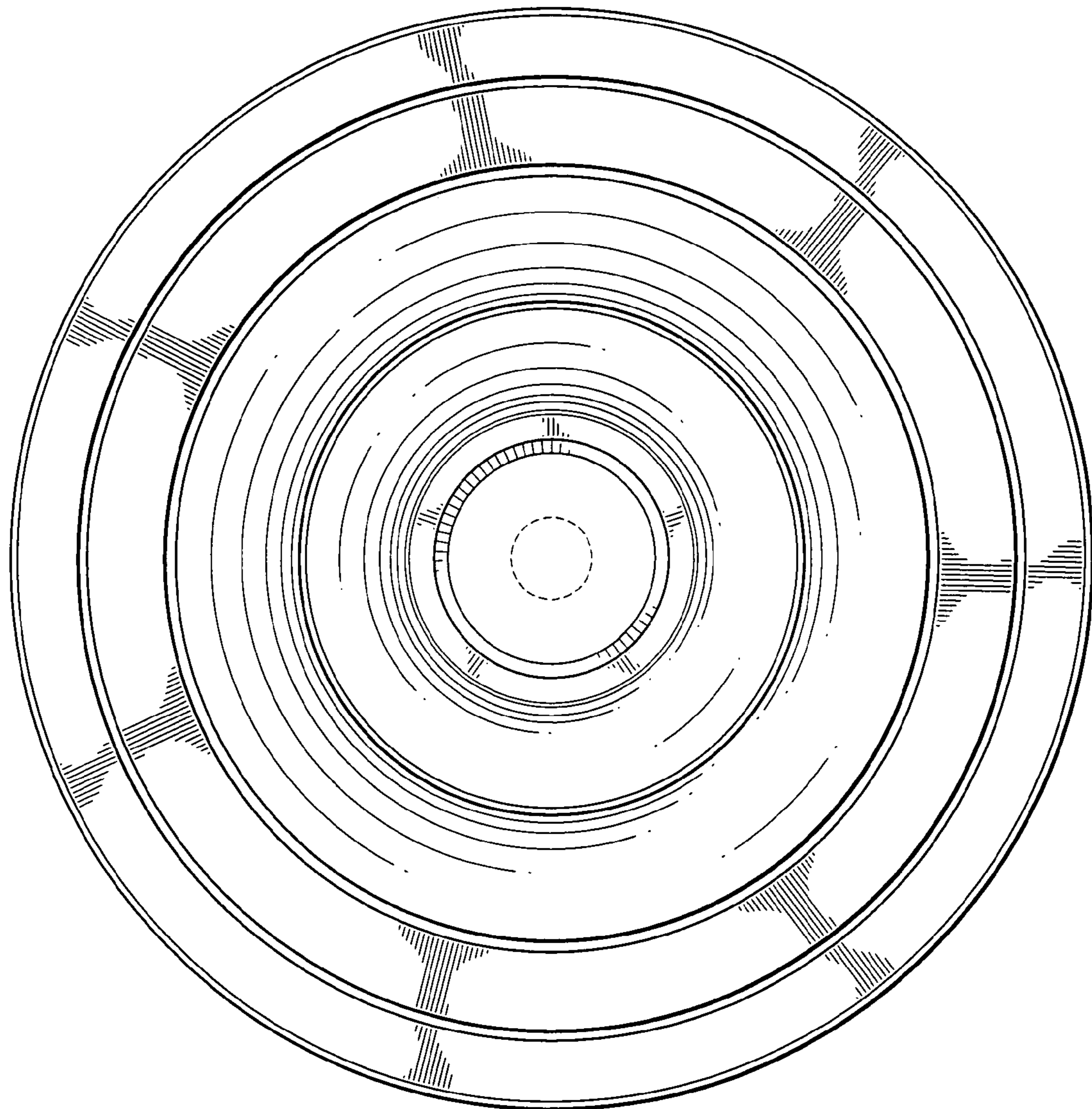


FIG. 6