



US00D557792S

(12) **United States Design Patent**
Cox

(10) **Patent No.:** **US D557,792 S**
(45) **Date of Patent:** **** Dec. 18, 2007**

(54) **CEILING FAN MOTOR HOUSING COMPONENT**

(75) Inventor: **Anna Lee Cox**, Birmingham, AL (US)

(73) Assignee: **Hunter Fan Company**, Memphis, TN (US)

(**) Term: **14 Years**

(21) Appl. No.: **29/272,378**

(22) Filed: **Feb. 7, 2007**

(51) **LOC (8) Cl.** **23-04**

(52) **U.S. Cl.** **D23/411**

(58) **Field of Classification Search** D23/411,
D23/413, 377, 379, 385; 416/5; D26/59,
D26/51, 72, 81-86, 88
See application file for complete search history.

(56) **References Cited**

U.S. PATENT DOCUMENTS

D523,548 S * 6/2006 Hidalgo et al. D23/411

OTHER PUBLICATIONS

2002 Casablanca Fan Co. Product Catalog p. 51, Wailea Fan.
2002 Casablanca Fan Co. Product Catalog p. 37, Campana Fan.
2002 Casablanca Fan Co. Product Catalog p. 27, Aegean Fan.
Hunter Prestige 2004 Product Catalog pp. 24 and 25, Etruscan Fan.

* cited by examiner

Primary Examiner—Lisa Lichtenstein

(74) *Attorney, Agent, or Firm*—Baker Donelson

(57) **CLAIM**

The ornamental design for a ceiling fan motor housing component, as shown and described.

DESCRIPTION

FIG. 1 is a perspective view of a ceiling fan motor housing component showing my new design.

FIG. 2 is a front view thereof, the rear view, right side view and left side view being the same thereof.

FIG. 3 is a top view thereof; and,

FIG. 4 is a bottom view thereof.

1 Claim, 2 Drawing Sheets

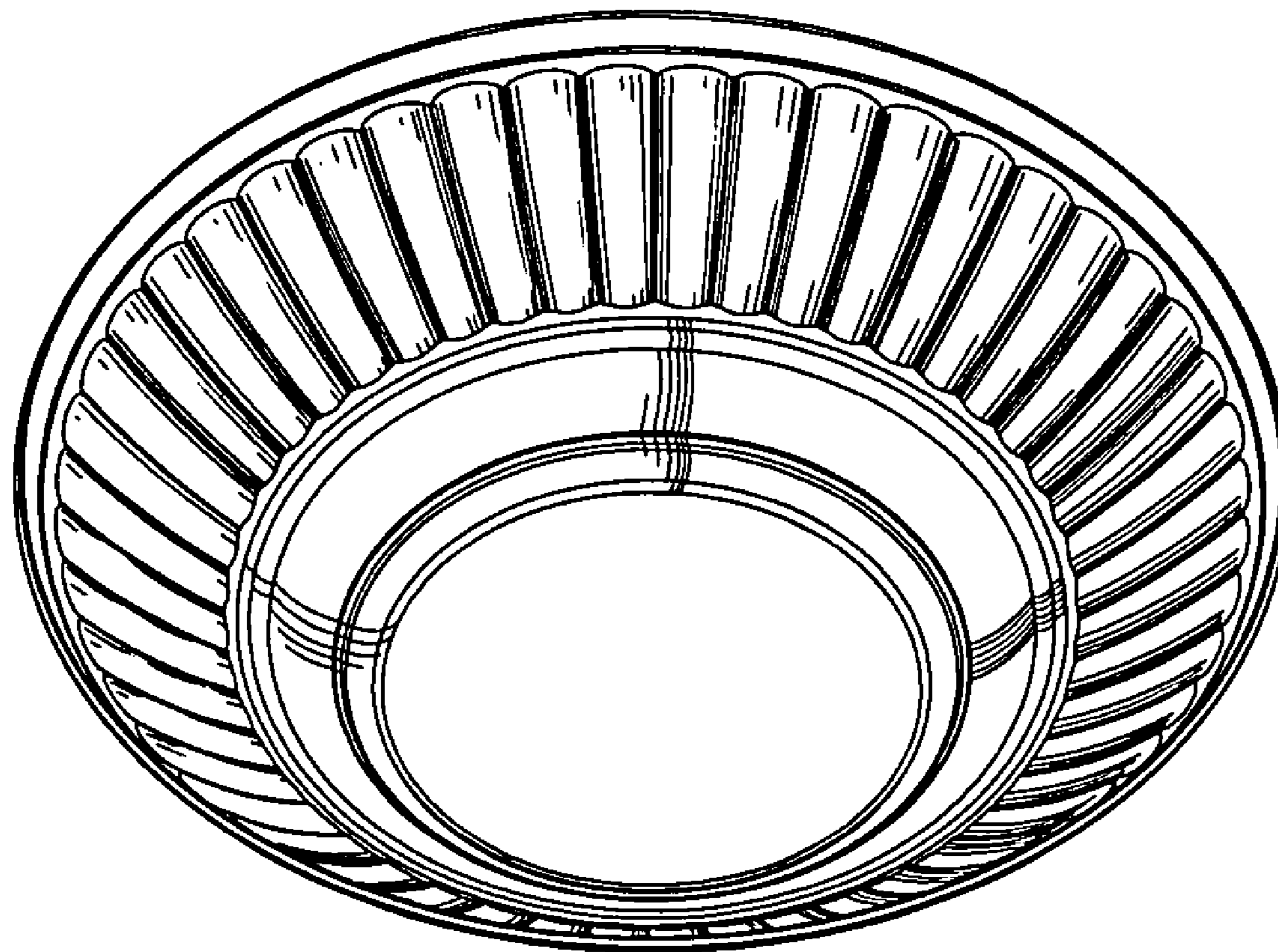


Fig. 1

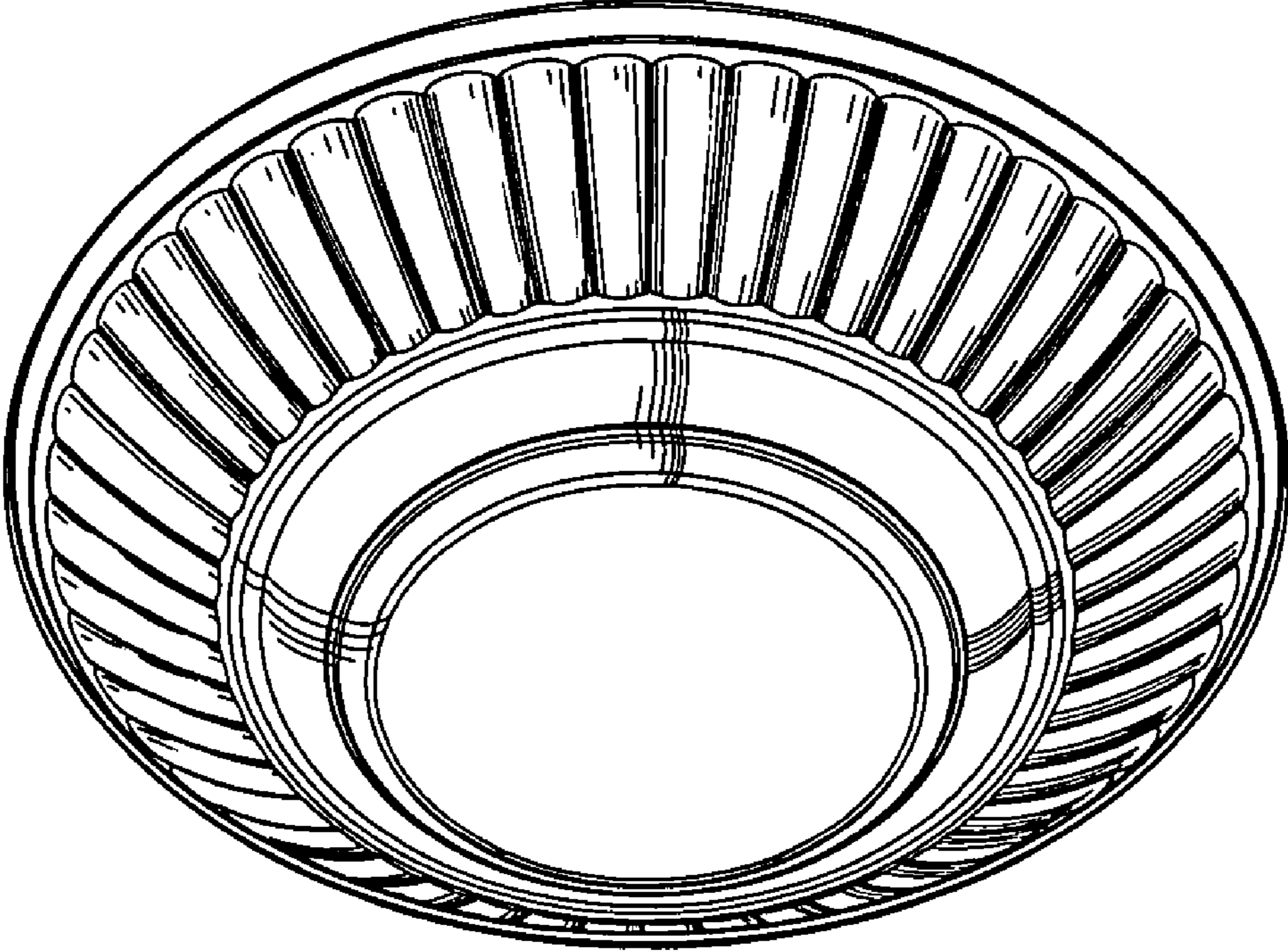


Fig. 2

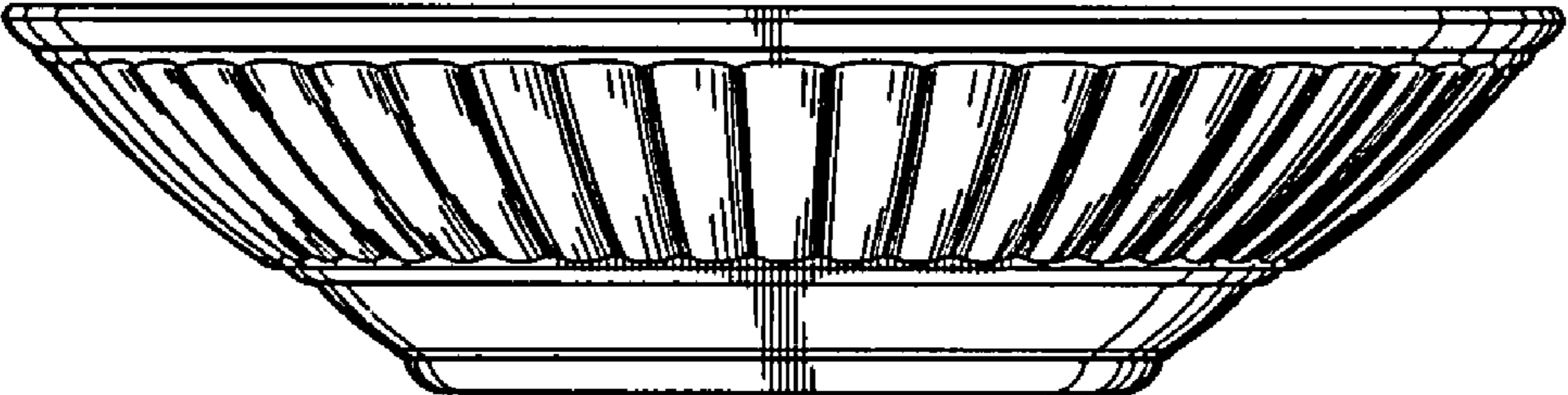


Fig. 4

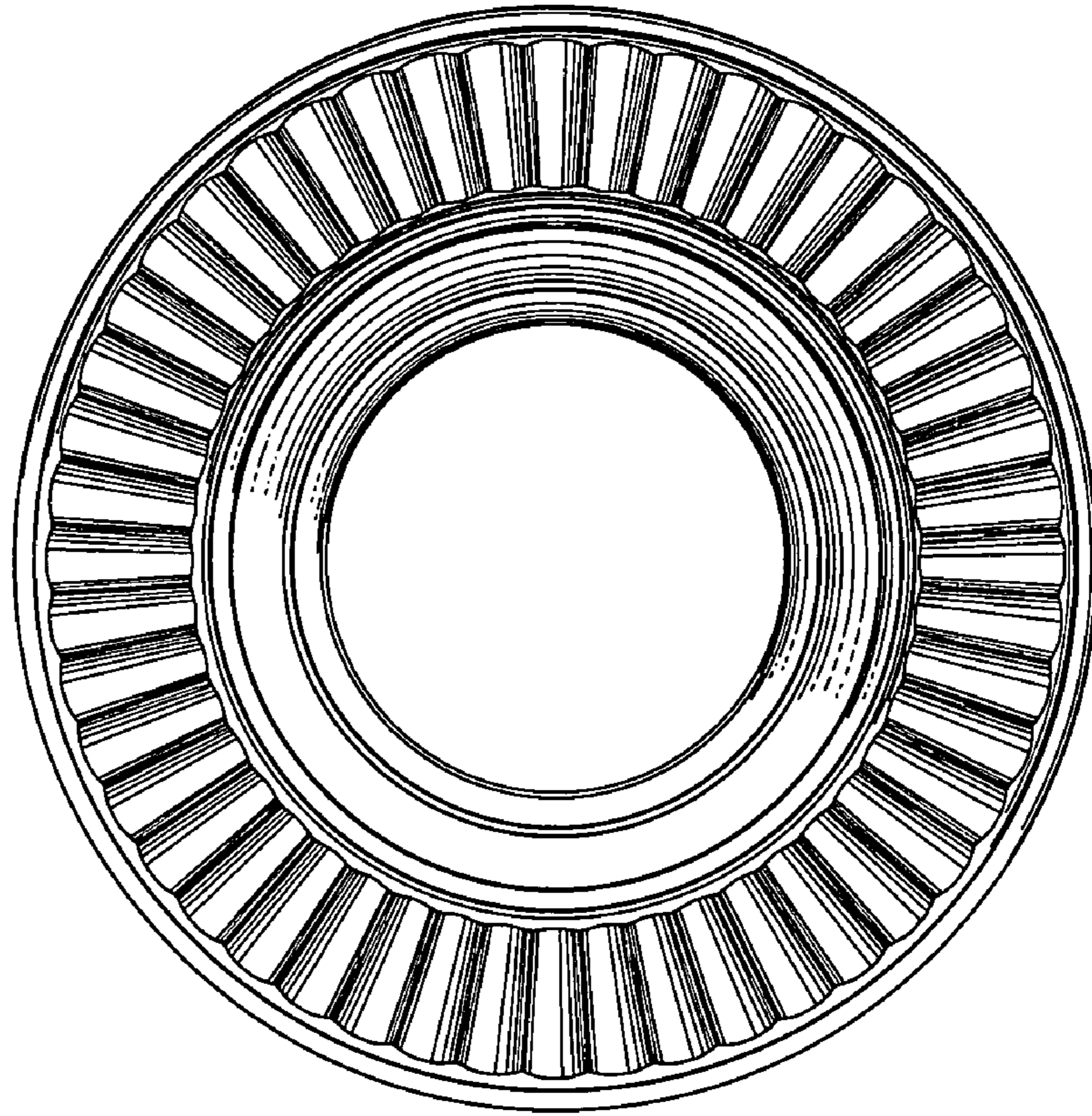


Fig. 3

