

US00D557791S

(12) **United States Design Patent**
Cox

(10) **Patent No.:** **US D557,791 S**

(45) **Date of Patent:** **** Dec. 18, 2007**

(54) **CEILING FAN MOTOR HOUSING**

(75) Inventor: **Anna Lee Cox**, Birmingham, AL (US)

(73) Assignee: **Hunter Fan Company**, Memphis, TN (US)

(**) Term: **14 Years**

(21) Appl. No.: **29/272,374**

(22) Filed: **Feb. 7, 2007**

(51) **LOC (8) Cl.** **23-04**

(52) **U.S. Cl.** **D23/411**

(58) **Field of Classification Search** D23/411,
D23/413, 377, 379, 385; 416/5; D26/59,
D26/51, 72, 81-86, 88

See application file for complete search history.

(56) **References Cited**

U.S. PATENT DOCUMENTS

6,059,531 A	5/2000	Tai
D475,782 S	6/2003	Hidalgo
D478,654 S	8/2003	Hidalgo

D478,974 S	8/2003	Hidalgo	
D478,980 S	8/2003	Hidalgo	
D519,628 S *	4/2006	Young D23/411
D536,438 S *	2/2007	Curtin D23/411

* cited by examiner

Primary Examiner—Lisa Lichtenstein

(74) *Attorney, Agent, or Firm*—Baker Donelson

(57) **CLAIM**

The ornamental design for a ceiling fan motor housing, as shown and described.

DESCRIPTION

FIG. 1 is a perspective view of a ceiling fan motor housing showing my new design.

FIG. 2 is a front view thereof, the rear view, right side view and left side view being the same thereof.

FIG. 3 is a bottom view thereof; and,

FIG. 4 is a top view thereof.

1 Claim, 2 Drawing Sheets

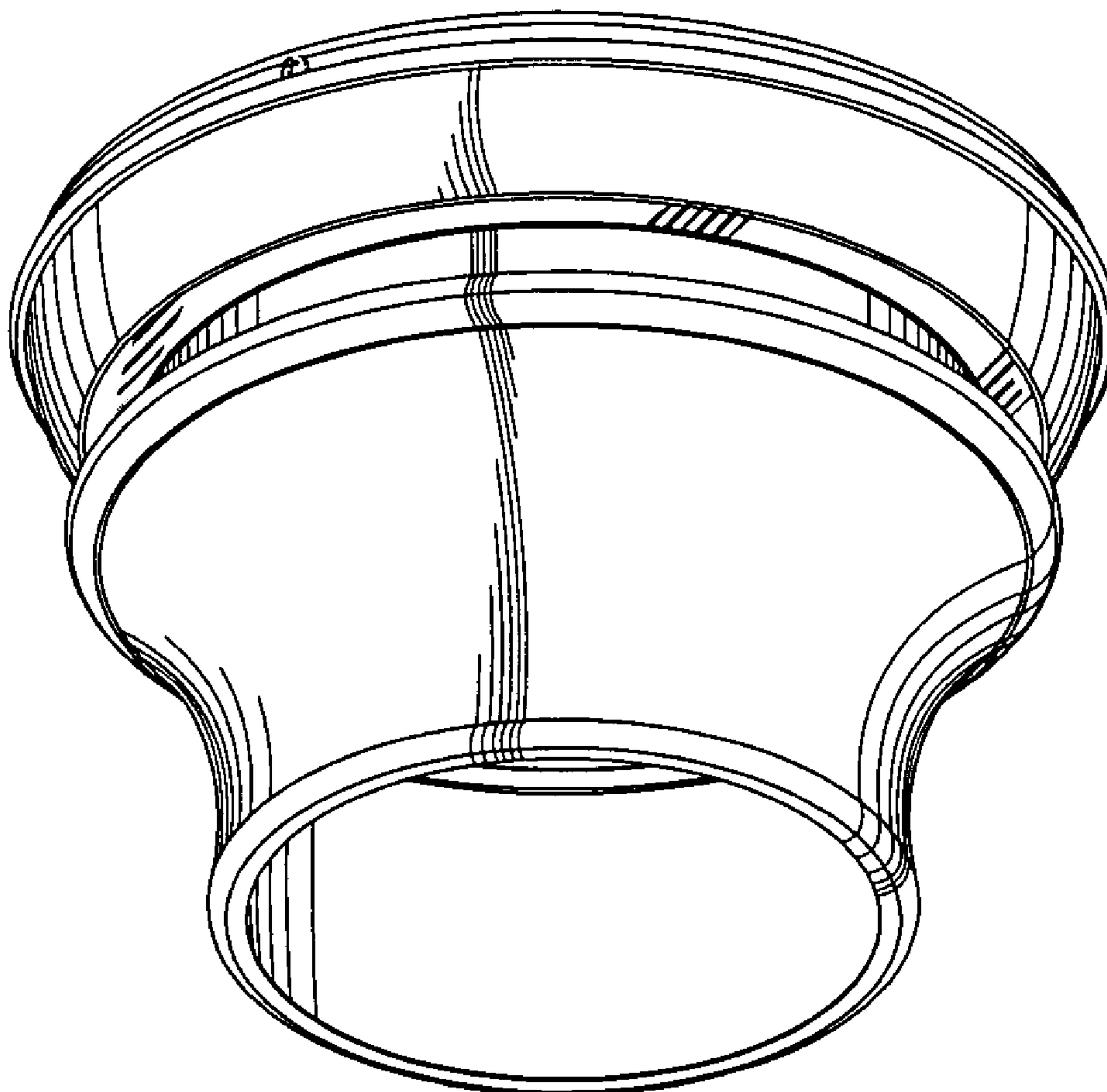


Fig. 1

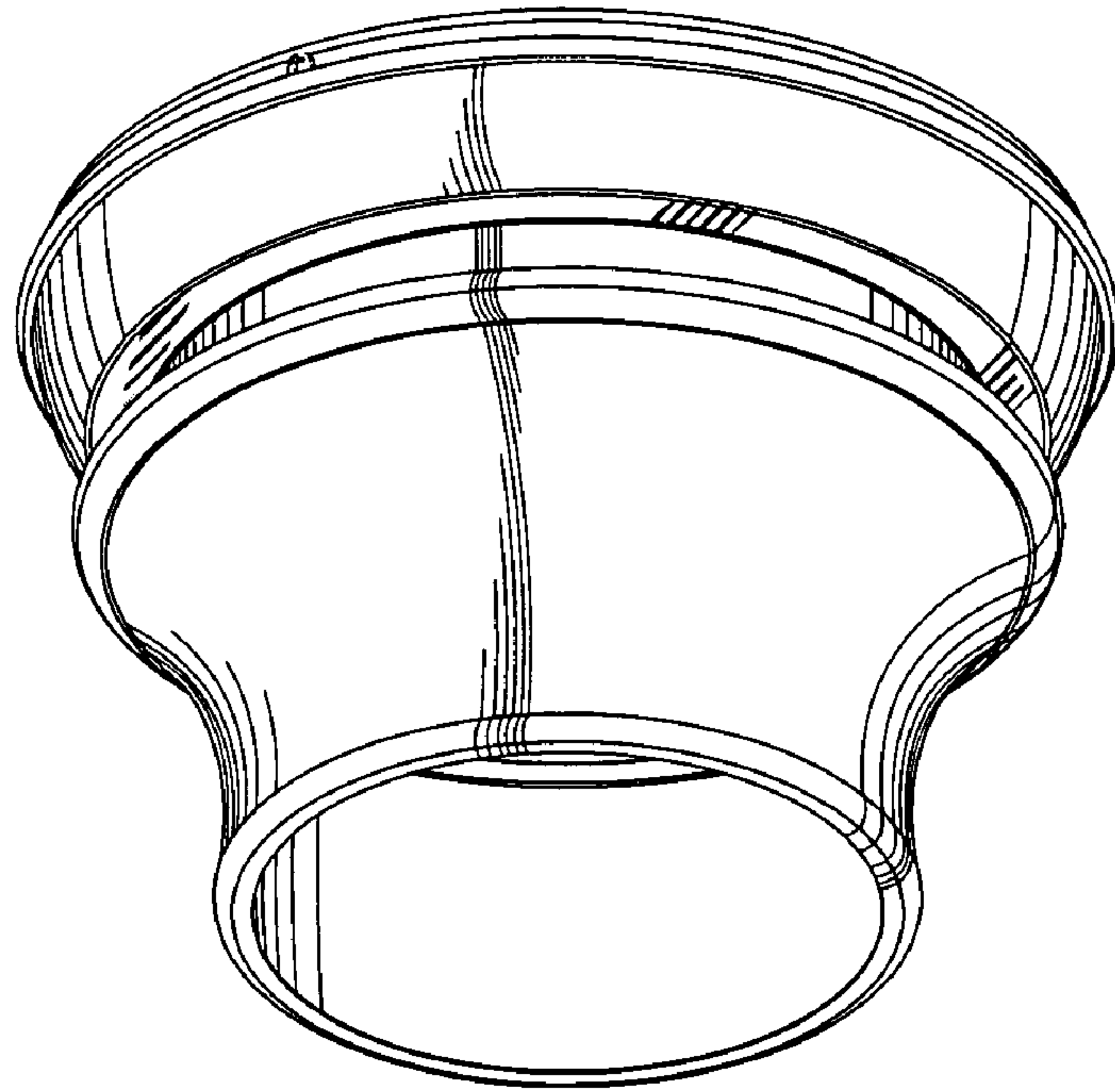


Fig. 2

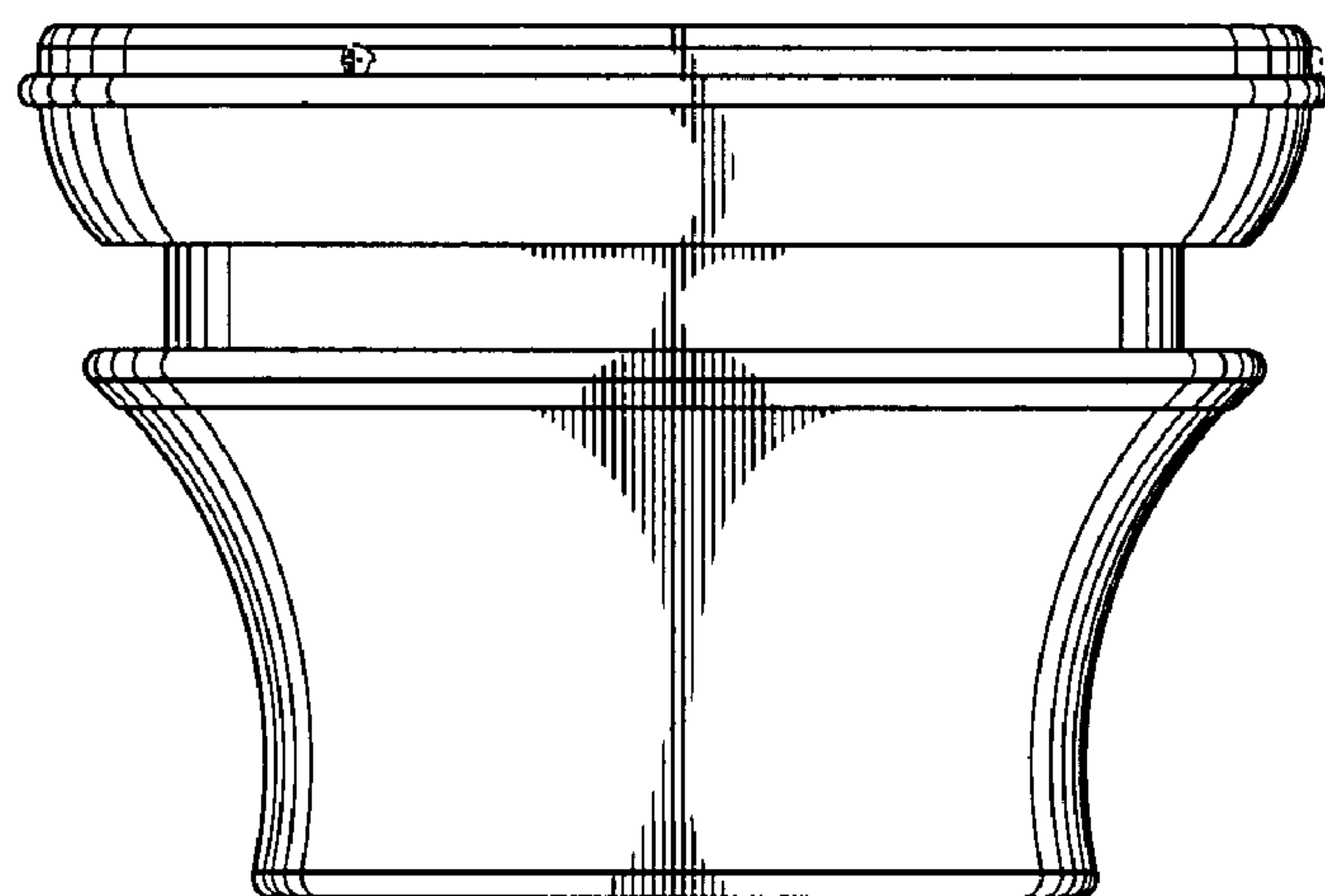


Fig. 3

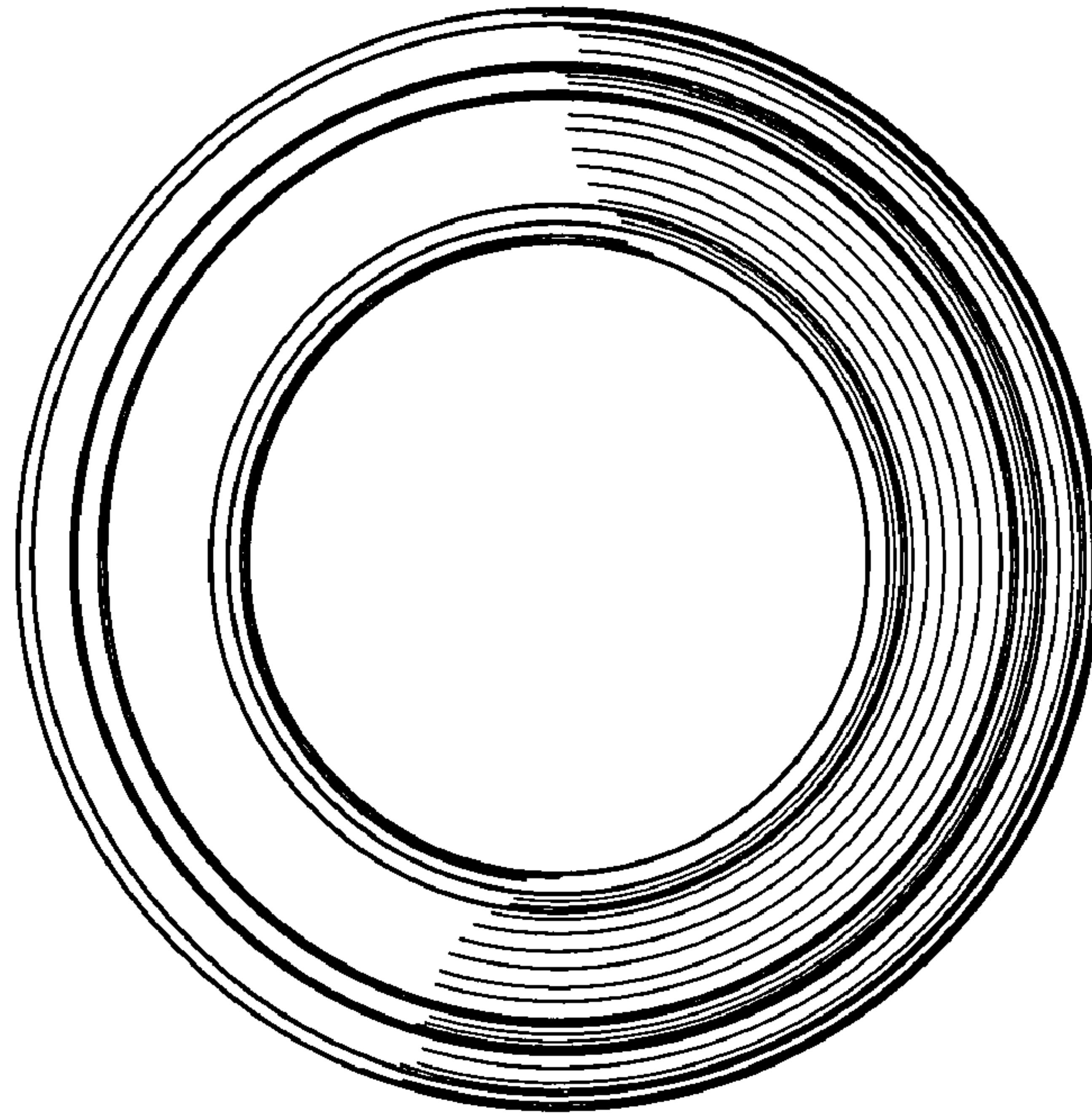


Fig. 4

