

US00D557789S

(12) **United States Design Patent**
Pickett

(10) **Patent No.:** **US D557,789 S**

(45) **Date of Patent:** **** *Dec. 18, 2007**

(54) **COMBINED CEILING FAN HOUSING AND LIGHT KIT**

(76) Inventor: **Mark Pickett**, 1419 E. Palm St., Altadena, CA (US) 91001

(*) Notice: This patent is subject to a terminal disclaimer.

(**) Term: **14 Years**

(21) Appl. No.: **29/260,880**

(22) Filed: **Jun. 2, 2006**

(51) **LOC (8) Cl.** **23-04**

(52) **U.S. Cl.** **D23/411**

(58) **Field of Classification Search** D23/411,
D23/413, 377, 379, 385; 416/5; D26/59,
D26/51, 72, 80-86, 73

See application file for complete search history.

(56) **References Cited**

U.S. PATENT DOCUMENTS

D451,995 S * 12/2001 Liu D23/411

* cited by examiner

Primary Examiner—Lisa Lichtenstein

(74) *Attorney, Agent, or Firm*—Parsons & Goltry; Michael W. Goltry; Robert A. Parsons

(57) **CLAIM**

The ornamental design for a combined ceiling fan housing and light kit, as shown and described.

DESCRIPTION

FIG. 1 is a top perspective view of a combined ceiling fan housing and light kit showing my new design;

FIG. 2 is a bottom perspective view thereof;

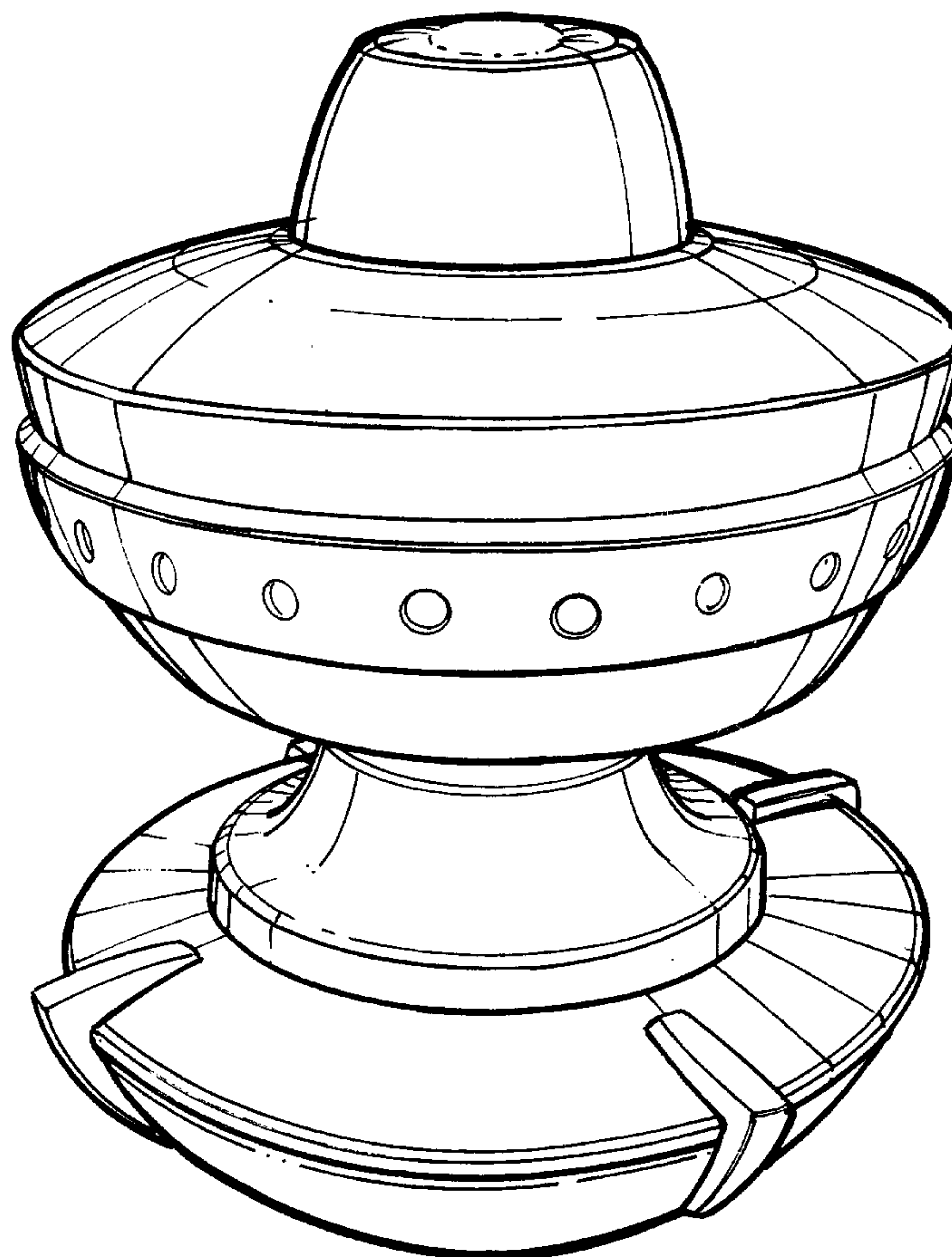
FIG. 3 is front elevational view thereof, the rear elevational view thereof, the left side elevational view thereof, and the right side elevational view being substantially the same thereof;

FIG. 4 is a bottom plan view thereof; and,

FIG. 5 is a top plan view thereof.

The broken line showing of a support pole is included for the purpose of illustrating environmental structure and forms no part of the claimed design.

1 Claim, 5 Drawing Sheets



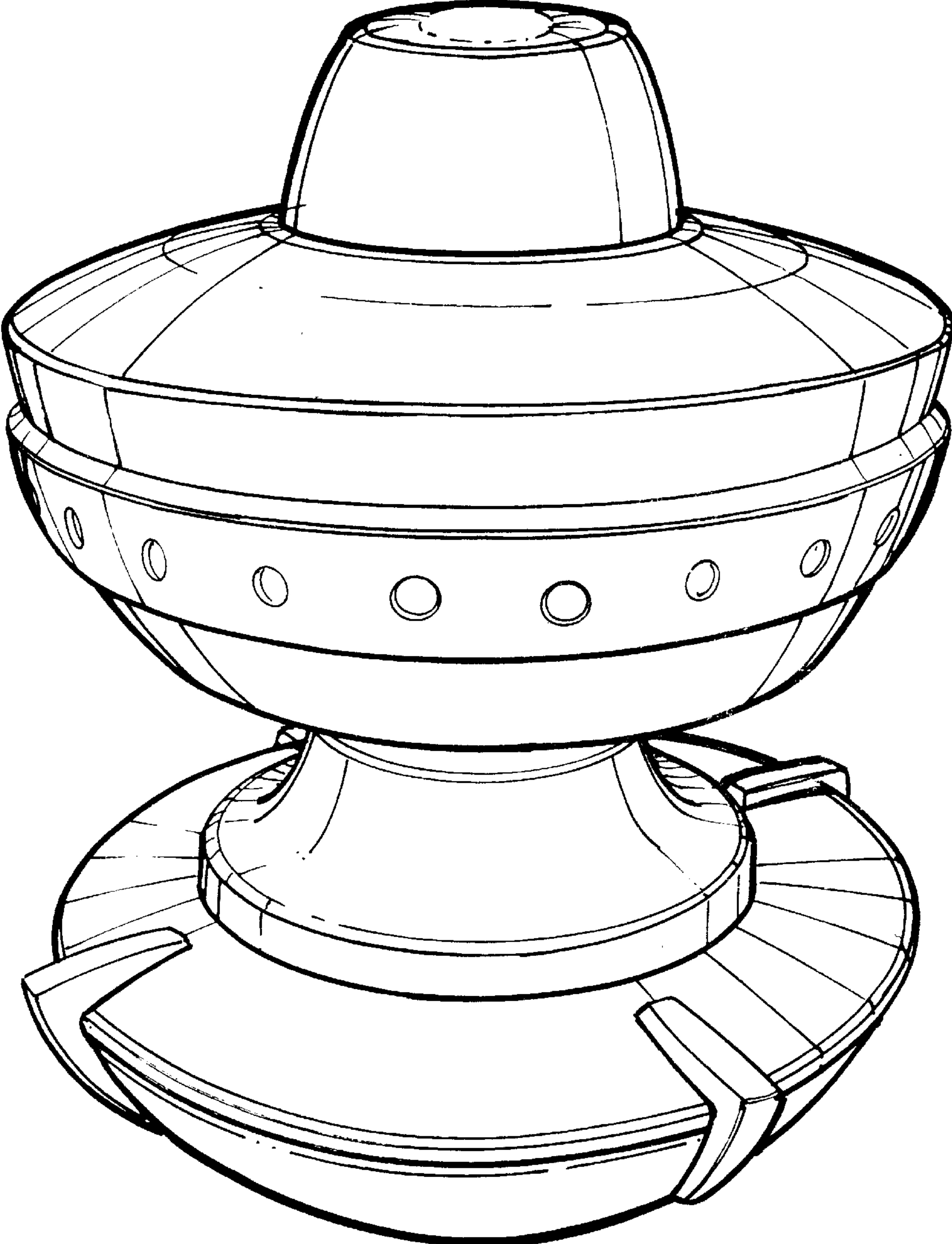


FIGURE 1

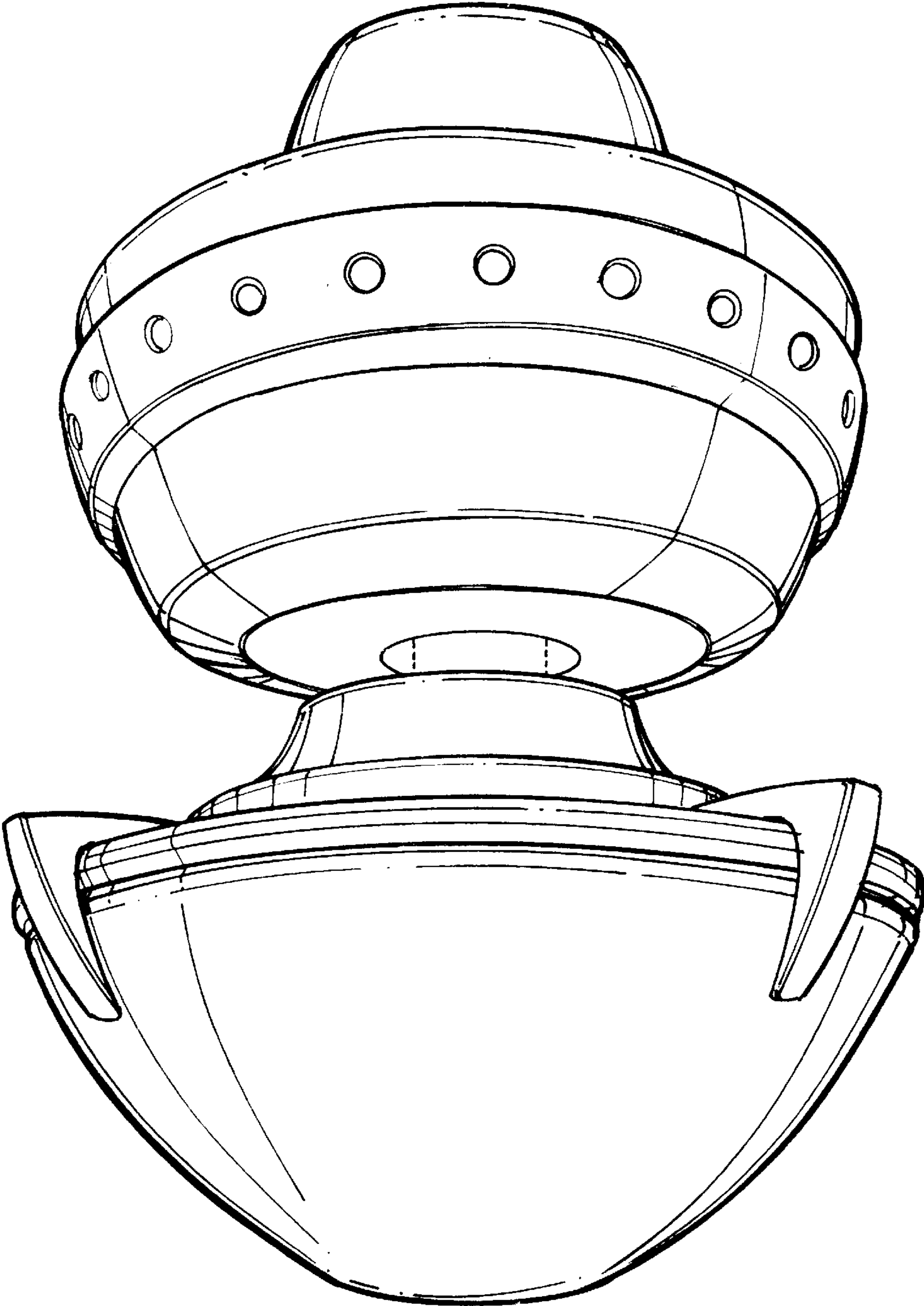


FIGURE 2

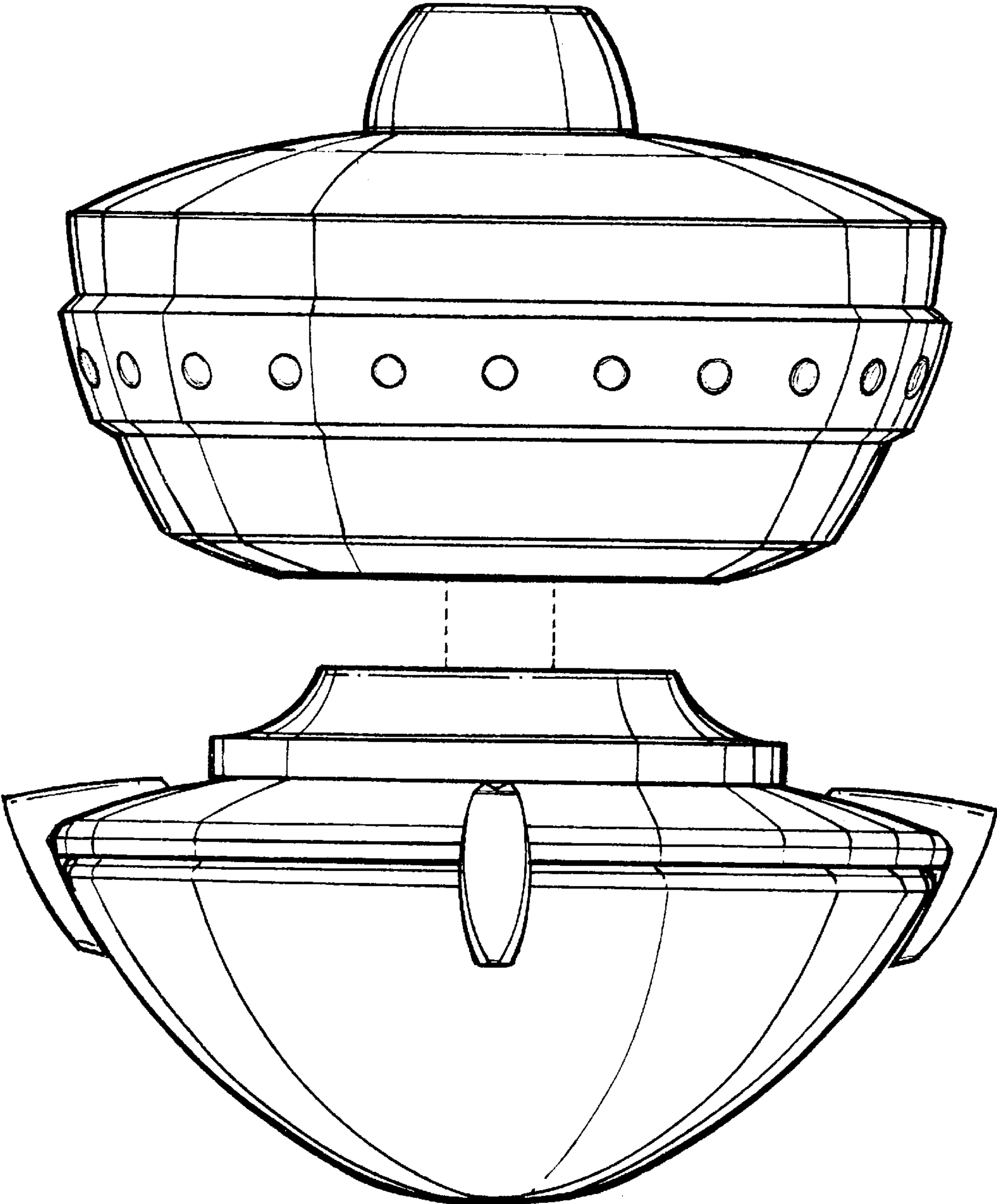


FIGURE 3

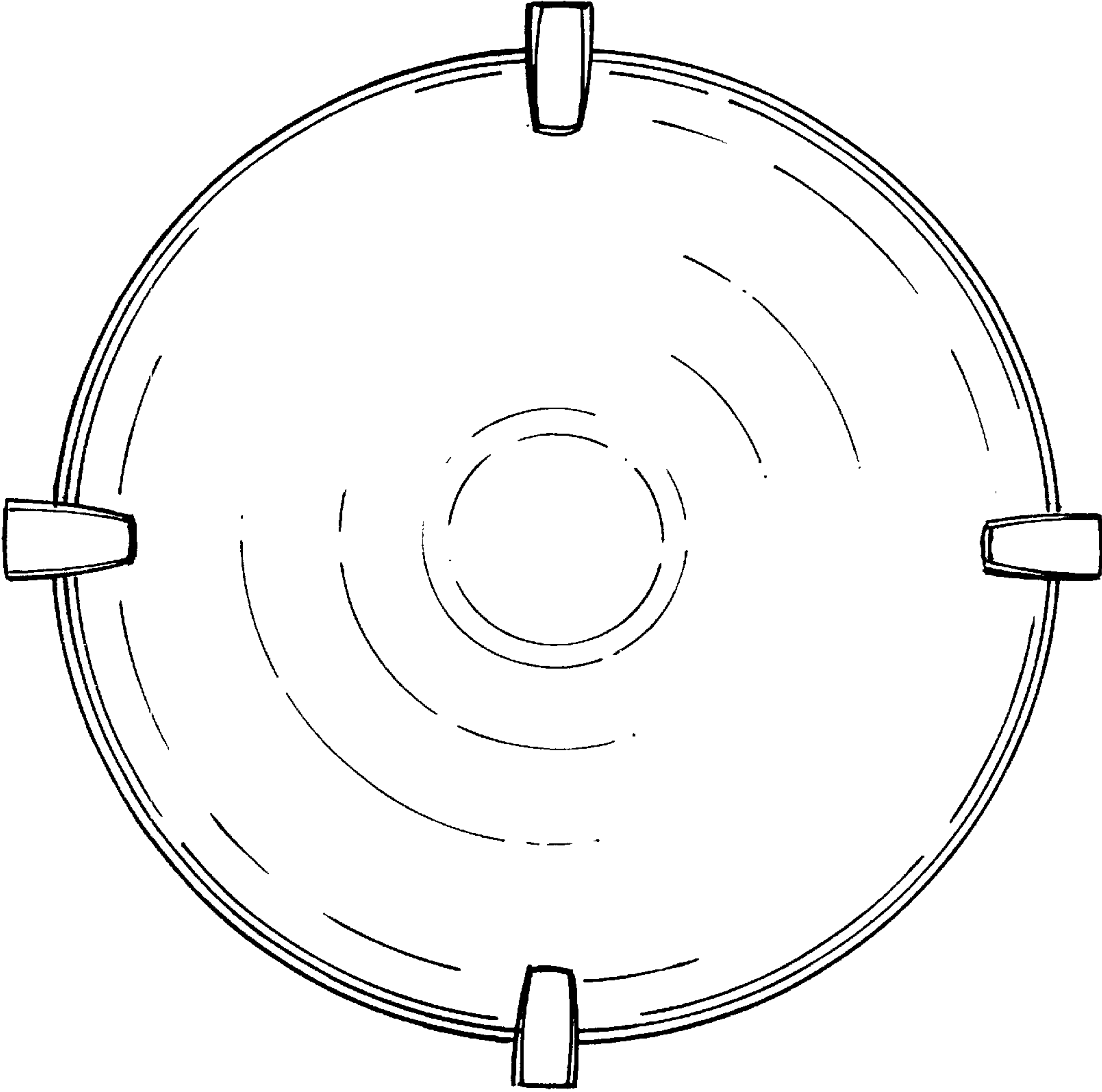


FIGURE 4

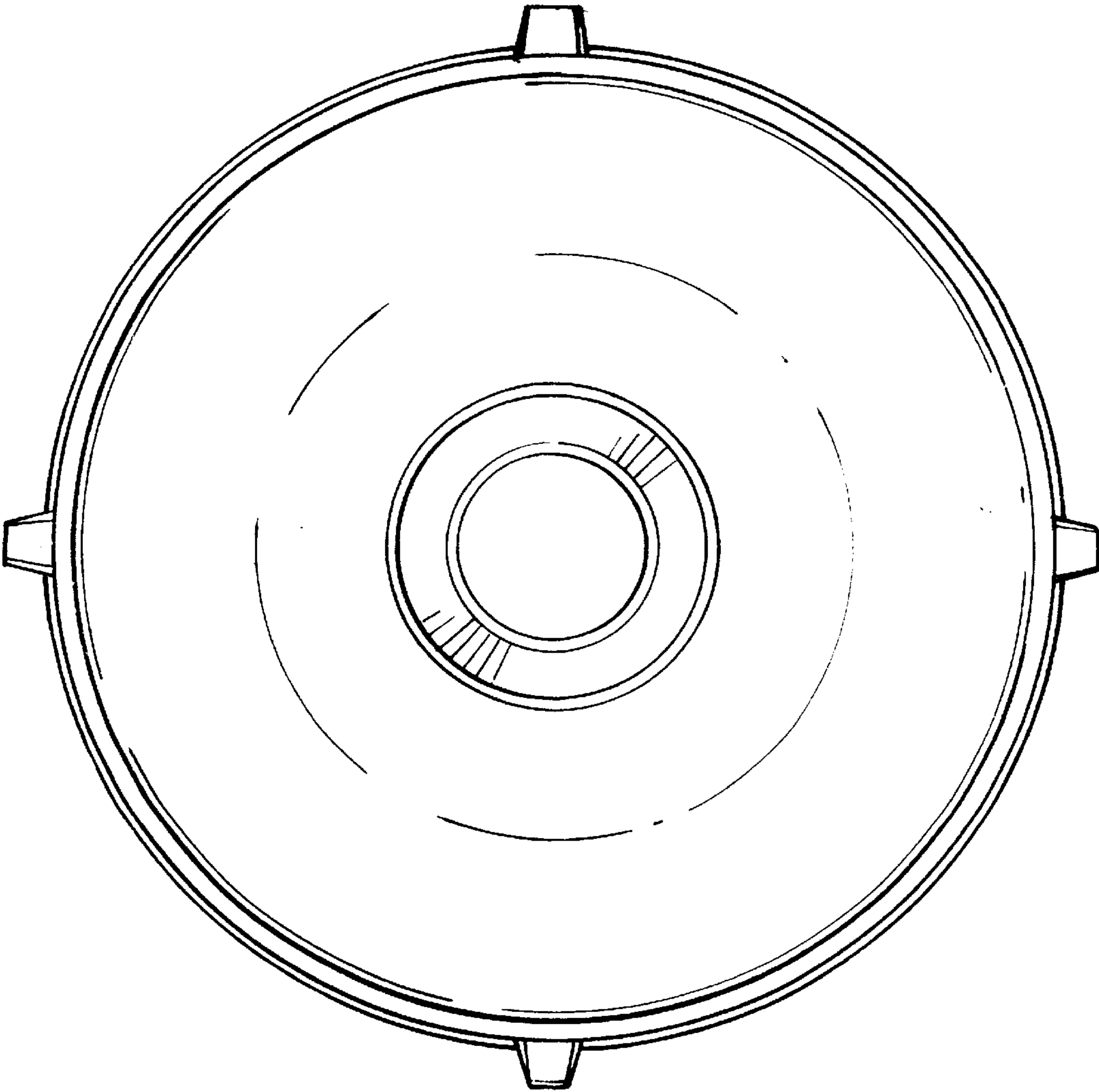


FIGURE 5