



US00D557782S

(12) **United States Design Patent**  
**Choi**

(10) **Patent No.:** **US D557,782 S**

(45) **Date of Patent:** **\*\* Dec. 18, 2007**

(54) **OUTDOOR UNIT OF AN AIR CONDITIONER**

D513,528 S \* 1/2006 Tucker et al. .... D23/351  
D532,503 S \* 11/2006 Shimizu ..... D23/351  
D532,889 S \* 11/2006 Shimizu ..... D23/351

(75) Inventor: **Hwan Woong Choi**, Seoul (KR)

(73) Assignee: **Samsung Electronics Co., Ltd.**, Suwon (KR)

\* cited by examiner

*Primary Examiner*—Brian N Vinson

(74) *Attorney, Agent, or Firm*—Ladas and Parry LLP

(\*\*) Term: **14 Years**

(21) Appl. No.: **29/285,369**

(57) **CLAIM**

(22) Filed: **Mar. 27, 2007**

I claim the ornamental design for outdoor unit of an air conditioner, as shown.

(51) **LOC (8) Cl.** ..... **23-04**

(52) **U.S. Cl.** ..... **D23/351**

(58) **Field of Classification Search** ..... D23/351–354;  
312/236; 454/201–204; 62/259.1, 259.4,  
62/262–263, 304, 324.1

See application file for complete search history.

**DESCRIPTION**

FIG. 1 is a front, left-side, and top perspective view of a outdoor unit of air conditioner showing my new design;

FIG. 2 is a front elevational view thereof;

FIG. 3 is a rear elevational view thereof;

FIG. 4 is a left-side elevational view thereof;

FIG. 5 is a right-side elevational view thereof;

FIG. 6 is a top plan view thereof; and,

FIG. 7 is a bottom plan view thereof.

(56) **References Cited**

**U.S. PATENT DOCUMENTS**

D443,349 S \* 6/2001 Nonaka ..... D23/351  
D463,540 S \* 9/2002 Kammer et al. .... D23/351  
D495,407 S \* 8/2004 Asaoka et al. .... D23/351  
D497,983 S \* 11/2004 Nanjo et al. .... D23/351  
D508,118 S \* 8/2005 Motonishi et al. .... D23/351

**1 Claim, 6 Drawing Sheets**

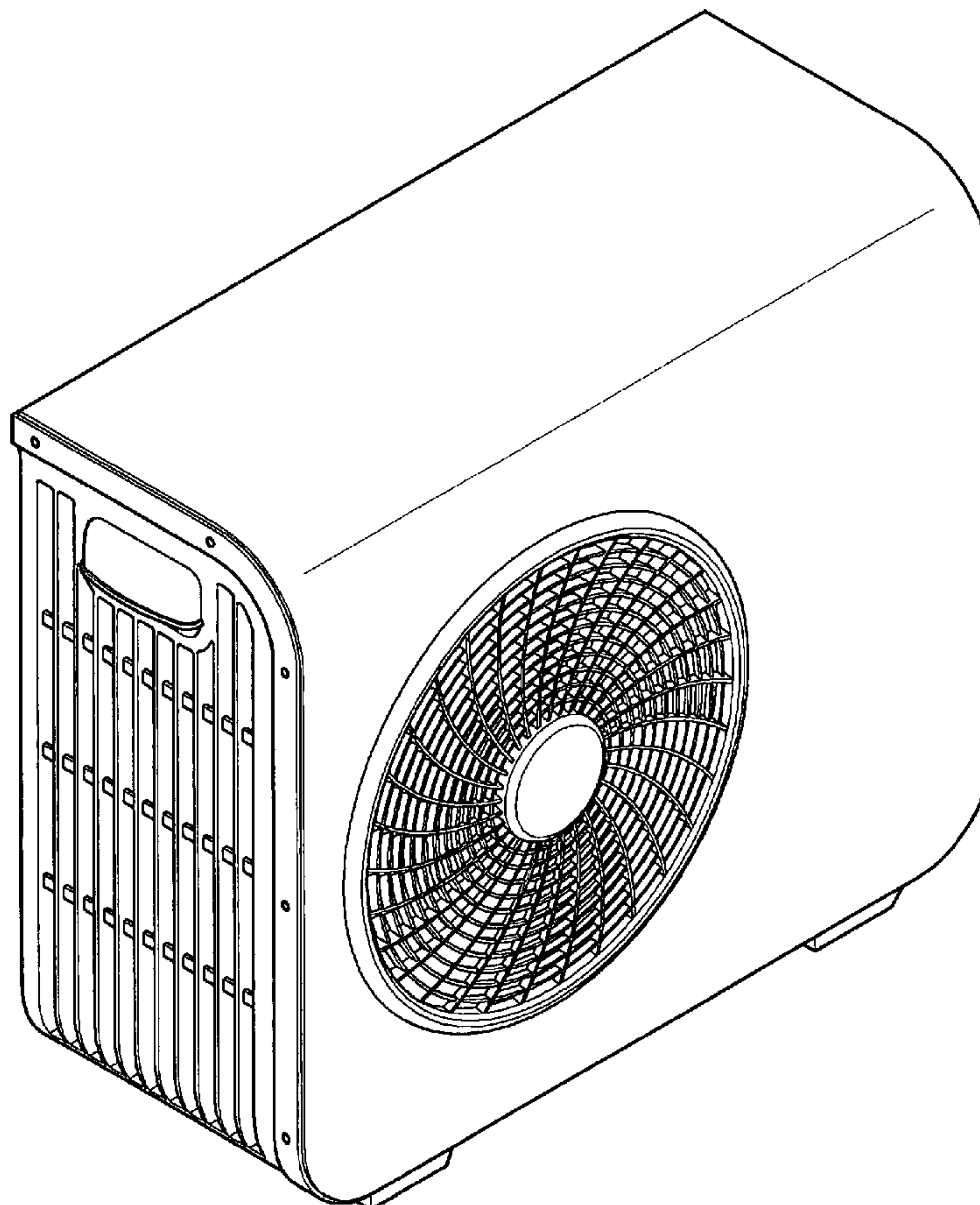


FIG. 1

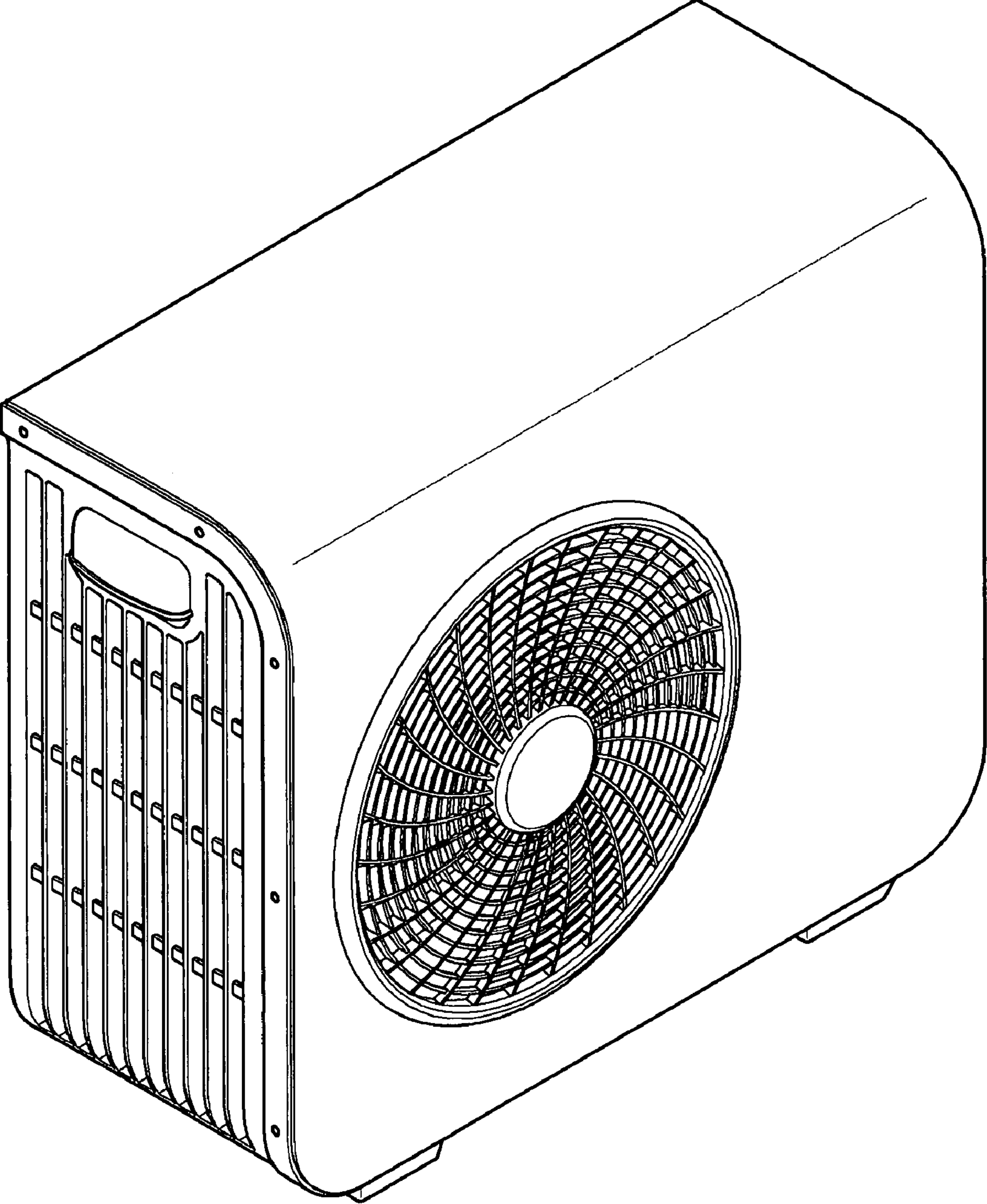


FIG. 2

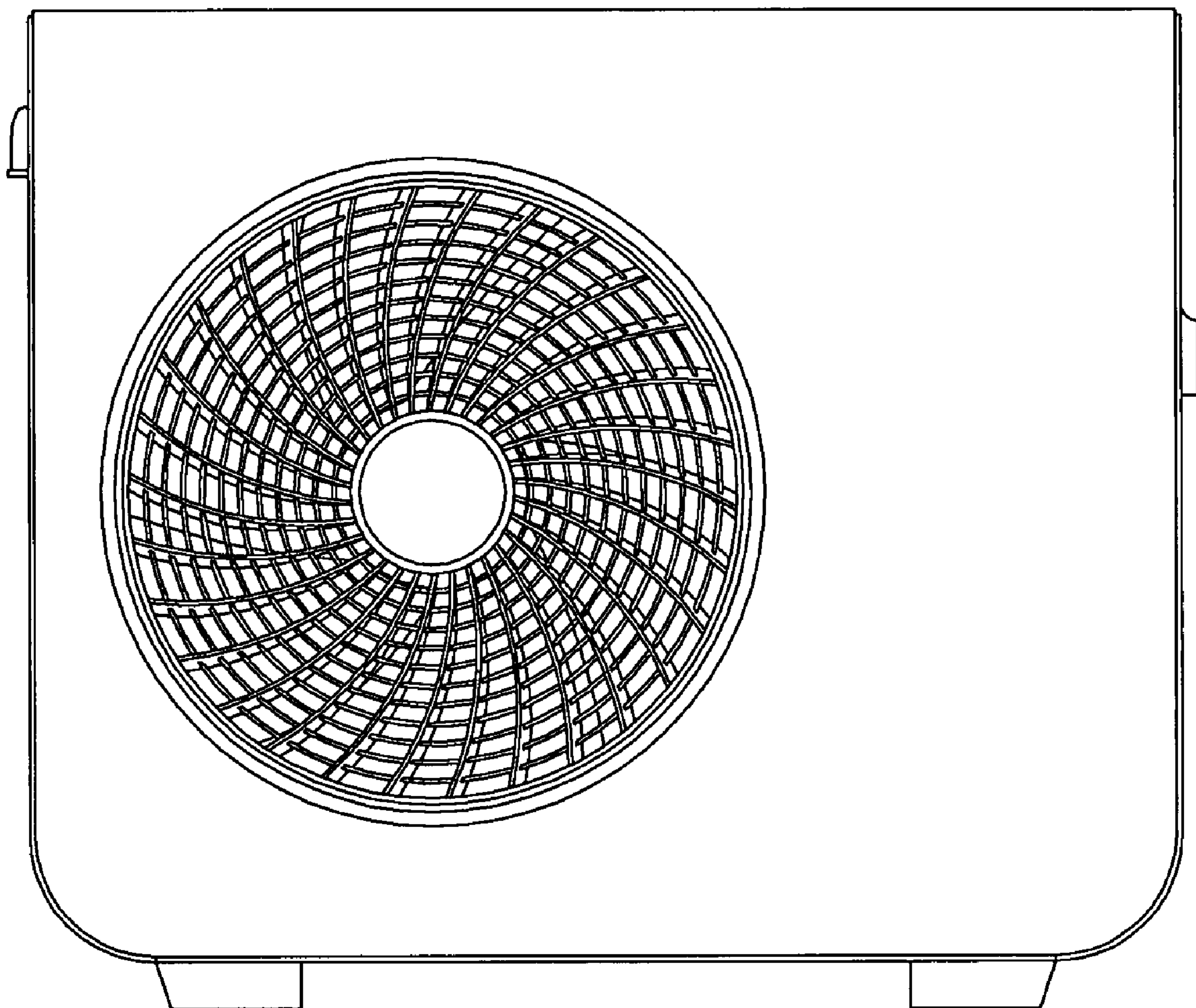
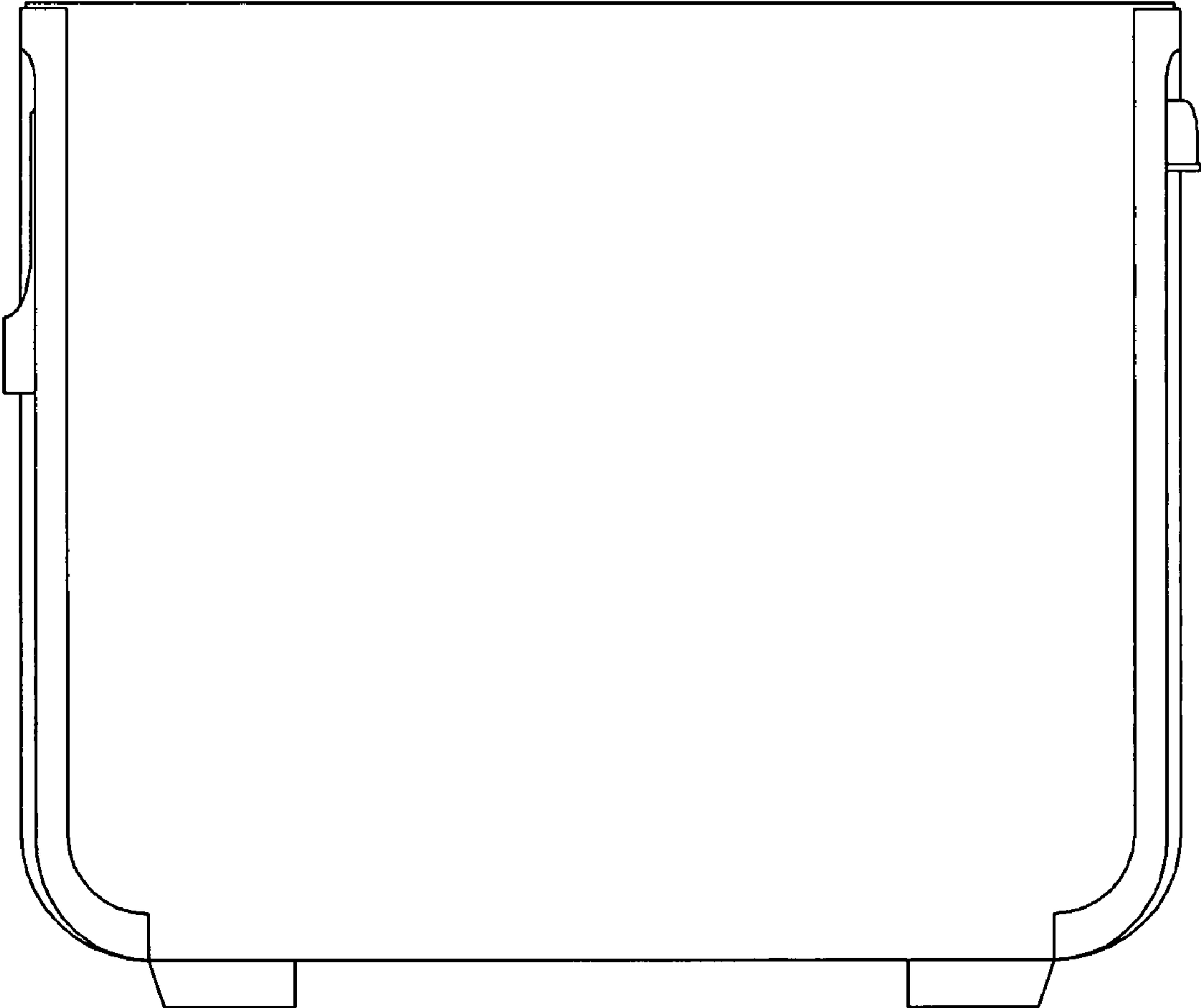
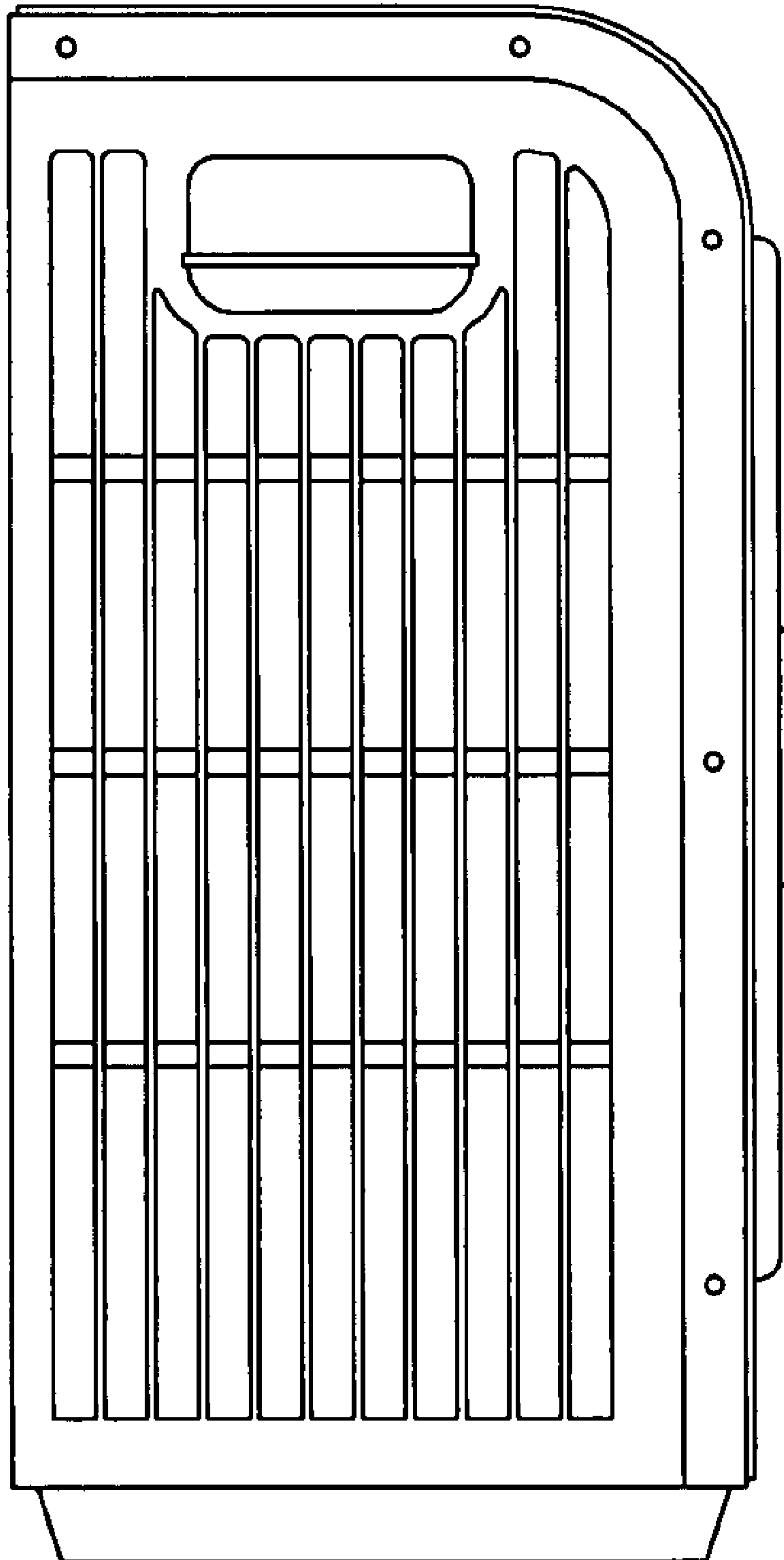


FIG. 3



**FIG. 4**





**FIG. 5**

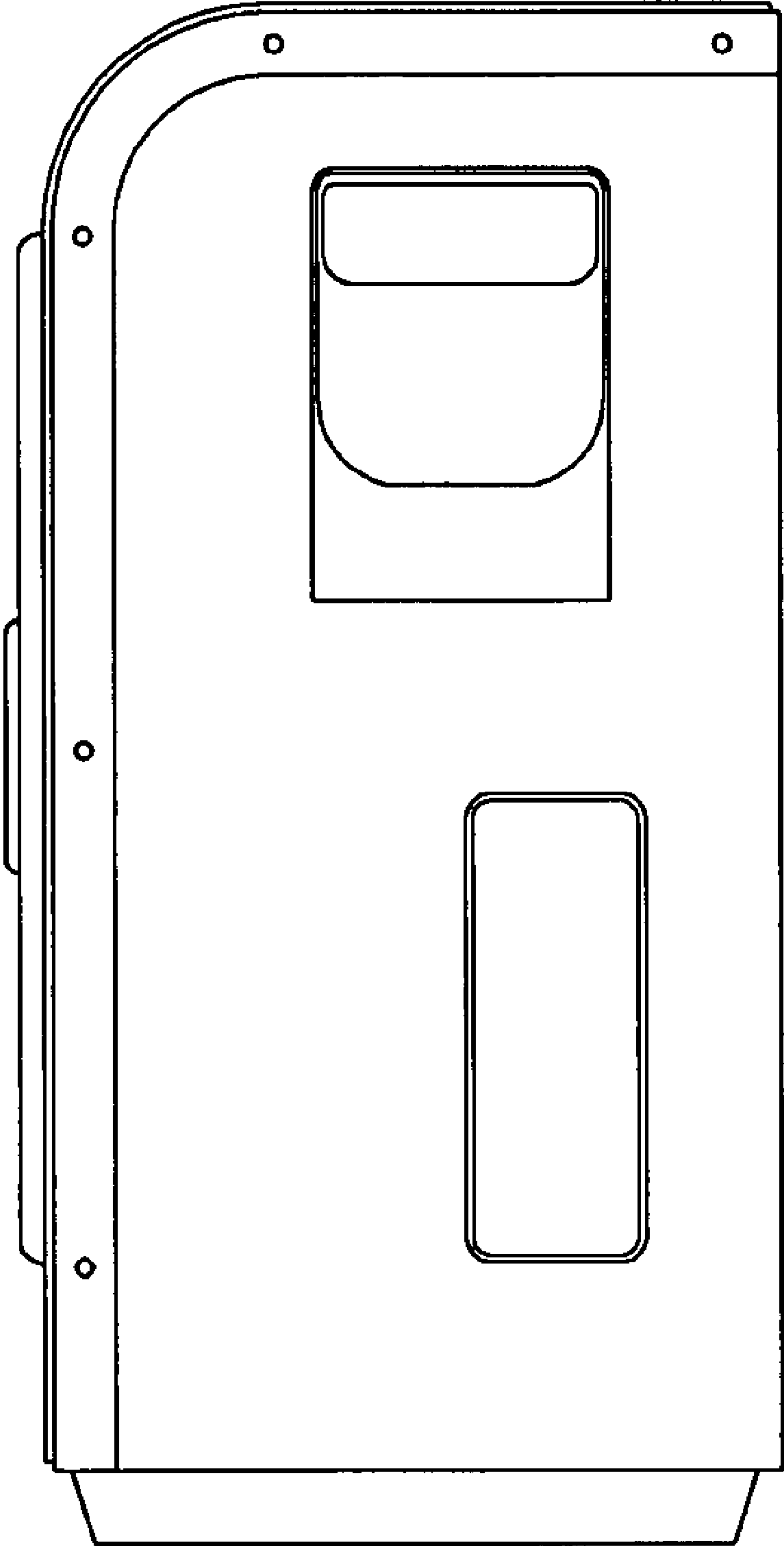


FIG. 6

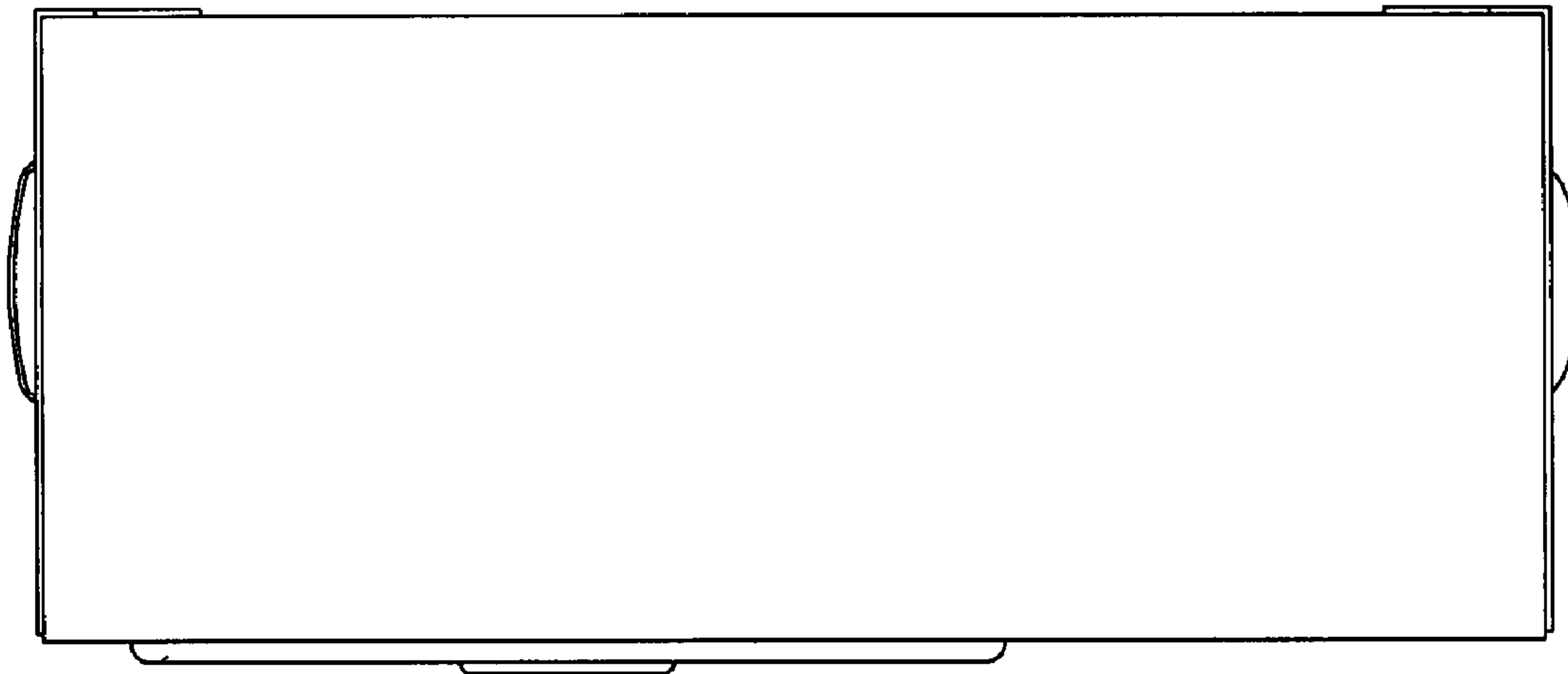


FIG. 7

