



US00D557780S

(12) **United States Design Patent**
Koenitzer et al.

(10) **Patent No.:** **US D557,780 S**

(45) **Date of Patent:** **** Dec. 18, 2007**

(54) **HEATER**

(76) Inventors: **John E. Koenitzer**, N. 78 W. 12890
Country Club Ct., Menomonee Falls,
WI (US) 53051; **Joyce C. Koenitzer**,
N. 78 W. 12890 Country Club Ct.,
Menomonee Falls, WI (US) 53051

(**) Term: **14 Years**

(21) Appl. No.: **29/263,512**

(22) Filed: **Jul. 24, 2006**

(51) **LOC (8) Cl.** **23-03**

(52) **U.S. Cl.** **D23/342**

(58) **Field of Classification Search** D23/332,
D23/314, 340-345, 349-350; 392/360, 365-369,
392/373-376; 312/326; 126/110 B, 90 A,
126/92 A

See application file for complete search history.

(56) **References Cited**

U.S. PATENT DOCUMENTS

109,999 A *	12/1870	Sheppard	172/194
D265,500 S *	7/1982	Smith	D23/343
D288,358 S *	2/1987	Nishikawa et al.	D23/342
D300,847 S	4/1989	Lin		
D382,048 S *	8/1997	Bennett	D23/335
D401,315 S	11/1998	Boyle et al.		
5,838,878 A *	11/1998	Jane et al.	392/376
D402,742 S	12/1998	Chen		
D402,749 S	12/1998	Jane et al.		
D418,212 S	12/1999	TerMeer		
D420,112 S	2/2000	Hotaling et al.		

D429,323 S	8/2000	Rossmann et al.		
D430,278 S	8/2000	Krauss et al.		
D431,640 S	10/2000	Rong		
D486,899 S	2/2004	Gao		
D499,475 S	12/2004	Lehman et al.		
2001/0020646 A1 *	9/2001	Hebert	237/79
2005/0265702 A1 *	12/2005	Birdsell et al.	392/368

* cited by examiner

Primary Examiner—Louis S. Zarfaz

Assistant Examiner—Eric L. Goodman

(74) *Attorney, Agent, or Firm*—Boyle Fredrickson
Newholm Stein & Gratz, S.C.

(57) **CLAIM**

The ornamental design for a heater, as shown and described.

DESCRIPTION

FIG. 1 is perspective view of a heater incorporating my new design, viewed from in front of, above, and from the left side of the heater;

FIG. 2 is a side elevation view thereof, with the right side being a mirror image of the left side;

FIG. 3 is a front elevation view thereof;

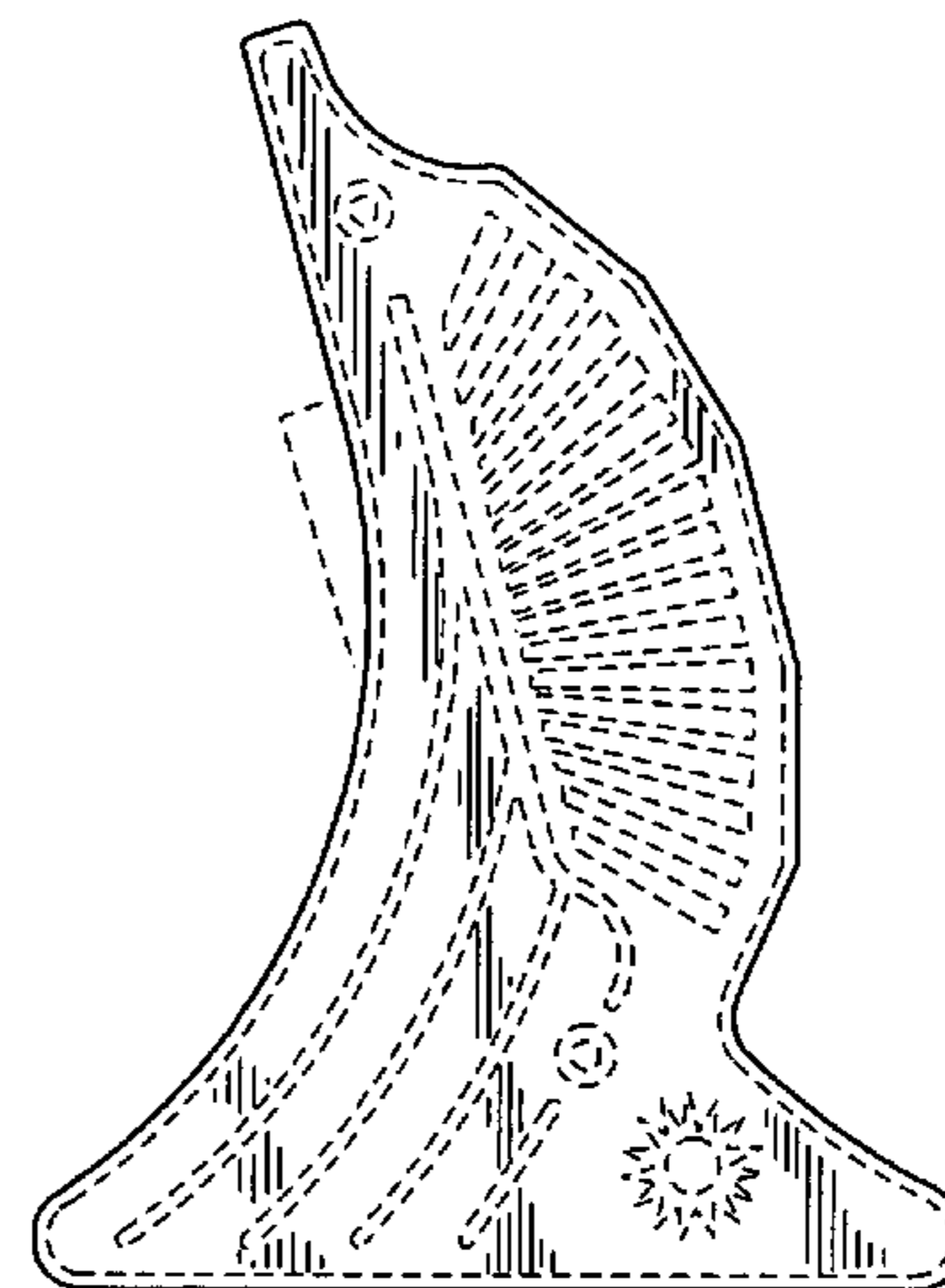
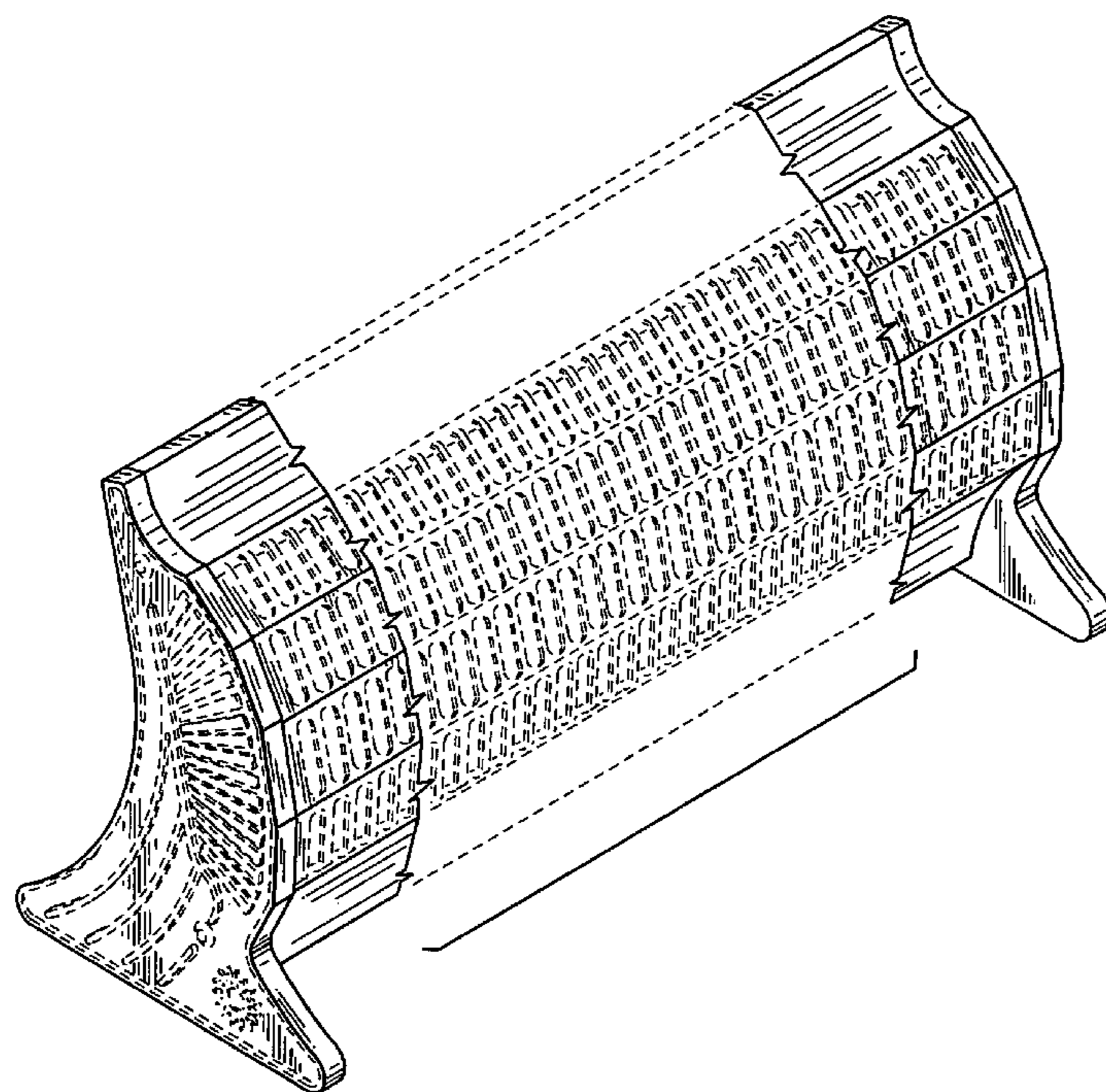
FIG. 4 is a top plan view thereof;

FIG. 5 is a rear elevation view thereof; and,

FIG. 6 is a bottom plan view thereof.

The broken lines in FIGS. 1-6 are for illustrative purposes only and form no part of the claimed design.

1 Claim, 6 Drawing Sheets



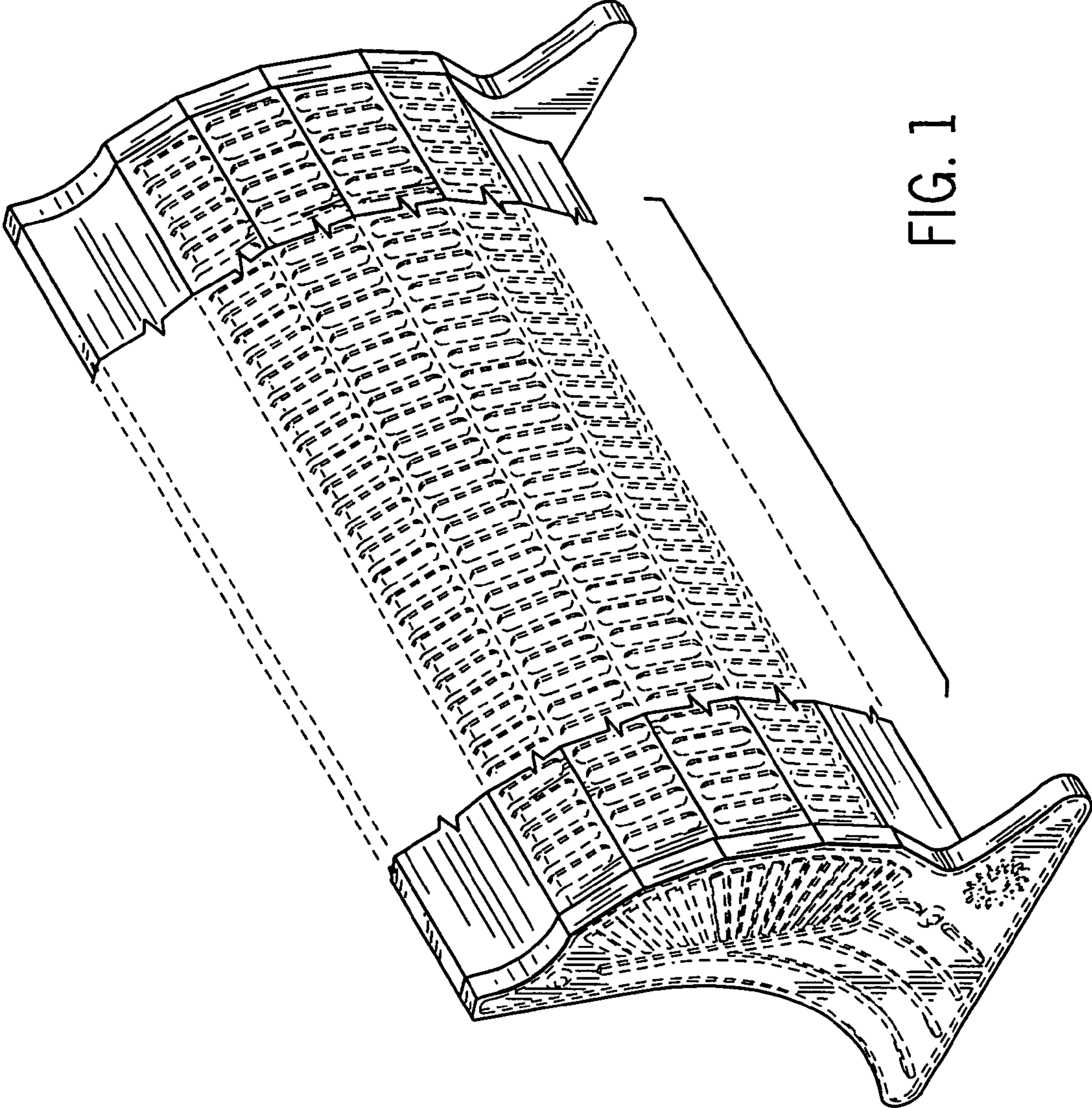


FIG. 1

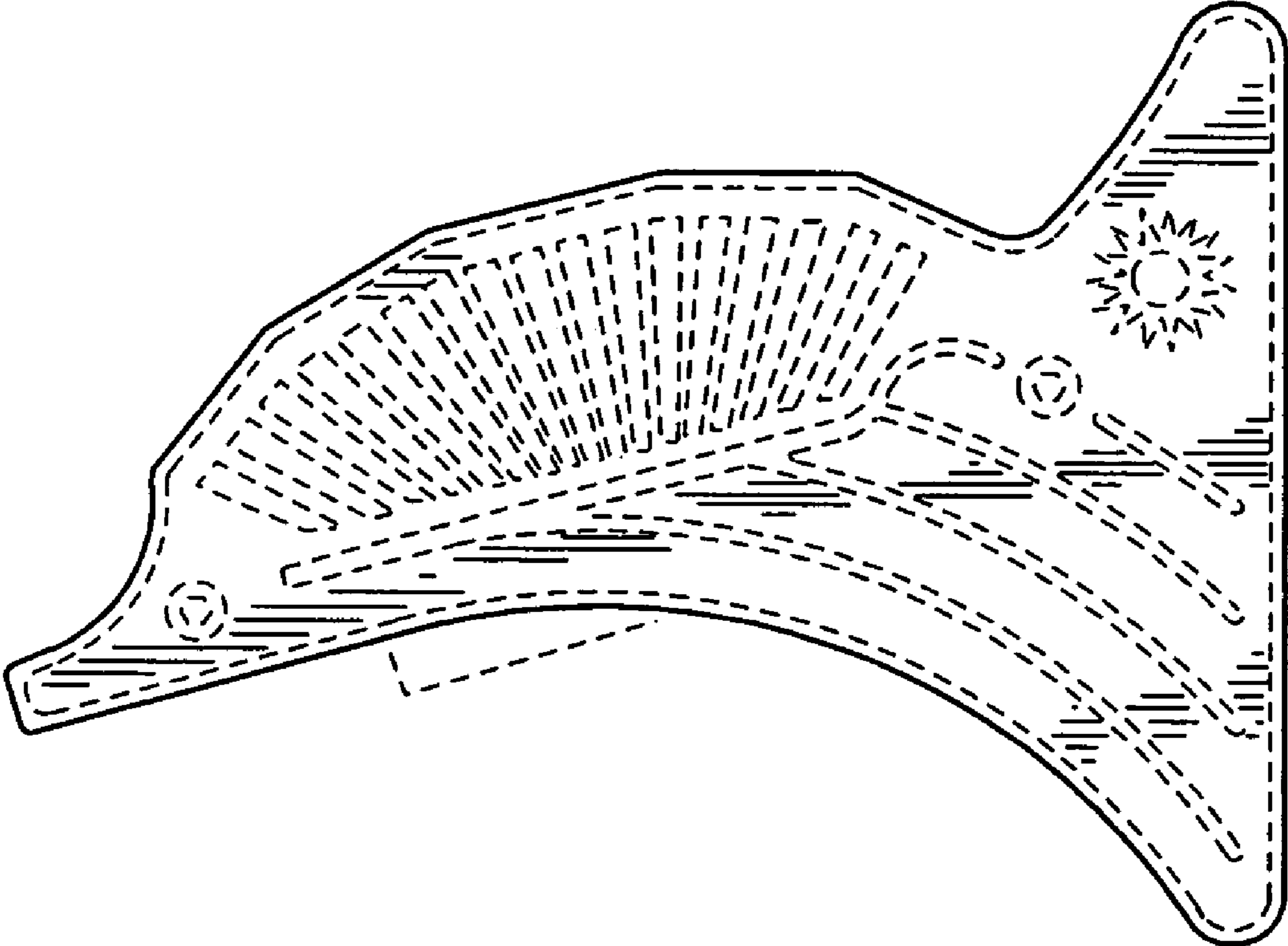


FIG. 2

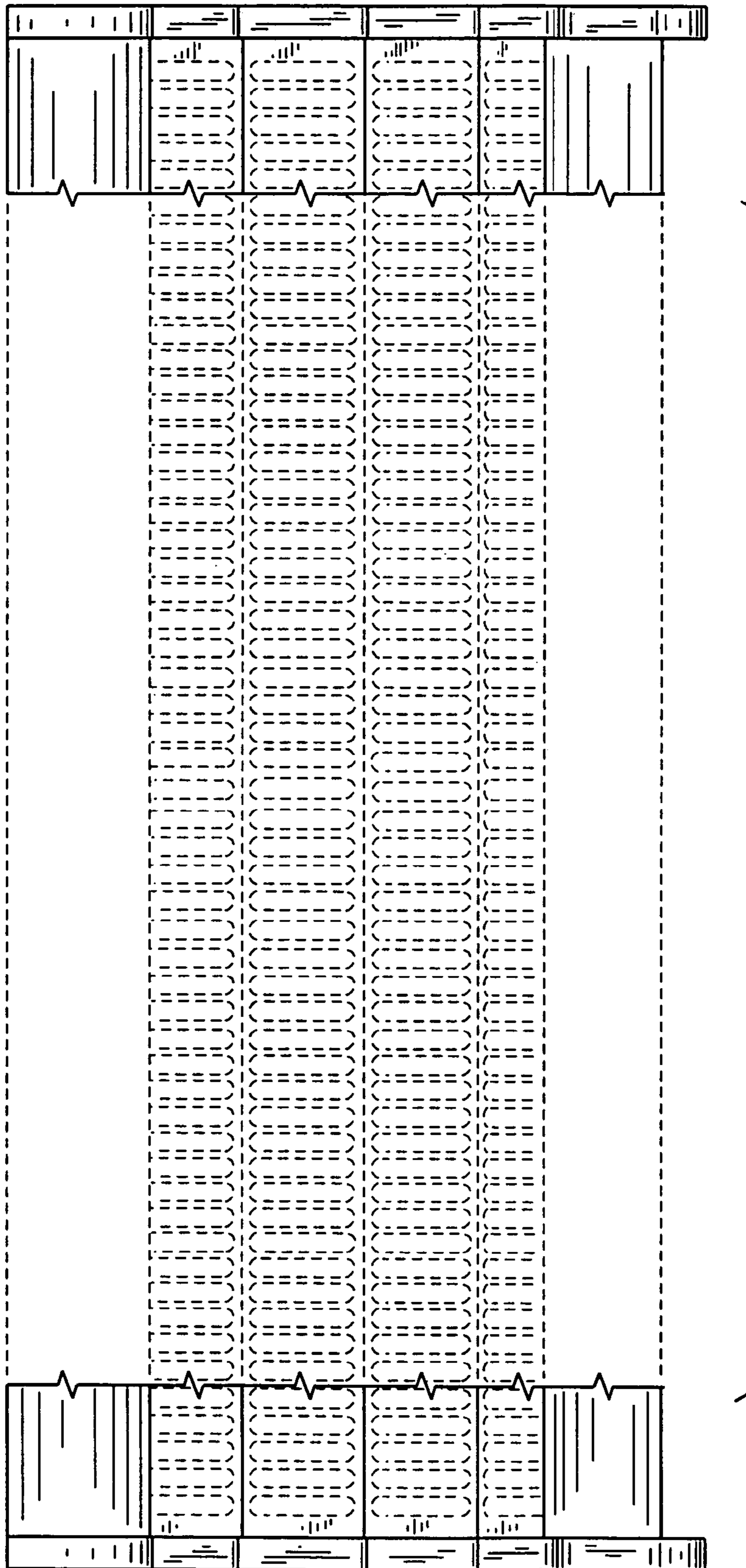


FIG. 3

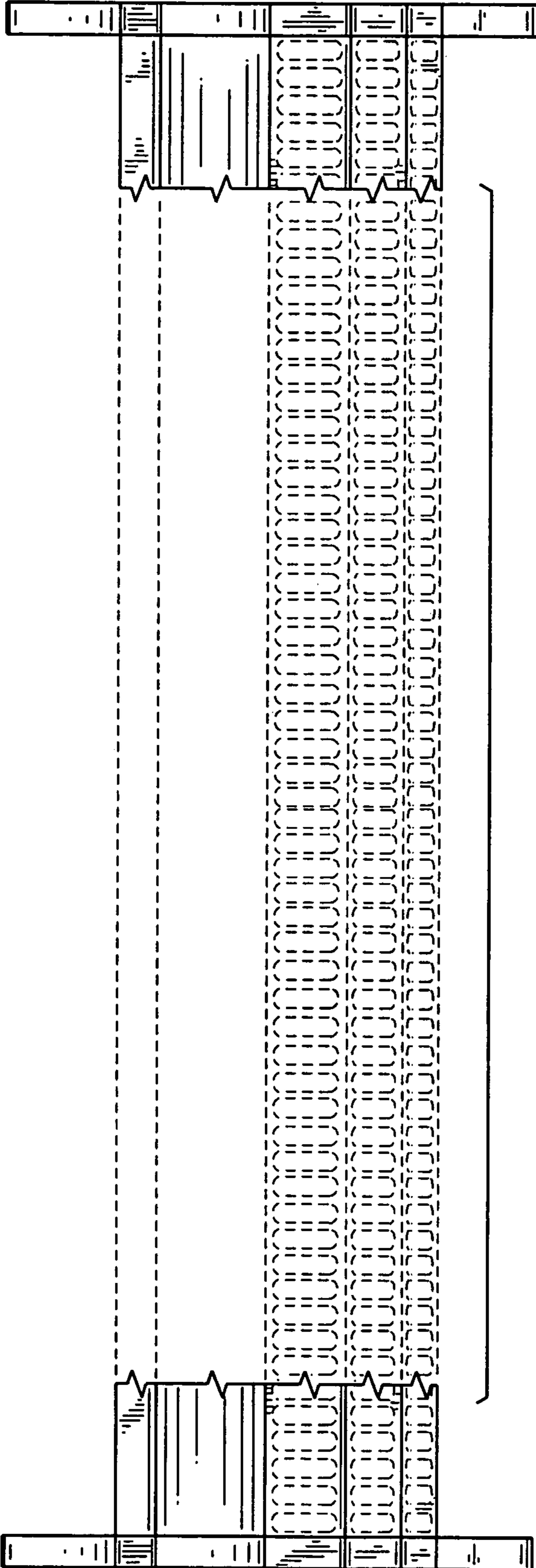


FIG. 4

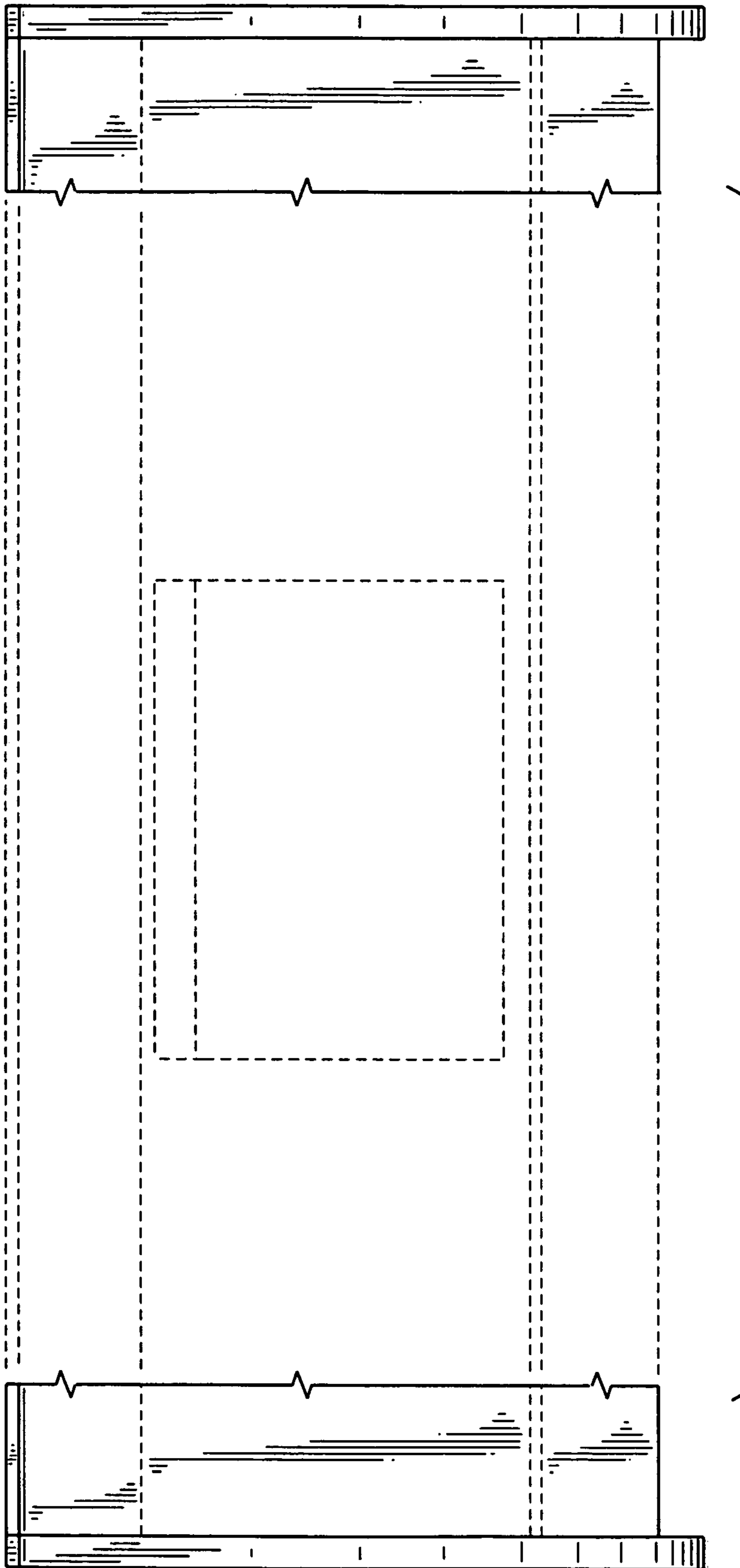


FIG. 5

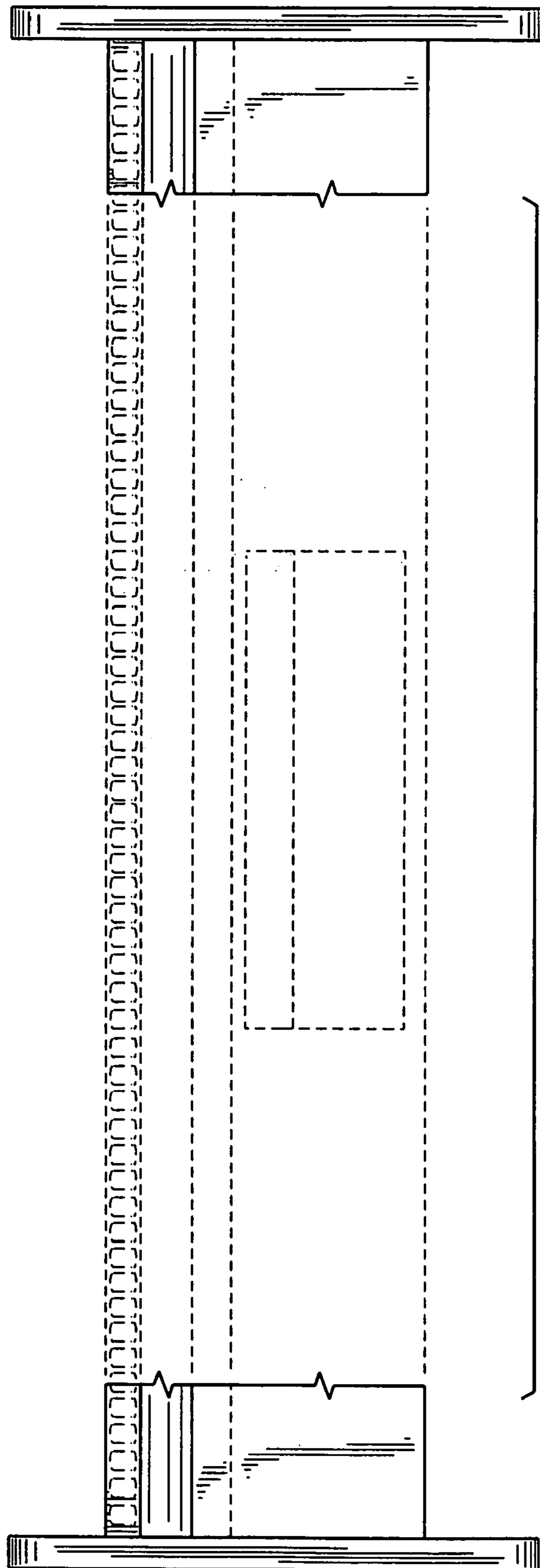


FIG. 6