



US00D557773S

(12) **United States Design Patent** (10) **Patent No.:** **US D557,773 S**  
**Antoniou** (45) **Date of Patent:** **\*\* Dec. 18, 2007**

(54) **ODOR-REMOVING APPARATUS FOR INCLUSION IN A TOILET**

(75) Inventor: **Peter Antoniou**, London (GB)

(73) Assignee: **Odourbuster Limited**, Brentwood, Essex (GB)

(\*\*) Term: **14 Years**

(21) Appl. No.: **29/268,034**

(22) Filed: **Oct. 27, 2006**

(30) **Foreign Application Priority Data**

Apr. 28, 2006 (EM) ..... 000525886

(51) **LOC (8) Cl.** ..... **23-02**

(52) **U.S. Cl.** ..... **D23/309**

(58) **Field of Classification Search** ..... D23/303, D23/309, 311; 4/347, 209 R, 218-217, 237-239  
See application file for complete search history.

(56) **References Cited**

U.S. PATENT DOCUMENTS

2,747,201	A *	5/1956	Herriott	.....	4/213
3,295,147	A *	1/1967	Meyer	.....	4/213
3,585,651	A *	6/1971	Cox	.....	4/348
4,365,361	A *	12/1982	Sanstrom	.....	4/213
D327,539	S *	6/1992	Williams	.....	D23/366

D402,747	S *	12/1998	Yeatts et al.	.....	D23/371
D408,508	S *	4/1999	Lopez	.....	D23/311
6,260,214	B1 *	7/2001	Smith	.....	4/213
6,678,900	B2 *	1/2004	Ware	.....	4/213
6,760,928	B1 *	7/2004	Rodriguez	.....	4/217
2005/0050621	A1 *	3/2005	Thomas	.....	4/216

\* cited by examiner

*Primary Examiner*—Robert A. Delehanty

(74) *Attorney, Agent, or Firm*—Chernoff, Vilhauer, McClung & Stenzel, LLP

(57) **CLAIM**

The ornamental design for an odor-removing apparatus for inclusion in a toilet, as shown and described.

**DESCRIPTION**

FIG. 1 is an isometric view from the upper right front of an odor-removing apparatus for inclusion in a toilet, including my new design;

FIG. 2 is a front elevational view thereof;

FIG. 3 is a rear elevational view thereof;

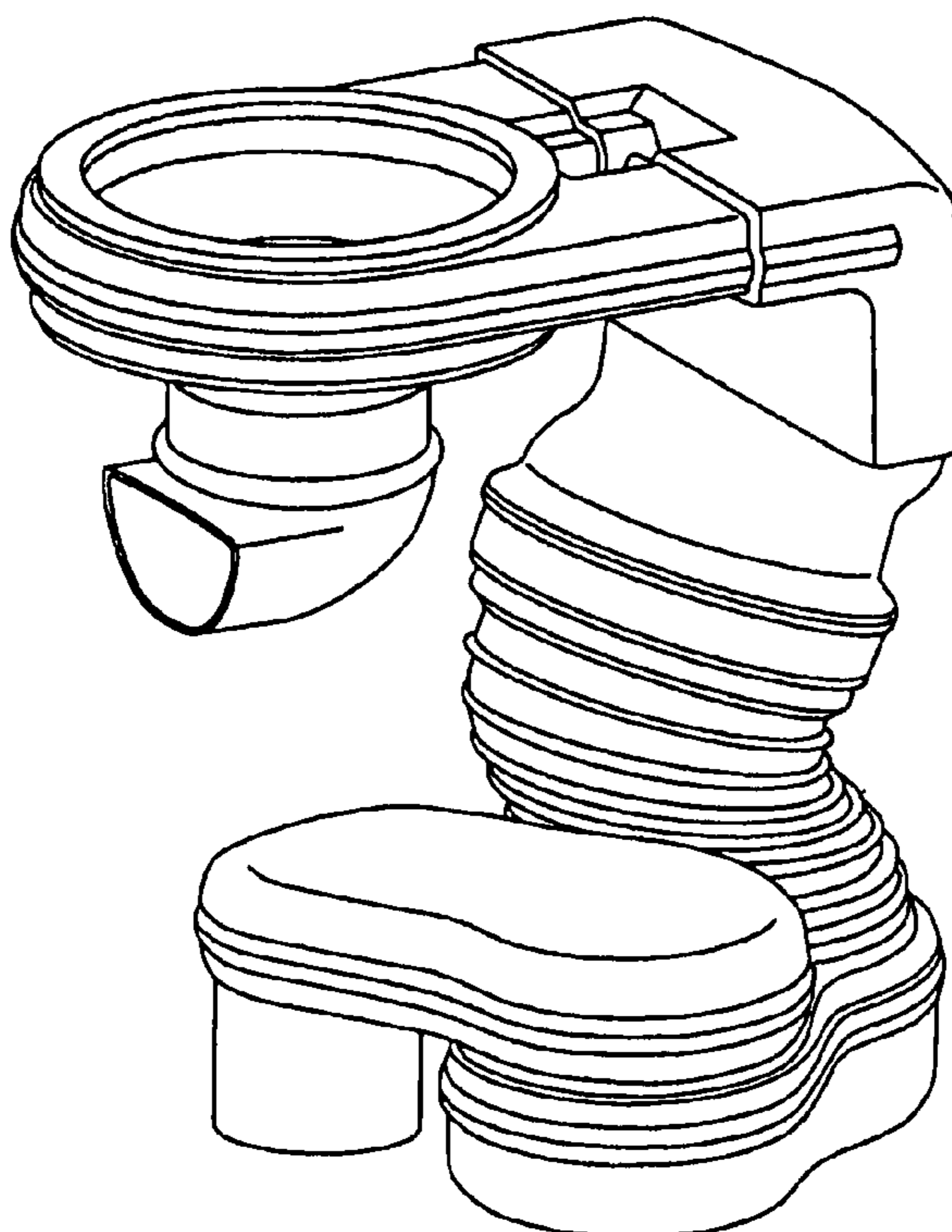
FIG. 4 is a right side elevational view thereof;

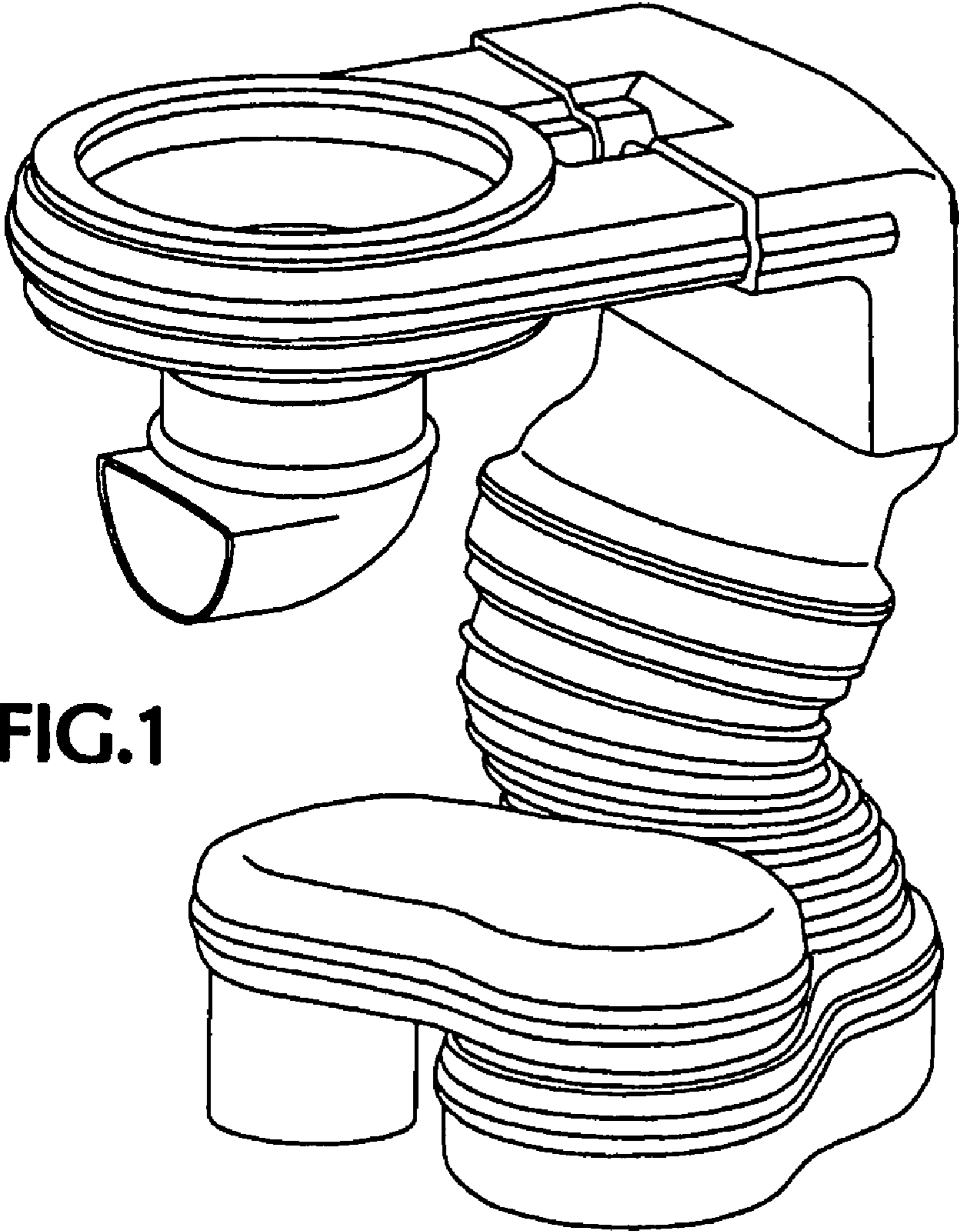
FIG. 5 is a top plan view thereof;

FIG. 6 is a left side elevational view thereof; and,

FIG. 7 is a bottom plan view thereof.

**1 Claim, 4 Drawing Sheets**





**FIG.1**

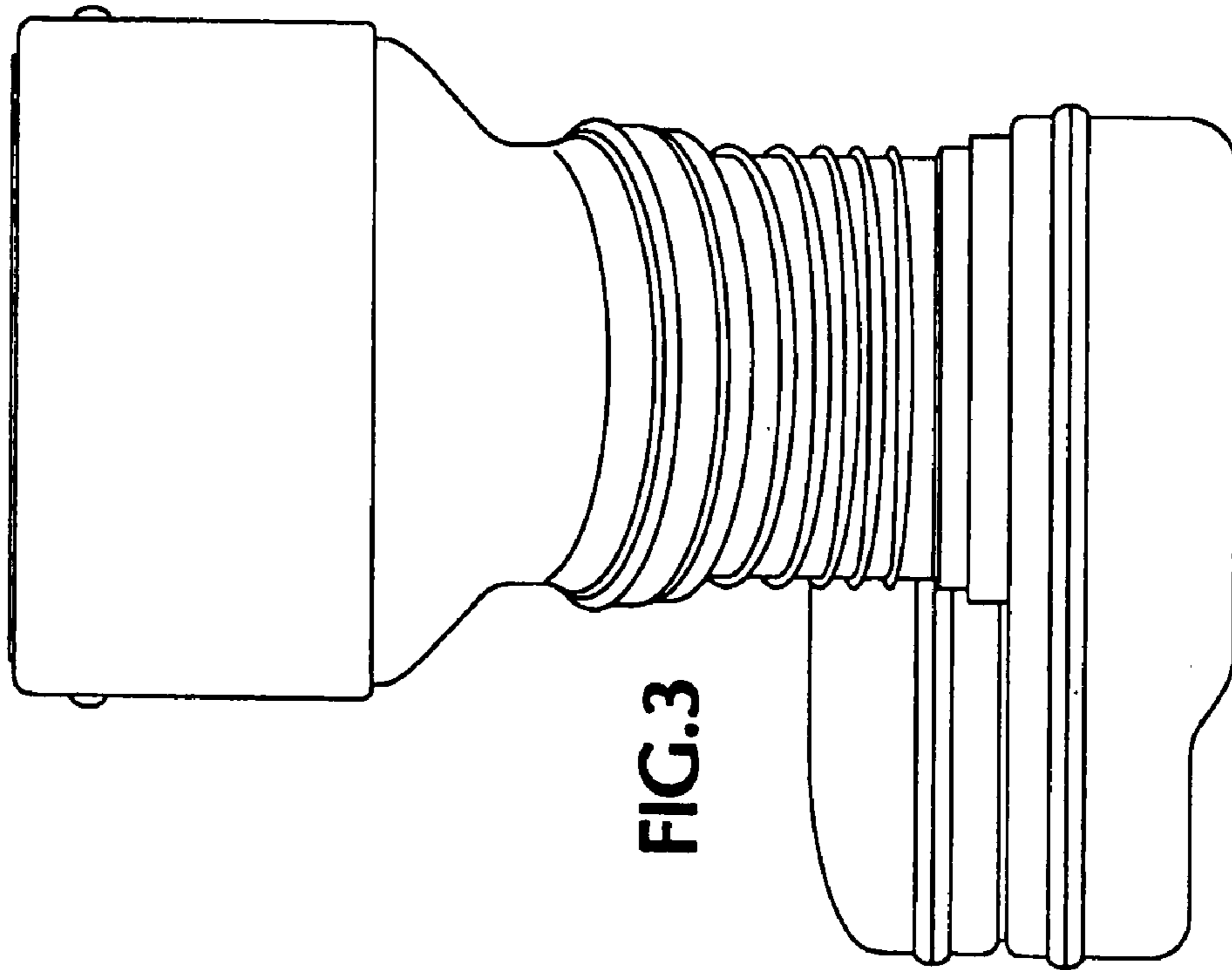


FIG.3

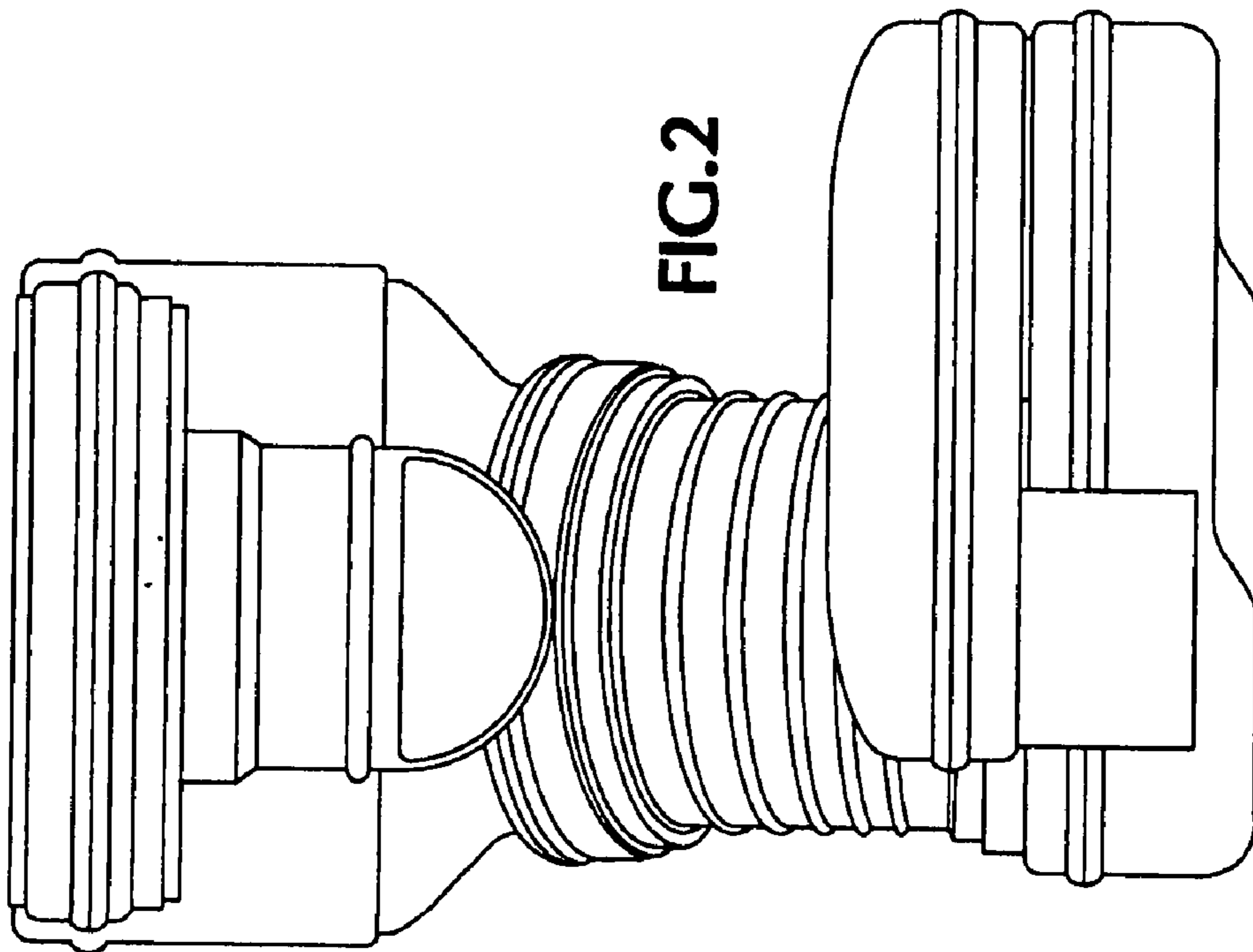


FIG.2

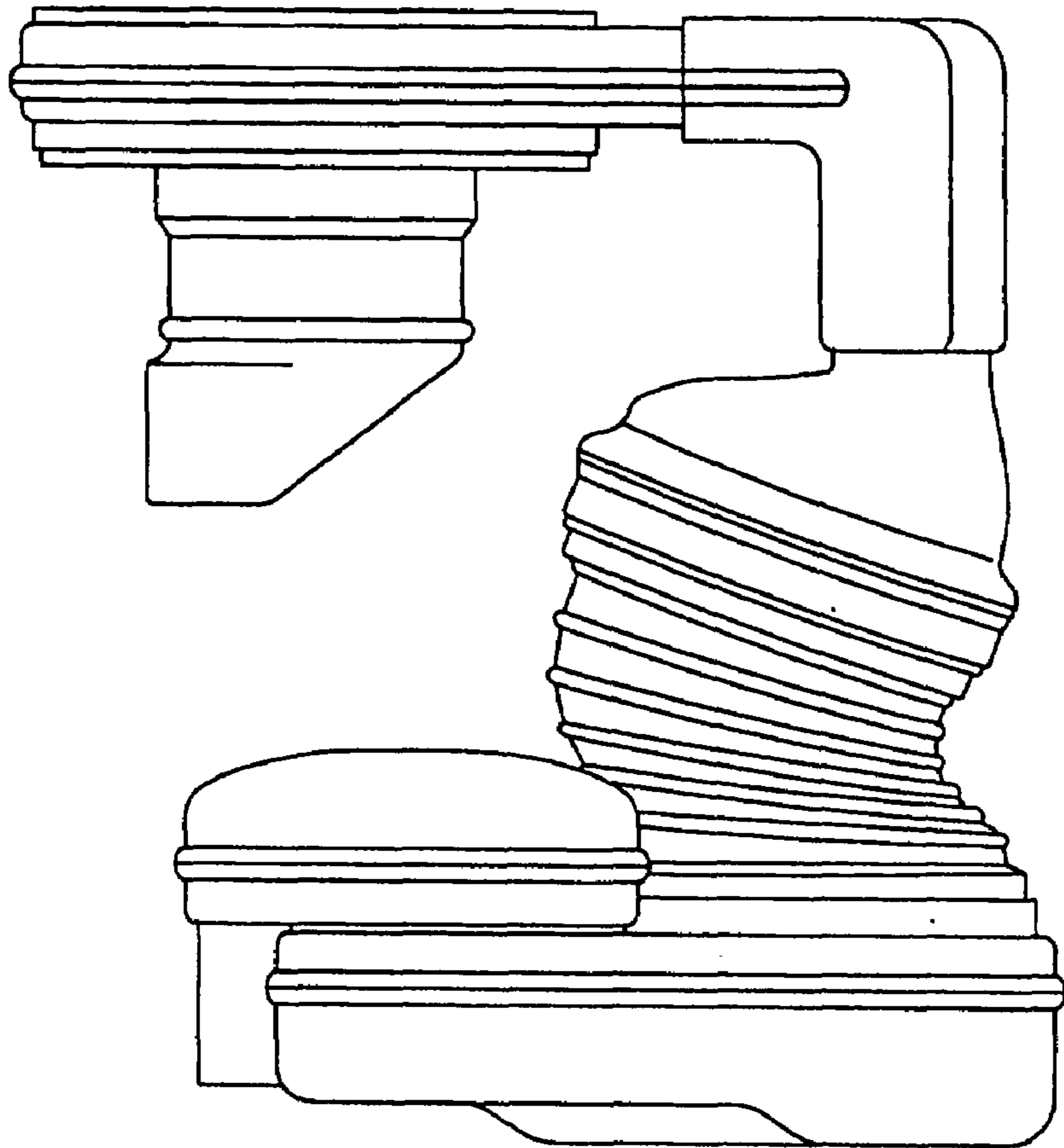


FIG.4

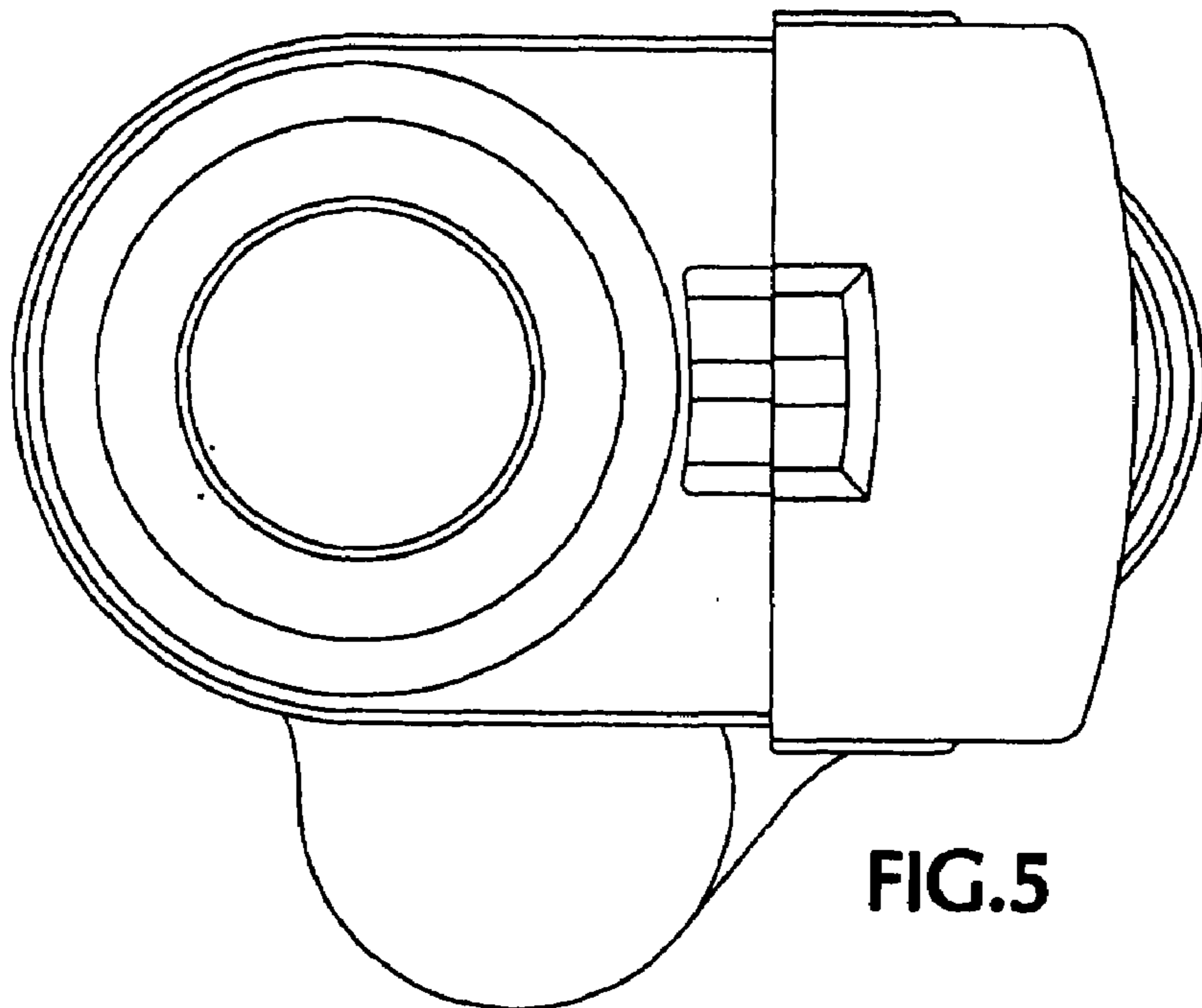


FIG.5

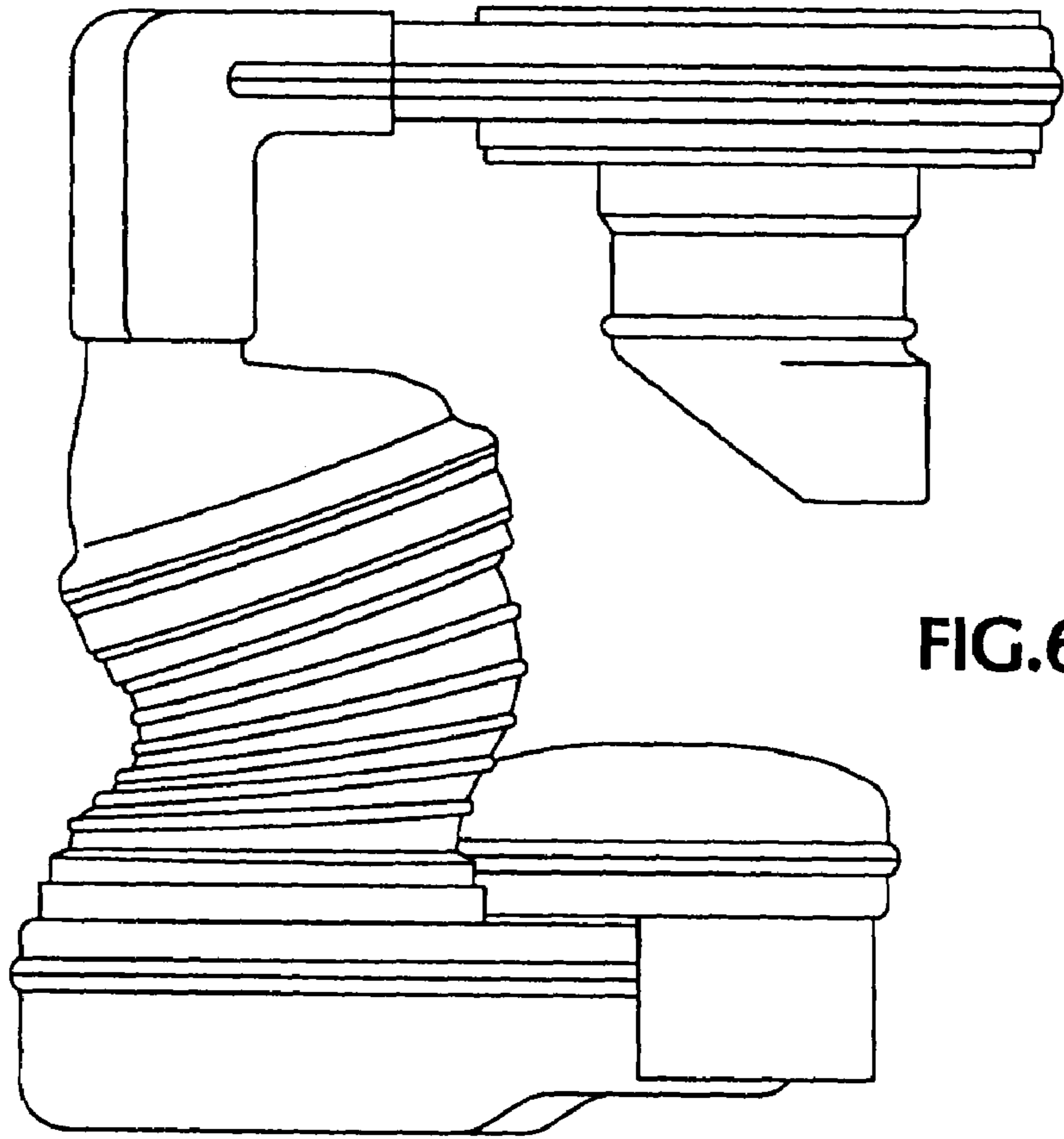


FIG. 6

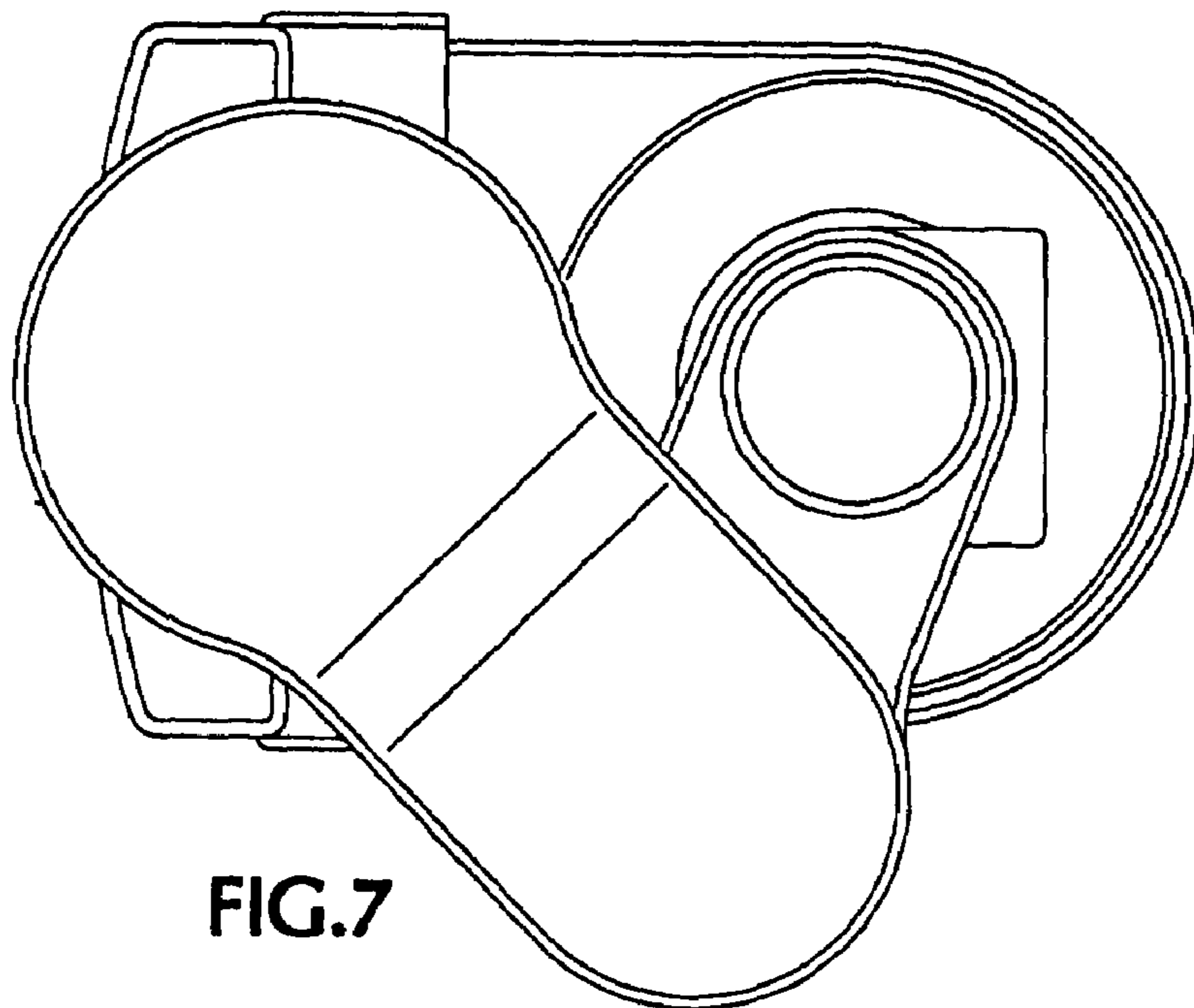


FIG. 7