



US00D557771S

(12) **United States Design Patent**
Darce

(10) **Patent No.:** **US D557,771 S**

(45) **Date of Patent:** **** Dec. 18, 2007**

(54) **PIPE GASKET**

(75) **Inventor:** **Gerardo Darce**, Heredia (CR)

(73) **Assignee:** **S & B Technical Products, Inc.**, Fort Worth, TX (US)

(**) **Term:** **14 Years**

(21) **Appl. No.:** **29/267,227**

(22) **Filed:** **Oct. 6, 2006**

(51) **LOC (8) Cl.** **23-01**

(52) **U.S. Cl.** **D23/269**

(58) **Field of Classification Search** D23/269;
285/104–105, 337; 277/602, 608, 625–626
See application file for complete search history.

(56) **References Cited**

U.S. PATENT DOCUMENTS

2,953,398	A *	9/1960	Haugen et al.	277/625
3,020,054	A *	2/1962	Driancourt	277/626
4,299,412	A *	11/1981	Parmann	285/110
4,343,480	A *	8/1982	Vassallo	277/615
D289,078	S *	3/1987	Vassallo et al.	D23/269
4,693,483	A *	9/1987	Valls	277/626
4,768,278	A *	9/1988	Pickering et al.	29/511
4,818,209	A *	4/1989	Petersson et al.	425/392
4,834,398	A *	5/1989	Guzowski et al.	277/624
4,927,182	A *	5/1990	Moore	277/616
D322,120	S *	12/1991	du Gay	D23/269
D323,024	S *	1/1992	Petersson et al.	D23/269
5,197,768	A *	3/1993	Conner	285/105
5,205,568	A *	4/1993	Stoll et al.	277/615
5,213,339	A *	5/1993	Walworth	277/314
D347,885	S *	6/1994	Gustafsson	D23/269
D351,459	S *	10/1994	Andersson	D23/269
D374,710	S *	10/1996	Gustafsson	D23/269

6,142,484	A *	11/2000	Valls, Jr.	277/602
6,299,176	B1 *	10/2001	Guzowski et al.	277/604
6,499,744	B1 *	12/2002	Quesada	277/609
6,948,718	B2 *	9/2005	Shaffer et al.	277/626
D514,671	S *	2/2006	Jones	D23/269
7,104,573	B2 *	9/2006	Copeland	285/337
7,125,054	B2 *	10/2006	Jones	285/337
7,134,204	B2 *	11/2006	Corbett et al.	29/890.14
2004/0155458	A1 *	8/2004	Holmes et al.	285/104
2004/0232627	A1 *	11/2004	Corbett, Jr.	277/602
2005/0040645	A1 *	2/2005	Jones	285/105
2006/0071431	A1 *	4/2006	Corbett, Jr.	277/602
2006/0113793	A1 *	6/2006	Owen et al.	285/337
2006/0279080	A1 *	12/2006	Jones et al.	285/104
2007/0013146	A1 *	1/2007	Gariepy	277/608

* cited by examiner

Primary Examiner—Louis S. Zarfaz

Assistant Examiner—Eric L Goodman

(74) *Attorney, Agent, or Firm*—Charles D. Gunter, Jr.

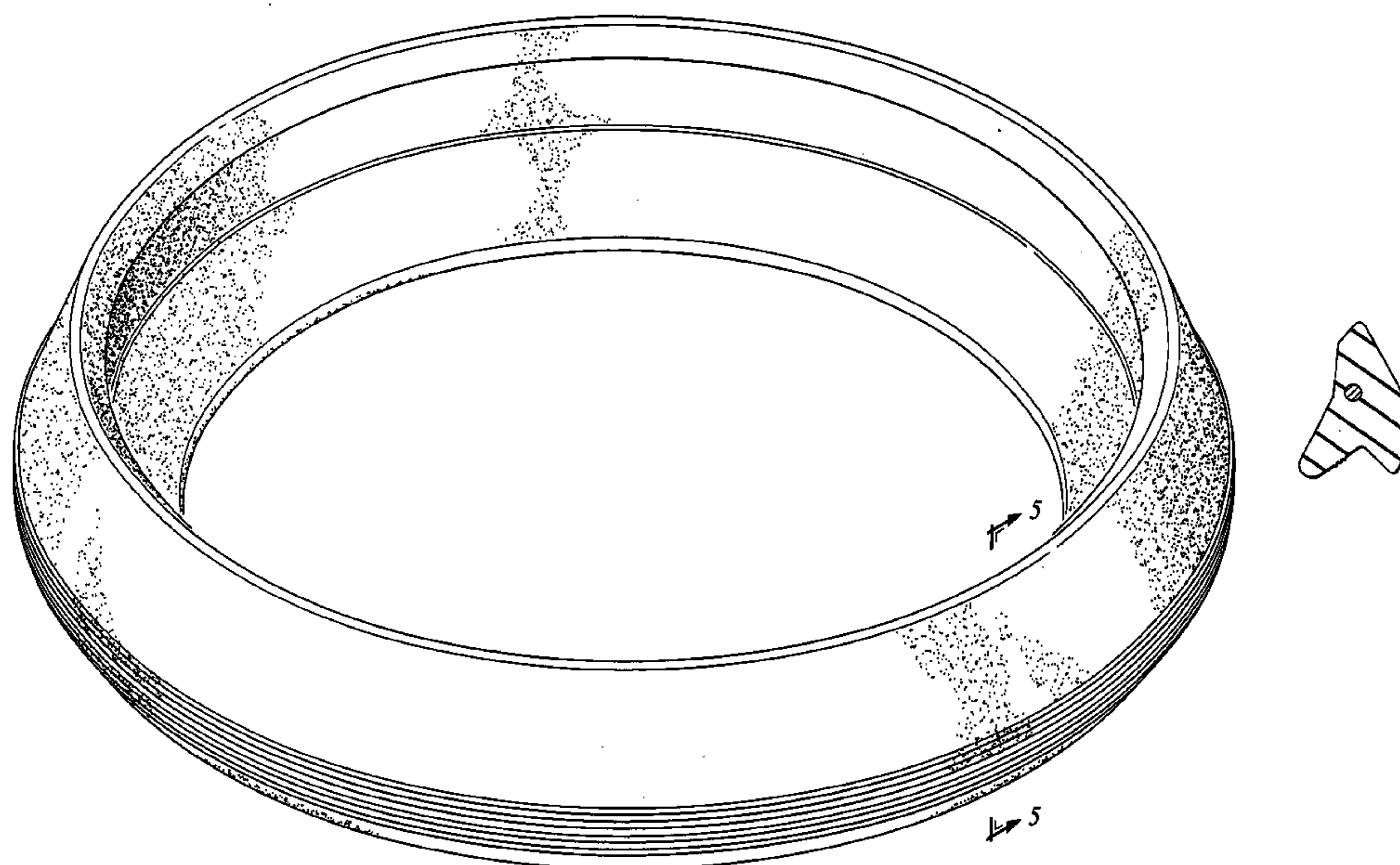
(57) **CLAIM**

The ornamental design for a pipe gasket, as shown and described.

DESCRIPTION

FIG. 1 is a perspective view of the pipe gasket of the invention showing the overall profile of the gasket; FIG. 2 is a side view of the pipe gasket of FIG. 1; FIG. 3 is a top view of the pipe gasket of FIG. 1; FIG. 4 is a bottom view of the pipe gasket of FIG. 1; and, FIG. 5 is a cross-sectional view of the pipe gasket showing the detail of the external surfaces of the gasket, taken along lines 5—5 as shown in FIG. 1.

1 Claim, 3 Drawing Sheets



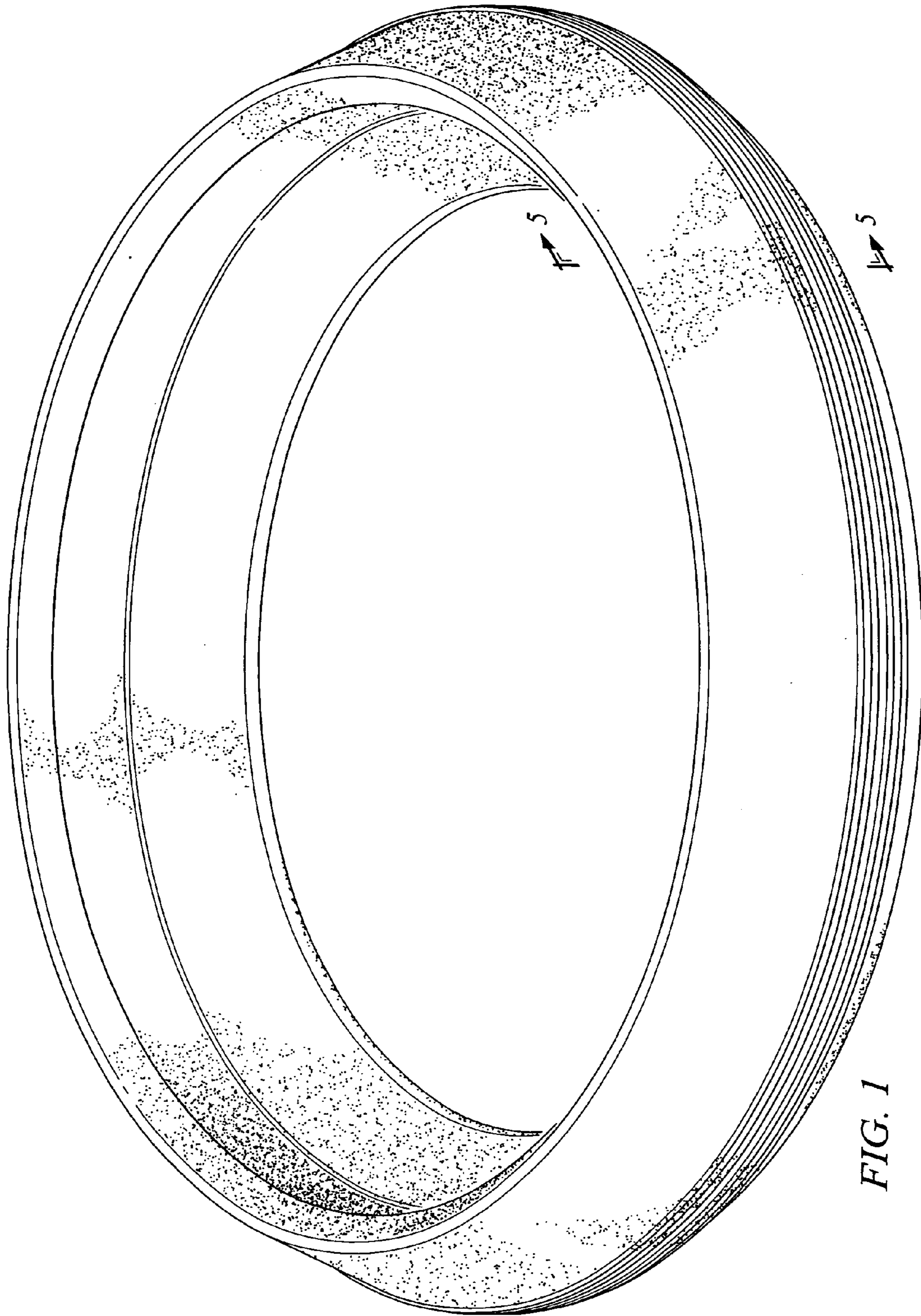


FIG. 1

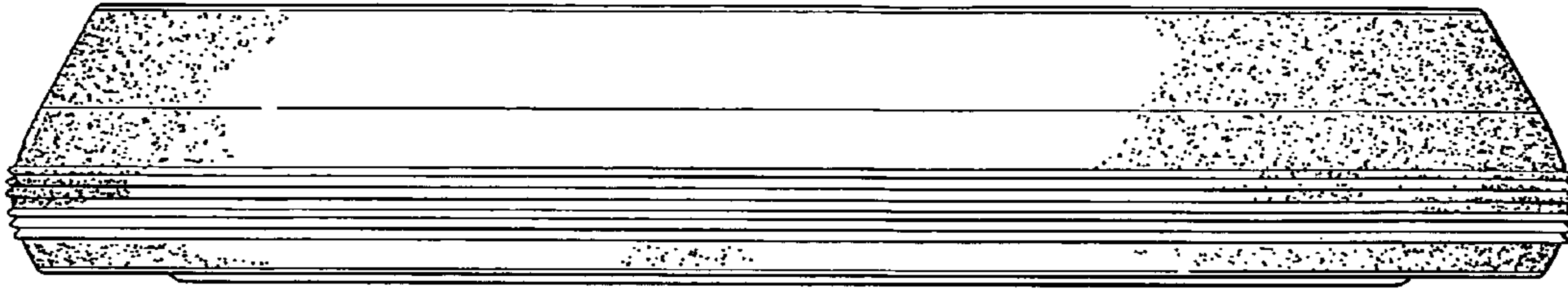


FIG. 2

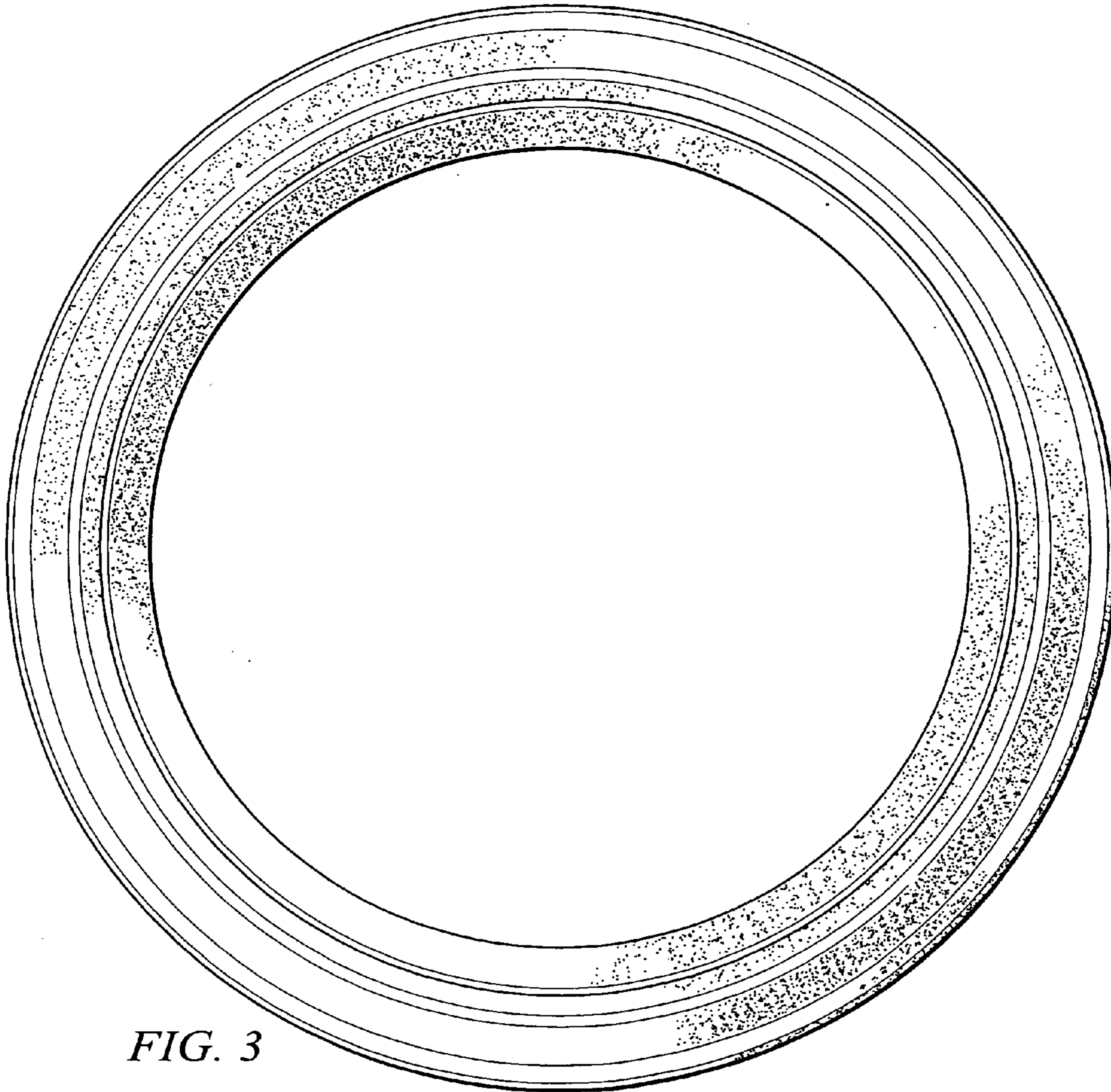


FIG. 3

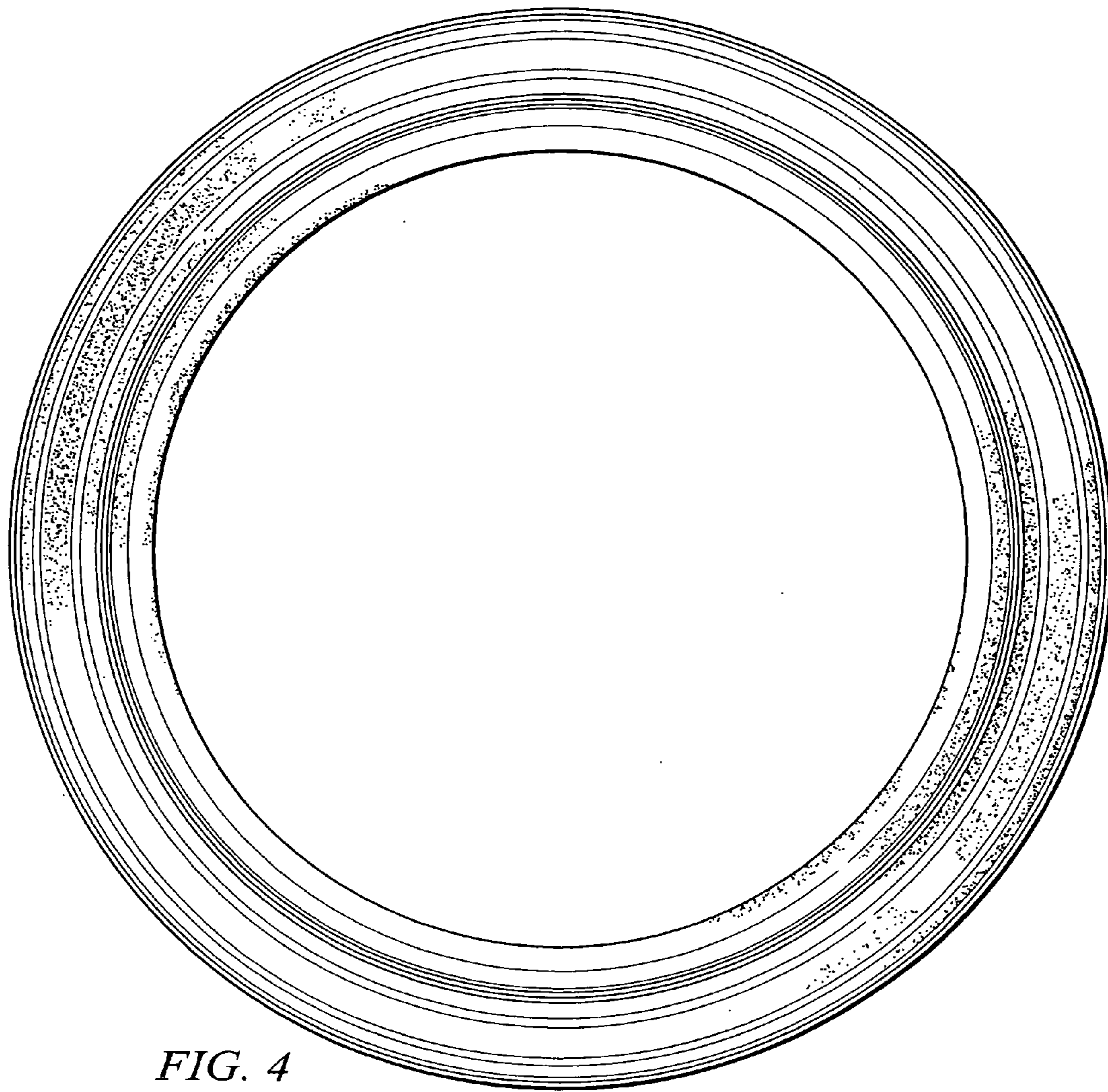


FIG. 4

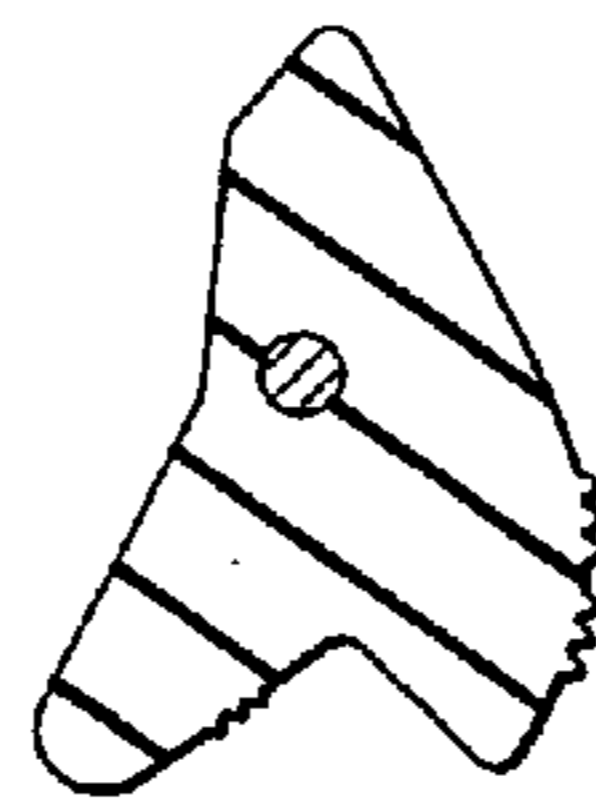


FIG. 5