



US00D557766S

(12) **United States Design Patent**
Hoernig

(10) **Patent No.:** **US D557,766 S**

(45) **Date of Patent:** **** Dec. 18, 2007**

(54) **HAND SHOWER**

(75) Inventor: **Victor Hoernig**, Lowell, IN (US)

(73) Assignee: **Masco Corporation of Indiana**,
Indianapolis, IN (US)

(**) Term: **14 Years**

(21) Appl. No.: **29/276,917**

(22) Filed: **Feb. 9, 2007**

(51) **LOC (8) Cl.** **23-01**

(52) **U.S. Cl.** **D23/223**

(58) **Field of Classification Search** D23/213,
D23/223, 226; 239/394, 462, 282-3; 4/615
See application file for complete search history.

(56) **References Cited**

U.S. PATENT DOCUMENTS

D212,535 S	*	10/1968	Barker	D23/223
D253,069 S	*	10/1979	Ogilvie	D23/223
D309,495 S	*	7/1990	Ramsey et al.	D23/223
D542,887 S	*	5/2007	Cutler	D23/223

* cited by examiner

Primary Examiner—Robin V Webster

(74) *Attorney, Agent, or Firm*—Leon E. Redman; Lloyd D. Doigan

(57) **CLAIM**

The ornamental design for a hand shower, as shown and described.

DESCRIPTION

FIG. 1 is a front perspective view of a hand shower showing my new design;

FIG. 2 is a left side elevational view thereof;

FIG. 3 is a right side elevational view thereof;

FIG. 4 is a top plan view thereof;

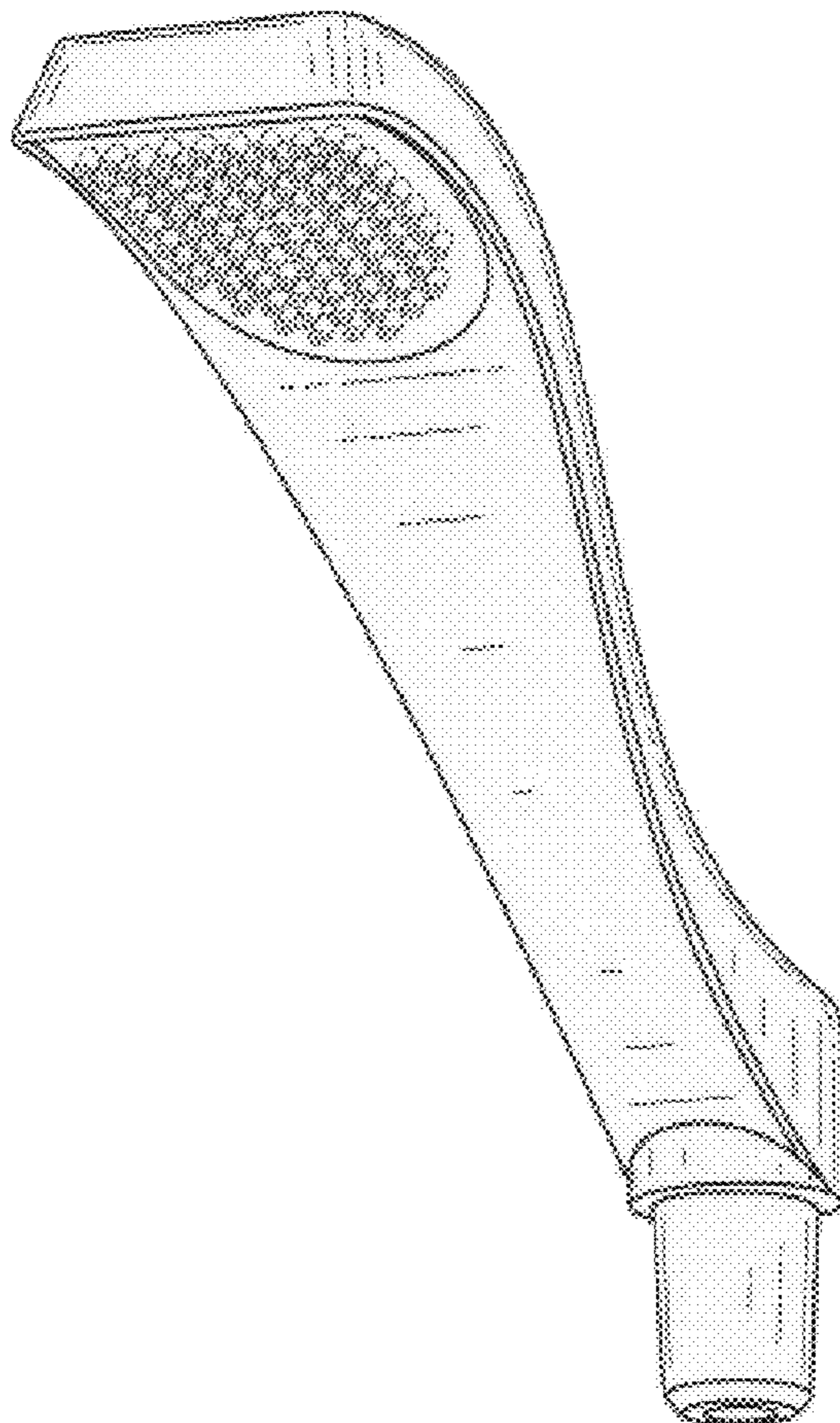
FIG. 5 is a bottom plan view thereof;

FIG. 6 is a front elevational view thereof; and,

FIG. 7 is a rear elevational view thereof.

The broken lines in the Figures are for illustrative purposes only and form no part of the claimed design.

1 Claim, 7 Drawing Sheets



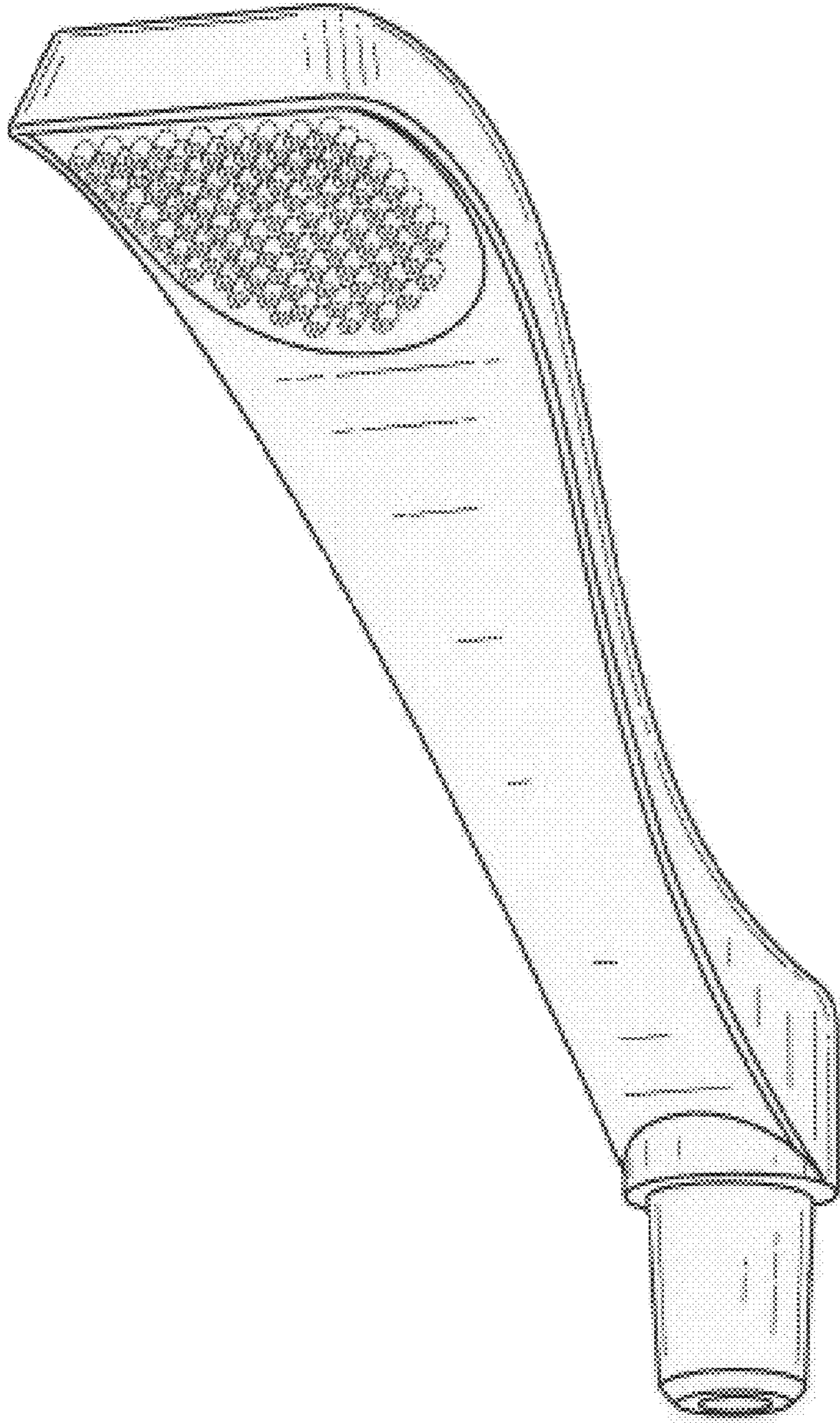


FIG. 1

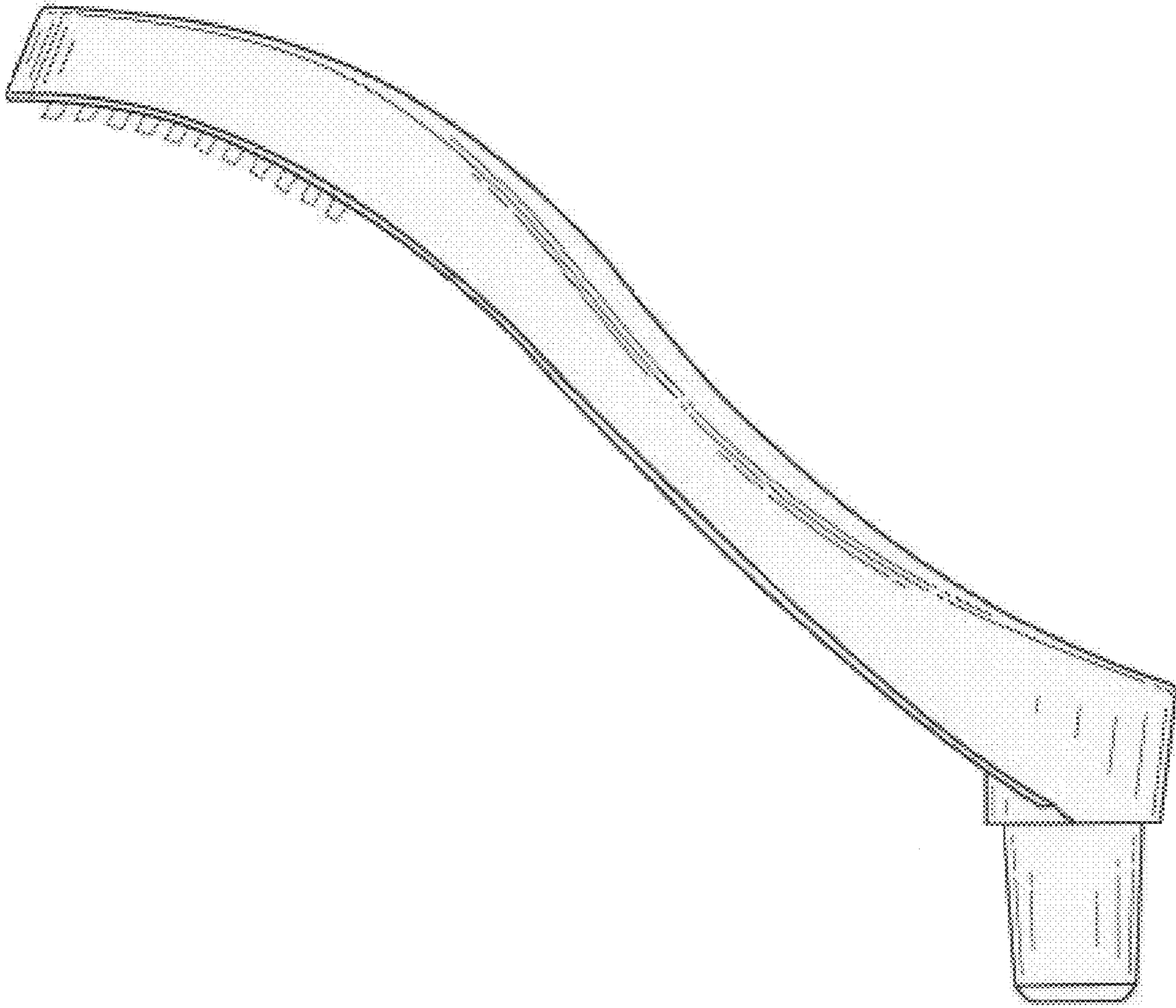


FIG. 2

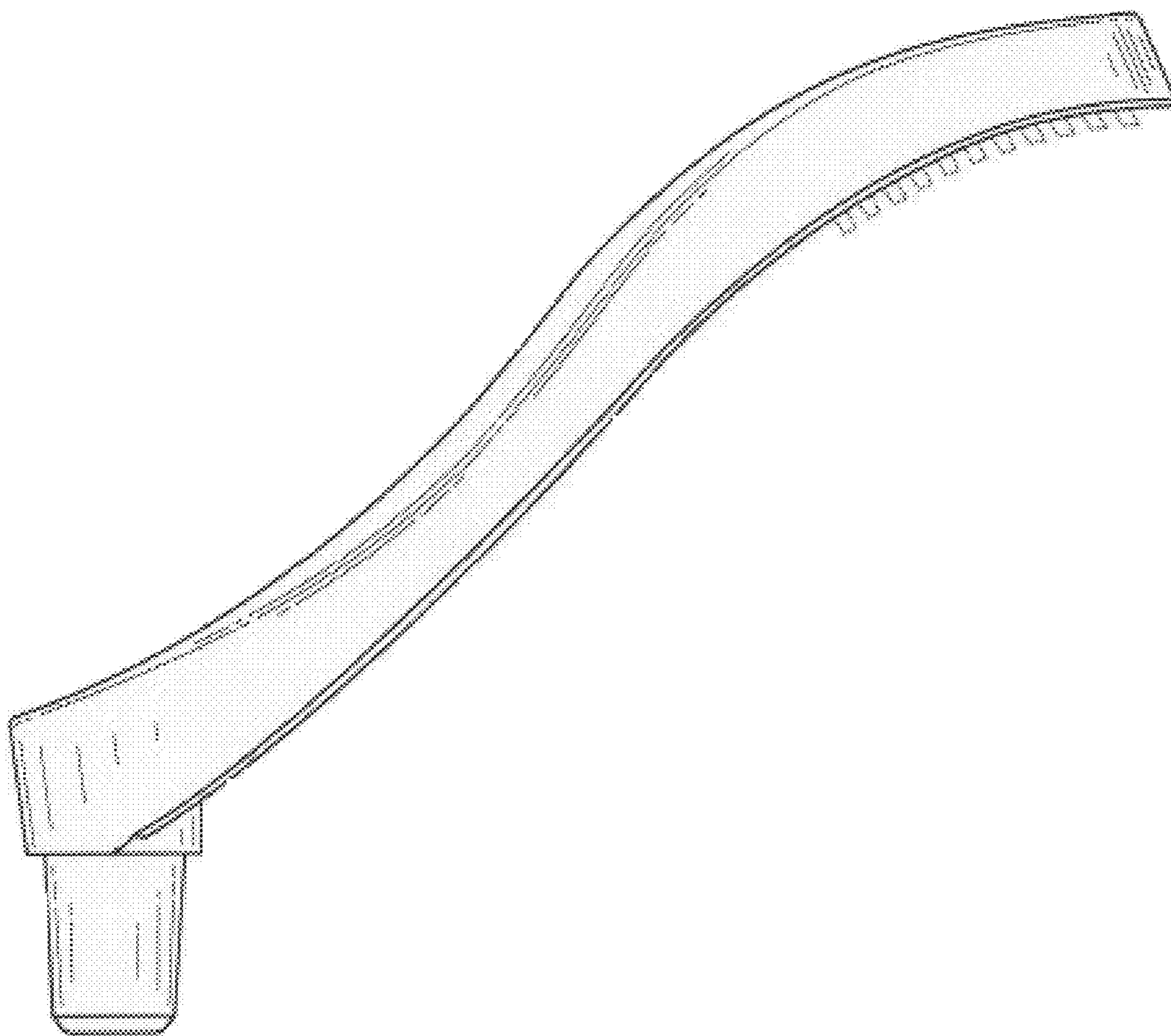


FIG. 3

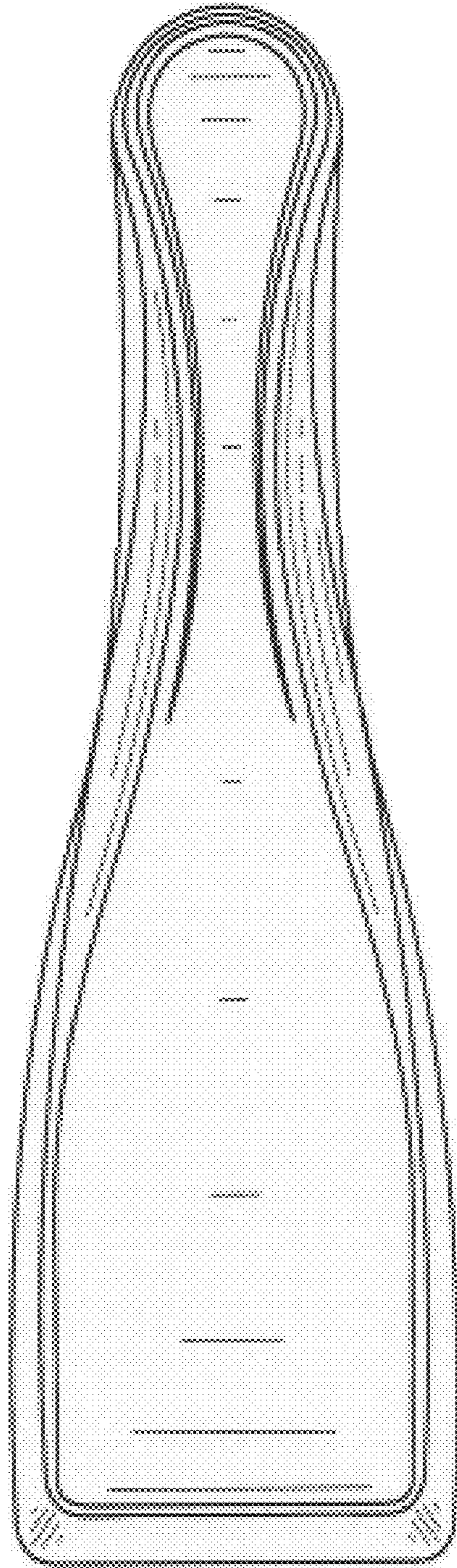


FIG. 4

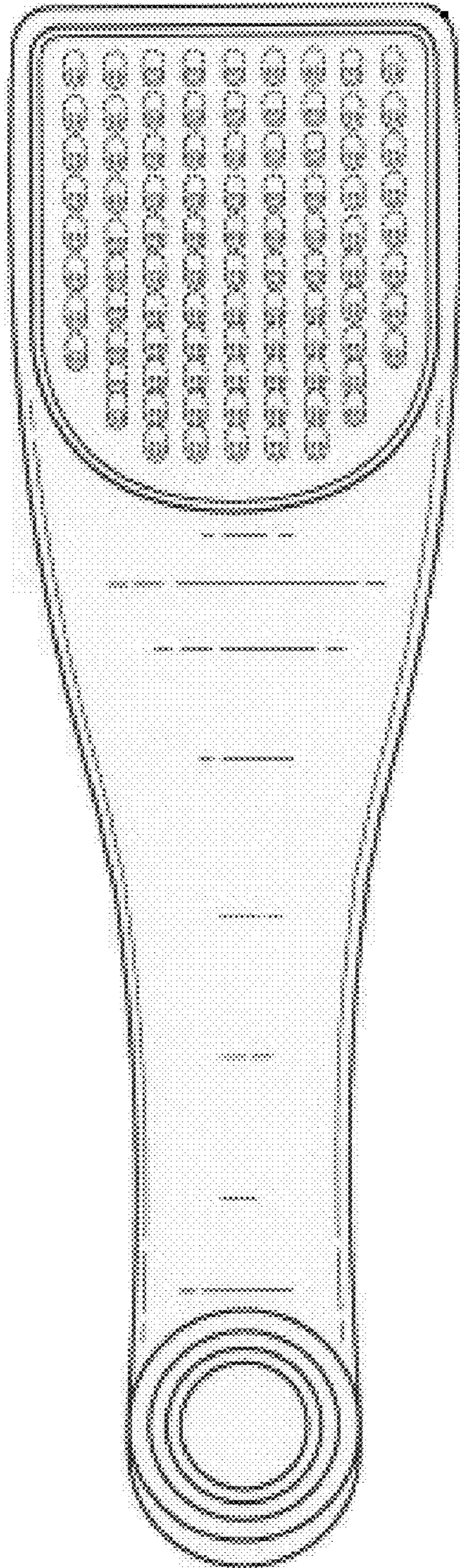


FIG. 5

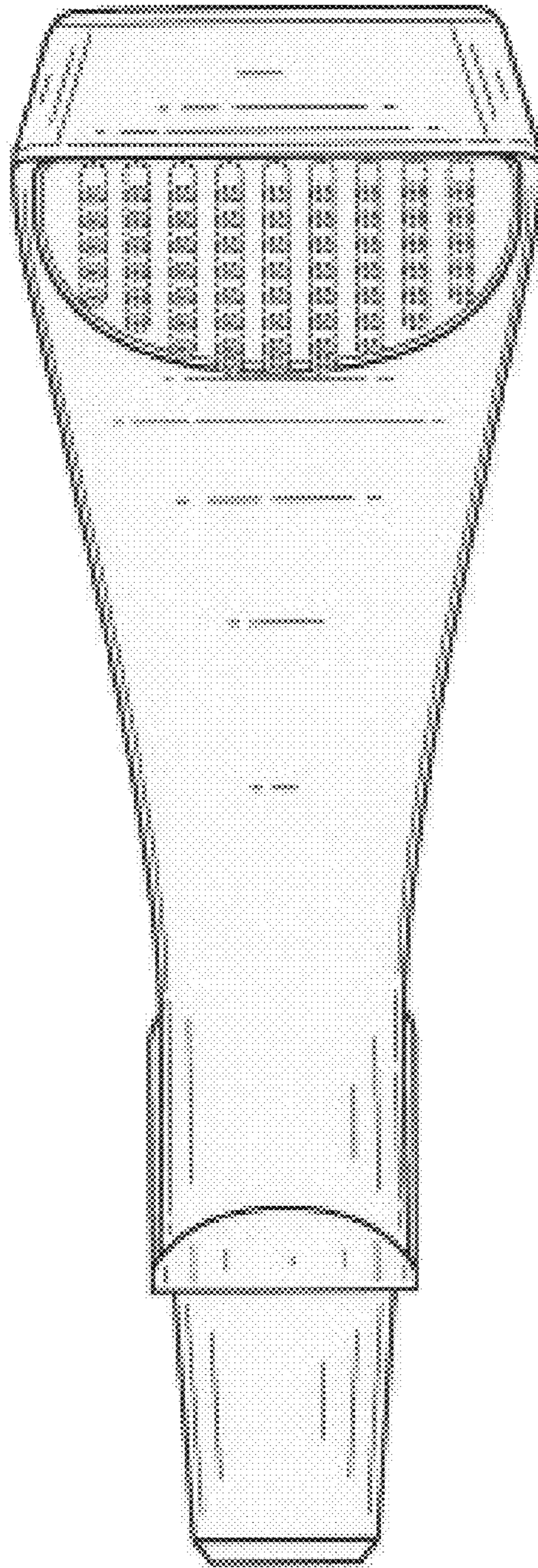


FIG. 6

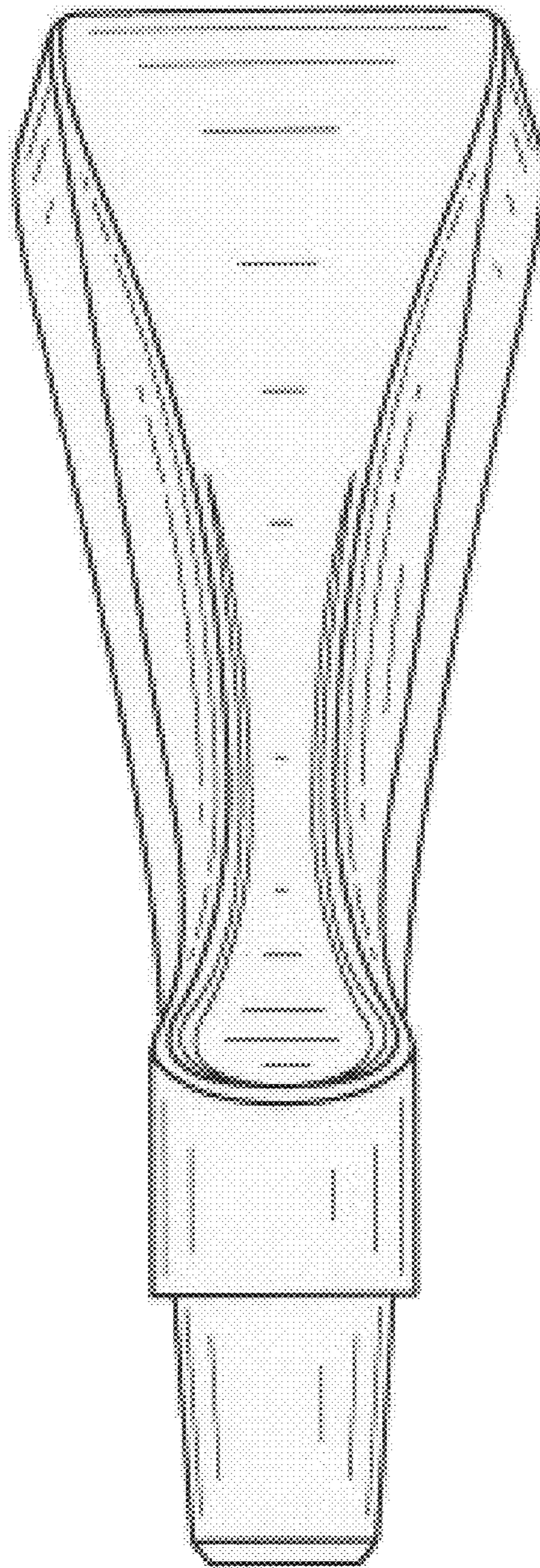


FIG. 7