



US00D557765S

(12) **United States Design Patent**
Schönherr et al.

(10) **Patent No.:** **US D557,765 S**

(45) **Date of Patent:** **** Dec. 18, 2007**

(54) **SHOWER HEAD FACE**

(75) Inventors: **Tom Schönherr**, Stuttgart (DE);
Fabian Kollmann, Stuttgart (DE)

(73) Assignee: **Hansgrohe AG** (DE)

(**) Term: **14 Years**

(21) Appl. No.: **29/277,224**

(22) Filed: **Feb. 19, 2007**

(30) **Foreign Application Priority Data**

Aug. 22, 2006 (EM) 000579586-0006

(51) **LOC (8) Cl.** **23-01**

(52) **U.S. Cl.** **D23/213**

(58) **Field of Classification Search** D23/213,
D23/223, 226; 239/394, 462, 282-3; 4/615
See application file for complete search history.

(56) **References Cited**

U.S. PATENT DOCUMENTS

D386,244 S * 11/1997 Caroen et al. D23/229
D394,899 S * 6/1998 Caroen et al. D23/229
D486,888 S * 2/2004 Lobermeier D23/229

D497,974 S * 11/2004 Haug et al. D23/223
D501,242 S * 1/2005 Blomstrom D23/229
D511,809 S * 11/2005 Haug et al. D23/223
D513,525 S * 1/2006 Haug et al. D23/223
D524,410 S * 7/2006 Tse D23/229
D531,694 S * 11/2006 Kirar D23/213

* cited by examiner

Primary Examiner—Robin V Webster

(74) *Attorney, Agent, or Firm*—Leon E. Redman; Lloyd D. Doigan

(57) **CLAIM**

The ornamental design for a shower head face, as shown and described.

DESCRIPTION

FIG. 1 is a front perspective view of a shower head face showing our design;

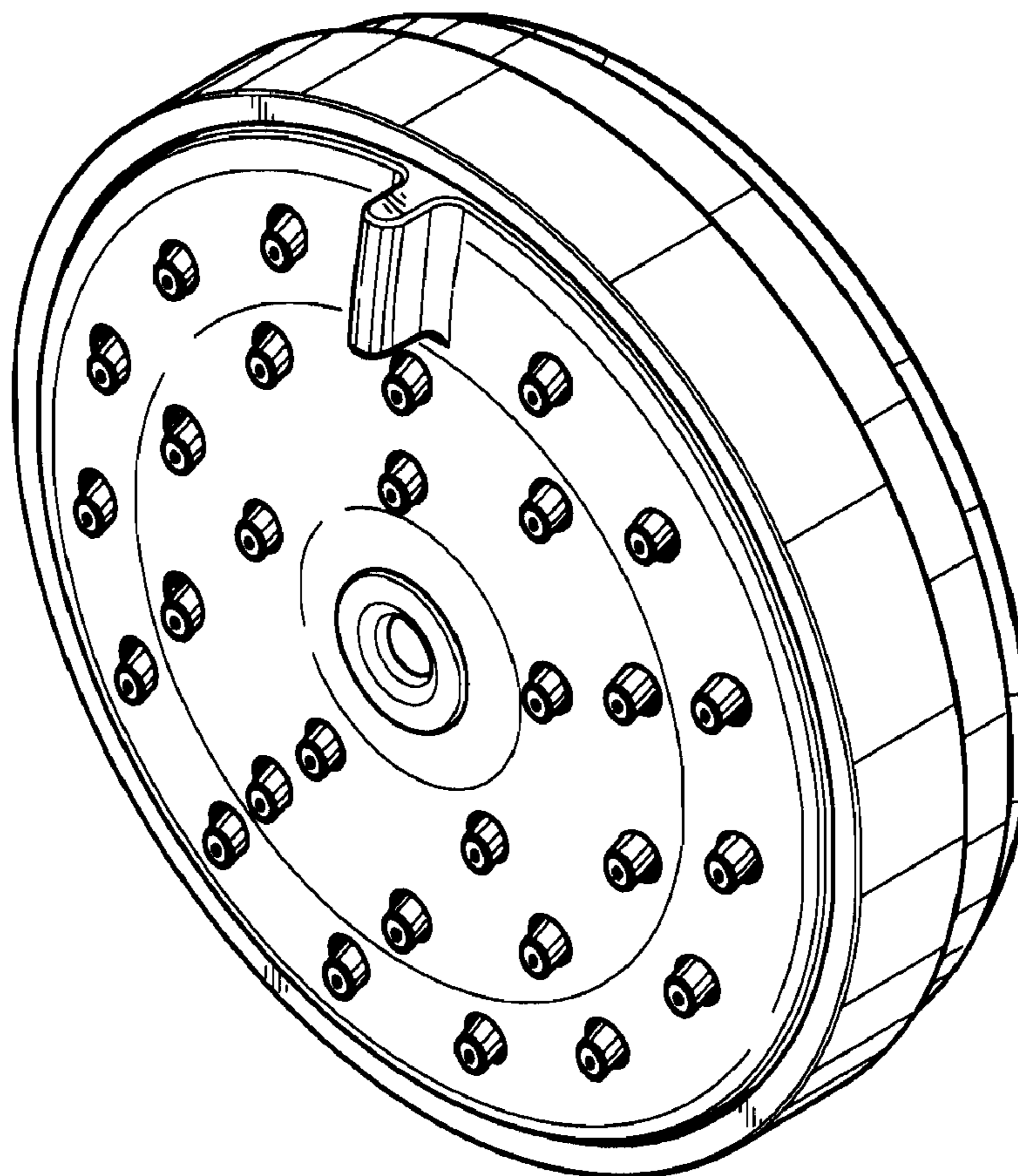
FIG. 2 is a top plan view thereof;

FIG. 3 is a front elevational view thereof;

FIG. 4 is a bottom plan view thereof; and,

FIG. 5 is a left side elevational view thereof.

1 Claim, 2 Drawing Sheets



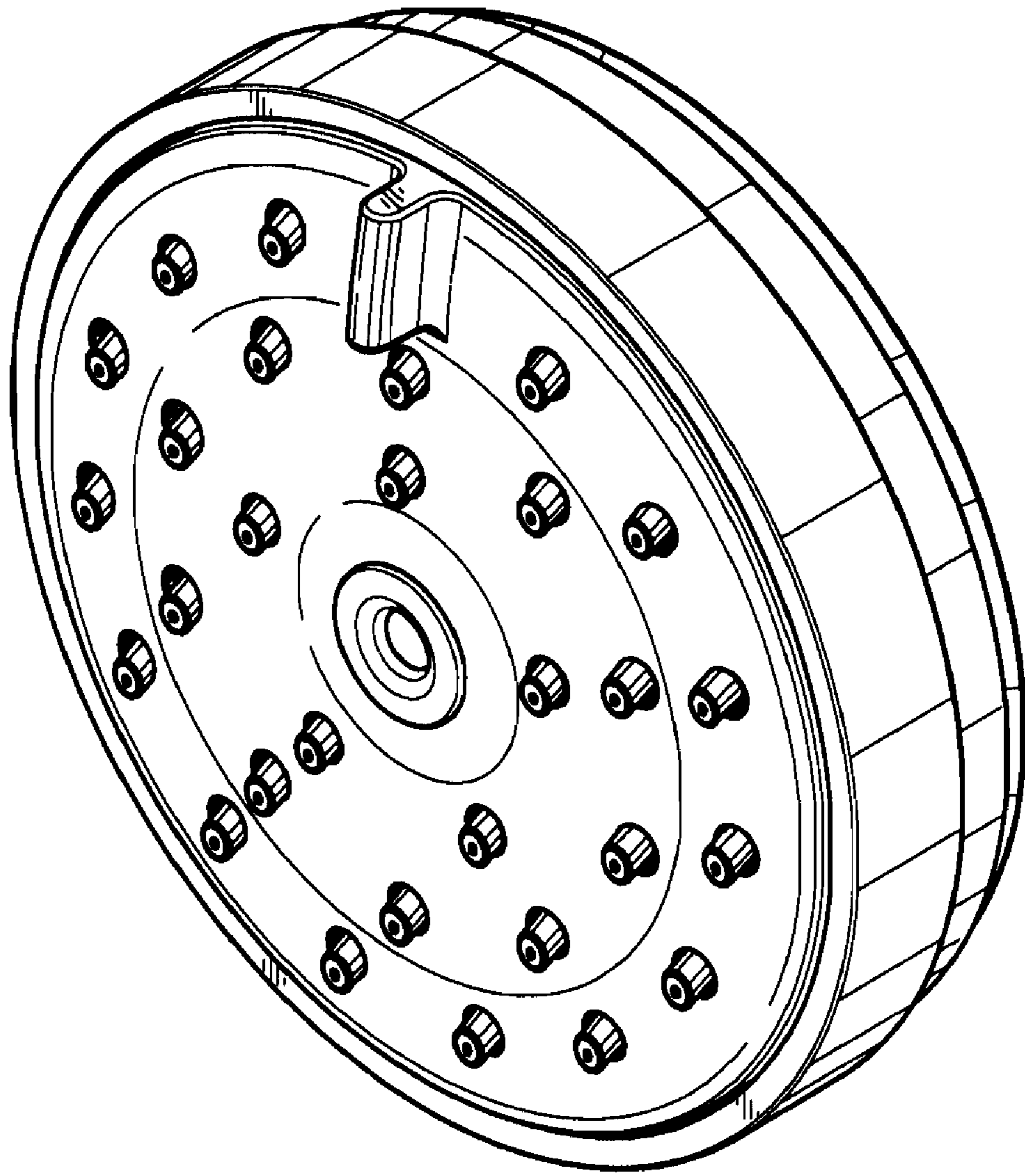


FIG. 1

FIG. 2

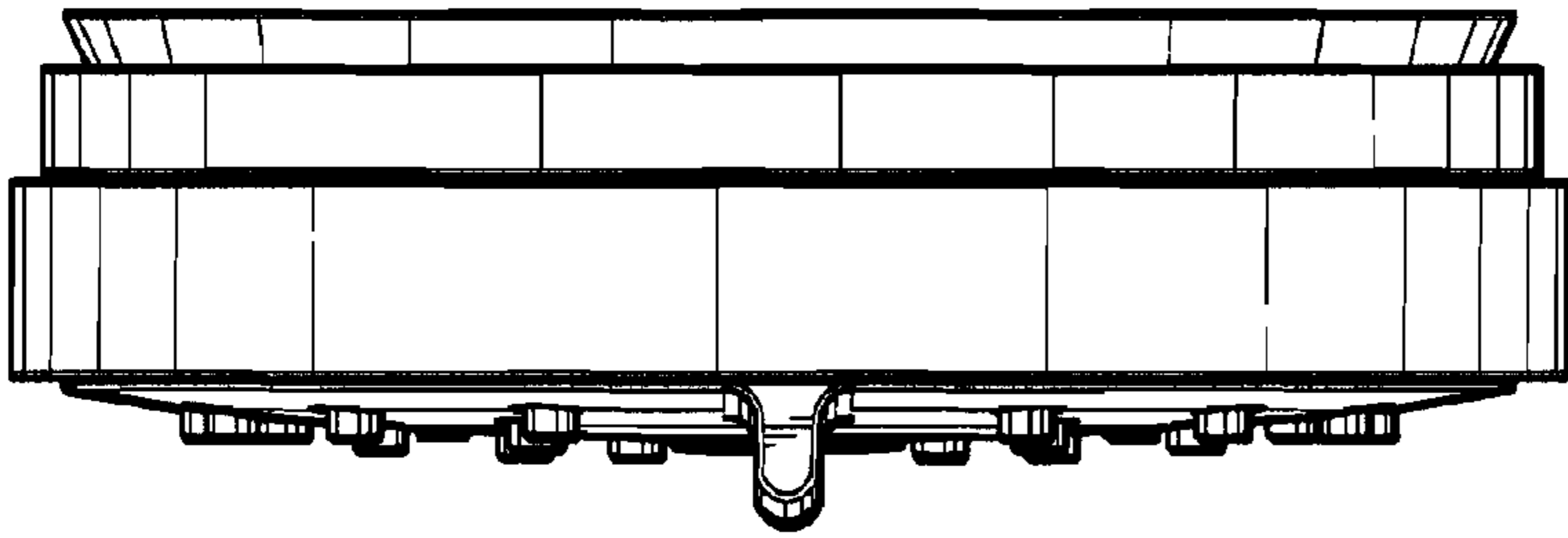


FIG. 3

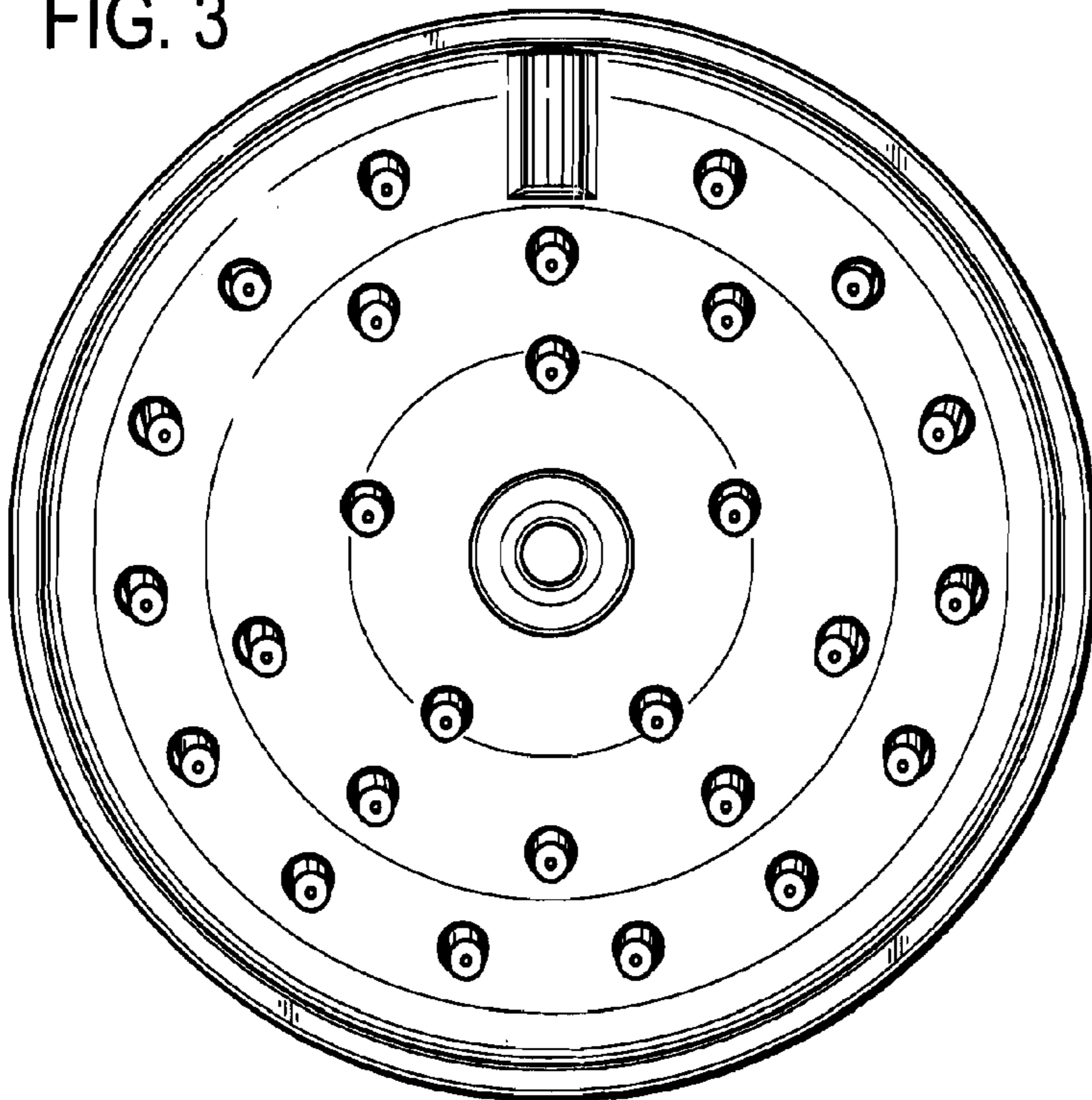


FIG. 4

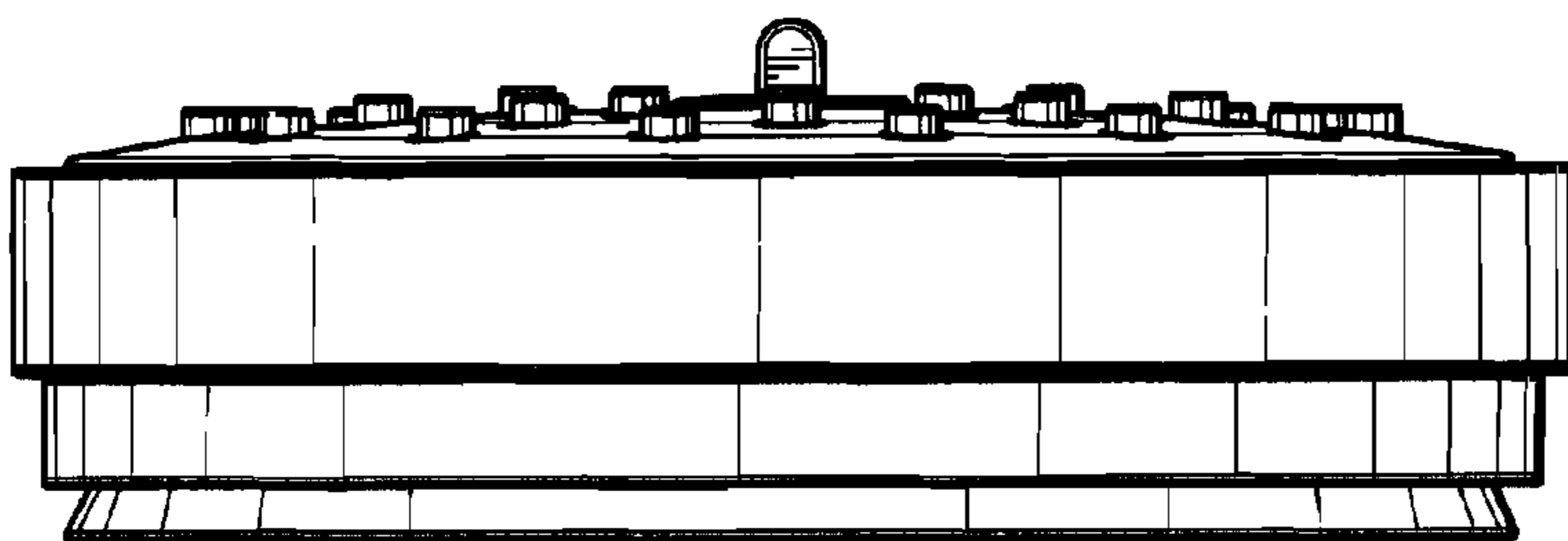


FIG. 5

