



US00D557755S

(12) **United States Design Patent**
Greenman

(10) **Patent No.:** **US D557,755 S**

(45) **Date of Patent:** **** Dec. 18, 2007**

(54) **BACK SIDE APERTURE, SLANT END BODY PAINTBALL MARKER**

2003/0178018 A1* 9/2003 Cherry 124/76

* cited by examiner

(75) Inventor: **Nathan Greenman**, Bella Vista, AR (US)

Primary Examiner—Holly H. Baynham

Assistant Examiner—Cynthia M. Chin

(73) Assignee: **JT USA, LLC**, Bentonville, AR (US)

(74) *Attorney, Agent, or Firm*—Keisling Pieper & Scott PLC; David B. Pieper; Meredith K. Lowry

(**) Term: **14 Years**

(57) **CLAIM**

(21) Appl. No.: **29/264,603**

The ornamental design for a back side aperture, slant end body paintball marker device, as shown and described.

(22) Filed: **Aug. 11, 2006**

(51) **LOC (8) Cl.** **21-01**

DESCRIPTION

(52) **U.S. Cl.** **D21/573**

(58) **Field of Classification Search** D21/567,
D21/570–575; D22/100, 101, 103, 104,
D22/108, 109; 124/41.1, 45, 49, 51.1, 55,
124/56, 69, 70–74, 79

FIG. 1 is a top back isometric view of a back side aperture, slant end body paintball marker showing my new design;

FIG. 2 is a left side elevational view thereof;

FIG. 3 is a top plan view thereof;

FIG. 4 is a bottom plan view thereof;

FIG. 5 is right side elevational view thereof;

FIG. 6 is a front elevational view thereof; and,

FIG. 7 is a back elevational view thereof;

See application file for complete search history.

(56) **References Cited**

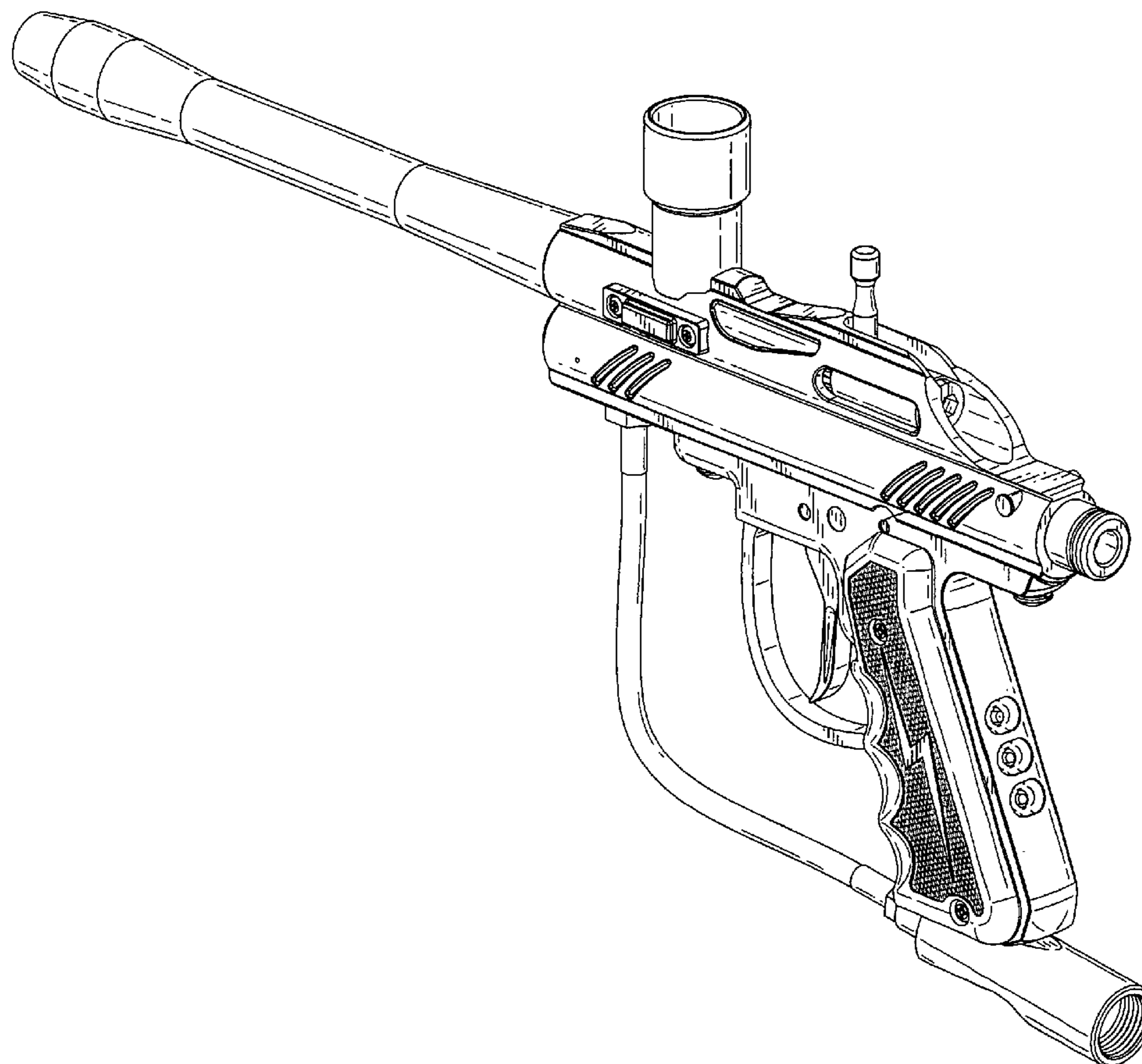
U.S. PATENT DOCUMENTS

D337,627 S * 7/1993 Moran D21/572

D536,043 S * 1/2007 Tippmann et al. D21/573

2002/0096164 A1* 7/2002 Perrone 124/77

1 Claim, 3 Drawing Sheets



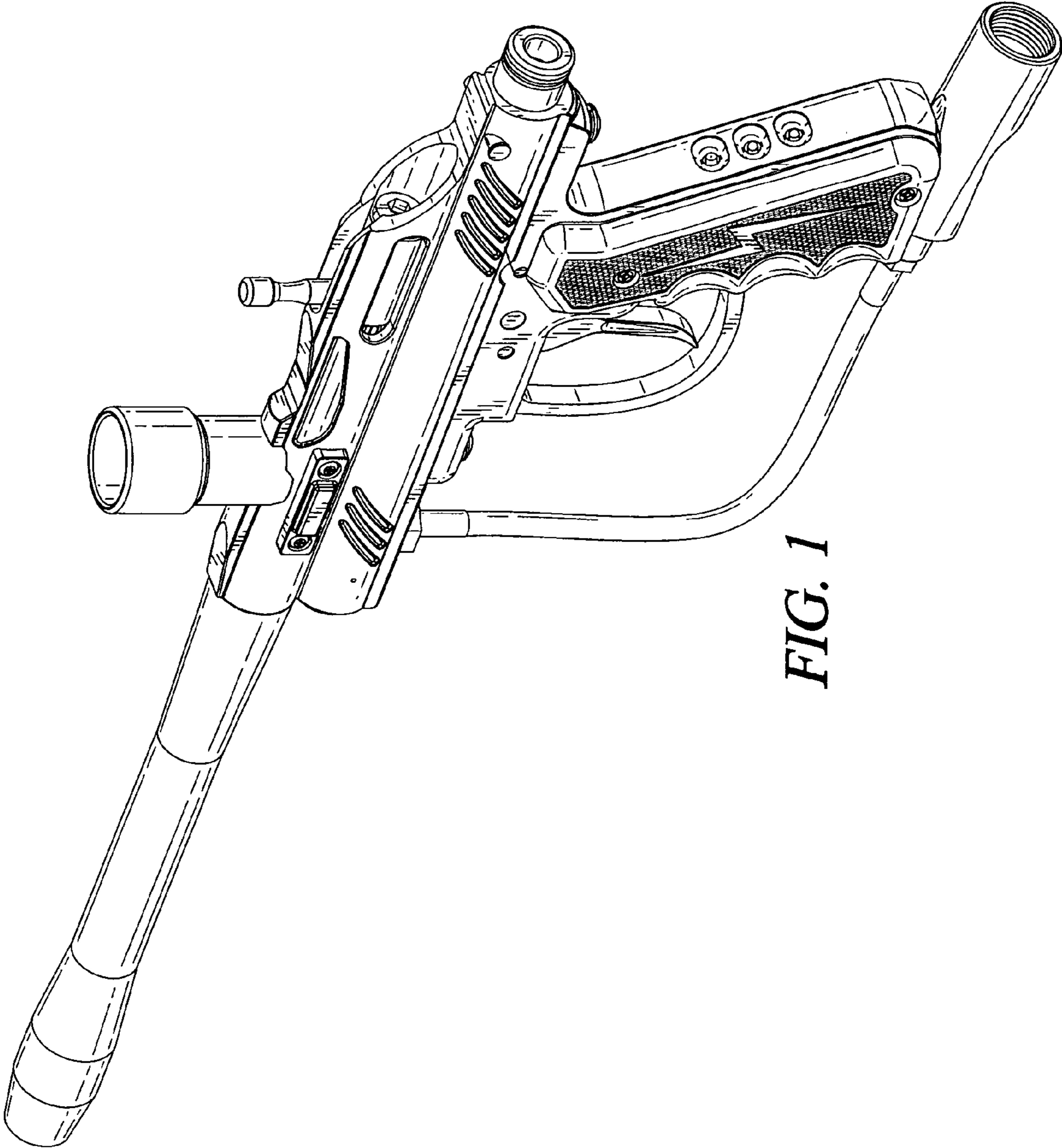


FIG. 1

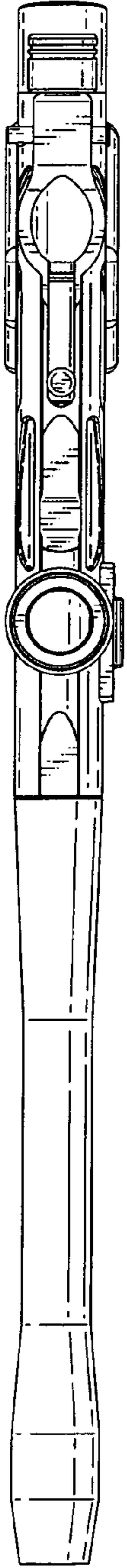


FIG. 3

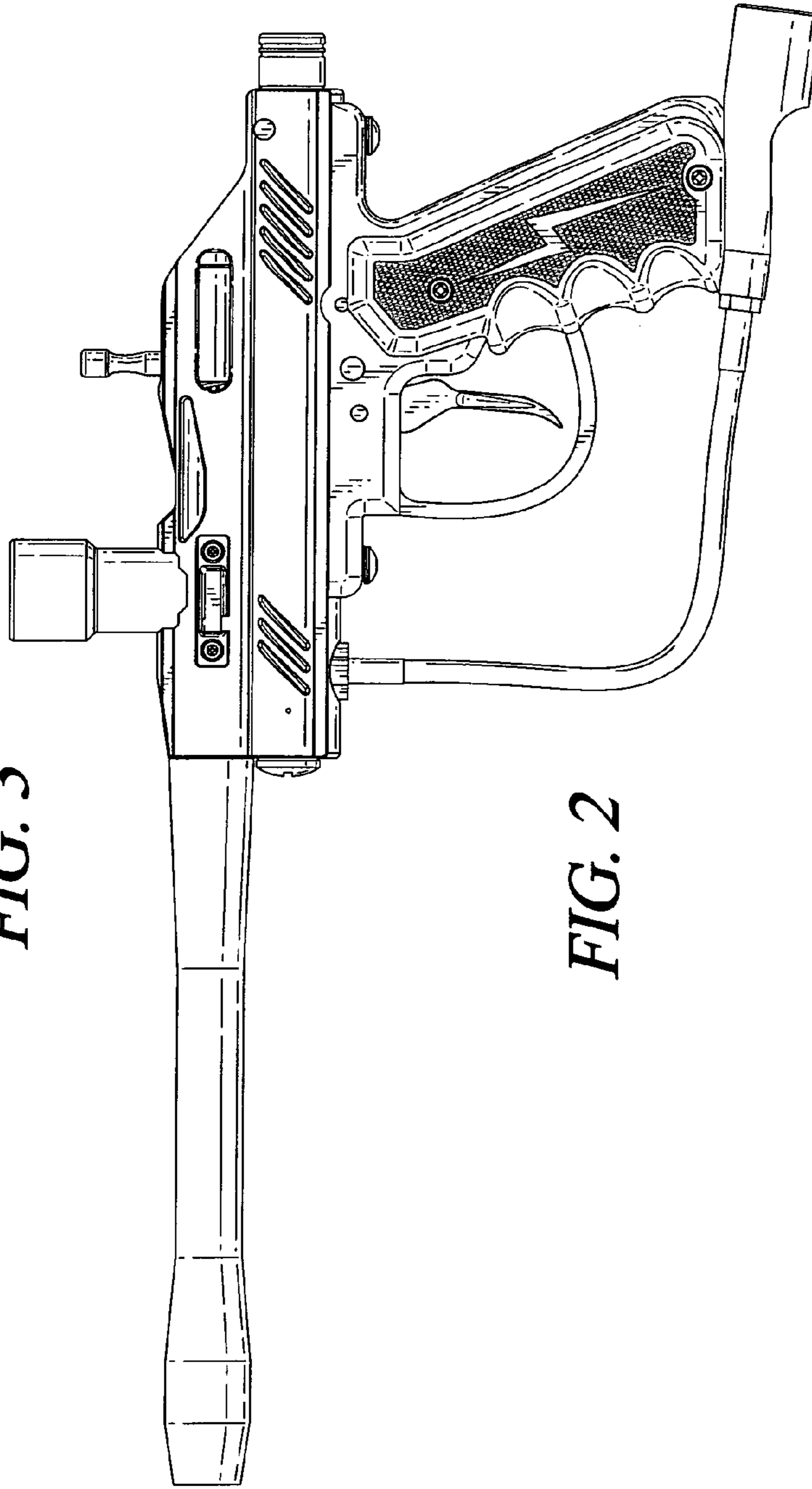


FIG. 2

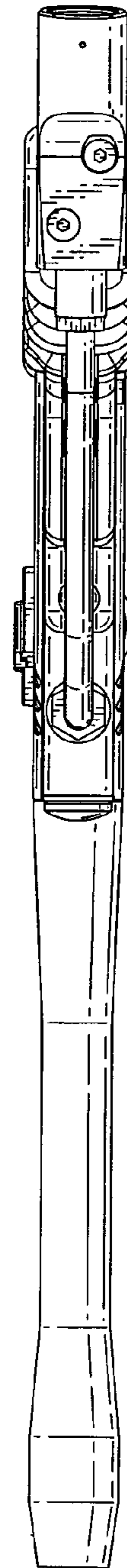


FIG. 4

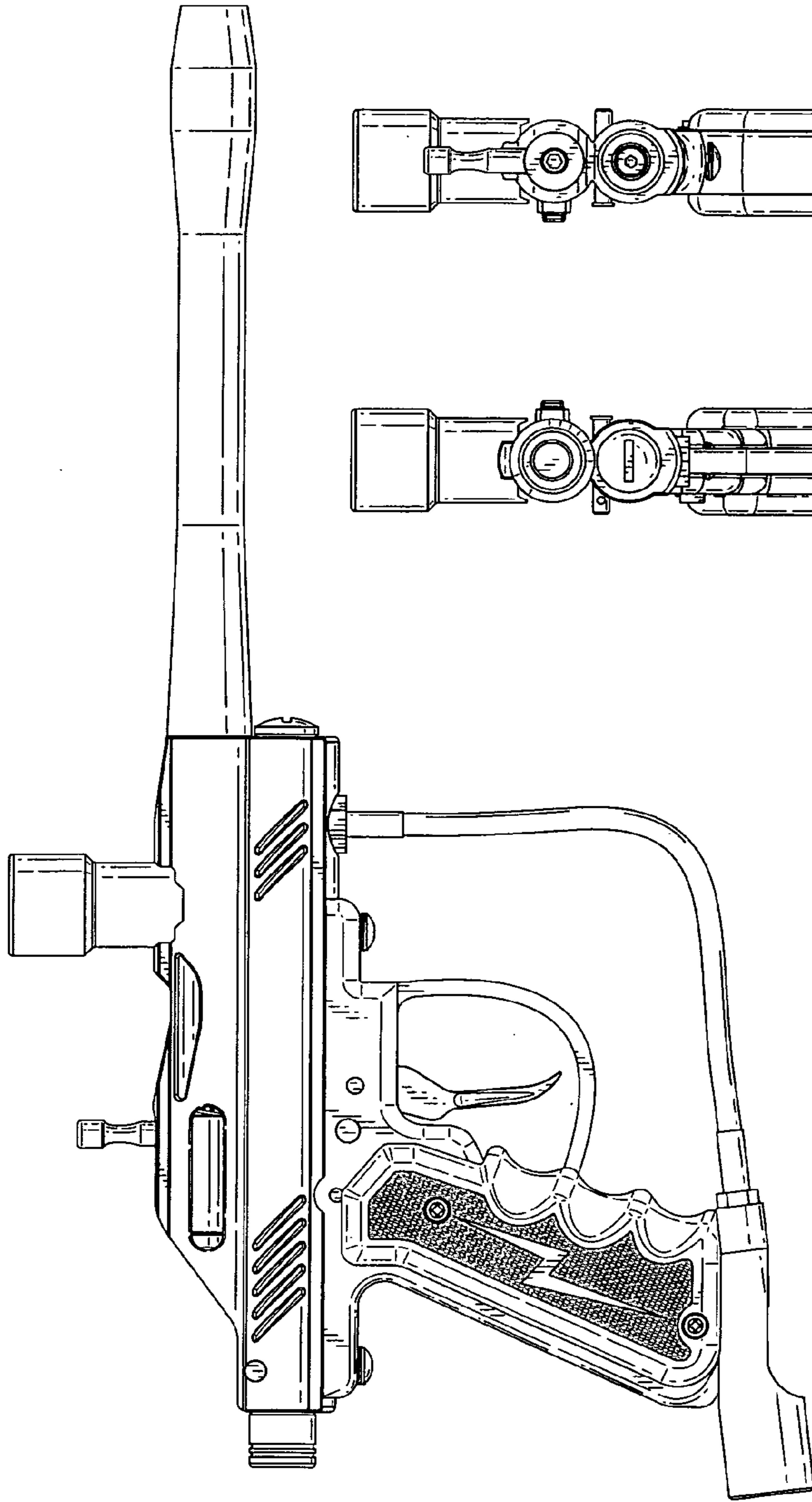


FIG. 5

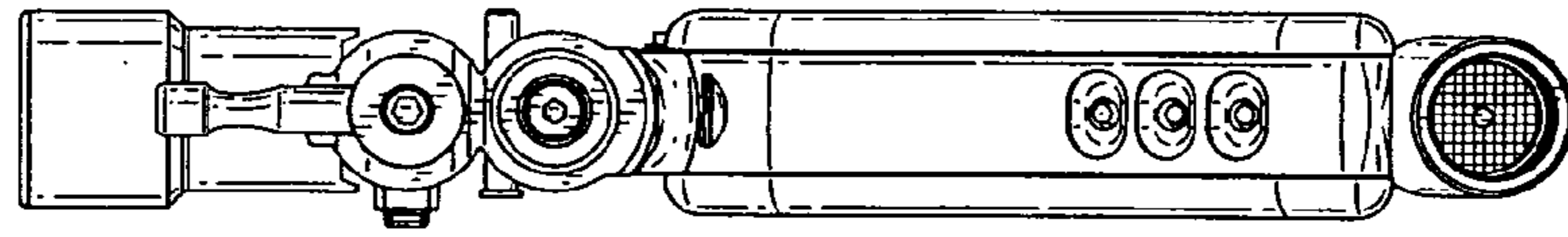


FIG. 6

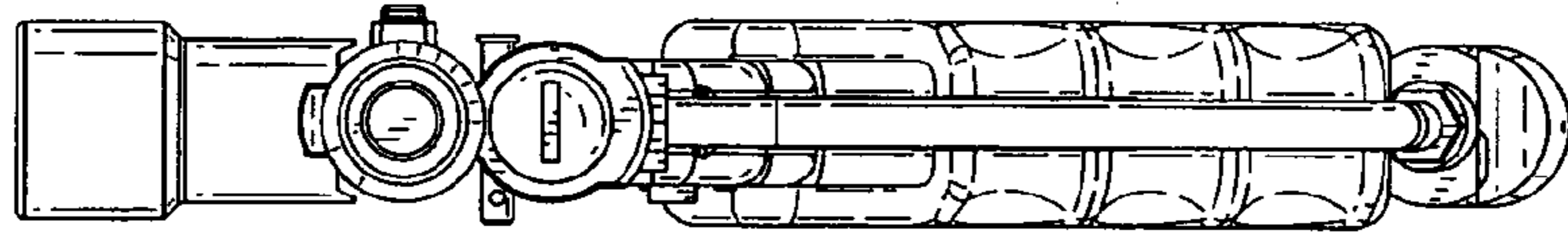


FIG. 7