



US00D557754S

(12) **United States Design Patent**
Halmone et al.

(10) **Patent No.:** **US D557,754 S**

(45) **Date of Patent:** **** Dec. 18, 2007**

(54) **PAINTBALL MARKER**

D423,610 S * 4/2000 Lebensfeld et al. D21/573
D523,096 S * 6/2006 Pflaumer et al. D21/573

(75) Inventors: **Fabrice Halmone**, Bonne (FR); **Stuart Karten**, Venice, CA (US); **Eric Olson**, Los Angeles, CA (US); **Simon Sollberger**, Santa Monica, CA (US); **Steve Piorek**, Los Angeles, CA (US)

* cited by examiner

Primary Examiner—Holly H. Baynham

Assistant Examiner—Cynthia M. Chin

(74) *Attorney, Agent, or Firm*—Jones Day

(73) Assignee: **Kingman International Corporation**, Baldwin Park, CA (US)

(57) **CLAIM**

(**) Term: **14 Years**

The ornamental design for a paintball marker, as shown and described.

(21) Appl. No.: **29/254,467**

(22) Filed: **Feb. 22, 2006**

DESCRIPTION

(51) **LOC (8) Cl.** **21-01**

(52) **U.S. Cl.** **D21/573**

(58) **Field of Classification Search** D21/567,
D21/570–575; D22/100, 101, 103, 104,
D22/108, 109; 124/41.1, 45, 49, 51.1, 55,
124/56, 69, 70–74, 79

See application file for complete search history.

FIG. 1 is a perspective view of the paintball marker.

FIG. 2 is a left side view of the paintball marker.

FIG. 3 is a front view of the paintball marker.

FIG. 4 is a rear view of the paintball marker.

FIG. 5 is a top view of the paintball marker.

FIG. 6 is a right side view of the paintball marker; and,

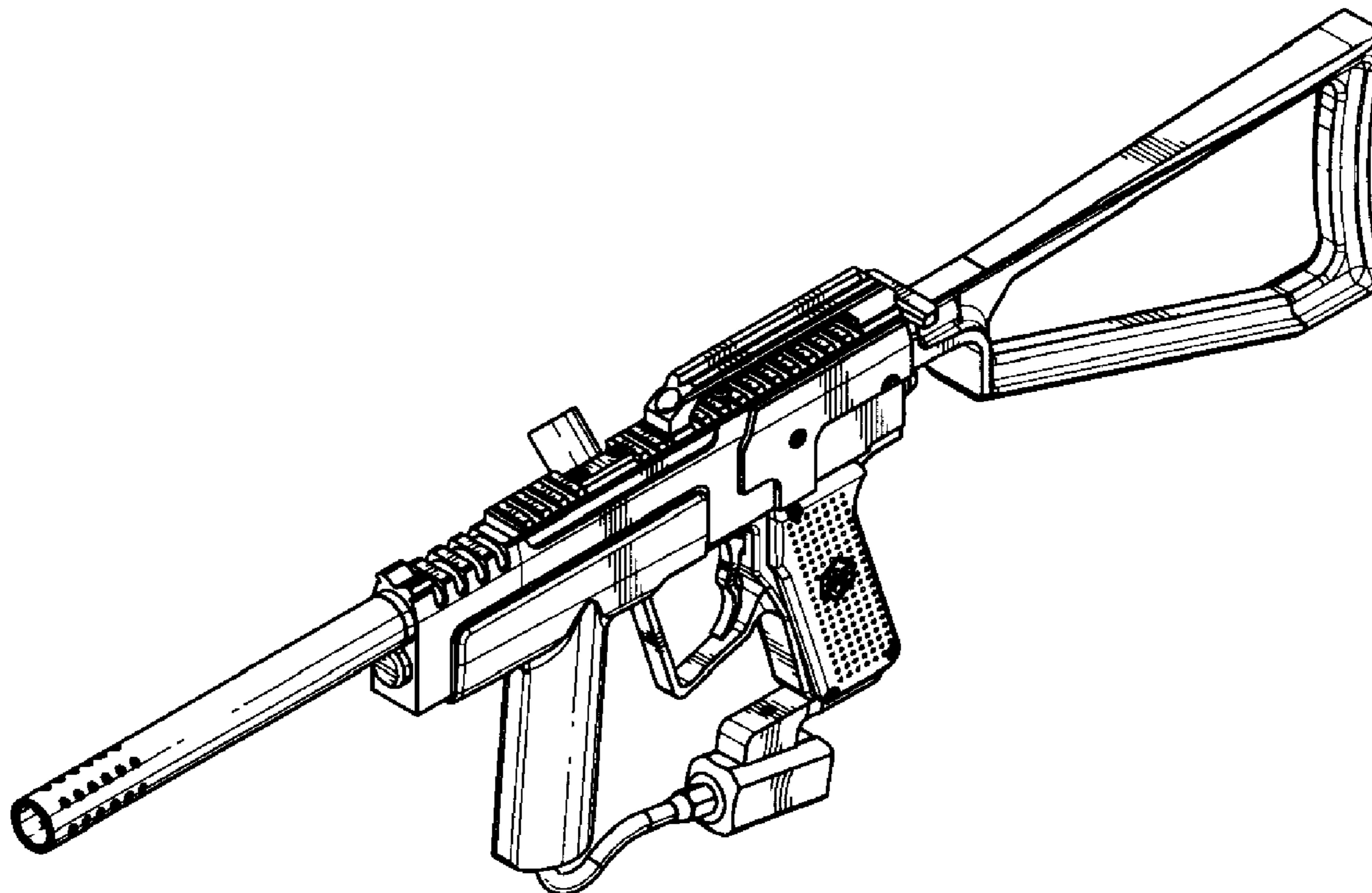
FIG. 7 is a bottom side view of the paintball marker.

(56) **References Cited**

U.S. PATENT DOCUMENTS

D324,552 S * 3/1992 Morrison D21/573

1 Claim, 2 Drawing Sheets



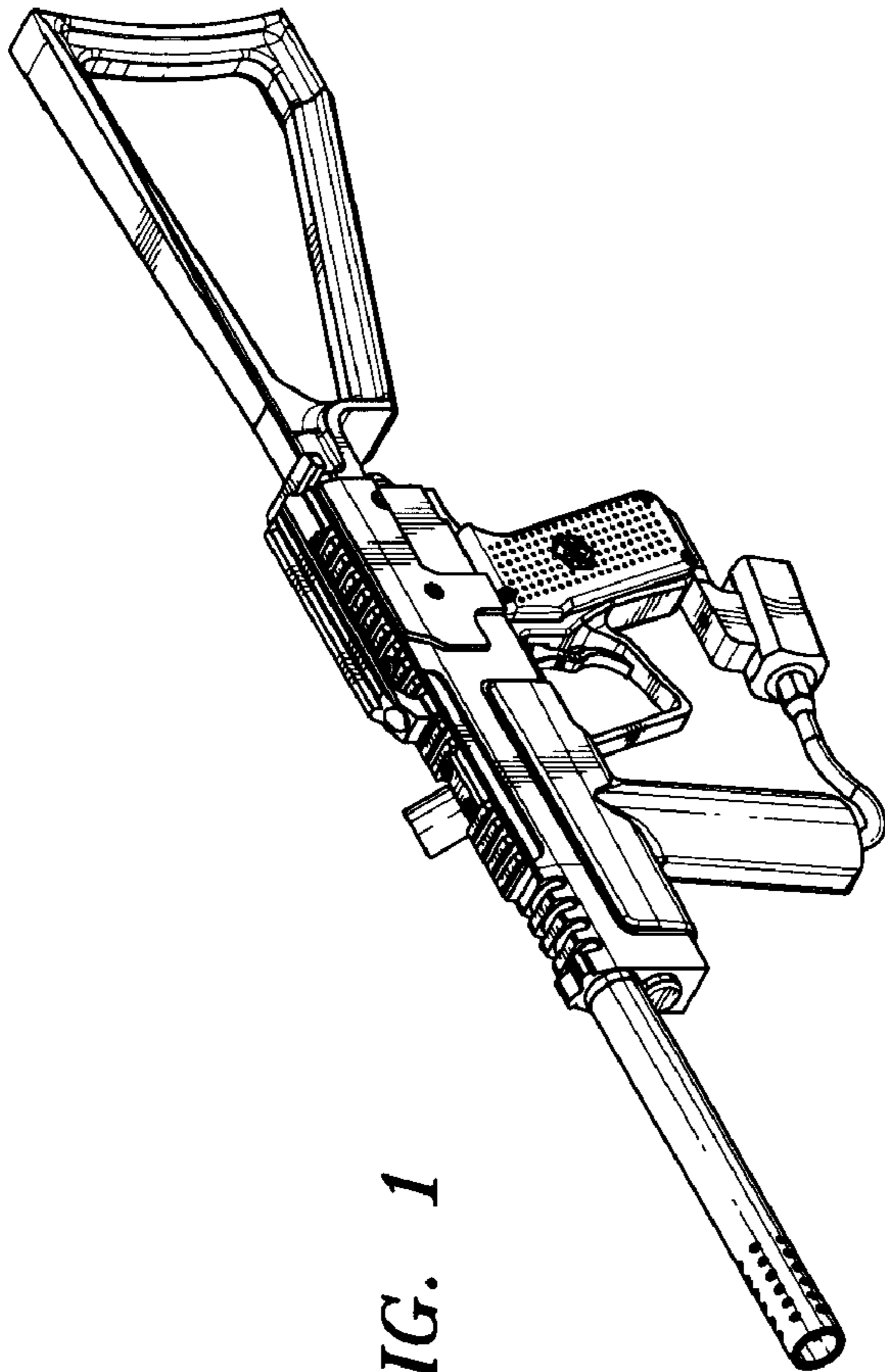


FIG. 1

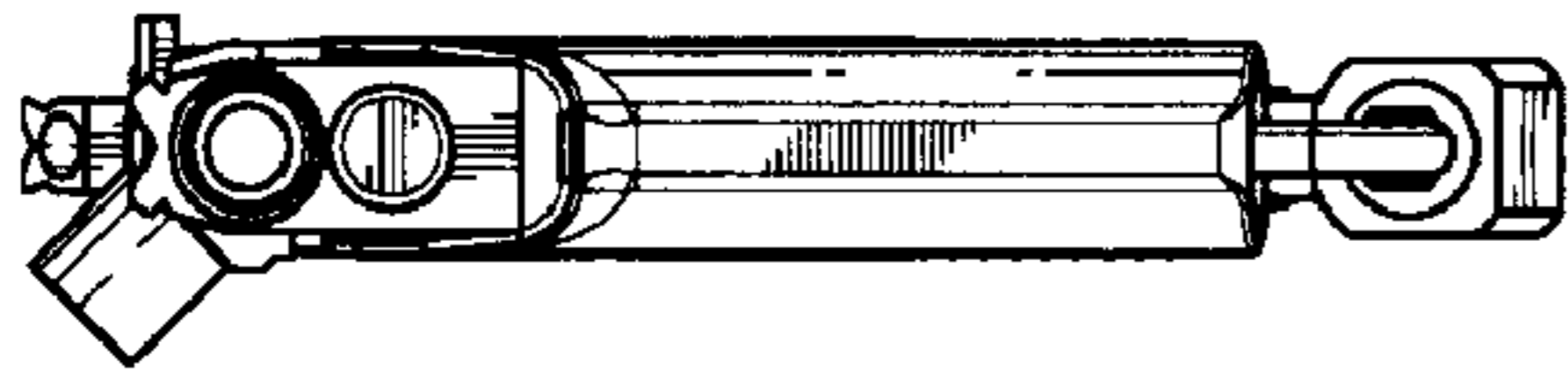


FIG. 3

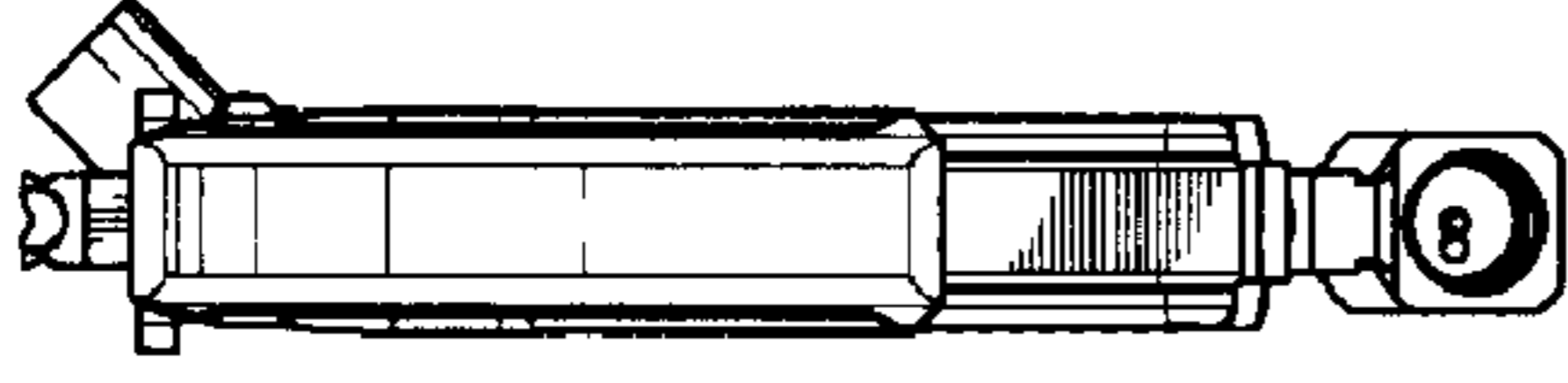


FIG. 4

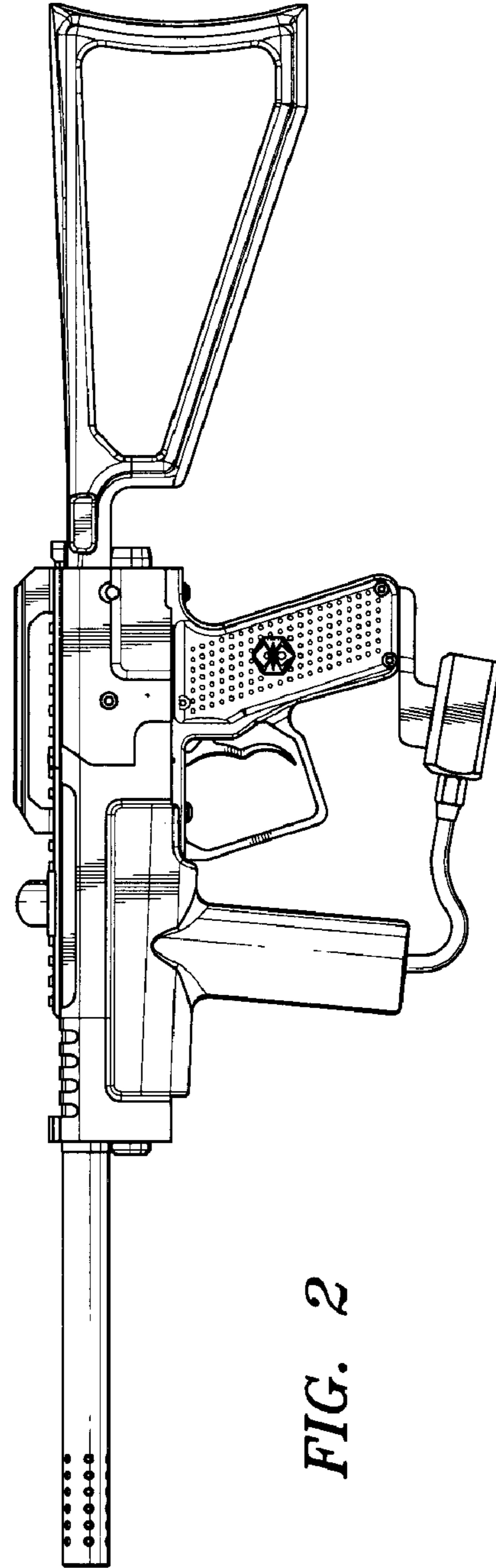


FIG. 2

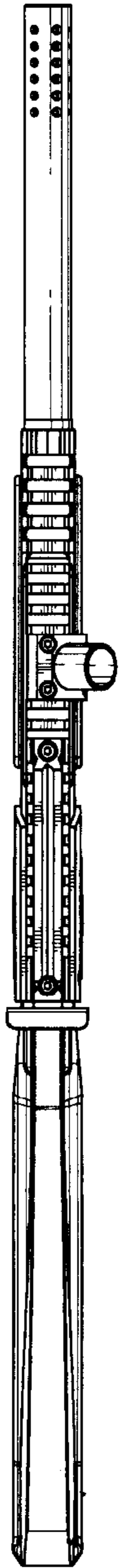


FIG. 5

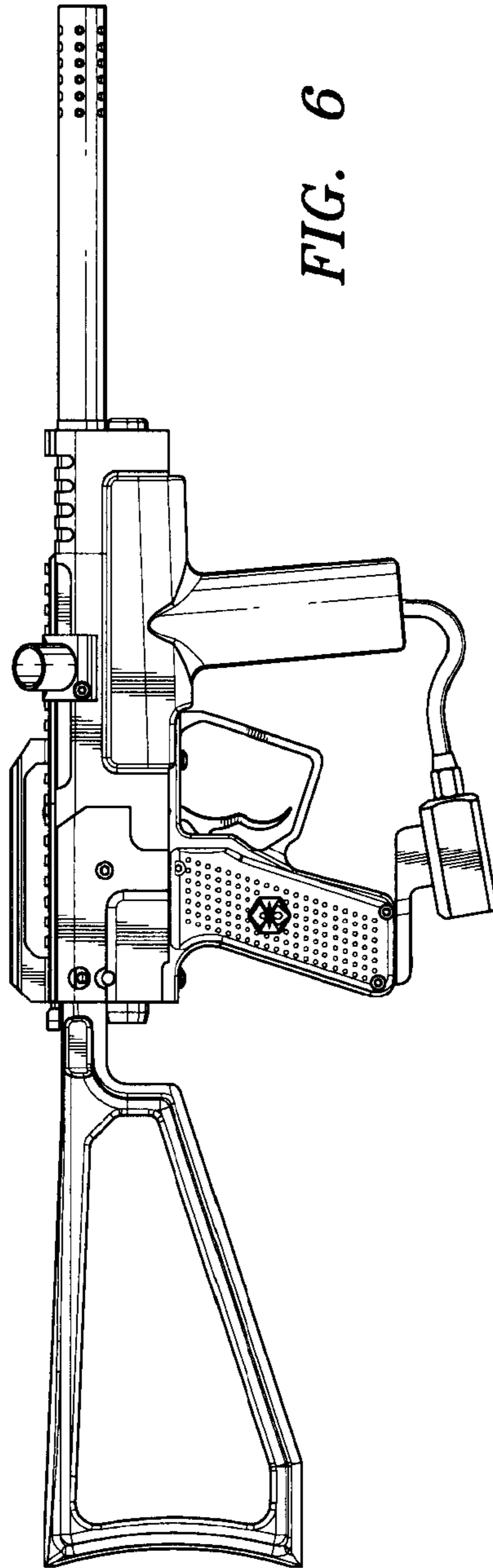


FIG. 6

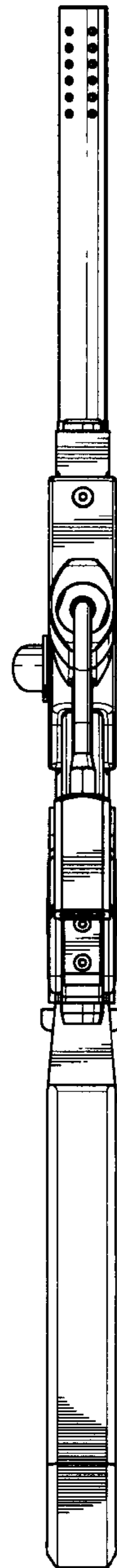


FIG. 7