



US00D557752S

(12) **United States Design Patent**
Martino et al.

(10) **Patent No.:** **US D557,752 S**

(45) **Date of Patent:** **** Dec. 18, 2007**

(54) **REMOTE CONTROL TRANSMITTER UNIT**

(75) Inventors: **Anthony M. Martino**, Thousand Oaks, CA (US); **Paulo Kang**, Burbank, CA (US)

(73) Assignee: **Mattel, Inc.**, El Segundo, CA (US)

(**) Term: **14 Years**

(21) Appl. No.: **29/275,728**

(22) Filed: **Jan. 4, 2007**

(51) **LOC (8) Cl.** **21-01**

(52) **U.S. Cl.** **D21/566**

(58) **Field of Classification Search** D21/566,
D21/331, 324, 333; D14/217, 218, 400,
D14/401; D13/168; 463/6, 7, 37-39, 46,
463/47; 446/454-456

See application file for complete search history.

(56) **References Cited**

U.S. PATENT DOCUMENTS

D160,765 S * 11/1950 Bonanno D21/566
D297,028 S * 8/1988 McCann D21/566
D375,326 S * 11/1996 Yokoi et al. D14/401

D409,692 S * 5/1999 DeAngelis et al. D21/566
D422,996 S * 4/2000 Alviar et al. D14/401
D506,231 S * 6/2005 Gollither D21/566
D519,118 S * 4/2006 Woodward D14/401

* cited by examiner

Primary Examiner—Holly H. Baynham

Assistant Examiner—Cynthia M. Chin

(74) *Attorney, Agent, or Firm*—Akin Gump Strauss Hauer & Feld LLP

(57) **CLAIM**

The ornamental design for a remote control transmitter unit as shown and described.

DESCRIPTION

FIG. 1 is a top plan view of a remote control transmitter unit in accordance with my new design

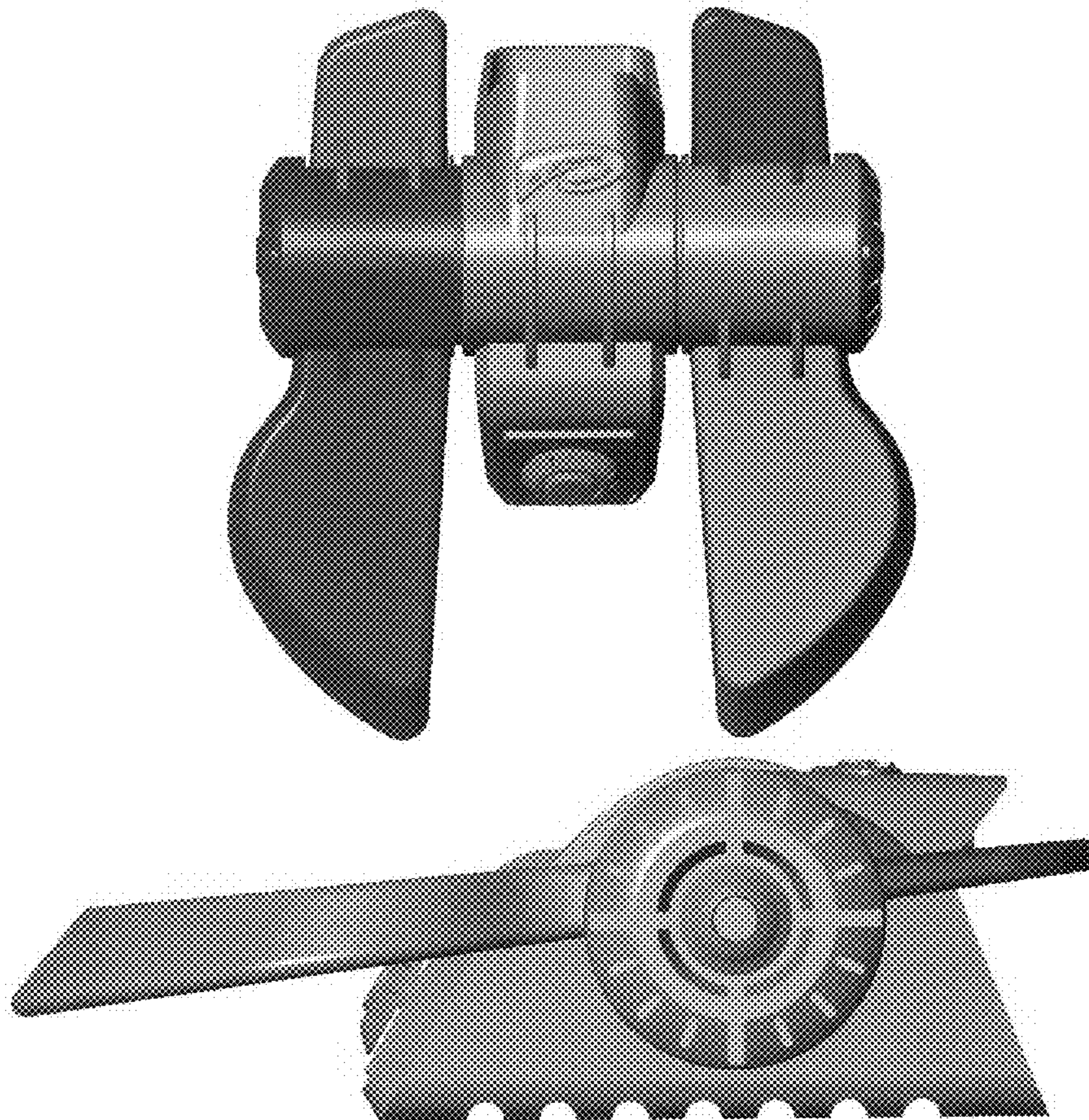
FIG. 2 is a right side elevation view thereof, the left side being a mirror image;

FIG. 3 is a bottom plan view thereof;

FIG. 4 is a rear elevation view thereof; and,

FIG. 5 is a front elevation view thereof.

1 Claim, 3 Drawing Sheets



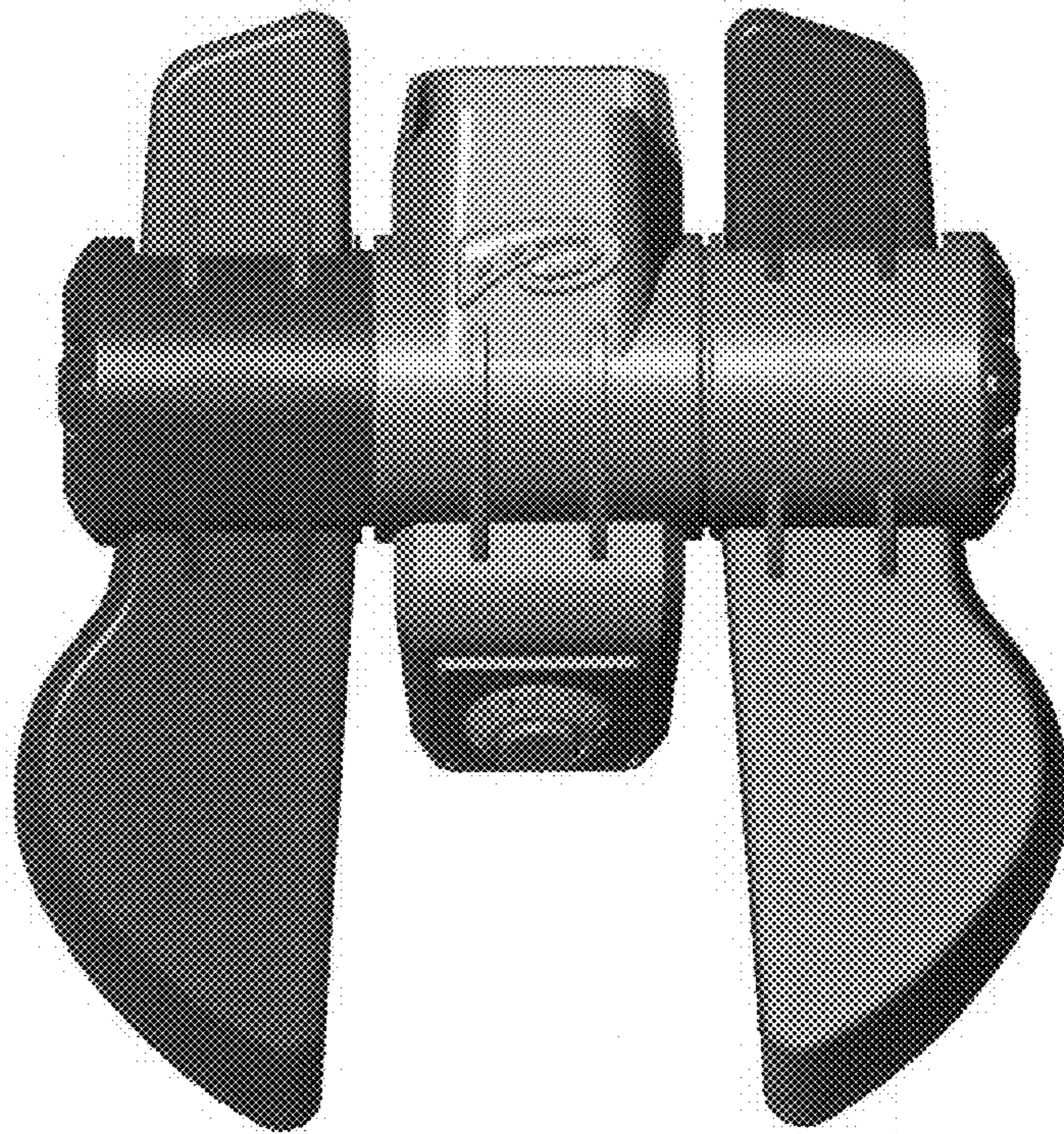


Fig. 1

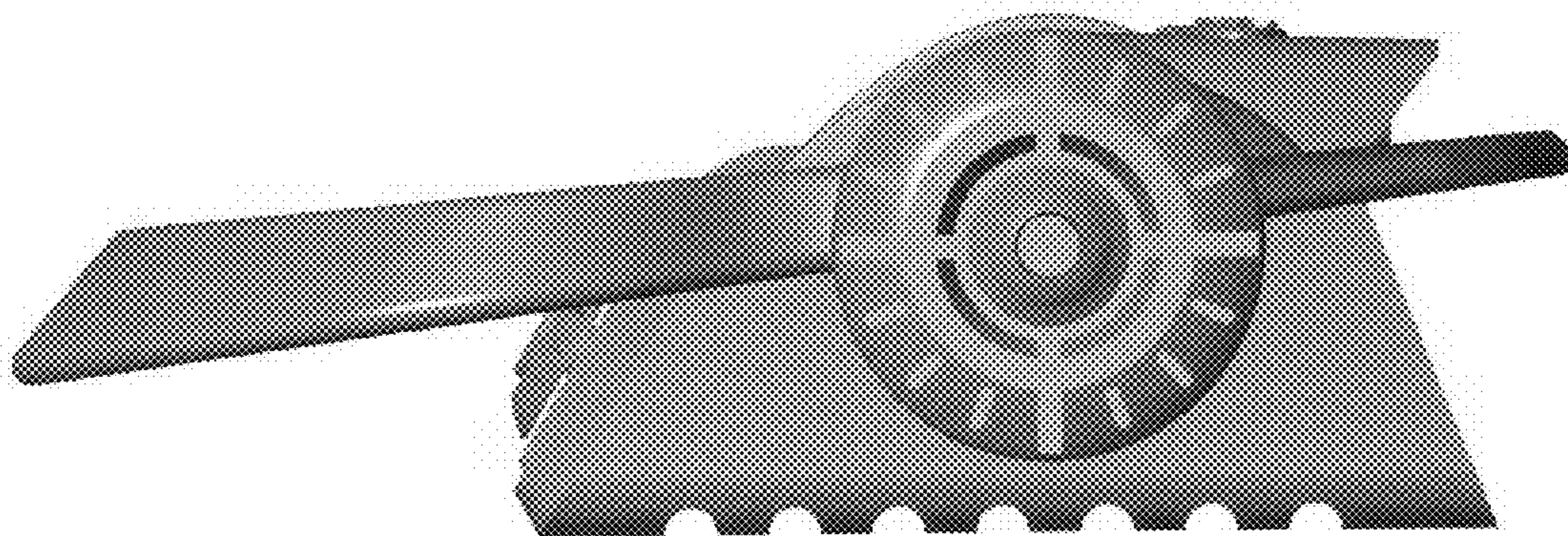


Fig. 2

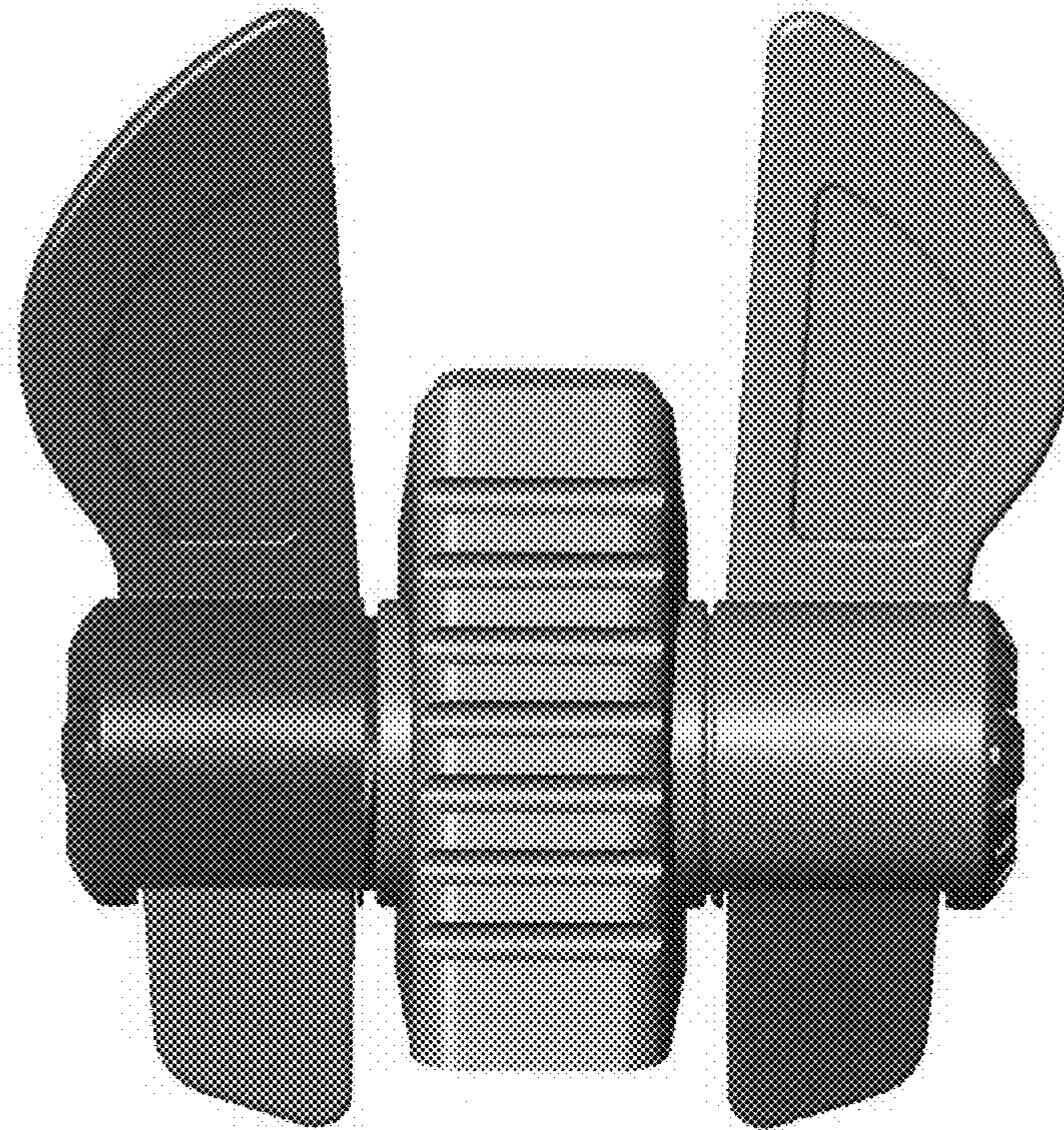


Fig. 3

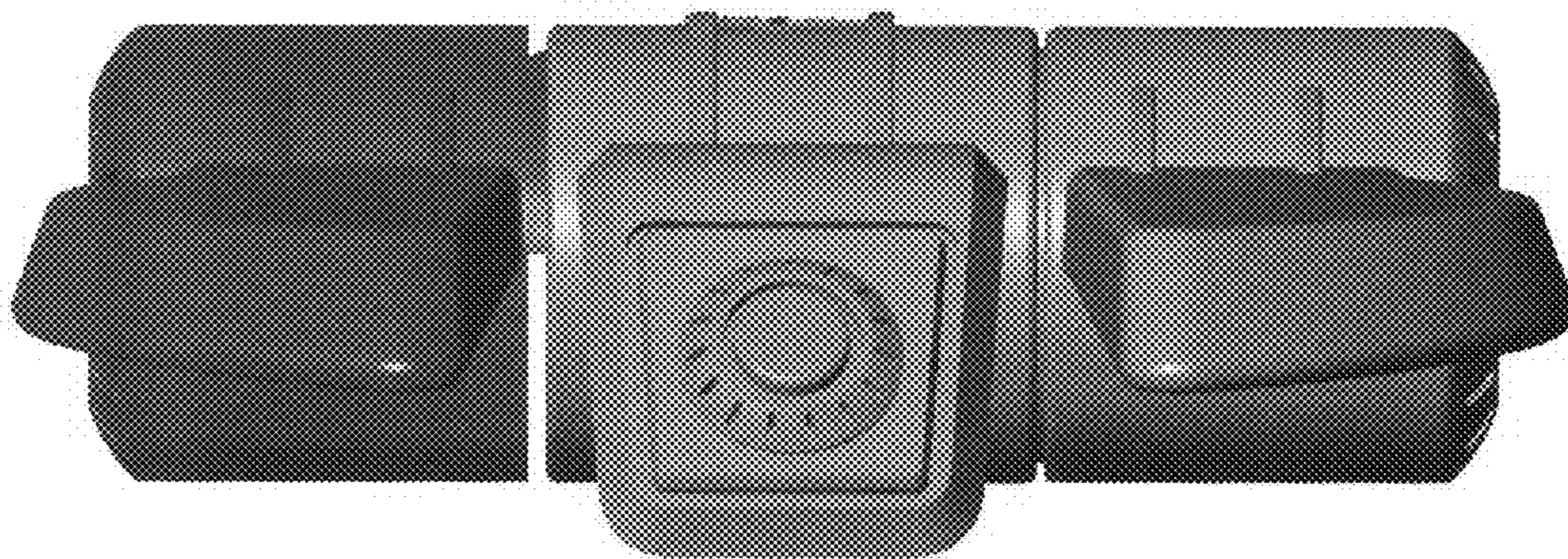


Fig. 4

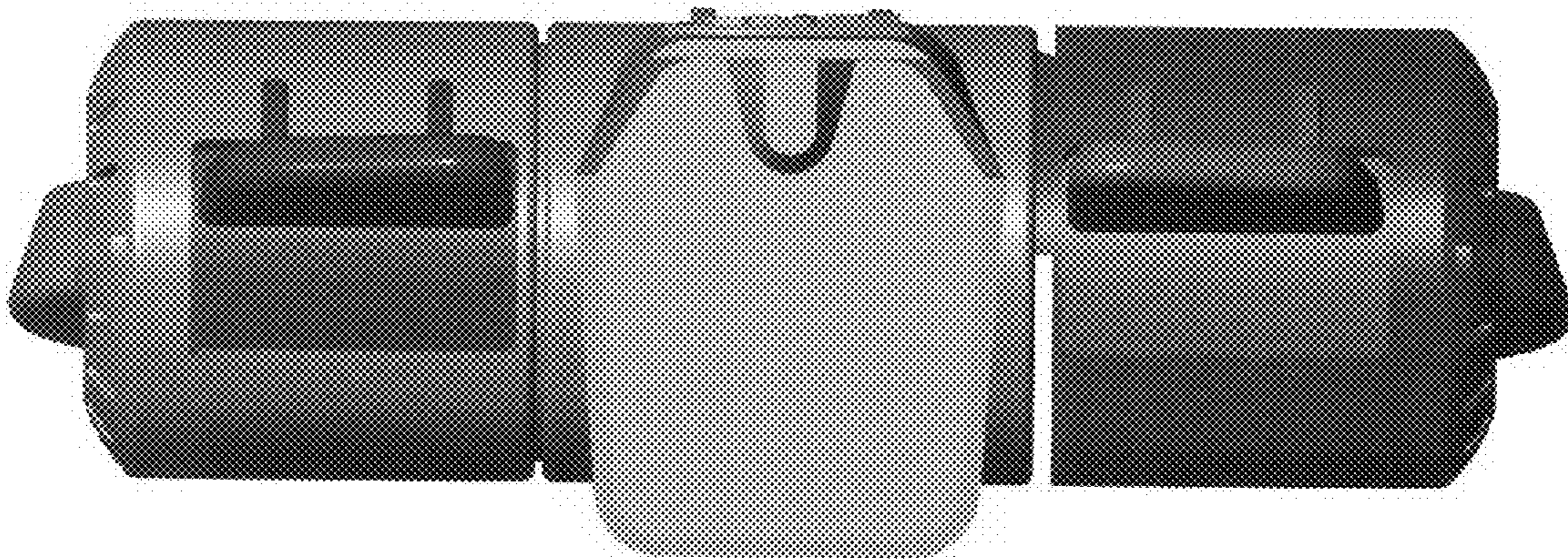


Fig. 5