



US00D557749S

(12) **United States Design Patent**
Sakai

(10) **Patent No.:** **US D557,749 S**

(45) **Date of Patent:** **** Dec. 18, 2007**

(54) **MUSIC GAME CONTROL DEVICE**

2005/0156897 A1* 7/2005 Suzuki 345/169

(75) Inventor: **Masato Sakai**, Marina Del Rey, CA
(US)

* cited by examiner

(73) Assignee: **Konami Digital Entertainment Co., Ltd.**, Tokyo (JP)

Primary Examiner—Stella M. Reid

Assistant Examiner—Keli' L. Acker

(74) *Attorney, Agent, or Firm*—Townsend and Townsend and Crew LLP

(**) Term: **14 Years**

(57) **CLAIM**

(21) Appl. No.: **29/230,104**

The ornamental design for a music game control device, as shown and described.

(22) Filed: **May 16, 2005**

(51) **LOC (8) Cl.** **21-01**

DESCRIPTION

(52) **U.S. Cl.** **D21/333; D14/400**

FIG. 1 is a perspective view of a music game control device, showing my new design;

(58) **Field of Classification Search** D14/356,

FIG. 2 is a top plan view thereof;

D14/388, 399, 400, 432, 454–457, 412–416;

FIG. 3 is a front elevational view thereof;

D21/324, 333; 463/1, 30, 36–38, 46–47;

FIG. 4 is a right side elevational view thereof;

273/148 B, 148 R; 345/156–161, 905

FIG. 5 is a rear elevational view thereof;

See application file for complete search history.

FIG. 6 is a bottom plan thereof; and,

(56) **References Cited**

FIG. 7 is a left side elevational view thereof.

U.S. PATENT DOCUMENTS

The broken line showing of the music game control device is included for the purpose of illustrating environmental structure and forms no part of the claimed design.

5,150,899 A * 9/1992 Kitaue 463/2

D346,152 S * 4/1994 Zaugg D14/218

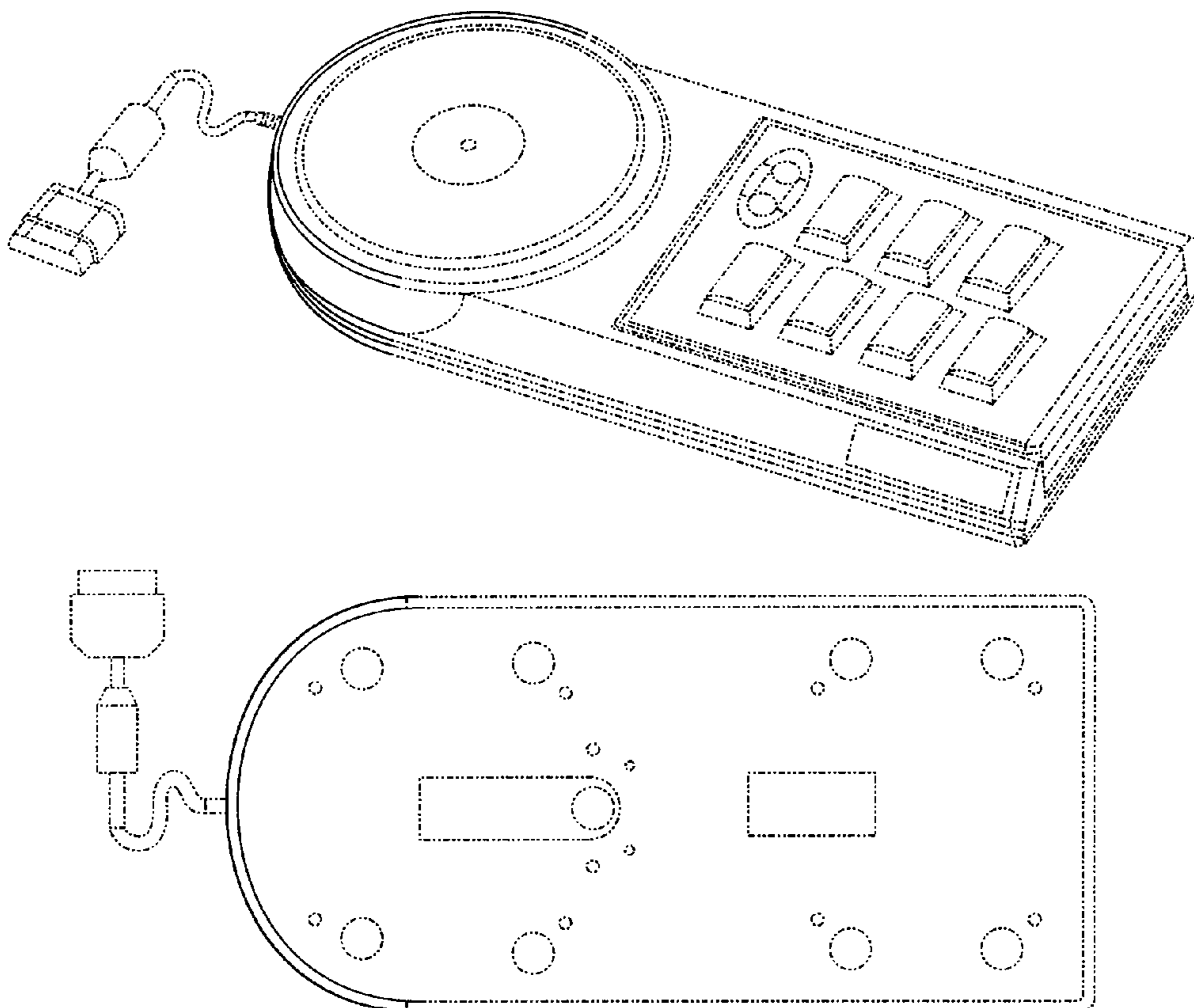
D416,909 S * 11/1999 Renk D14/218

D430,617 S * 9/2000 Shimoido D21/324

D529,467 S * 10/2006 Rose et al. D14/138

2005/0001821 A1* 1/2005 Low 345/169

1 Claim, 3 Drawing Sheets



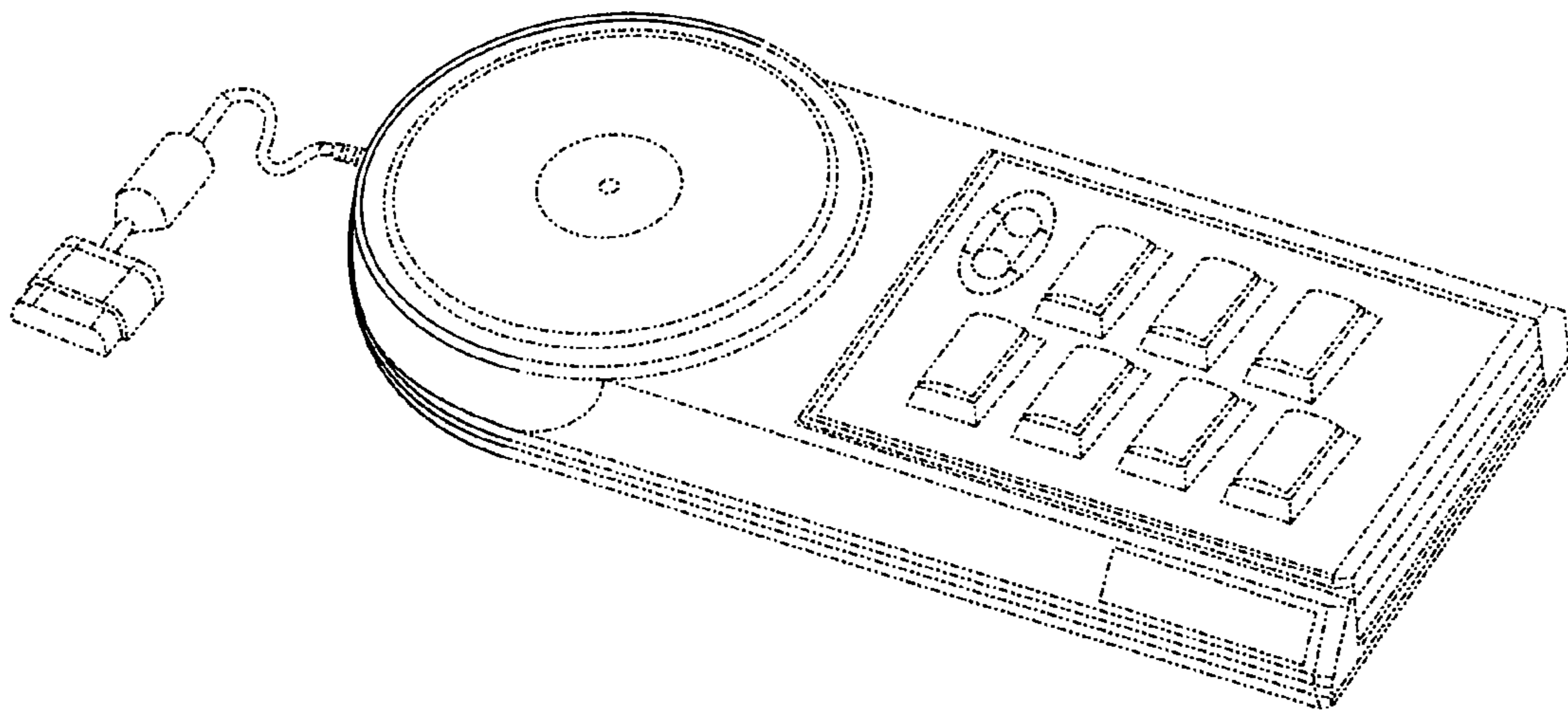


FIG. 1

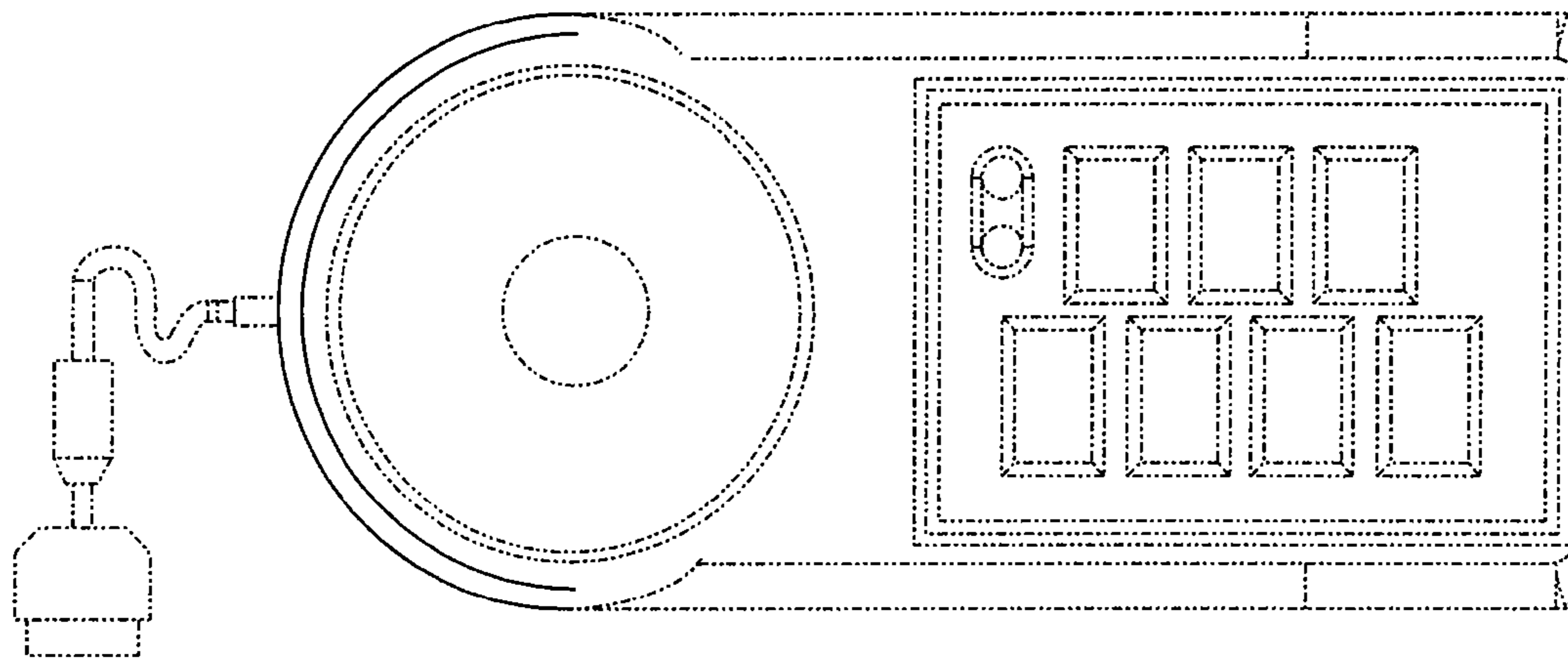


FIG. 2

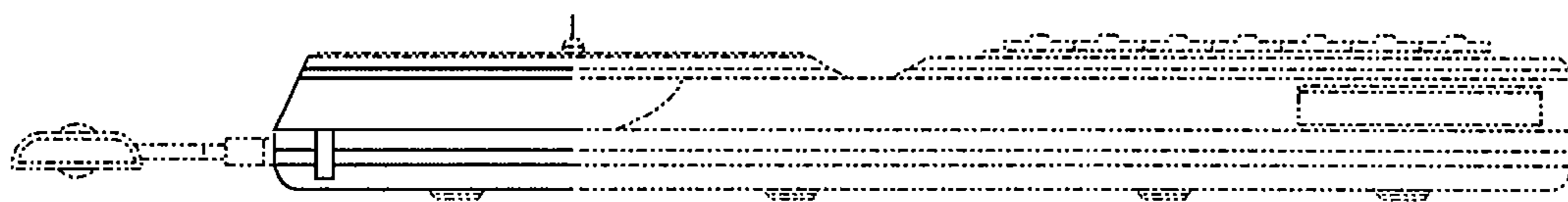


FIG. 3

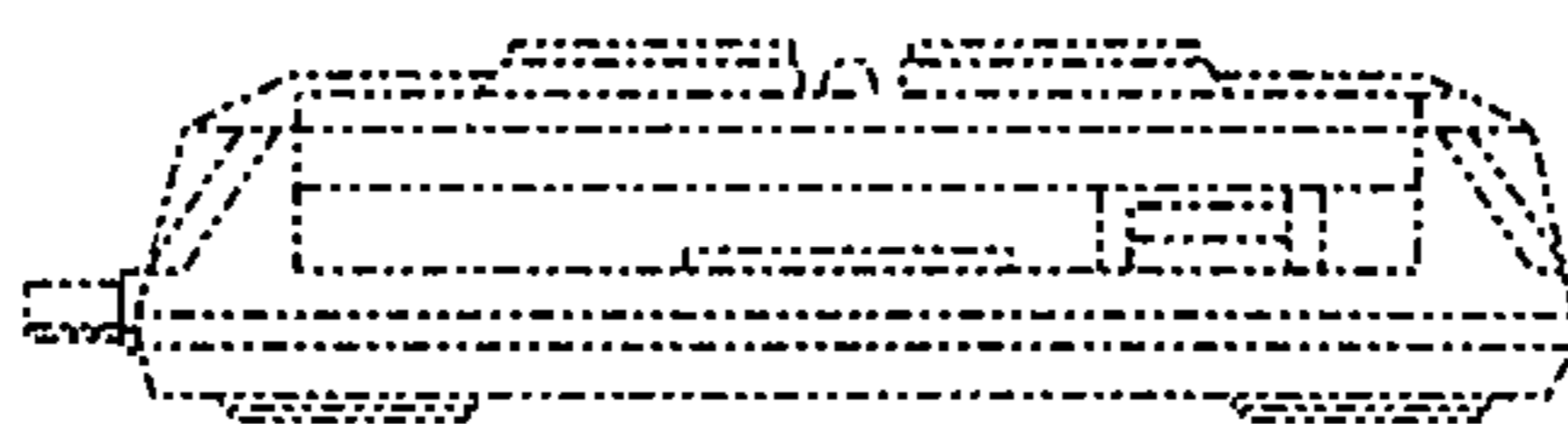


FIG. 4

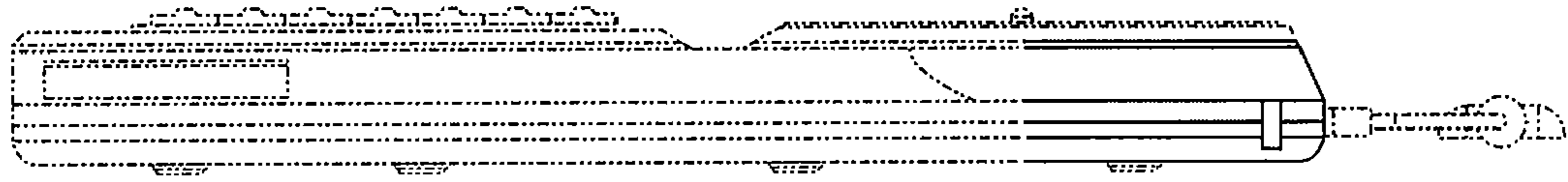


FIG. 5

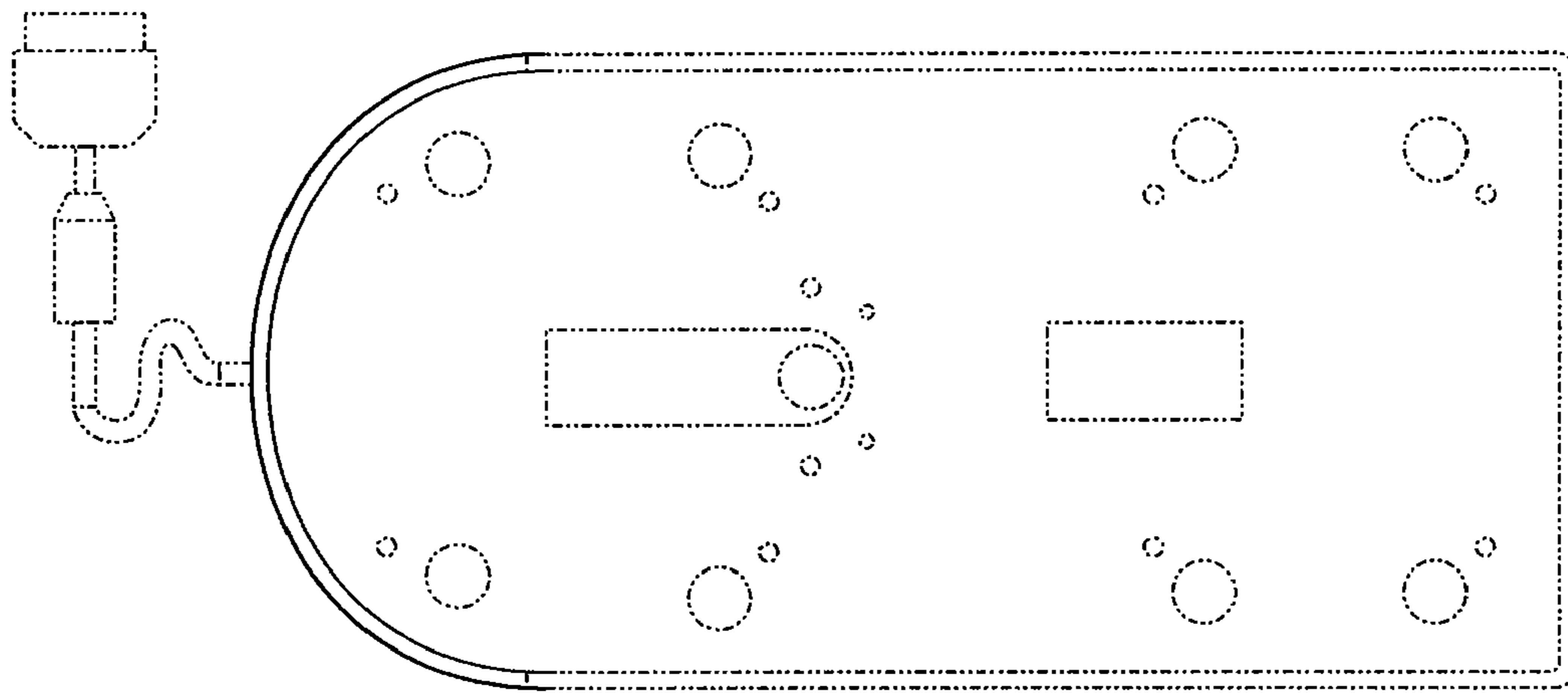


FIG. 6

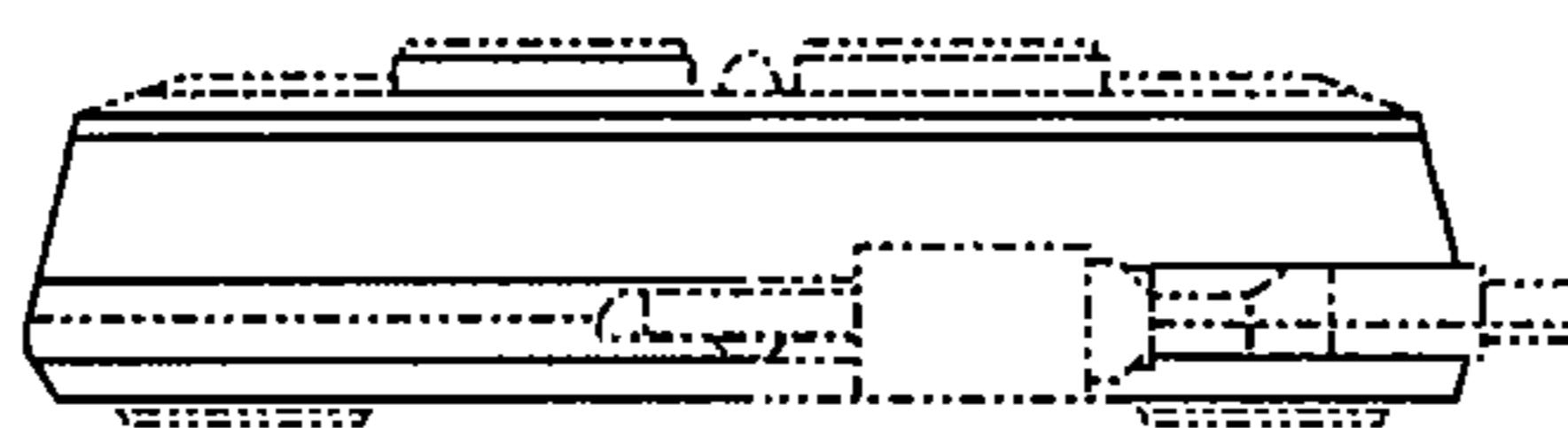


FIG. 7