



US00D557747S

(12) **United States Design Patent**
Nagano

(10) **Patent No.:** **US D557,747 S**

(45) **Date of Patent:** **** Dec. 18, 2007**

(54) **CONTROLLER**

(75) Inventor: **Toshiyuki Nagano**, Osaka (JP)

(73) Assignee: **Cateye Co., Ltd.**, Osaka (JP)

(**) Term: **14 Years**

(21) Appl. No.: **29/273,789**

(22) Filed: **Mar. 13, 2007**

(30) **Foreign Application Priority Data**

Sep. 25, 2006 (JP) 2006-025576

(51) **LOC (8) Cl.** **21-01**

(52) **U.S. Cl.** **D21/329; D21/324**

(58) **Field of Classification Search** D21/324,
D21/328, 329, 330, 331, 333; 273/148 B;
463/1, 2, 29-35, 46, 47; 345/156, 905; D14/401,
D14/402

See application file for complete search history.

(56) **References Cited**

U.S. PATENT DOCUMENTS

4,438,926 A * 3/1984 Yokoi et al. 463/29
5,672,108 A * 9/1997 Lam et al. 463/39
D407,760 S * 4/1999 Yokoi D21/329
6,042,478 A * 3/2000 Ng 463/44

6,120,379 A * 9/2000 Tanaka et al. 463/44
6,227,966 B1 * 5/2001 Yokoi 463/1
D446,822 S * 8/2001 Kenji D21/329
D460,787 S * 7/2002 Nishikawa D21/329
D469,475 S * 1/2003 Nishide D21/329
D490,477 S * 5/2004 Boilen D21/329
D539,354 S * 3/2007 Mak D21/329

* cited by examiner

Primary Examiner—Prabhakar Deshmukh
(74) *Attorney, Agent, or Firm*—Olson & Hierl, Ltd.

(57) **CLAIM**

The ornamental design for a controller, as shown.

DESCRIPTION

FIG. 1 is a perspective view of a controller showing my new design;

FIG. 2 is a front view thereof;

FIG. 3 is a rear view thereof;

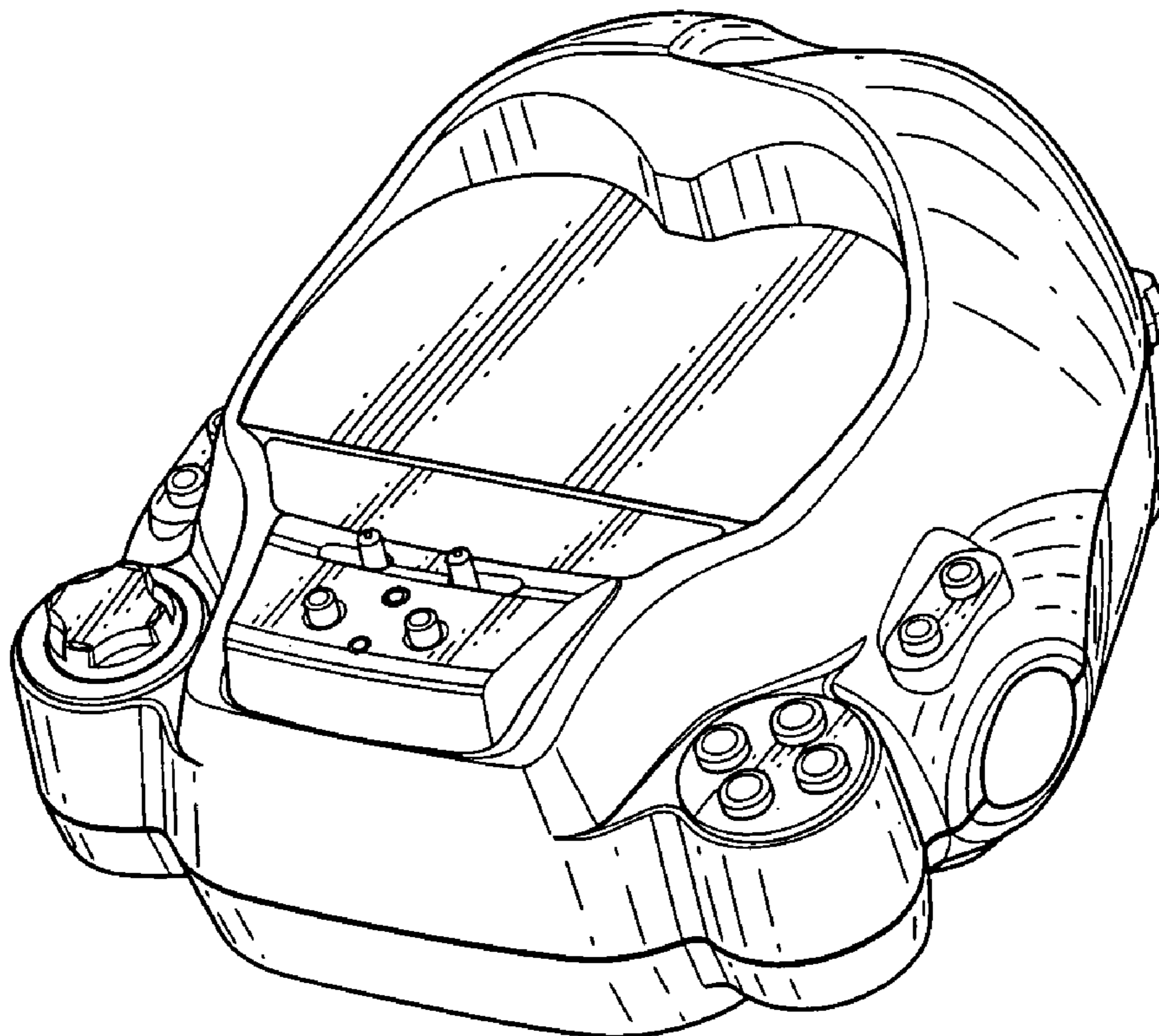
FIG. 4 is a top plan view thereof;

FIG. 5 is a bottom plan view thereof;

FIG. 6 is a right side view thereof; and,

FIG. 7 is a left side view thereof.

1 Claim, 6 Drawing Sheets



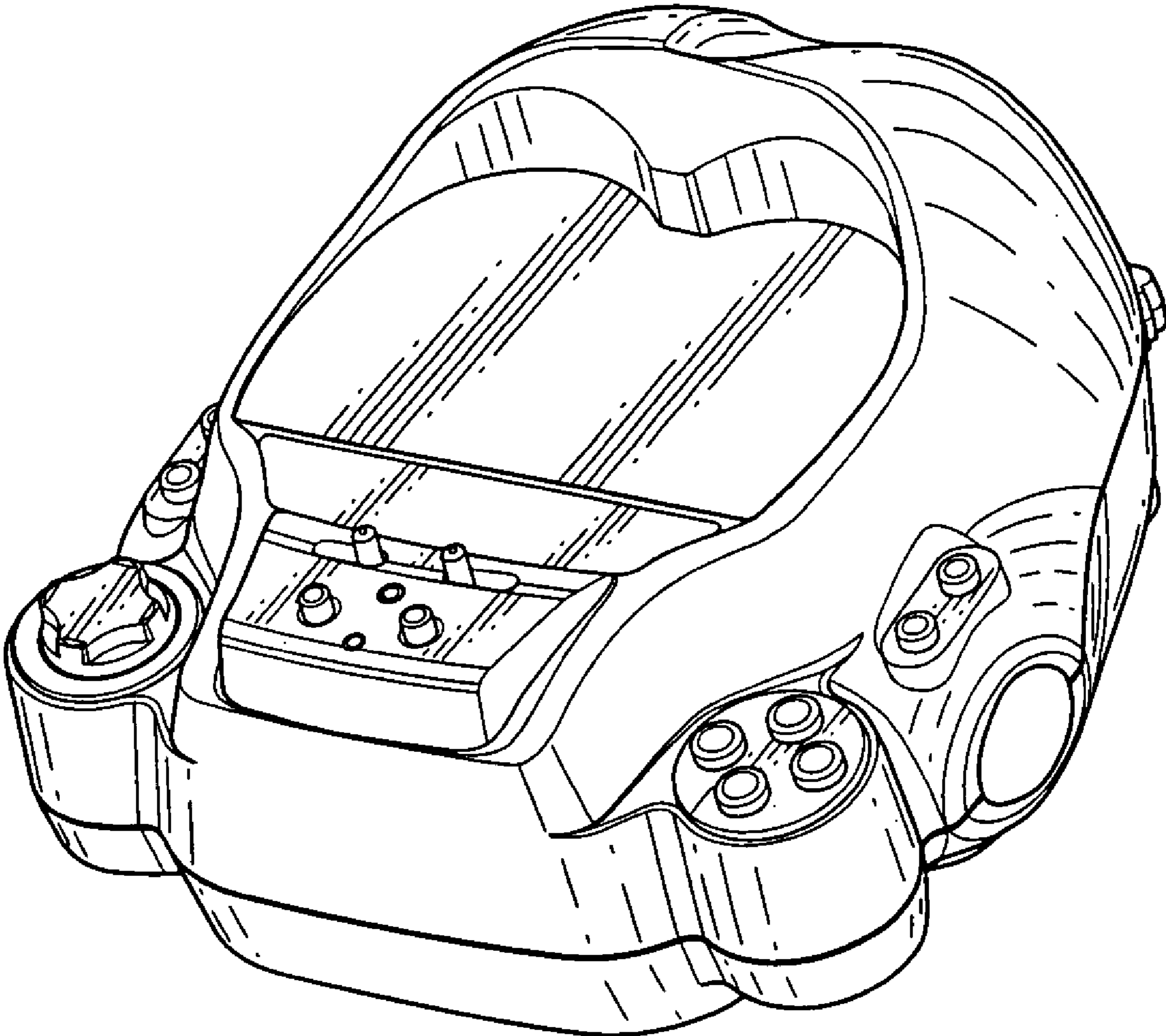


Fig. 1

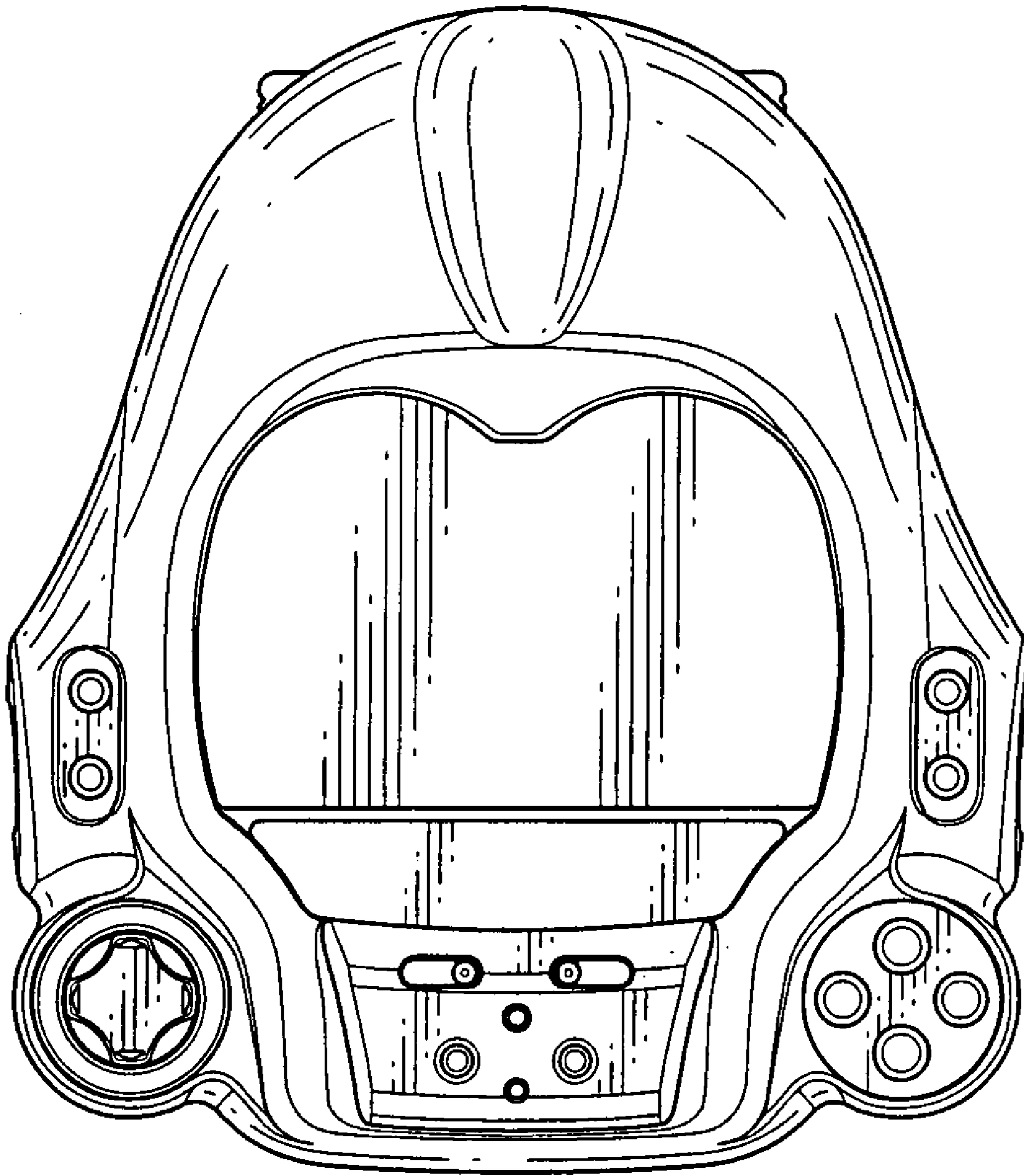


Fig. 2

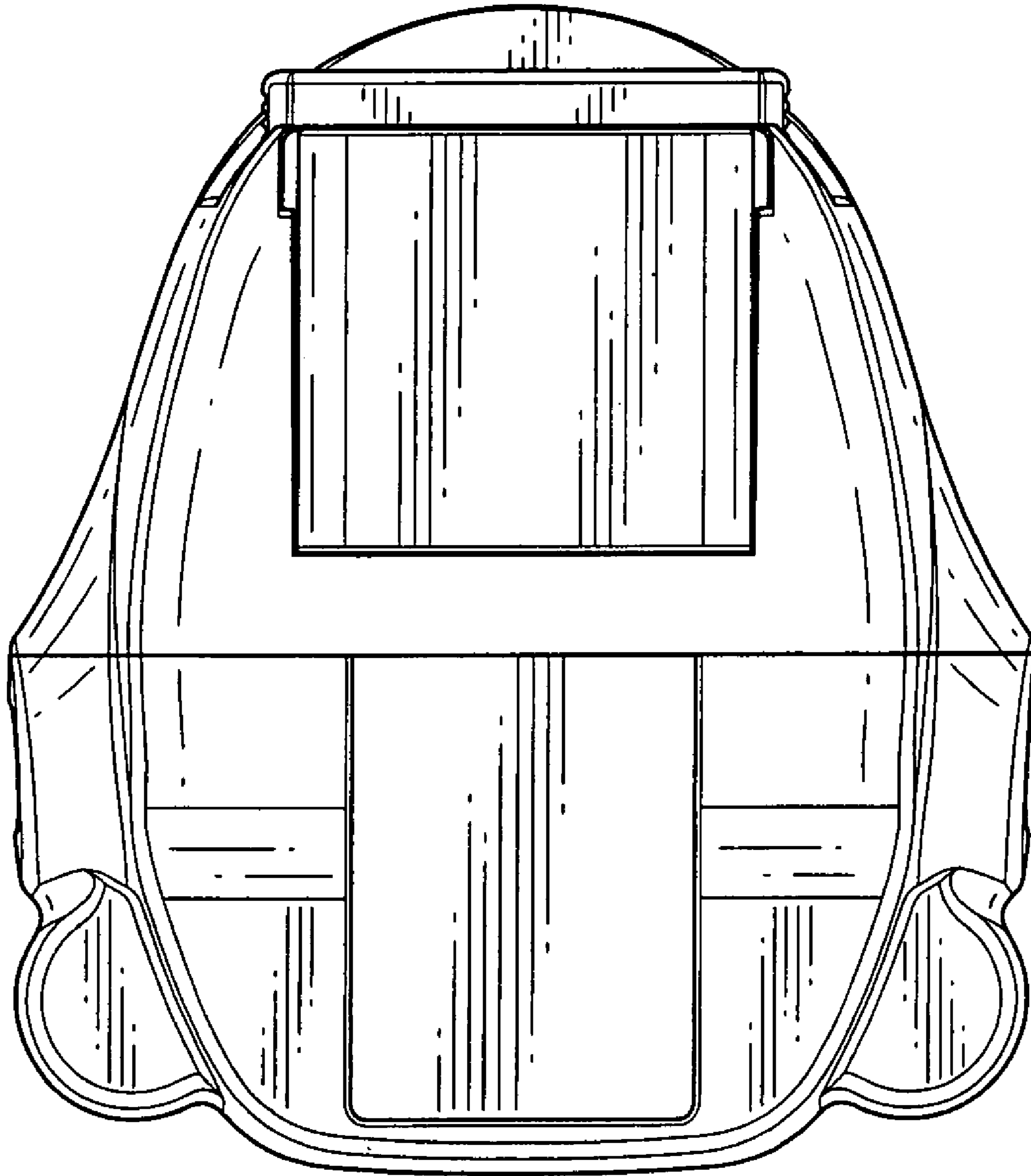


Fig. 3

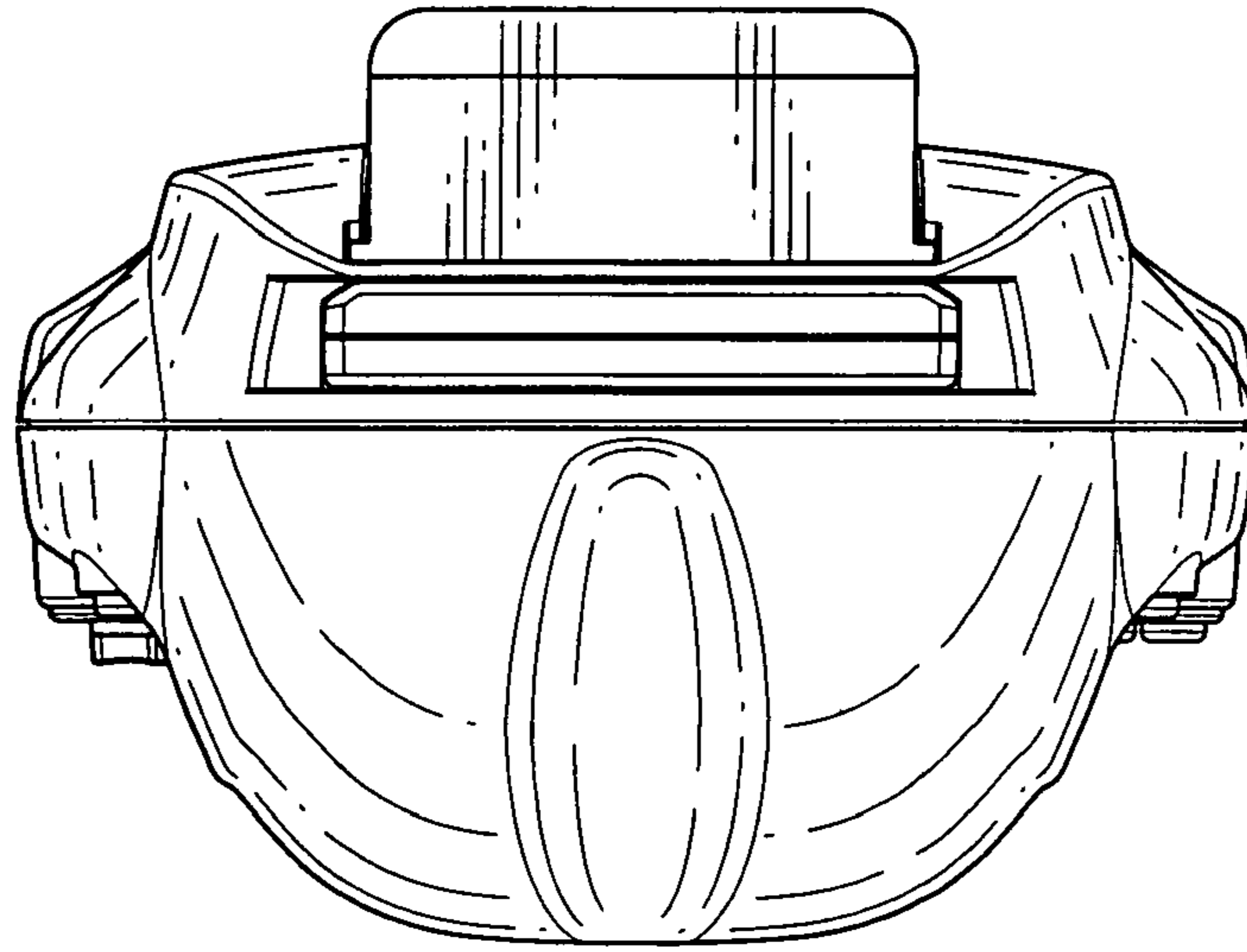


Fig. 4

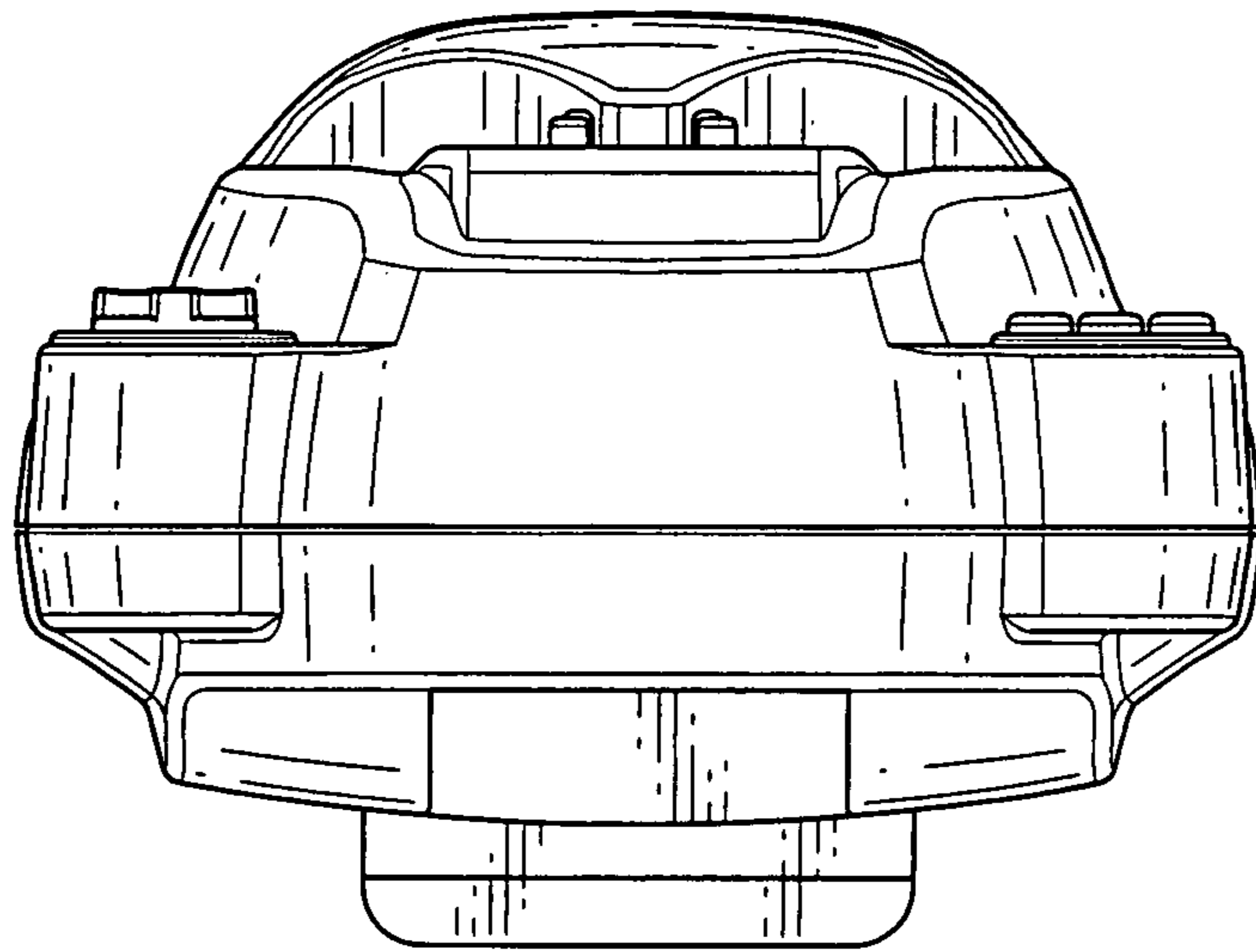


Fig. 5

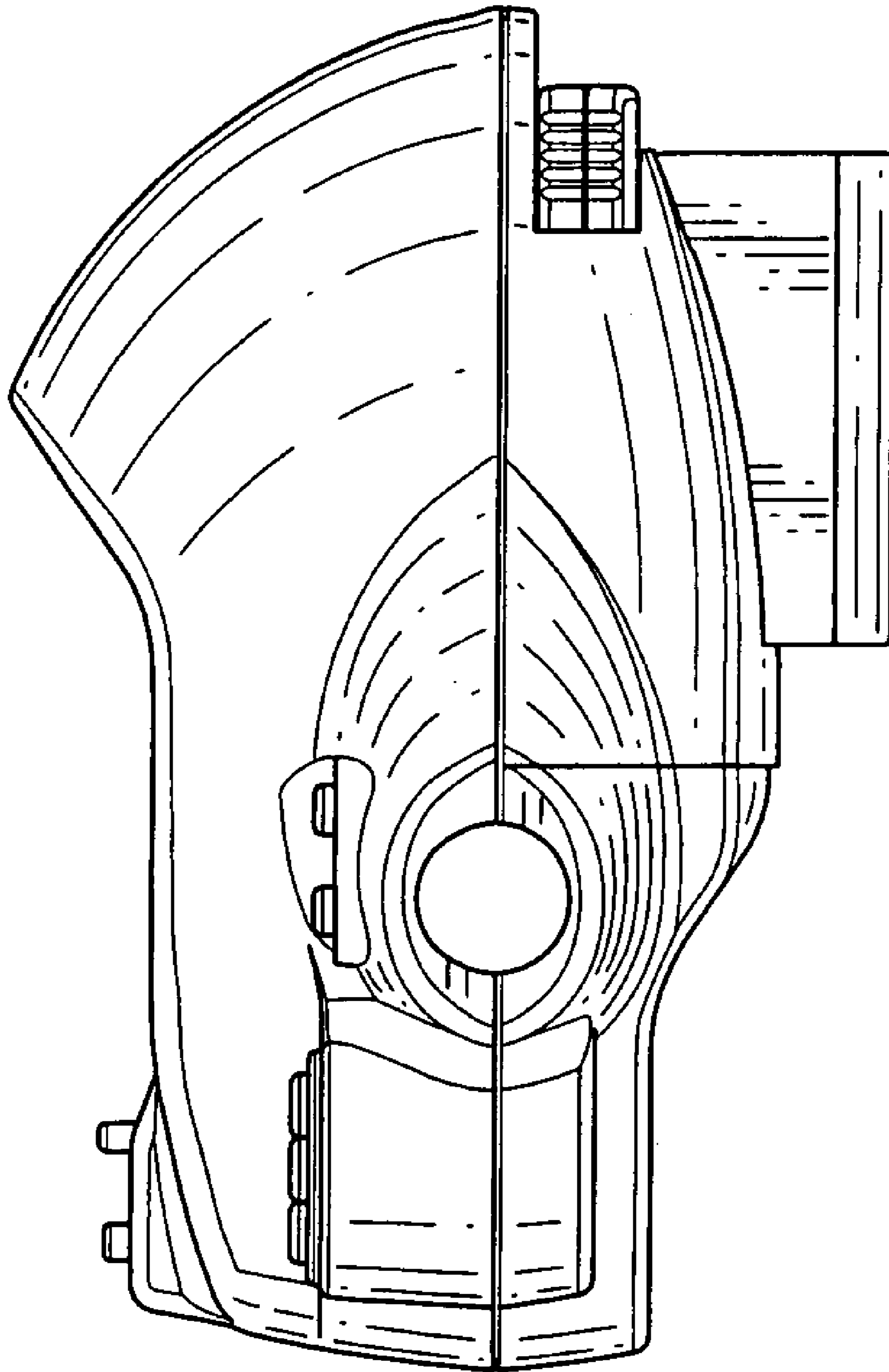


Fig. 6

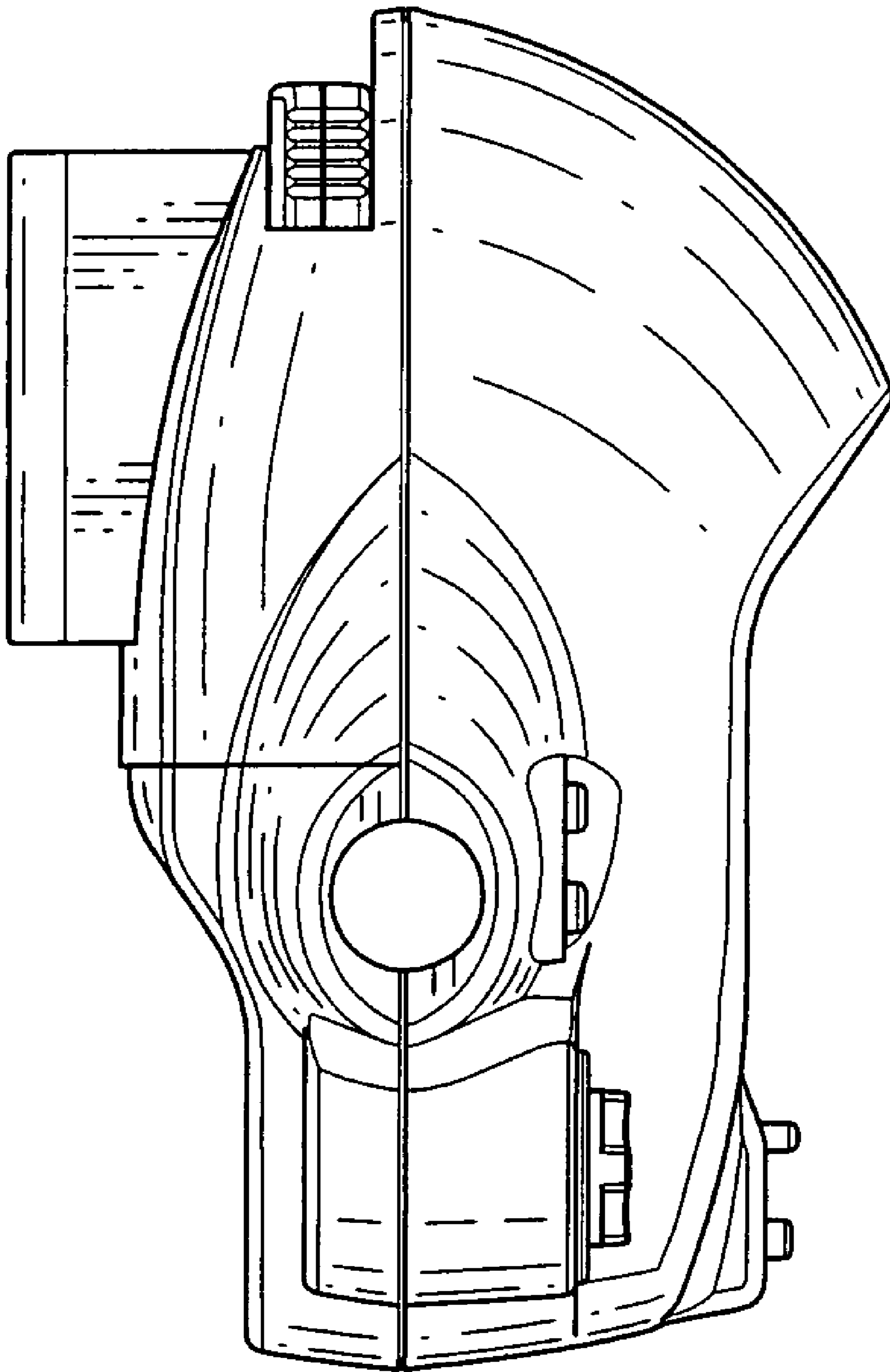


Fig. 7