



US00D557746S

(12) **United States Design Patent**
Hammar

(10) **Patent No.:** **US D557,746 S**

(45) **Date of Patent:** **** Dec. 18, 2007**

(54) **SIGN SUPPORT**

(75) Inventor: **Lars Hammar**, BjursÅs (SE)

(73) Assignee: **AB Hammarprodukter**, Bjursas (SE)

(**) Term: **14 Years**

(21) Appl. No.: **29/261,844**

(22) Filed: **Jun. 21, 2006**

(30) **Foreign Application Priority Data**

Dec. 22, 2005 (EM) 000454350-0001

(51) **LOC (8) Cl.** **20-03**

(52) **U.S. Cl.** **D20/43**

(58) **Field of Classification Search** D20/10,
D20/41-43, 99; 40/607.11-607.13, 611.12,
40/642.02, 647, 647.02, 652, 653, 655, 657,
40/658, 661, 661.03, 661.06, 661.07, 661.11,
40/662, 666, 667; D8/194, 395, 396; 24/3.11,
24/499, 542, 543; D13/142; D32/59

See application file for complete search history.

(56) **References Cited**

U.S. PATENT DOCUMENTS

D104,389 S * 5/1937 Binder D32/59
5,452,500 A * 9/1995 Revis 24/543
D389,733 S * 1/1998 Nakamura D8/396

D416,866 S * 11/1999 Amin D13/149
6,826,811 B2 * 12/2004 Adams 24/499

* cited by examiner

Primary Examiner—Robert M. Spear

Assistant Examiner—Mary Ann Calabrese

(74) *Attorney, Agent, or Firm*—Dilworth & Barrese LLP.

(57) **CLAIM**

The ornamental design for a sign support, as shown and described.

DESCRIPTION

FIG. 1 is a perspective view from a front end of the sign support in closed position showing my new design;

FIG. 2 is a perspective view from a rear end of the sign support of FIG. 1;

FIG. 3 is a front elevational view of the sign support of FIG. 1;

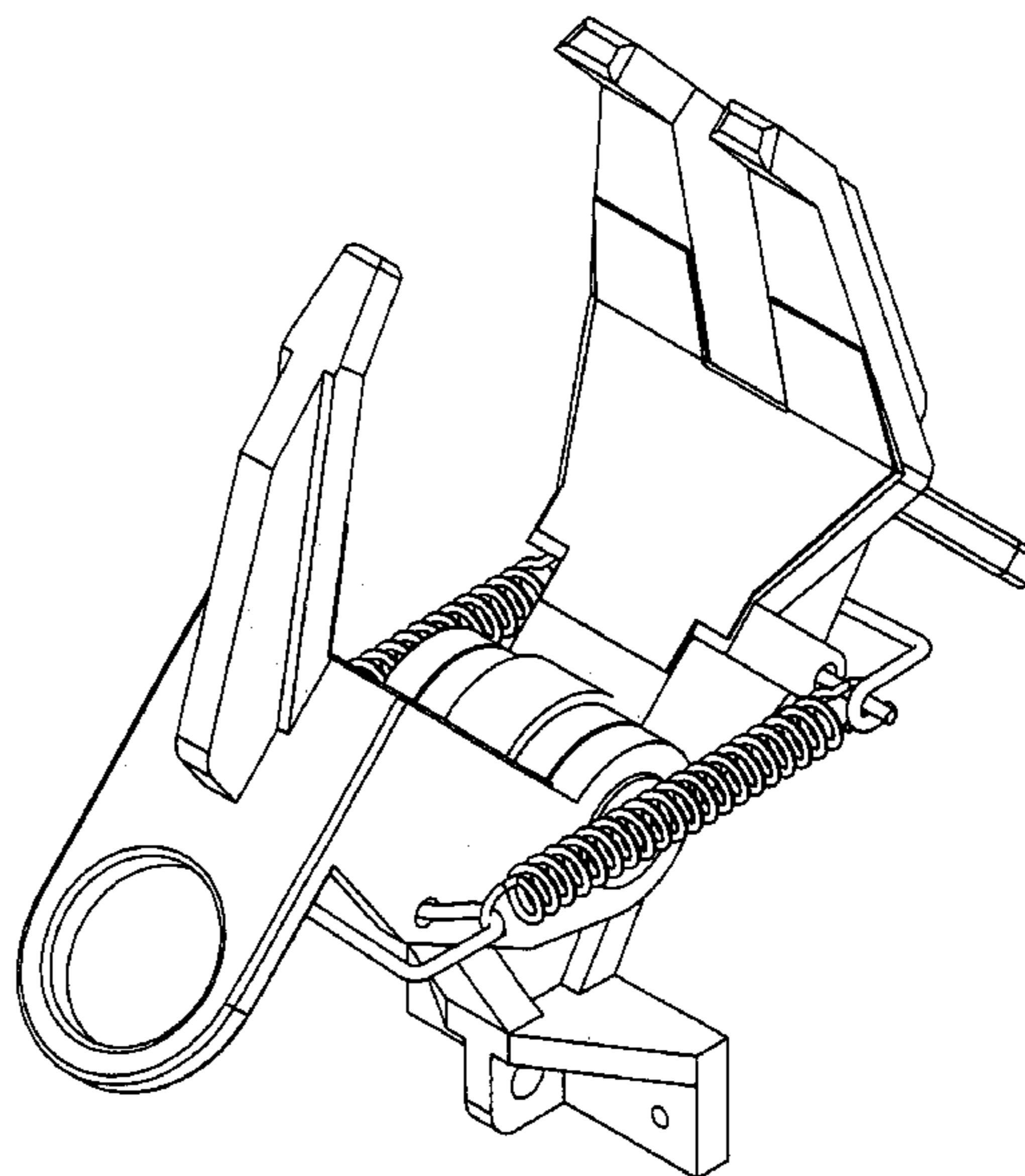
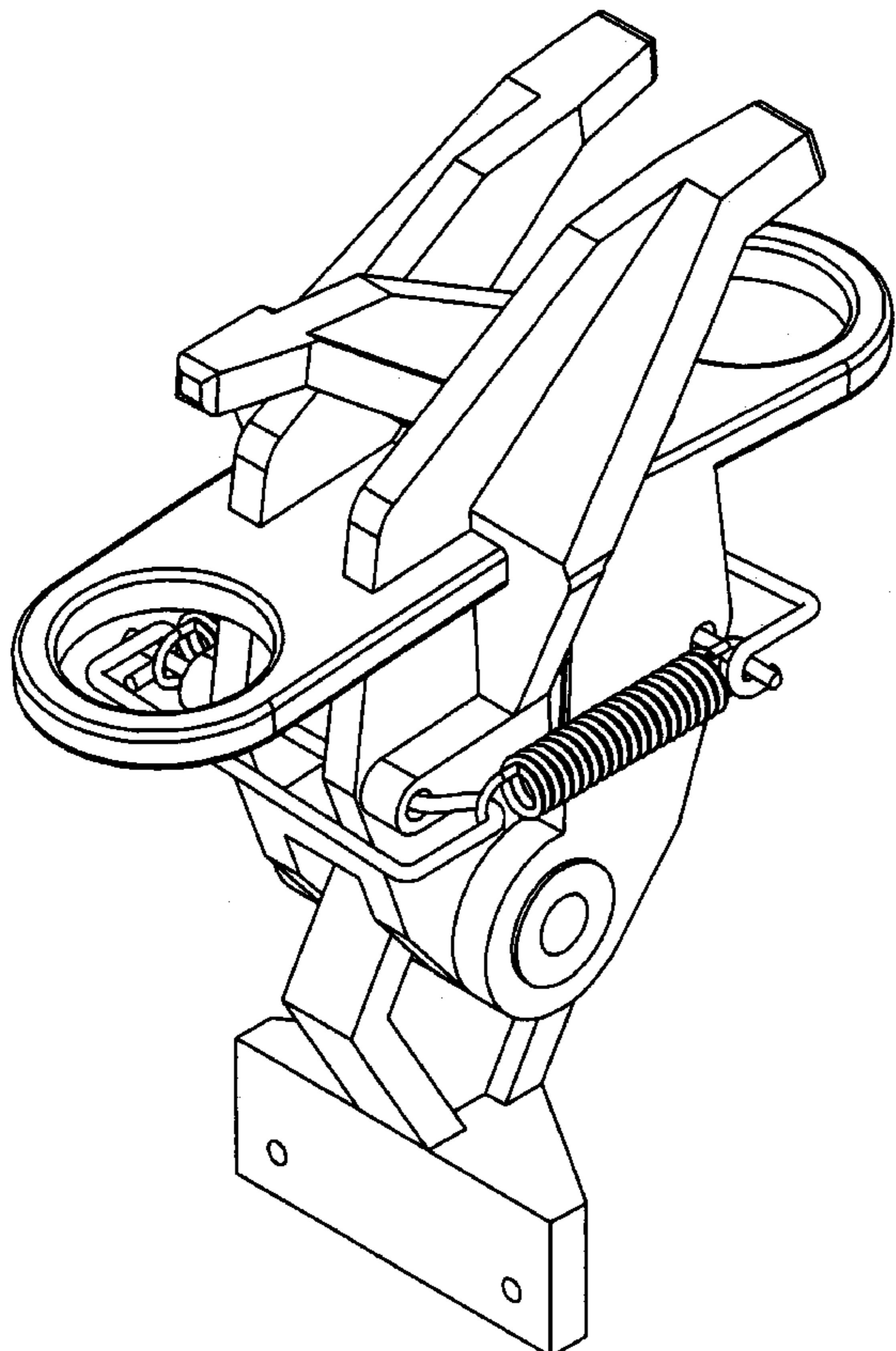
FIG. 4 is a right side elevational view of the sign support of FIG. 1;

FIG. 5 is a rear elevational view of the sign support of FIG. 1;

FIG. 6 is a top plan view of the sign support of FIG. 1; and,

FIG. 7 is a perspective view from the front end of the sign support of FIG. 1 in an alternate open position.

1 Claim, 7 Drawing Sheets



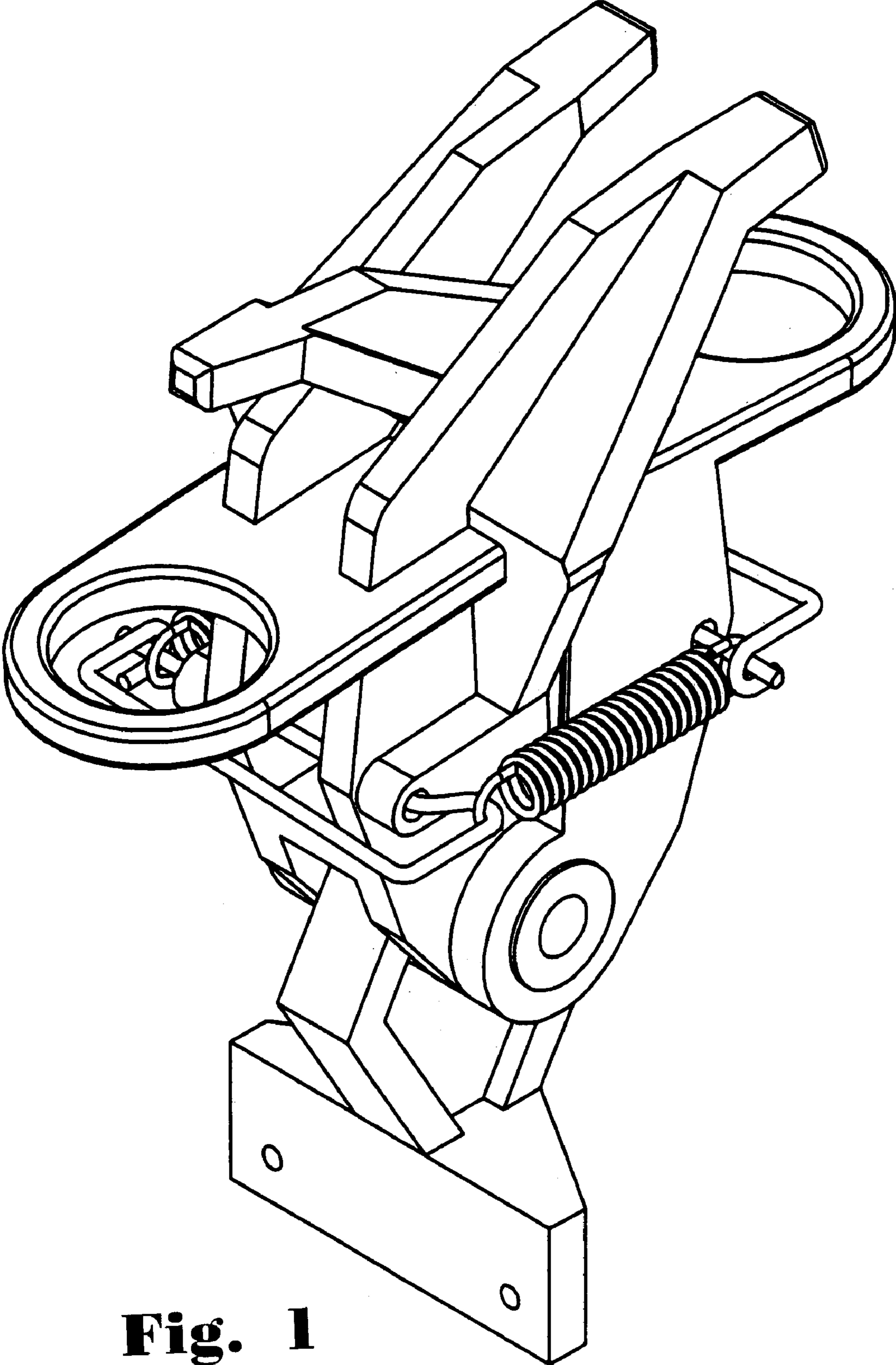


Fig. 1

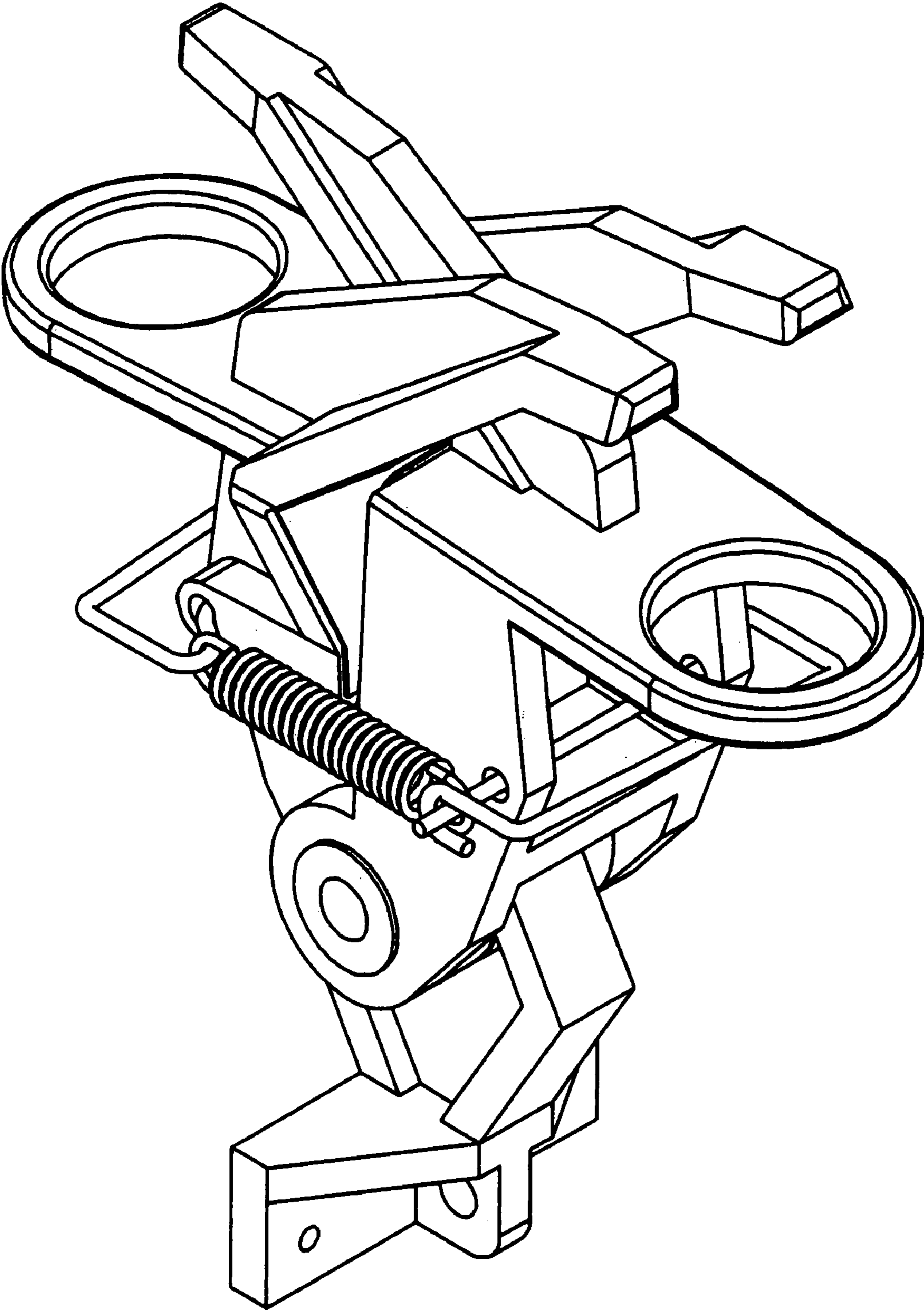


Fig. 2

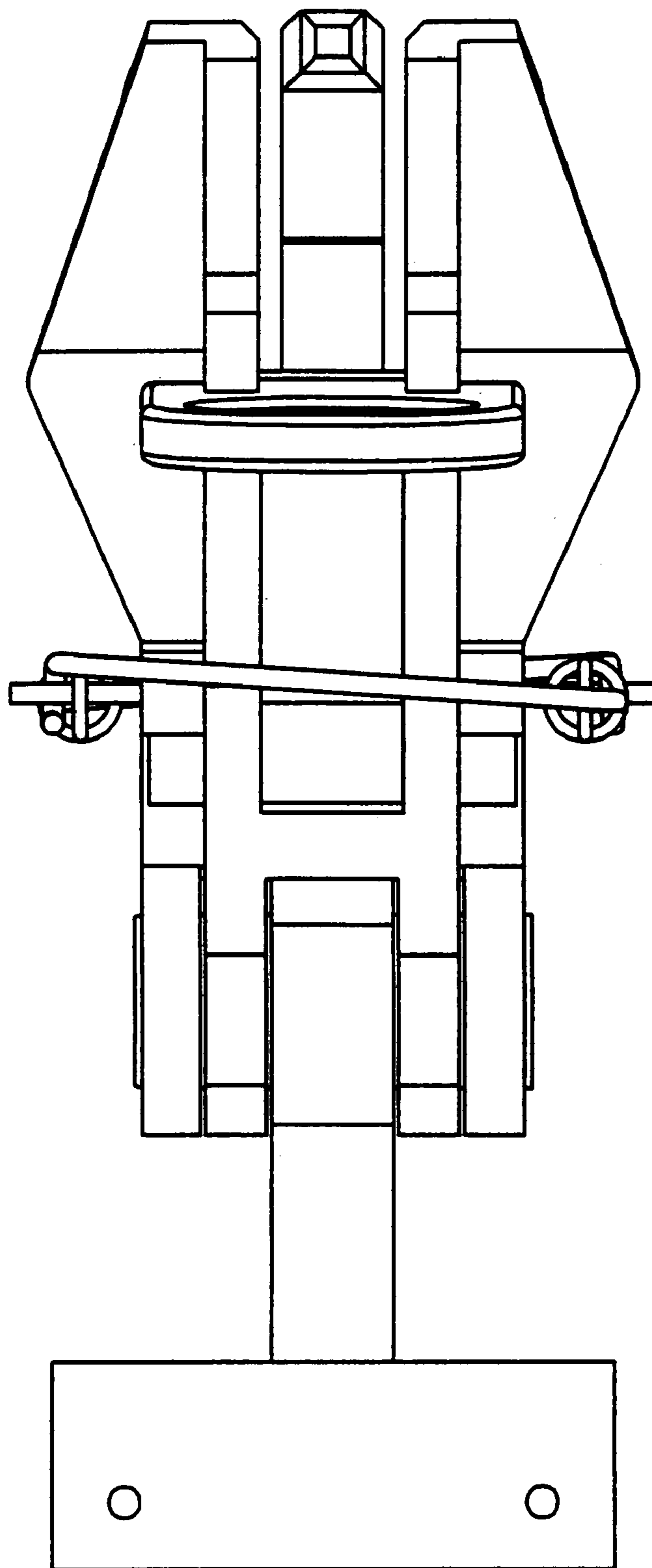


Fig. 3

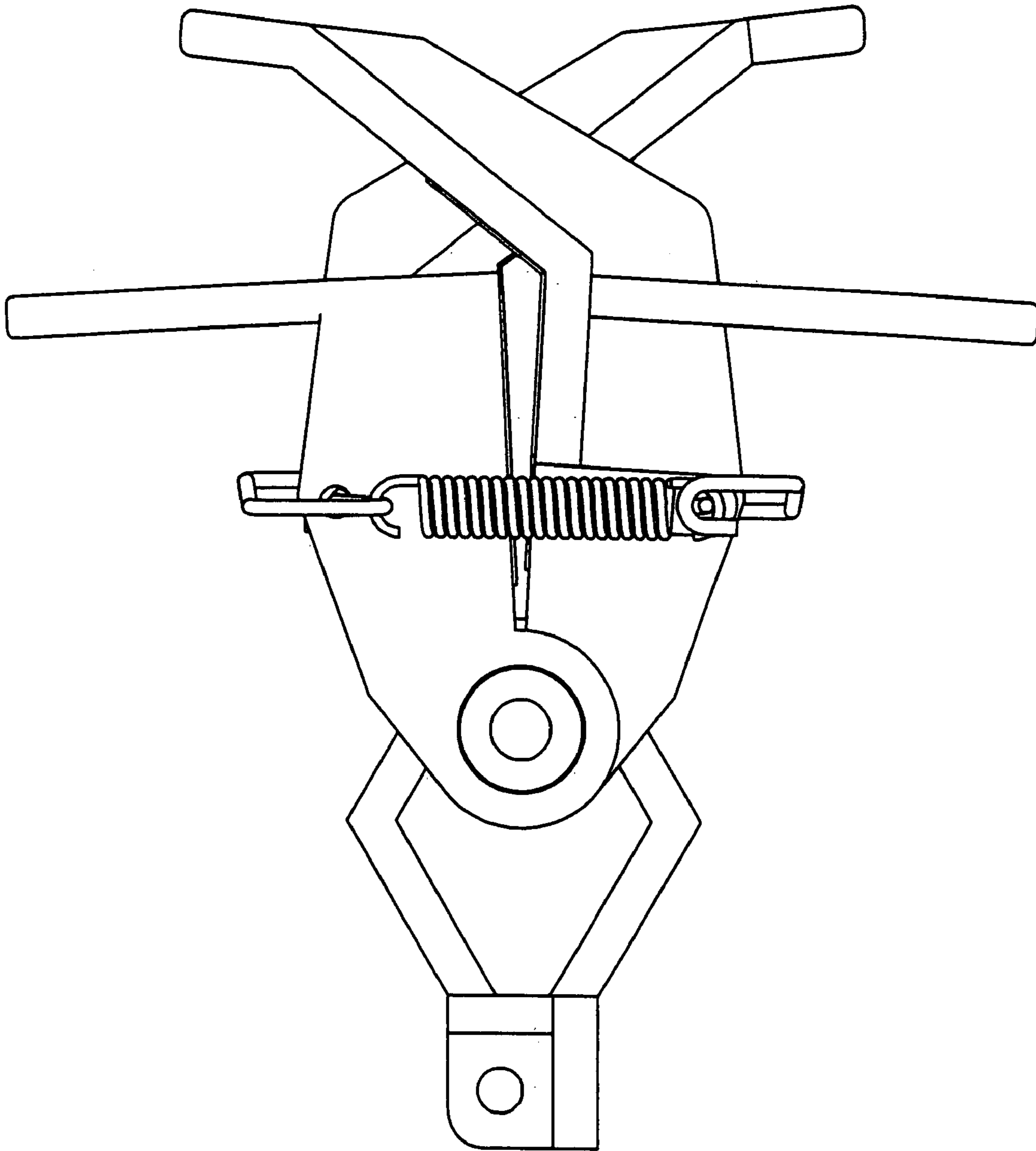


Fig. 4

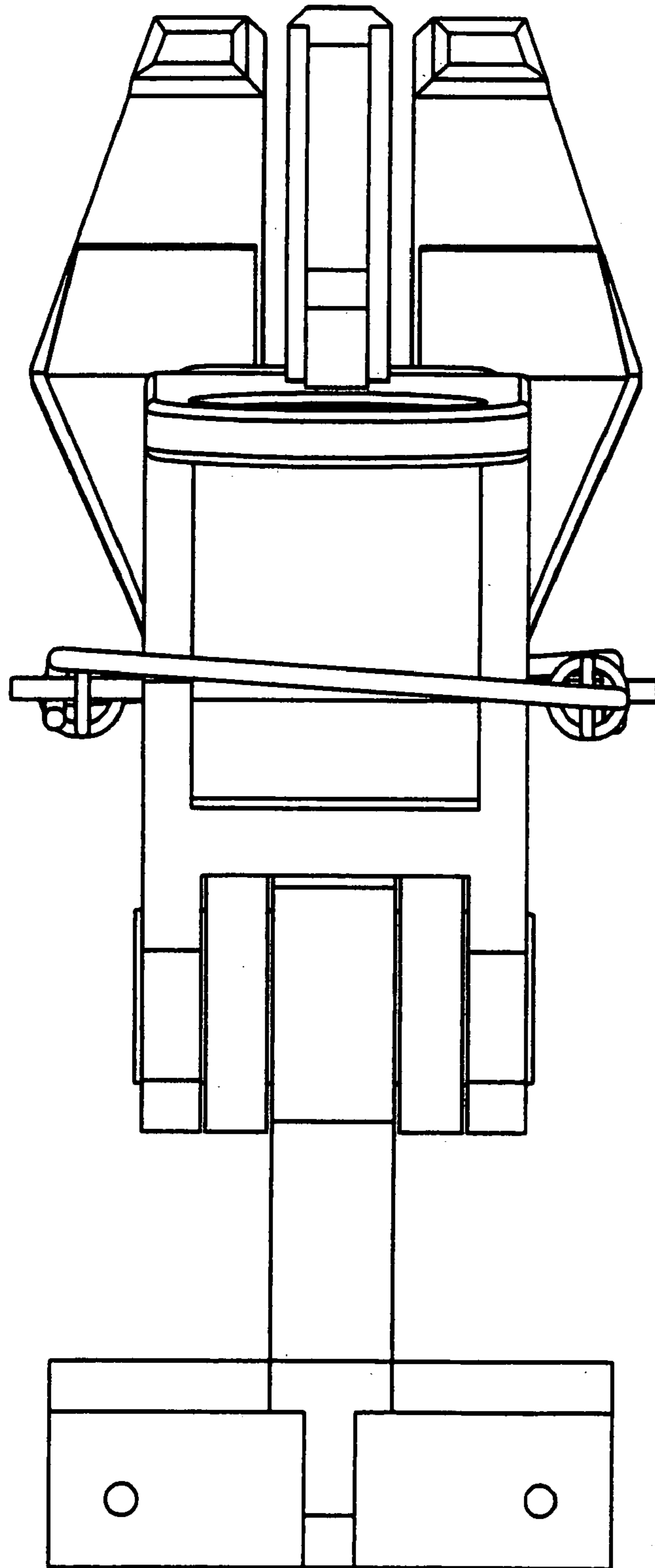


Fig. 5

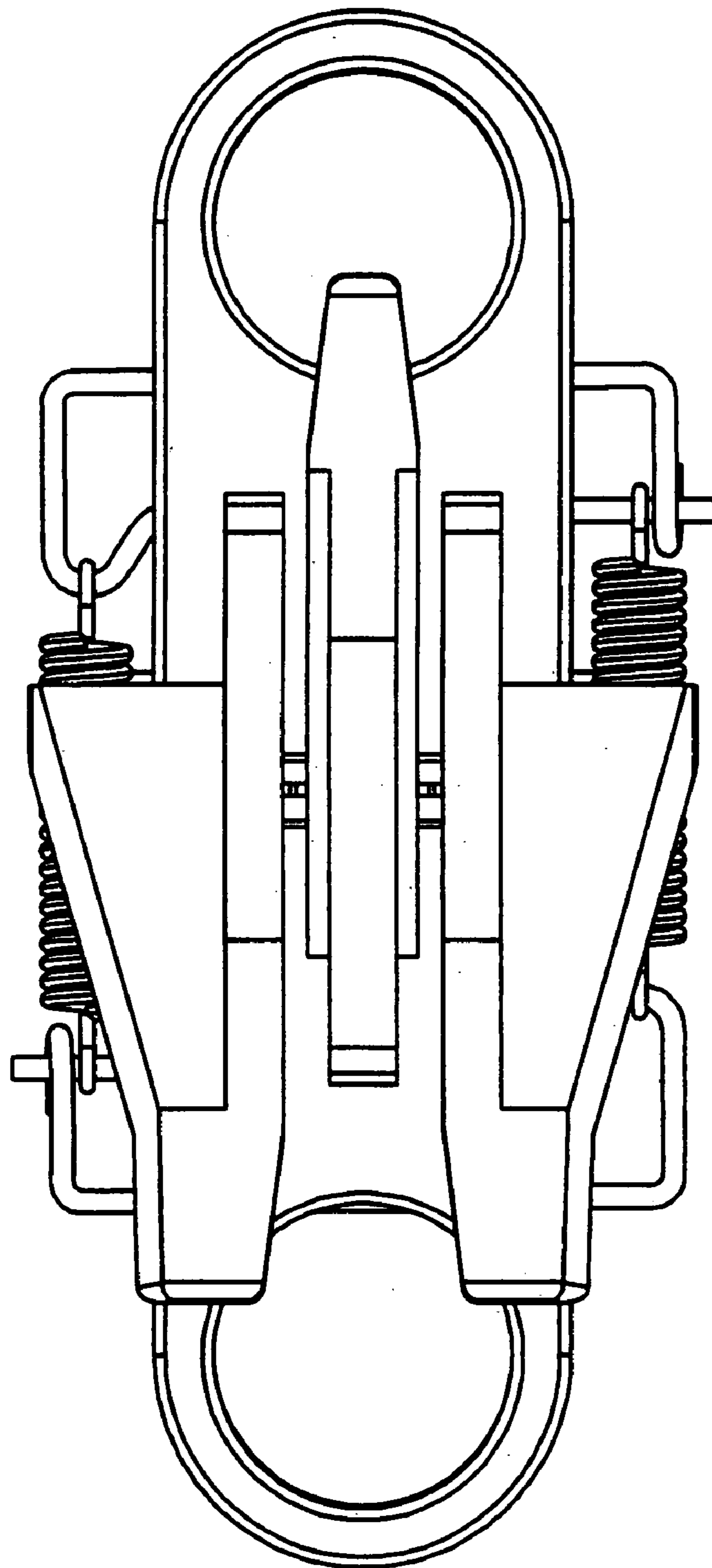


Fig. 6

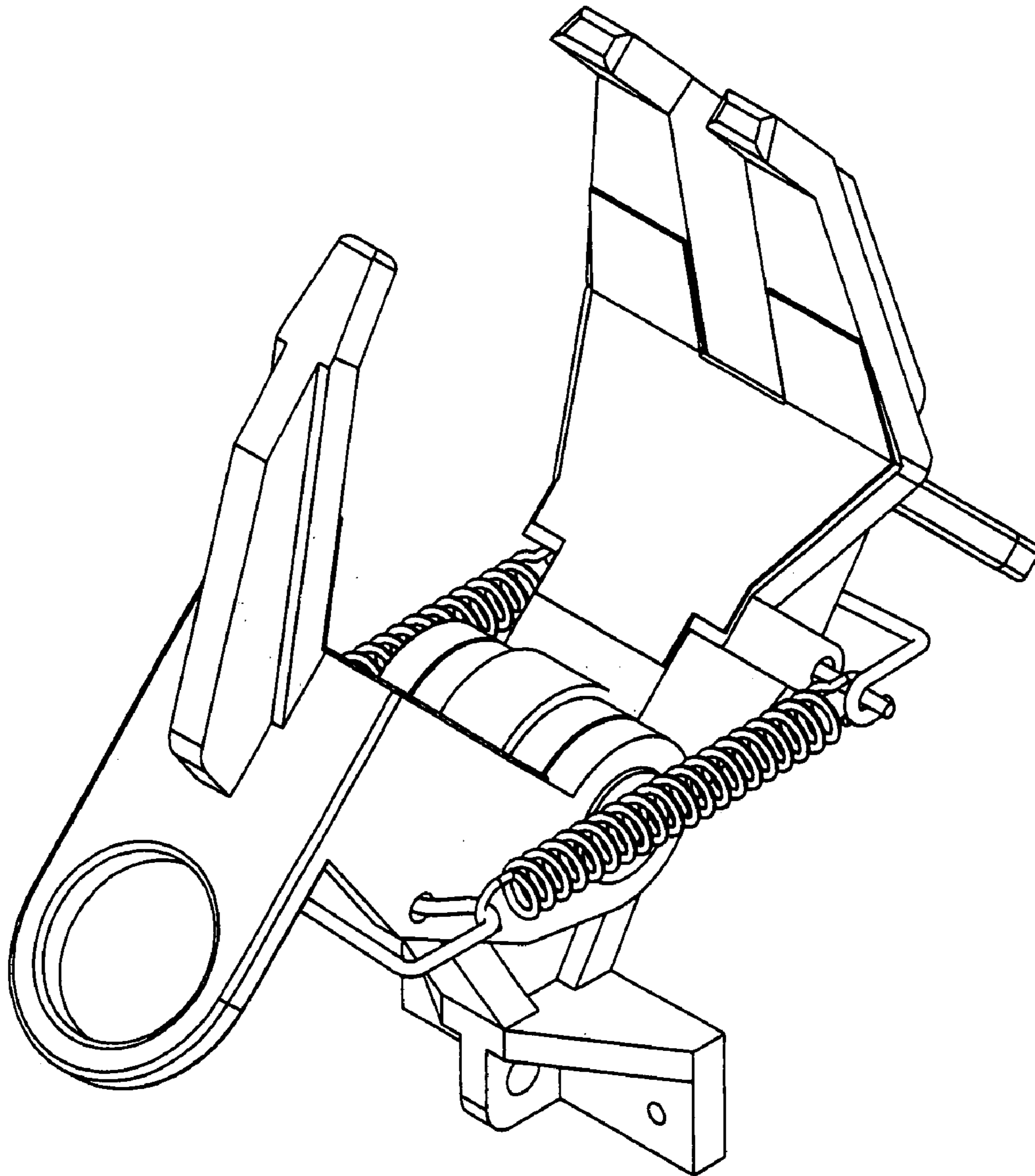


Fig. 7