



US00D557743S

(12) **United States Design Patent**
Waldinger et al.

(10) **Patent No.:** **US D557,743 S**

(45) **Date of Patent:** **** Dec. 18, 2007**

(54) **WRITING INSTRUMENT**

(76) Inventors: **Richard Waldinger**, 6435 E. Pointe Pines St., Palm Beach Gardens, FL (US) 33418; **Thomas A. McQueen**, 713 S. Second St., Delavan, WI (US) 53115

(**) Term: **14 Years**

(21) Appl. No.: **29/261,847**

(22) Filed: **Jun. 21, 2006**

(51) **LOC (8) Cl.** **19-06**

(52) **U.S. Cl.** **D19/51**

(58) **Field of Classification Search** D19/35, D19/36, 41-51, 53-57; 24/11 R, 11 F, 11 P; 401/52, 99, 100, 104, 105, 106, 107, 108, 401/109, 192, 195, 196

See application file for complete search history.

(56) **References Cited**

U.S. PATENT DOCUMENTS

- D190,262 S * 5/1961 Schier D19/49
- 3,315,395 A * 4/1967 Kirklen 40/334
- 5,072,483 A * 12/1991 Durand 15/210.1
- 6,004,057 A * 12/1999 Fulop 401/195
- 6,505,984 B2 * 1/2003 Smith et al. 401/52
- 6,742,953 B2 * 6/2004 Burden et al. 401/194
- D507,599 S * 7/2005 Qiu D19/50

- D508,081 S * 8/2005 Qiu D19/50
- D535,696 S * 1/2007 Briggel D19/51
- 7,236,994 B2 * 6/2007 Bhavnani et al. 708/107

* cited by examiner

Primary Examiner—Elizabeth A. Albert
(74) *Attorney, Agent, or Firm*—Howard C. Miskin, Esq.; Gloria Tsui-Yip, Esq.

(57) **CLAIM**

The ornamental design for writing instrument, as shown and described.

DESCRIPTION

FIG. 1 is a perspective view of our new writing instrument design;

FIG. 2 is a top plan view thereof;

FIG. 3 is a bottom plan view thereof;

FIG. 4 is a front elevational view thereof;

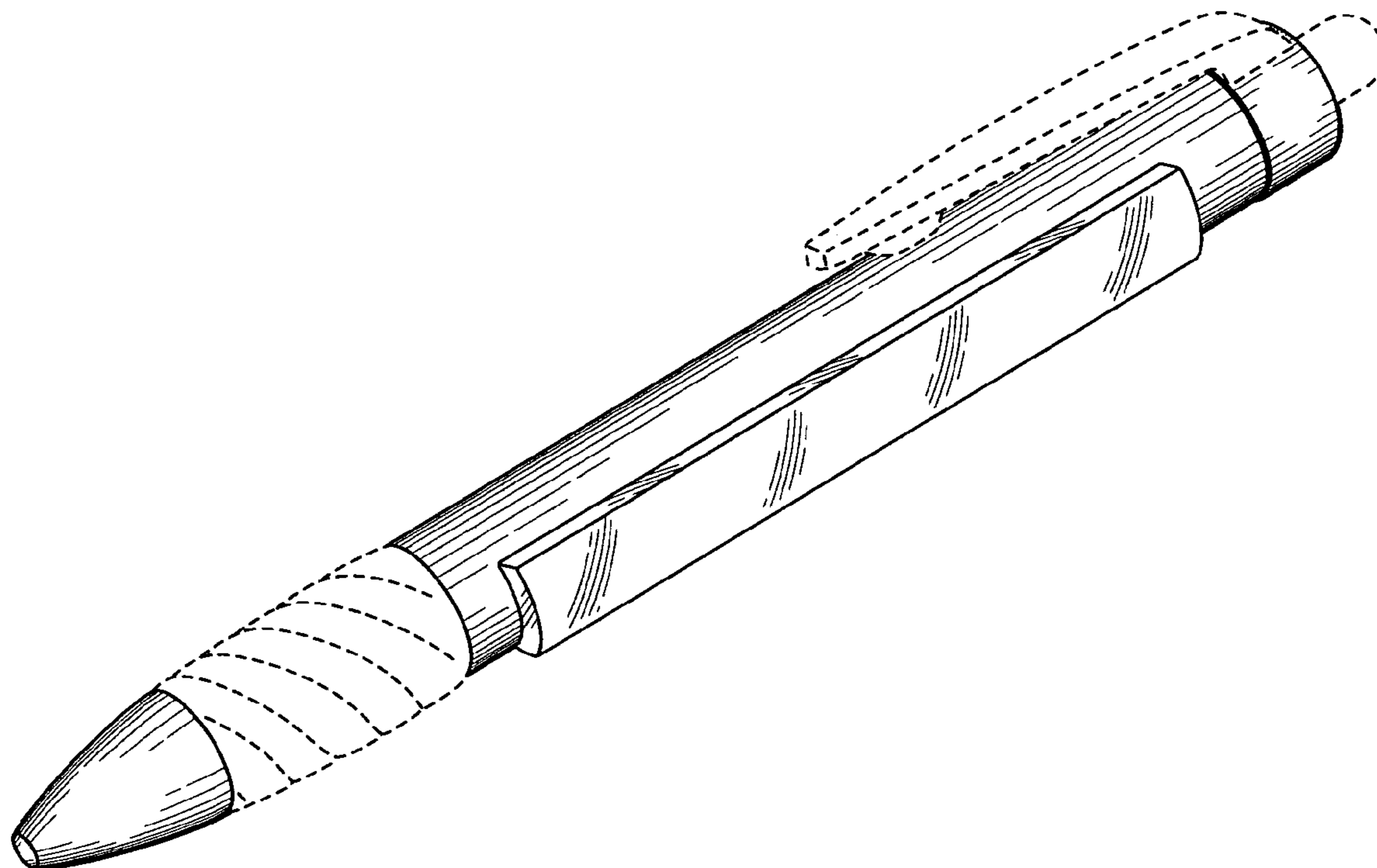
FIG. 5 is a rear elevational view thereof;

FIG. 6 is a left side view thereof; and,

FIG. 7 is a right side view thereof.

The broken lines showing parts of the writing instrument are included for the purpose of illustrating environment and form no part of the claimed design.

1 Claim, 4 Drawing Sheets



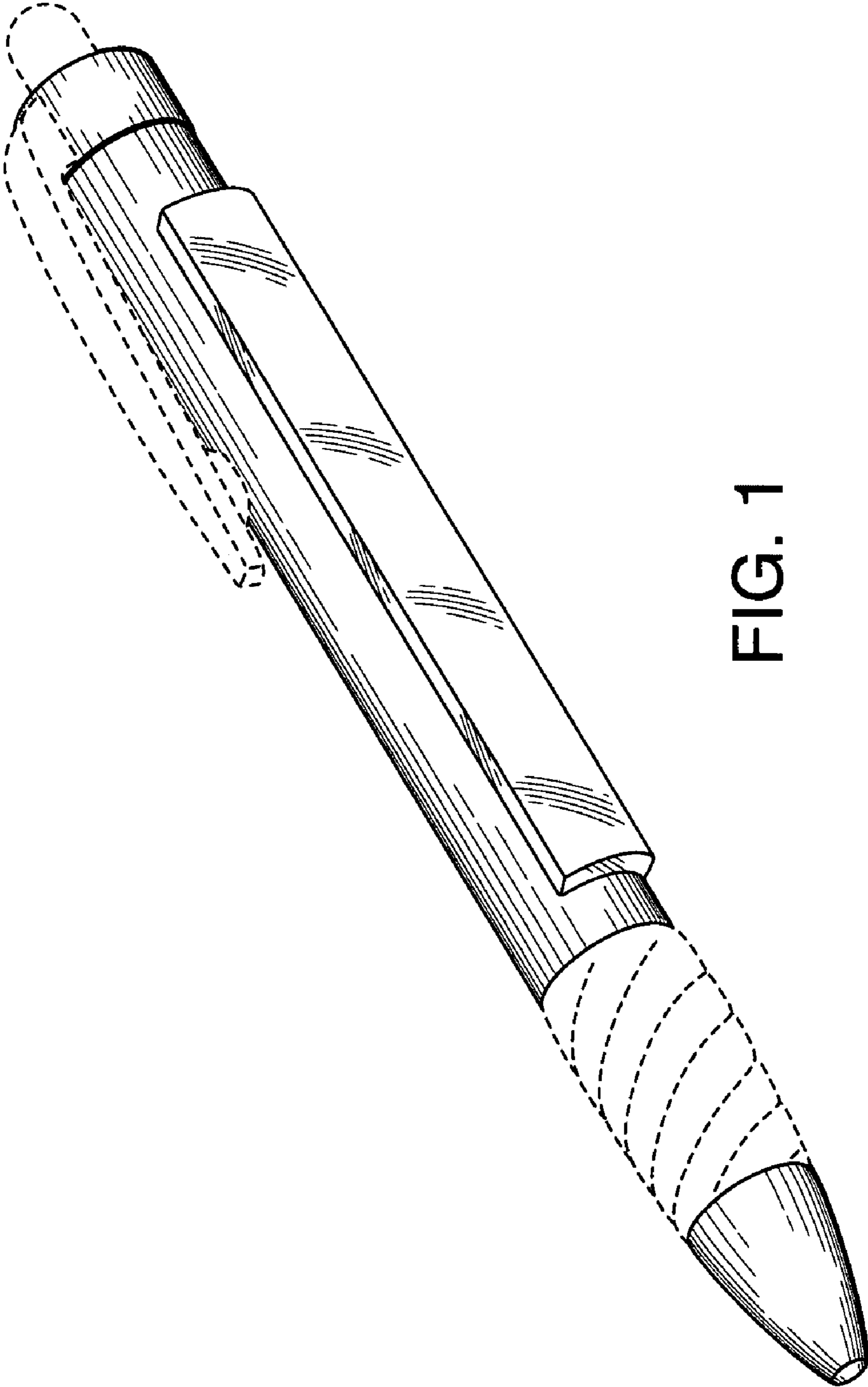


FIG. 1

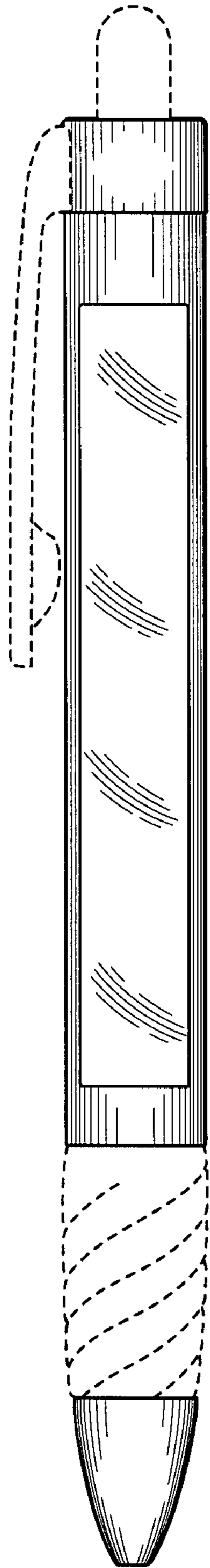


FIG. 2

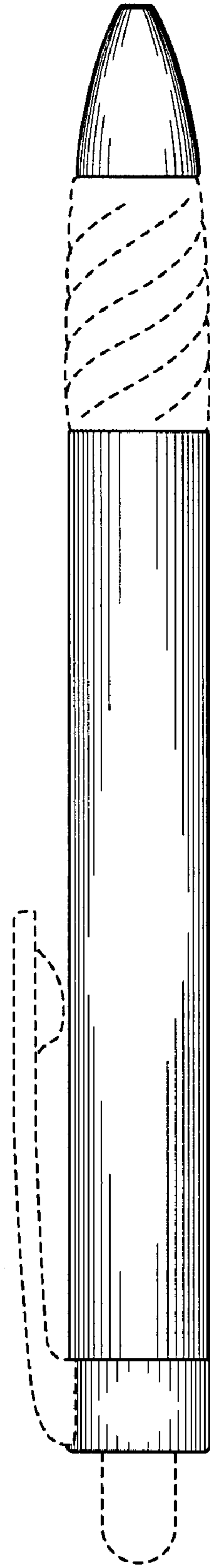


FIG. 3

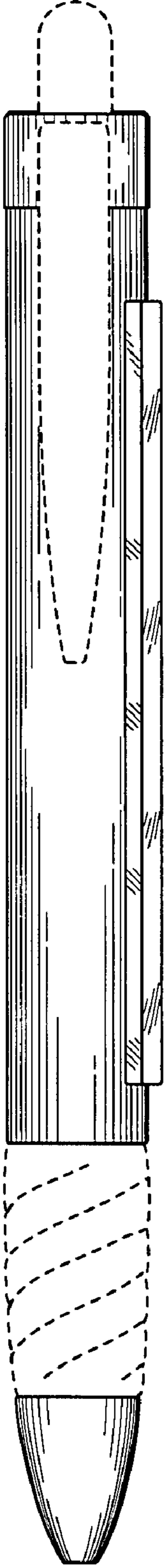


FIG. 4

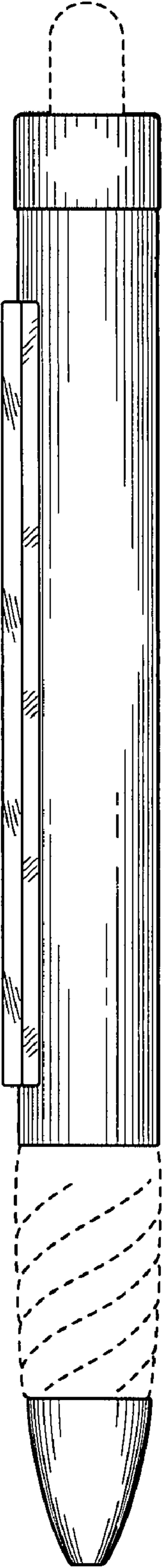


FIG. 5

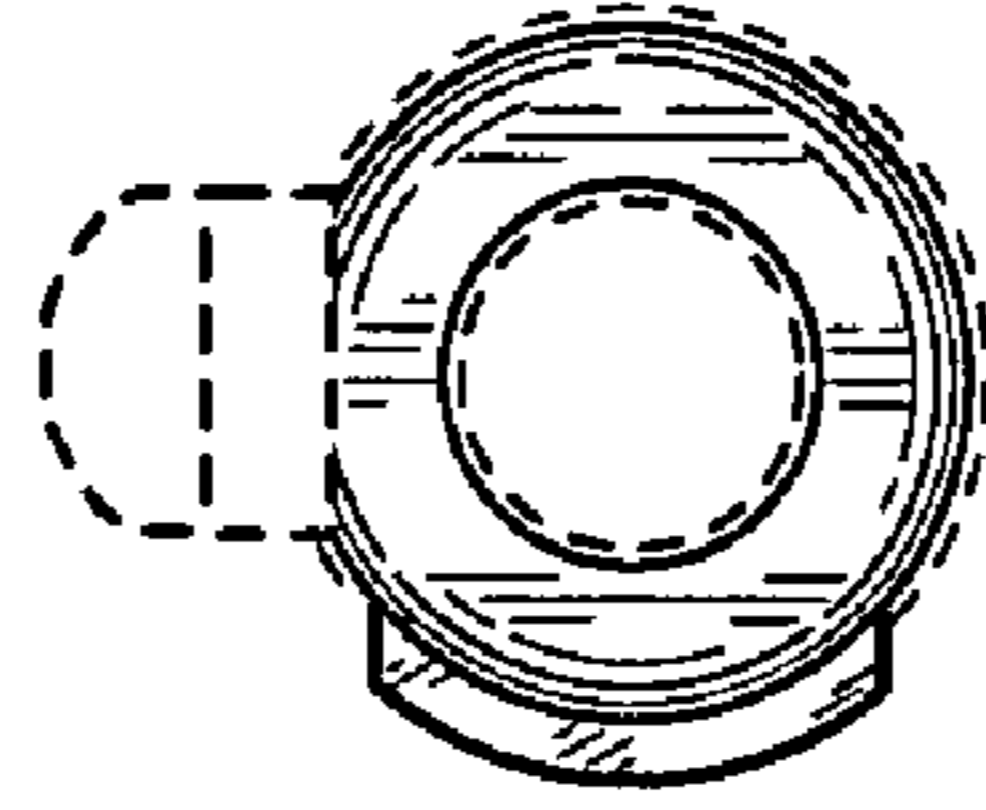


FIG. 7

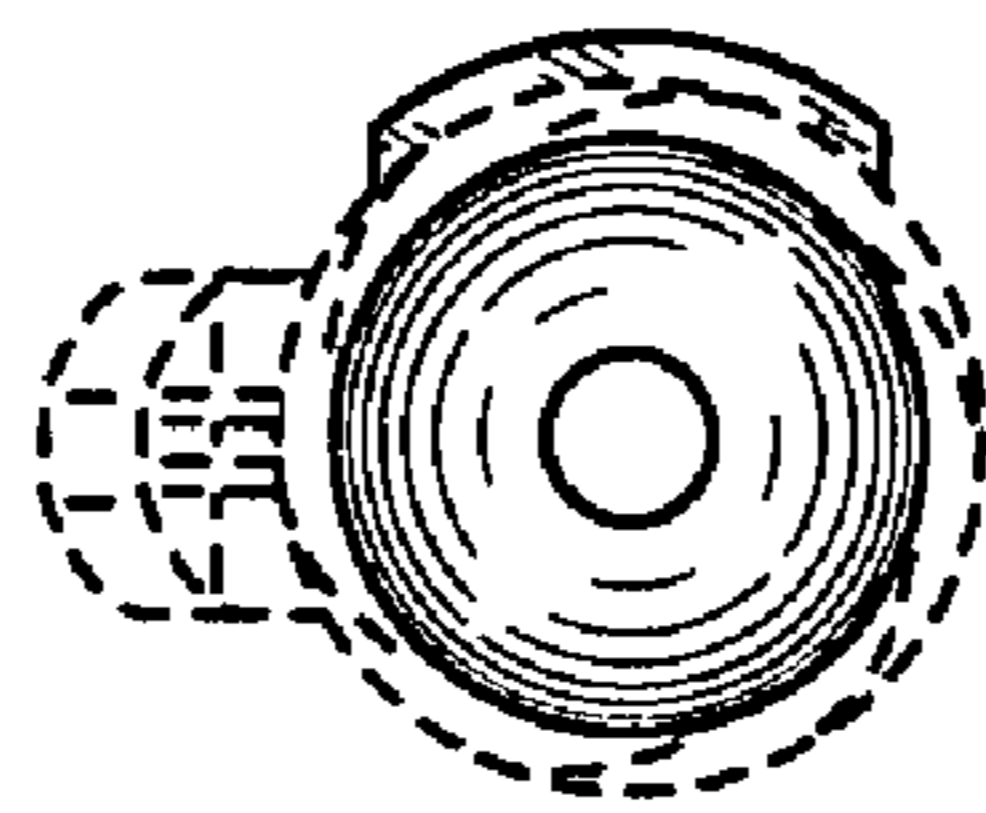


FIG. 6