



US00D557738S

(12) **United States Design Patent**
Falk

(10) **Patent No.:** **US D557,738 S**

(45) **Date of Patent:** **** Dec. 18, 2007**

(54) **PRINTER**

(75) Inventor: **Kevin L. Falk**, Boise, ID (US)

(73) Assignee: **Hewlett-Packard Development Company, L.P.**, Houston, TX (US)

(**) Term: **14 Years**

(21) Appl. No.: **29/266,876**

(22) Filed: **Sep. 29, 2006**

(51) **LOC (8) Cl.** **18-02**

(52) **U.S. Cl.** **D18/53**

(58) **Field of Classification Search** D18/50,
D18/52, 53, 54, 56, 14, 18, 19; D14/399;
D13/164, 168; 400/613, 613.1-613.4, 691-694;
101/93.4, 269; 355/78

See application file for complete search history.

(56) **References Cited**

U.S. PATENT DOCUMENTS

D425,551 S *	5/2000	Shiozaki et al.	D18/53
D455,779 S *	4/2002	Falk et al.	D18/53
D456,444 S *	4/2002	Falk et al.	D18/53
D468,321 S *	1/2003	Naganuma	D14/463
D483,402 S *	12/2003	LaBarbera et al.	D18/53
D486,852 S *	2/2004	Shiozaki	D18/53
D520,054 S *	5/2006	Katayama et al.	D18/54
D528,154 S *	9/2006	Hattori	D18/54

D528,596 S *	9/2006	Hattori	D18/54
D530,737 S *	10/2006	Lim et al.	D18/50
D534,175 S *	12/2006	Orihashi et al.	D14/463
D536,372 S *	2/2007	Lim et al.	D18/53

FOREIGN PATENT DOCUMENTS

GB	2061007	*	3/1997
GB	3011458	*	3/2003

* cited by examiner

Primary Examiner—Charles A. Rademaker

(57) **CLAIM**

The ornamental design for a printer, as shown and described.

DESCRIPTION

FIG. 1 is a front perspective view of a printer showing my new design.

FIG. 2 is a front elevation view of the printer.

FIG. 3 is a top plan view of the printer.

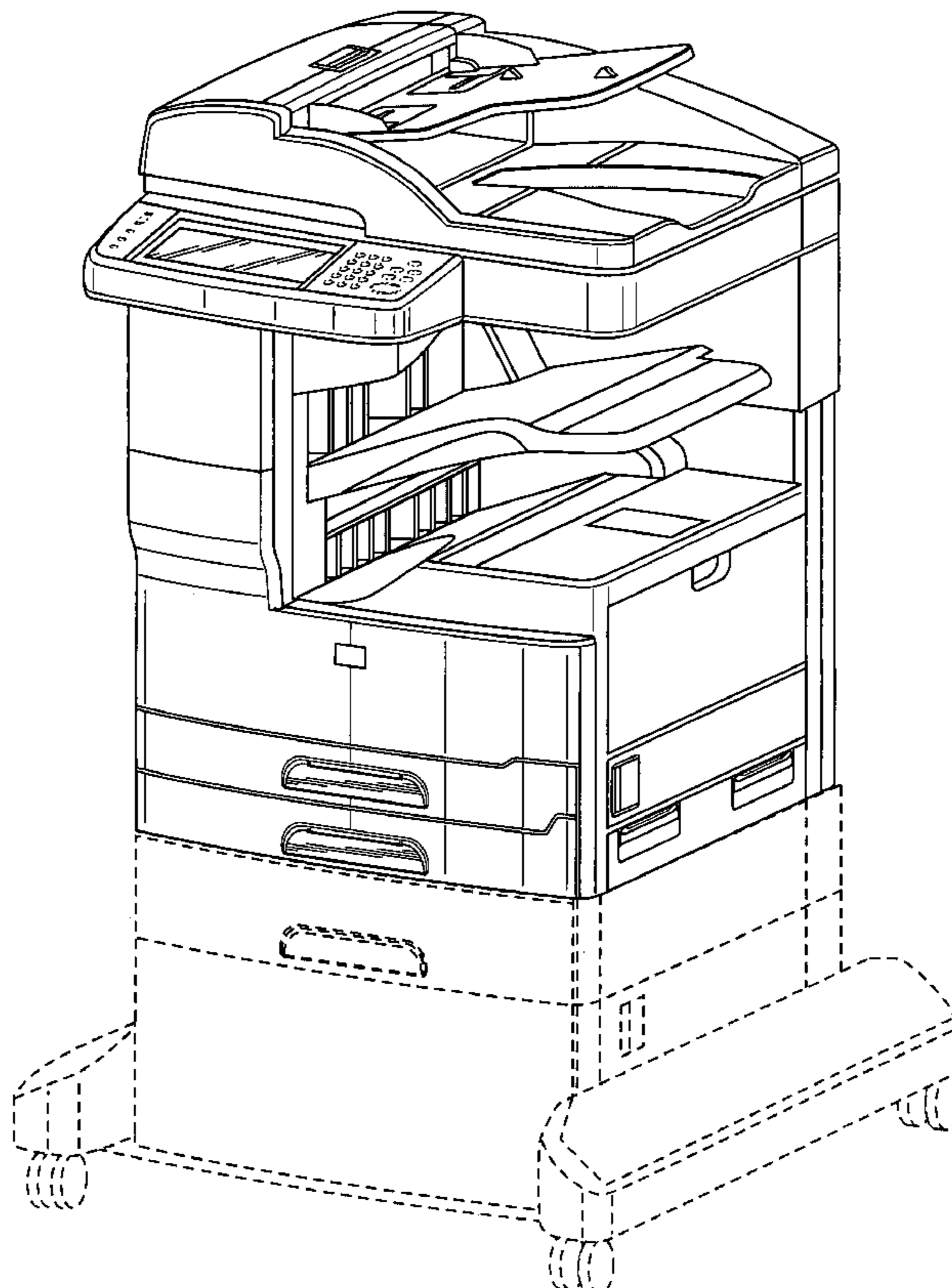
FIG. 4 is a right side elevation view of the printer.

FIG. 5 left side elevation view of the printer; and,

FIG. 6 is a rear elevation view of the printer.

The broken line showing of environment structures is included for the purpose of illustration and forms no part of the claimed design.

1 Claim, 6 Drawing Sheets



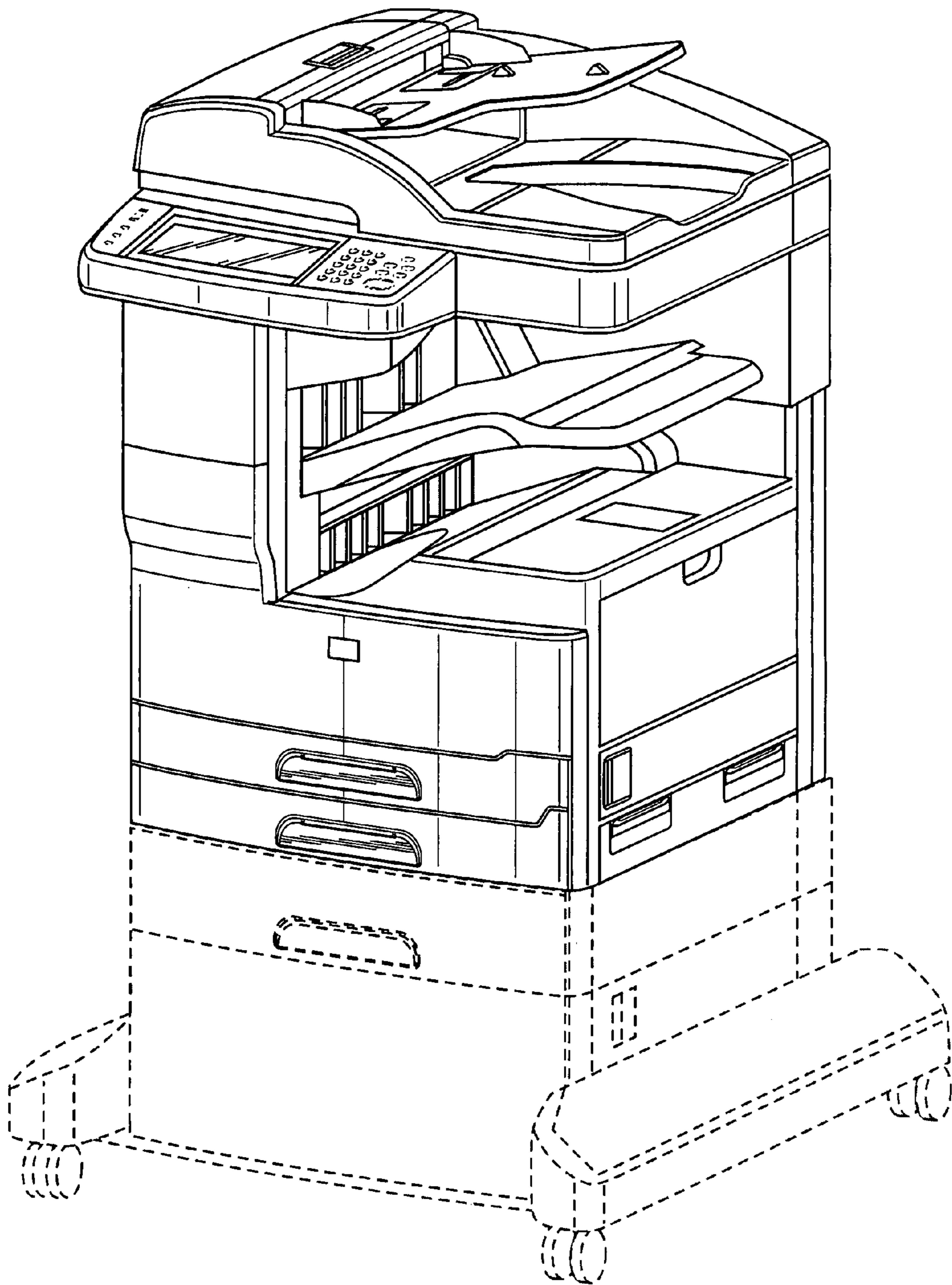


Fig. 1

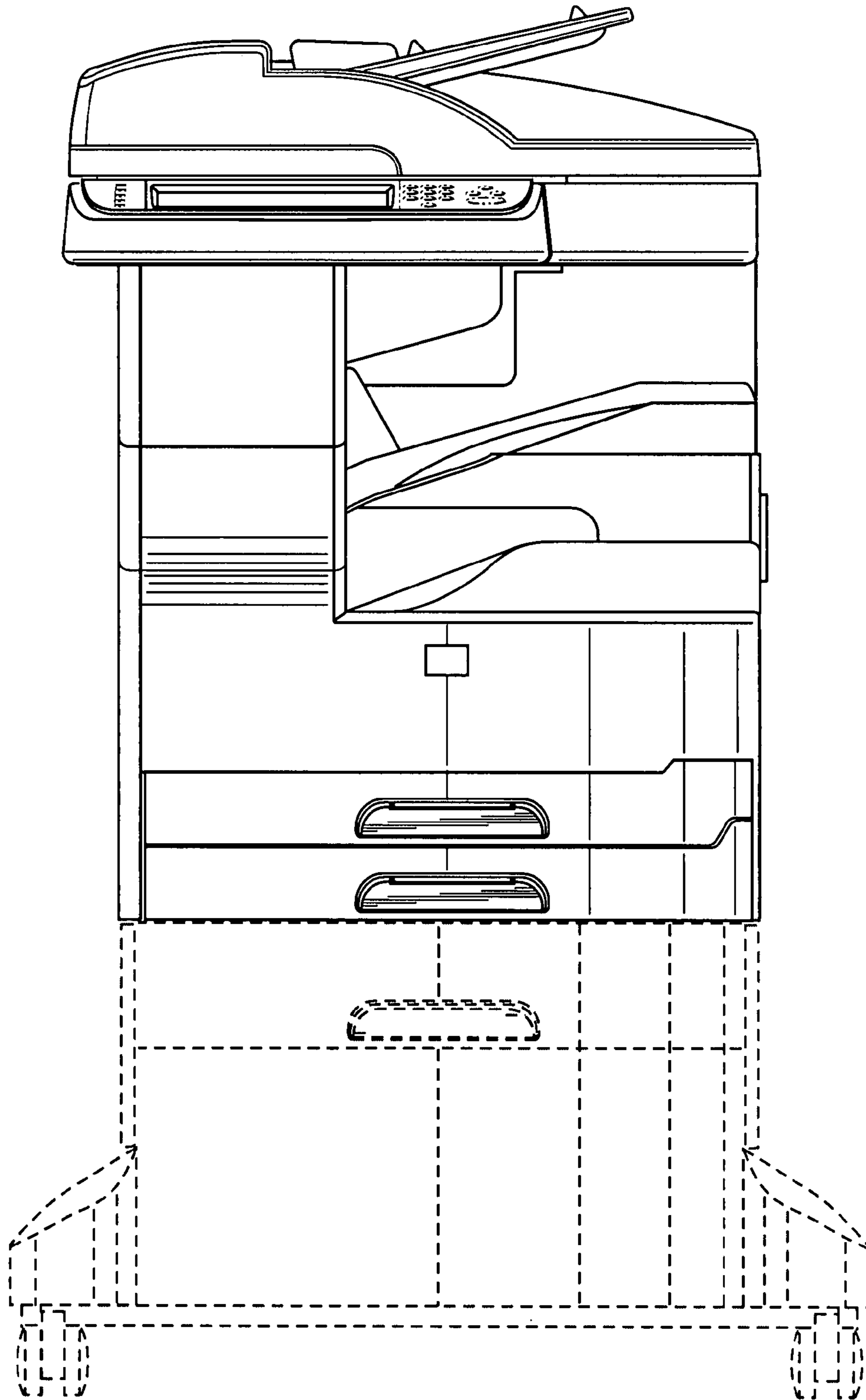


Fig. 2

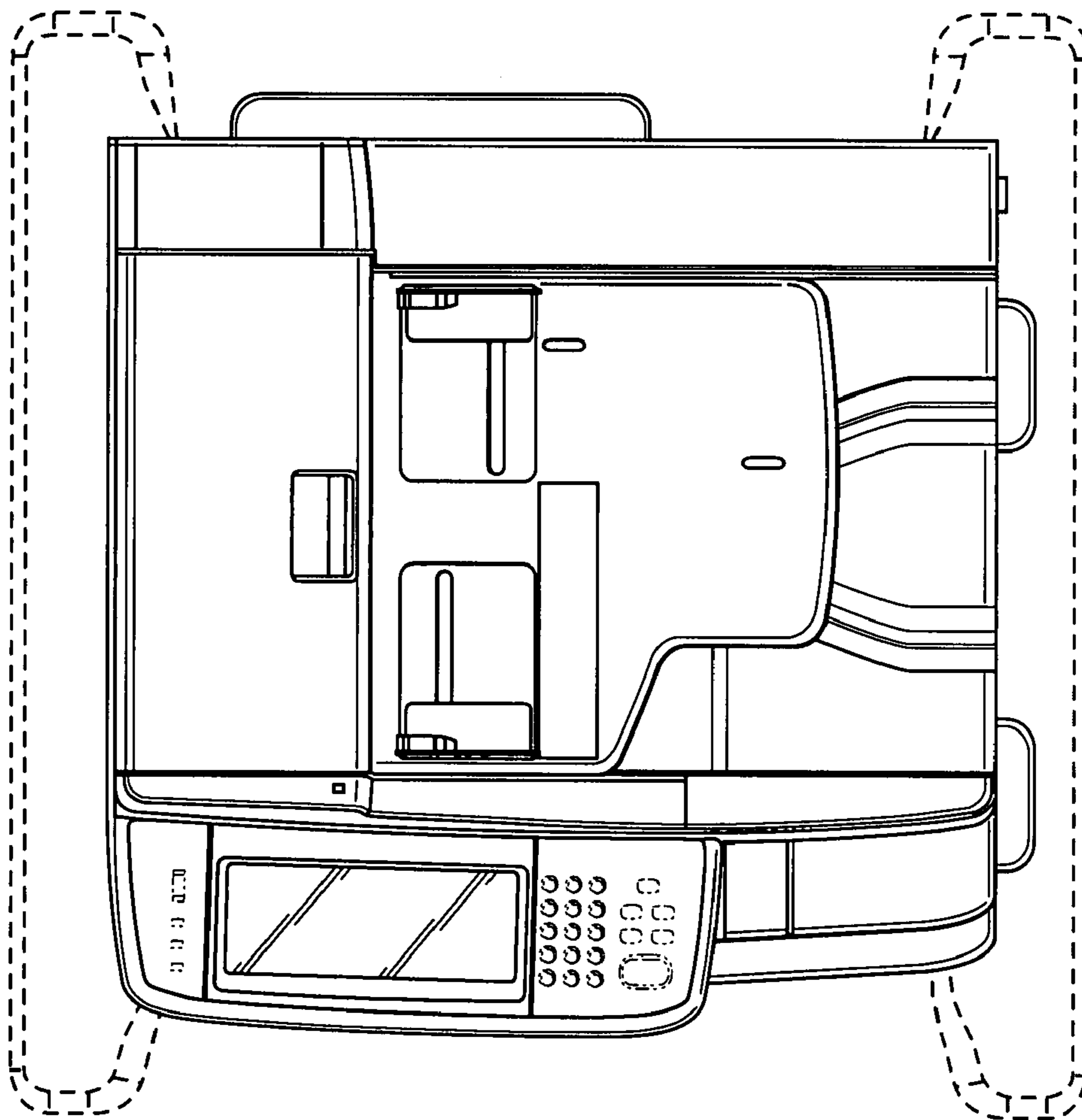


Fig. 3

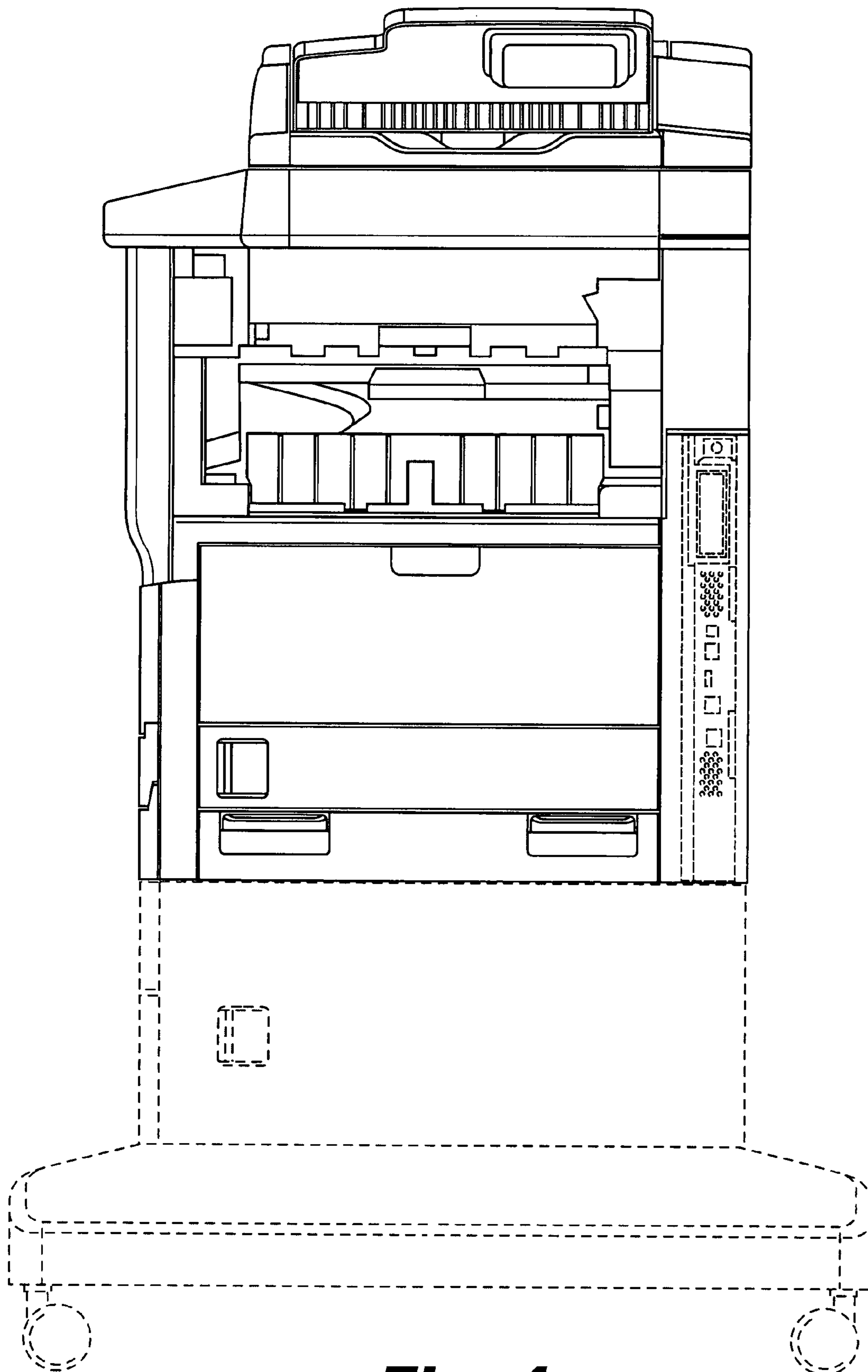


Fig. 4

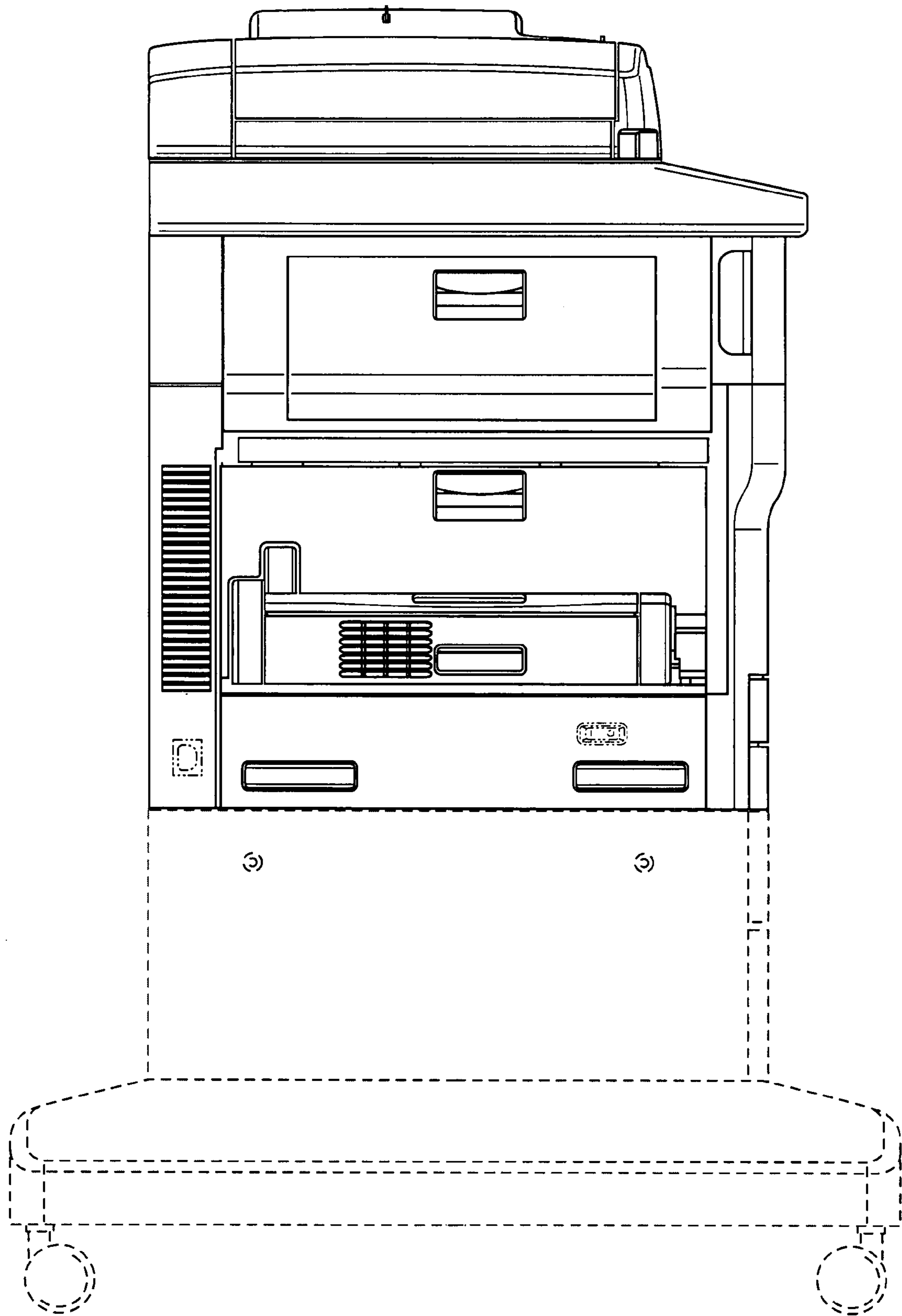


Fig. 5

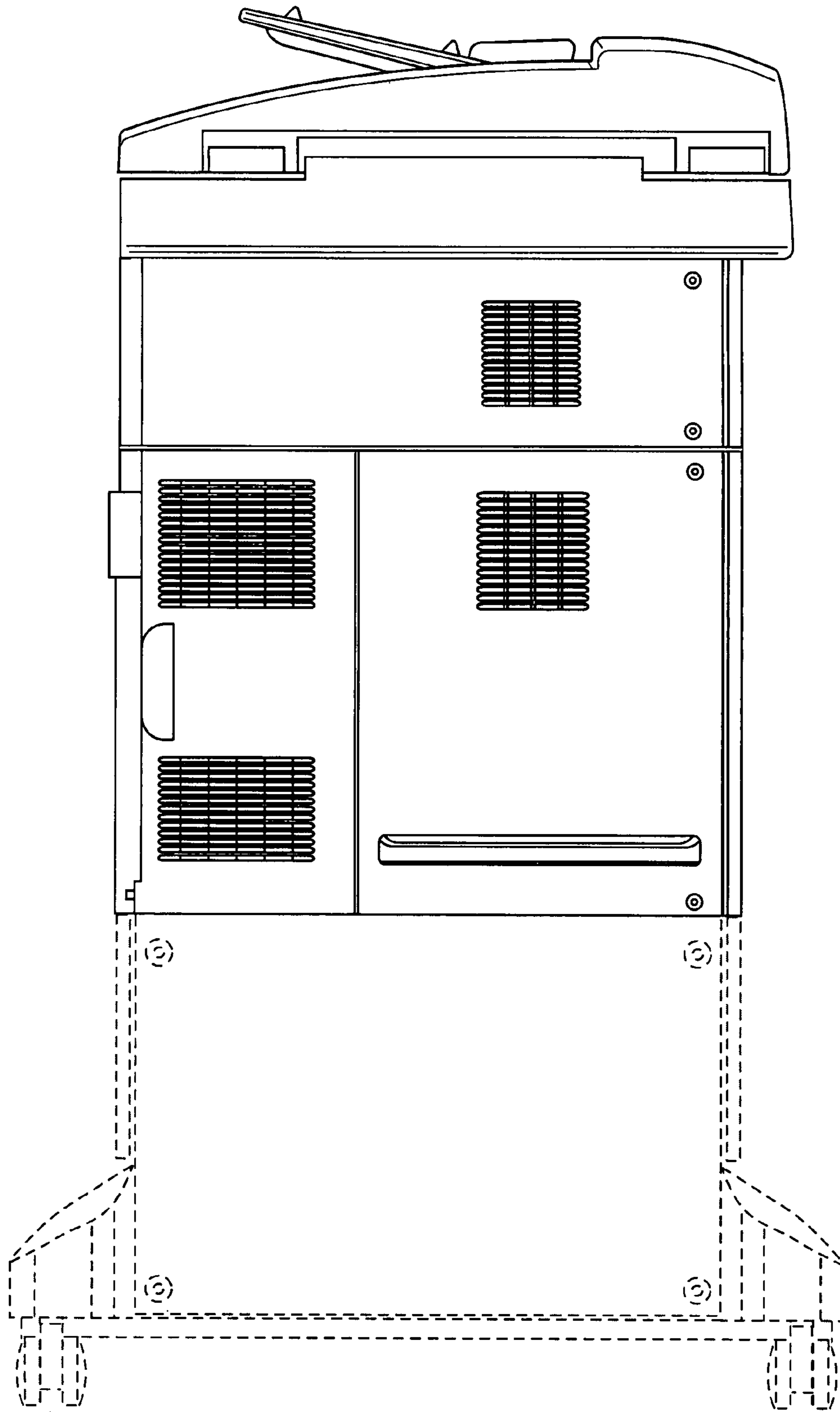


Fig. 6