



US00D557736S

(12) **United States Design Patent**
Horiguchi et al.

(10) **Patent No.:** **US D557,736 S**

(45) **Date of Patent:** **** Dec. 18, 2007**

(54) **COPYING MACHINE WITH SCANNING AND PRINTING FUNCTIONS**

(75) Inventors: **Shigeru Horiguchi**, Kanagawa (JP);
Tamaki Someya, Saitama (JP);
Kazuyoshi Yamada, Kanagawa (JP);
Osamu Miki, Kanagawa (JP);
Masateru Kohno, Kanagawa (JP);
Makoto Kurata, Kanagawa (JP)

(73) Assignee: **Ricoh Company, Ltd.**, Tokyo (JP)

(**) Term: **14 Years**

(21) Appl. No.: **29/259,712**

(22) Filed: **May 16, 2006**

(30) **Foreign Application Priority Data**

Nov. 16, 2005 (JP) 2005-033805

(51) **LOC (8) Cl.** **16-03**

(52) **U.S. Cl.** **D18/39**

(58) **Field of Classification Search** D18/36-41,
D18/44-55; 222/DIG. 1; 271/3.14, 8.1,
271/226, 278; 355/97, 99; 358/1.1; 399/1-7,
399/16, 75, 81, 107, 130, 151, 361, 365,
399/367, 381-383, 388

See application file for complete search history.

(56) **References Cited**

U.S. PATENT DOCUMENTS

D433,439 S * 11/2000 Yoshida et al. D18/36
D447,765 S * 9/2001 Hatanaka et al. D18/39

D459,752 S * 7/2002 Shiozaki D18/36
D486,513 S * 2/2004 Ohashi D18/41
6,728,511 B2 * 4/2004 Watanabe 399/107
D501,019 S * 1/2005 Yoshida et al. D18/39
D537,471 S * 2/2007 Inoue D18/41
D537,866 S * 3/2007 Matsuda et al. D18/39
D538,330 S * 3/2007 Hatanaka et al. D18/39
2006/0092434 A1 * 5/2006 Koakutsu 358/1.1

* cited by examiner

Primary Examiner—Robert M. Spear

Assistant Examiner—Garth Rademaker

(74) *Attorney, Agent, or Firm*—Dickstein Shapiro LLP

(57) **CLAIM**

The ornamental design for a copying machine with scanning and printing functions, as shown and described.

DESCRIPTION

FIG. 1 is a front elevation of a copying machine with scanning and printing functions according to the present invention;

FIG. 2 is a rear elevation thereof;

FIG. 3 is a top plan view thereof;

FIG. 4 is a bottom plan view thereof;

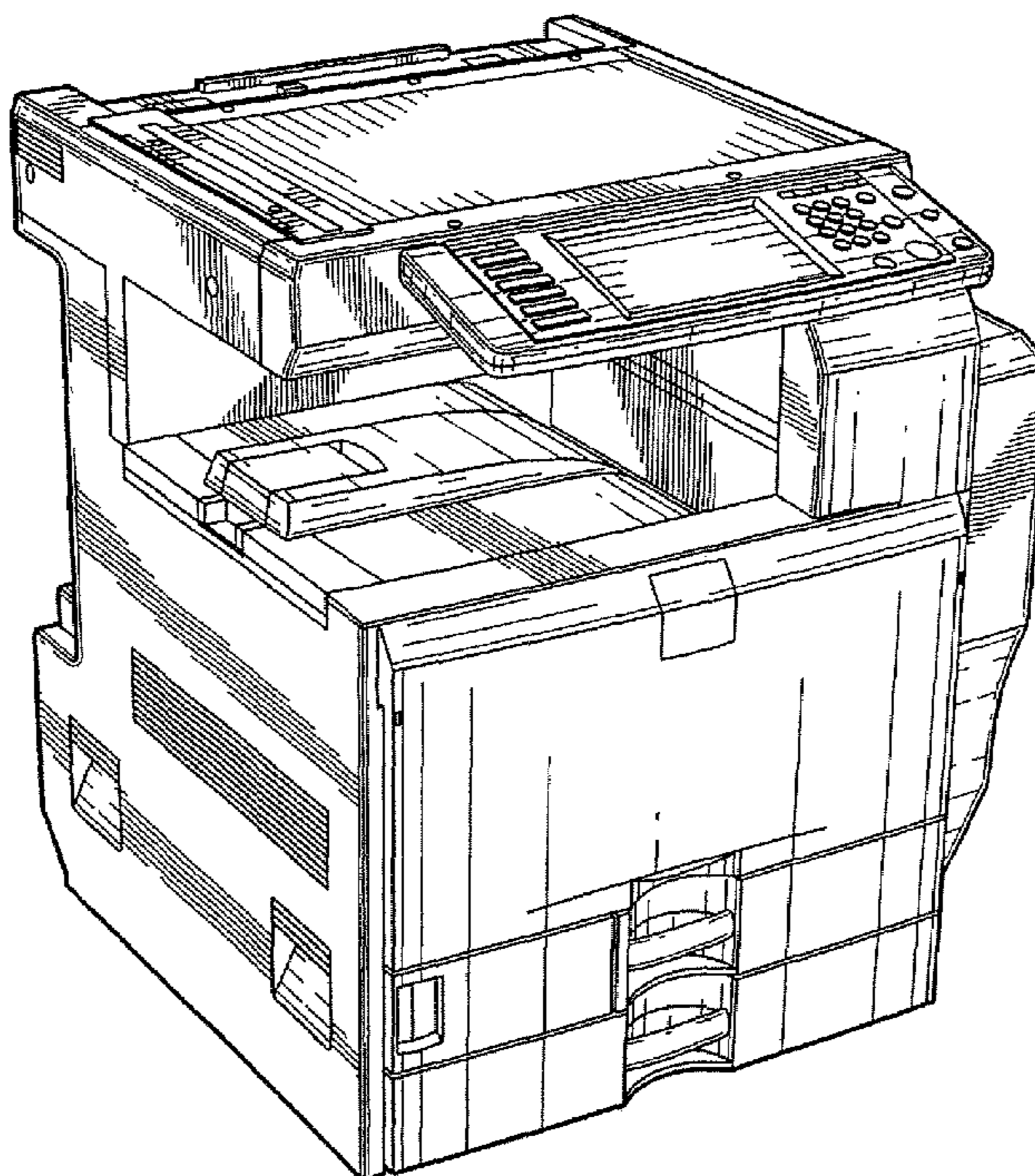
FIG. 5 is a right side elevation thereof;

FIG. 6 is a left side elevation thereof;

FIG. 7 is a top, front and right side perspective view thereof; and,

FIG. 8 is a top, front and left side perspective view thereof.

1 Claim, 8 Drawing Sheets



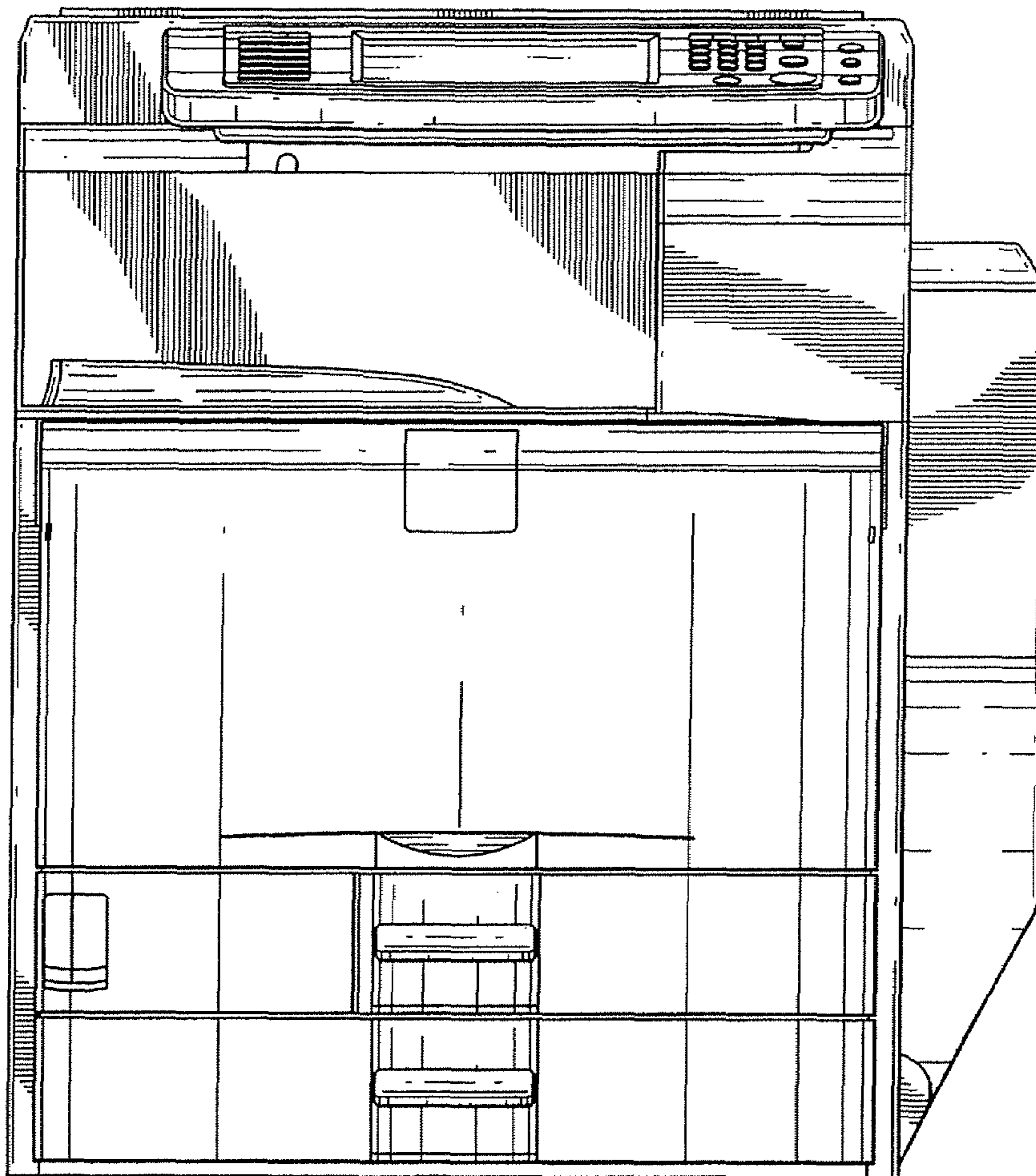


FIG. 1

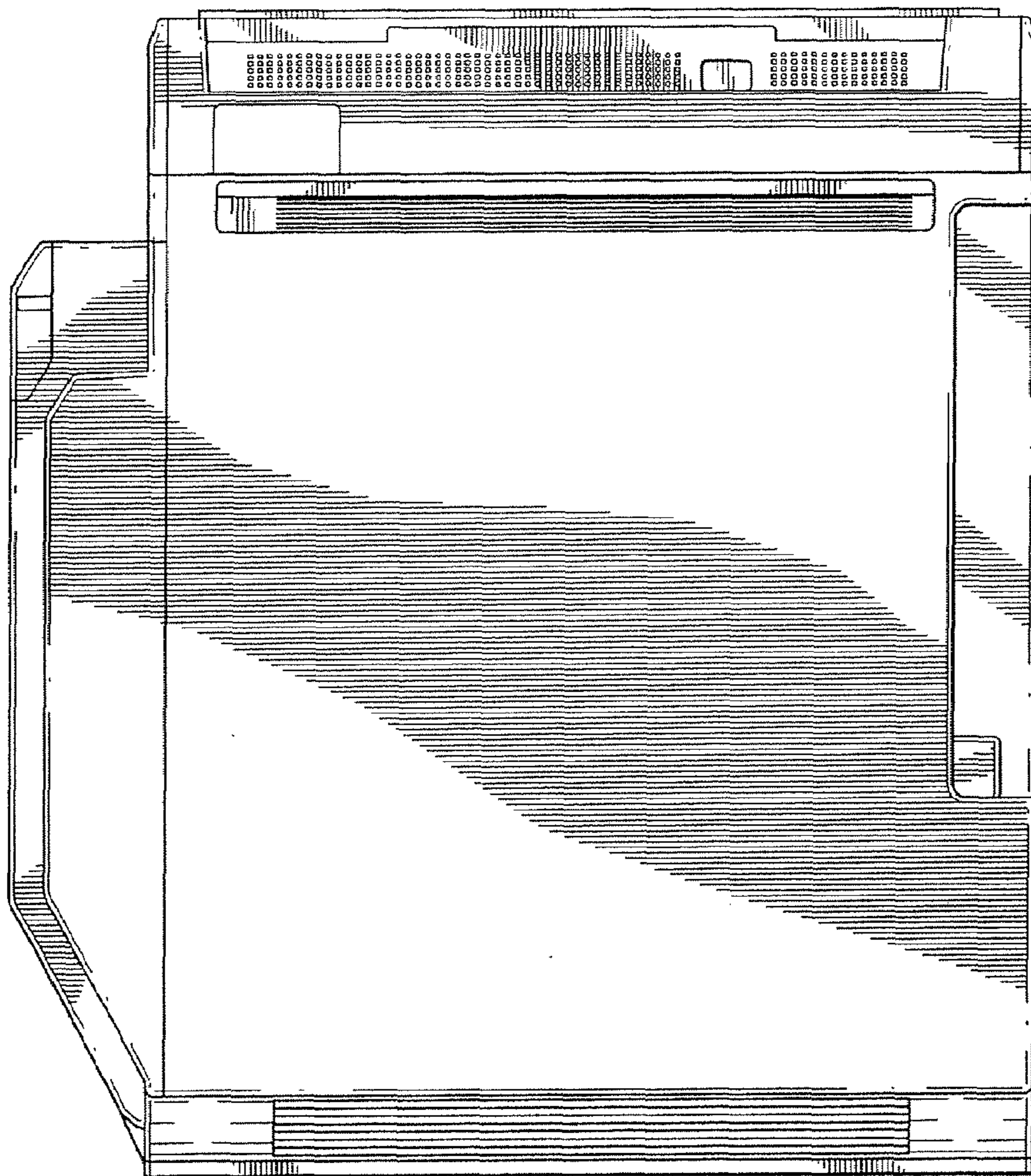


FIG.2

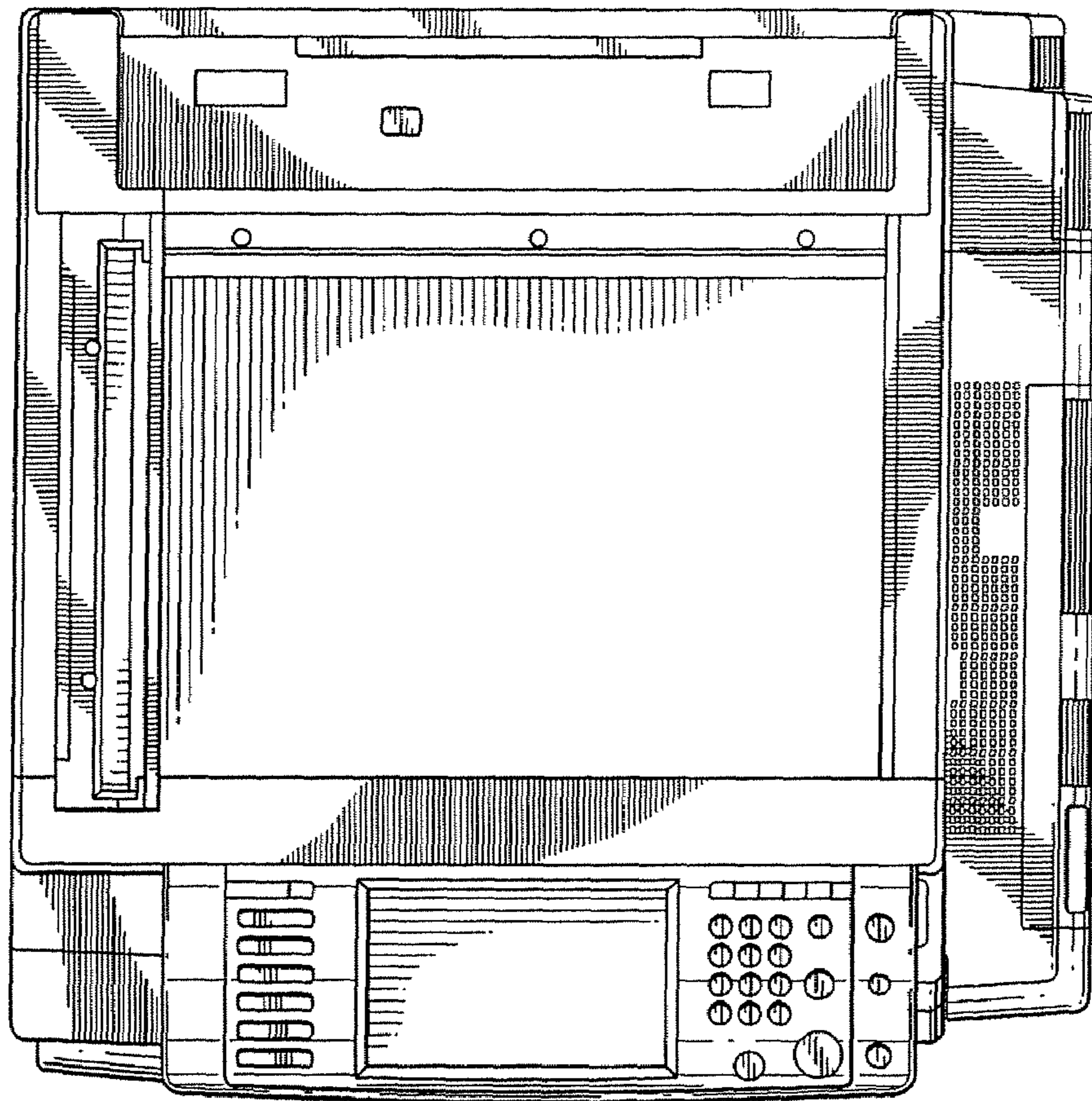


FIG. 3

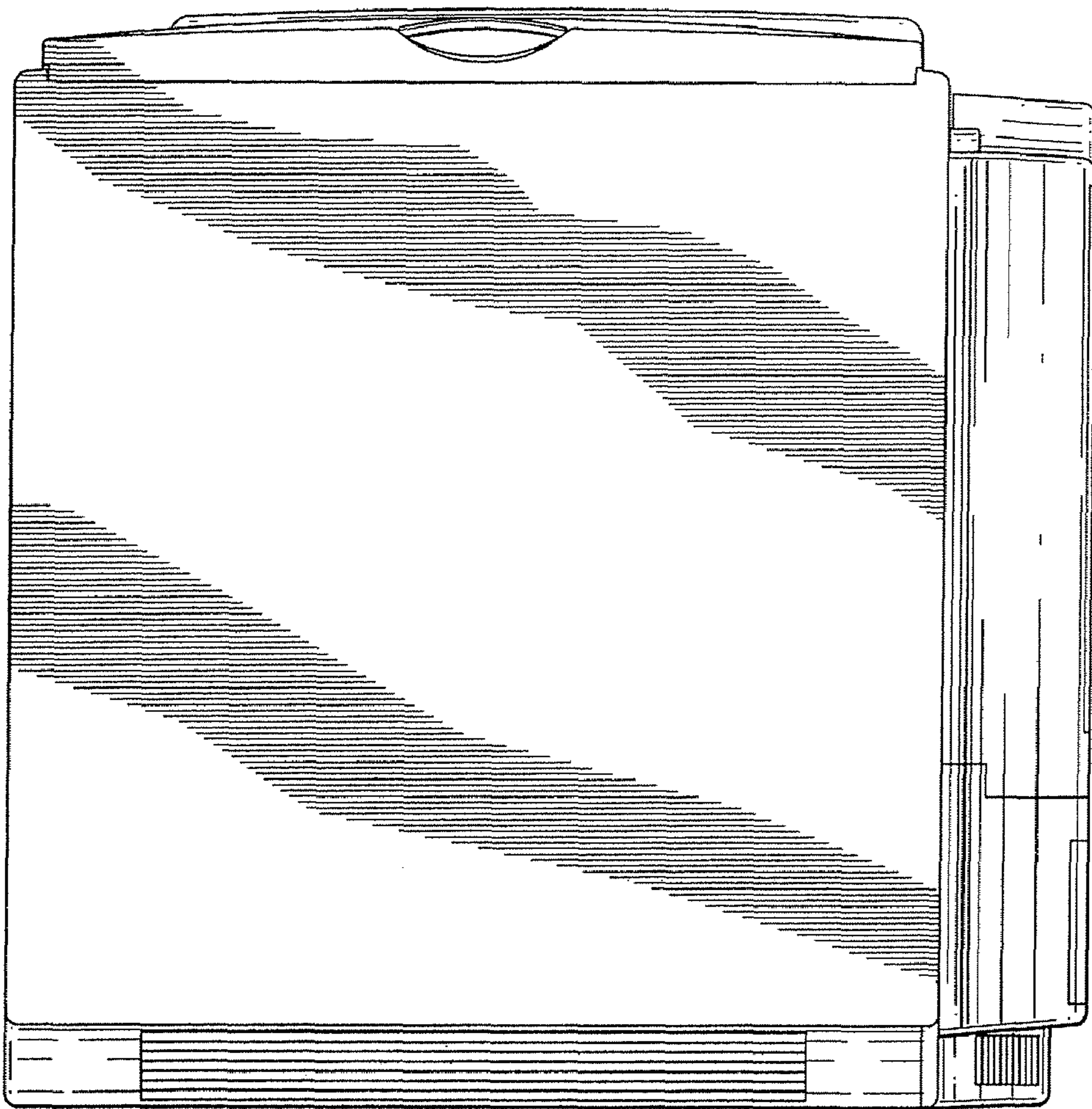


FIG.4

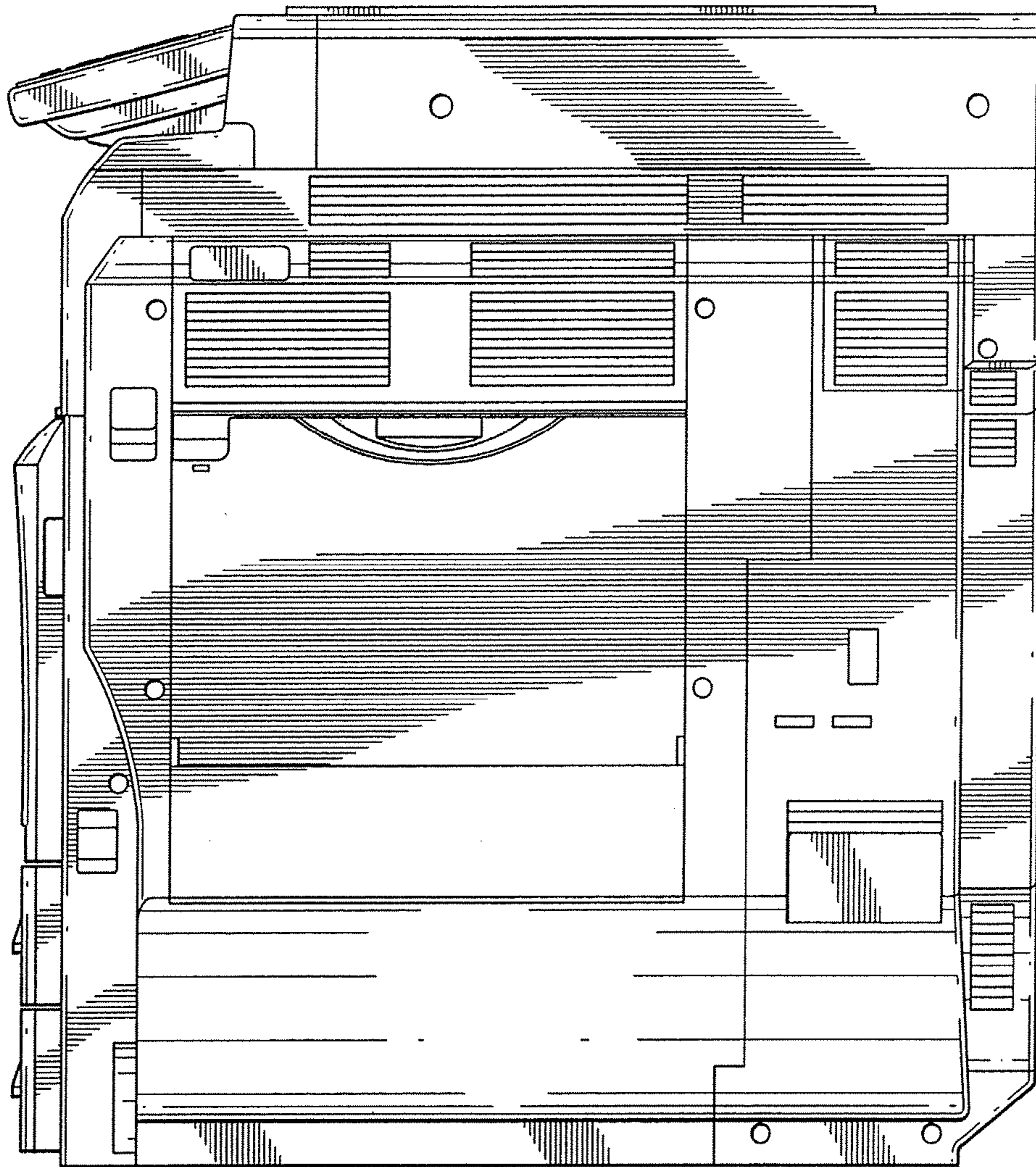


FIG. 5

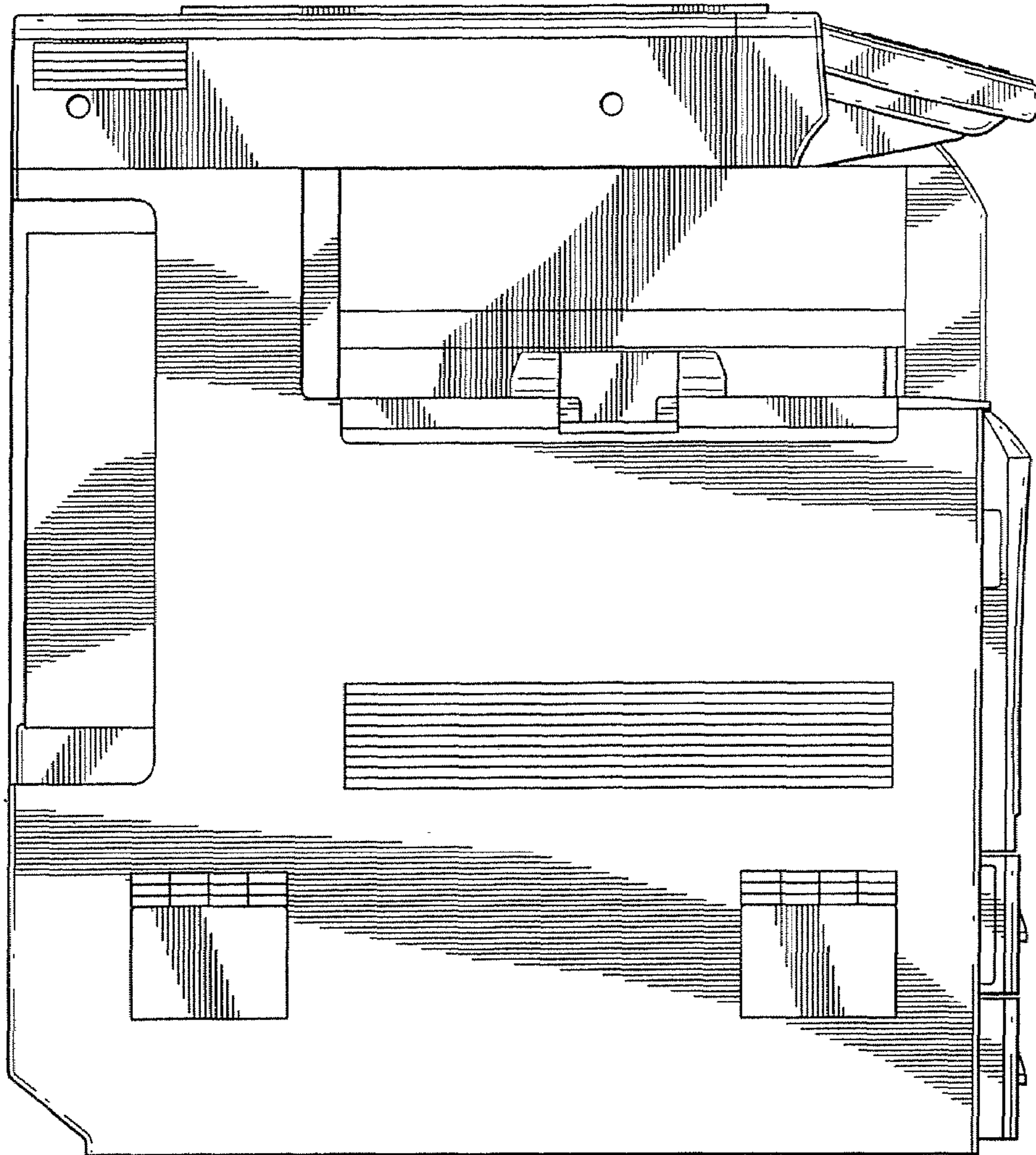


FIG. 6

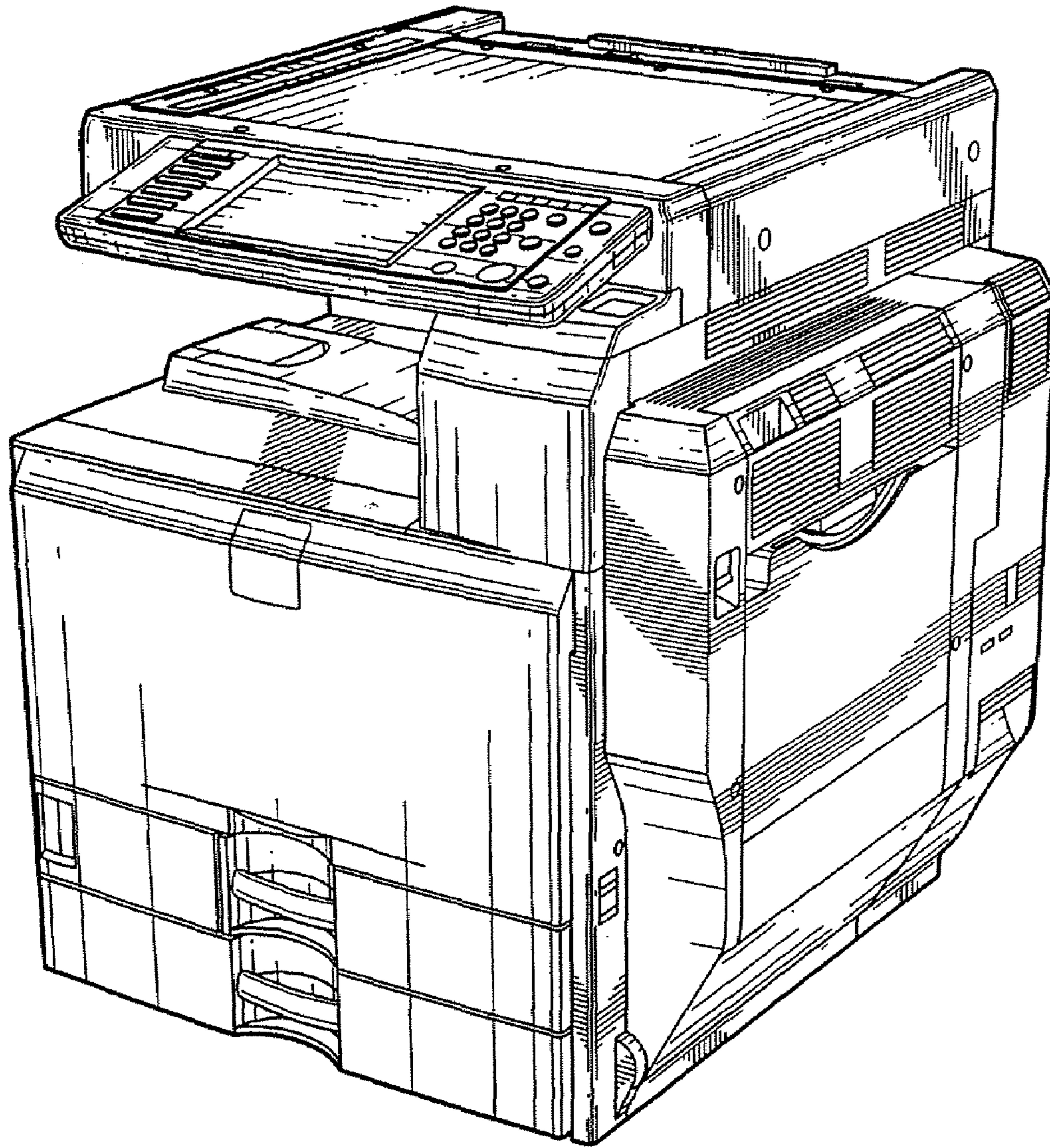


FIG. 7

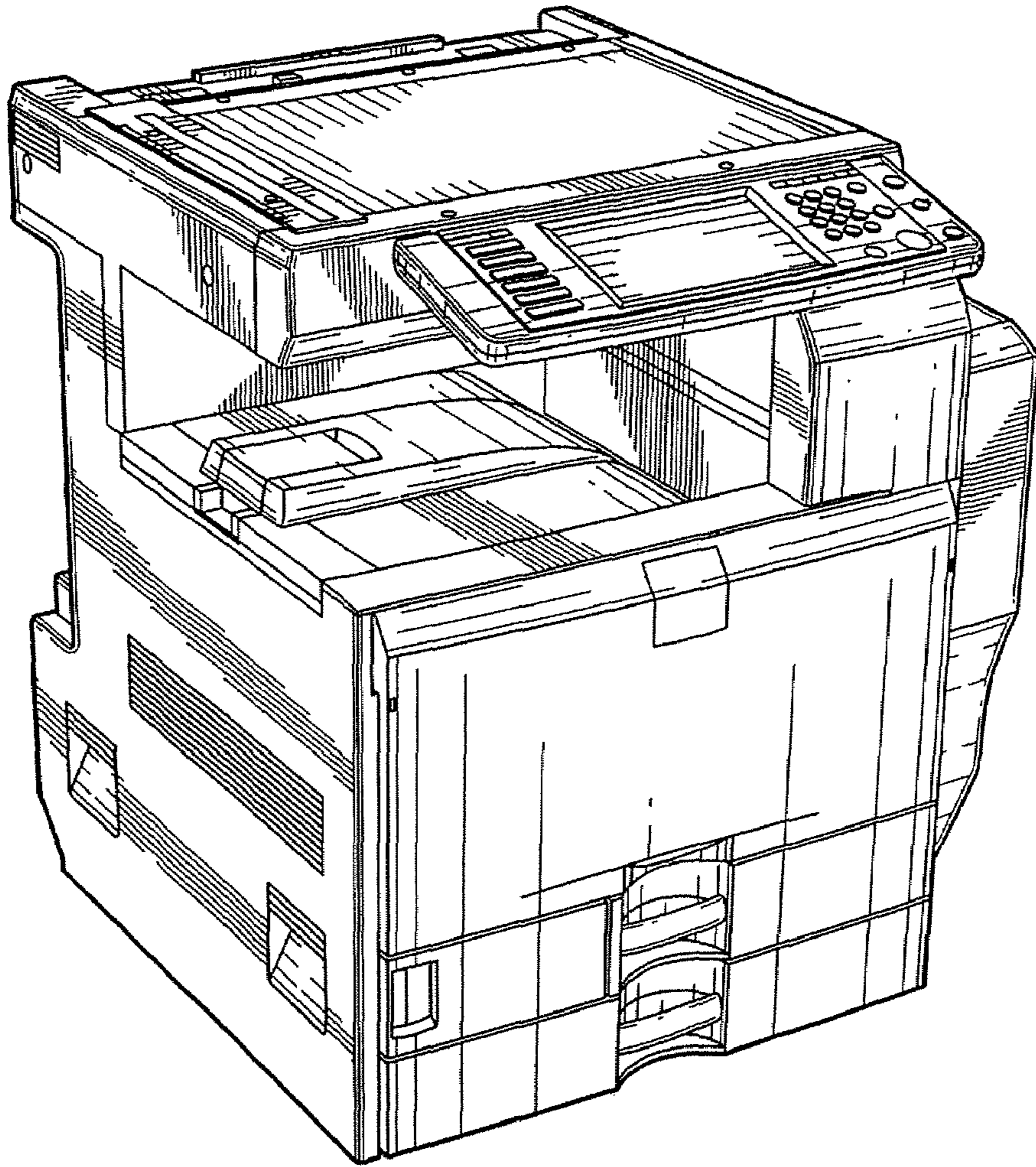


FIG.8