



US00D557726S

(12) **United States Design Patent**
Sumii

(10) **Patent No.:** **US D557,726 S**

(45) **Date of Patent:** **** Dec. 18, 2007**

(54) **PROJECTOR**

D506,771 S * 6/2005 Ooshima et al. D16/230

(75) Inventor: **Tetsu Sumii**, Tokyo (JP)

(73) Assignee: **Sony Corporation**, Tokyo (JP)

(**) Term: **14 Years**

(21) Appl. No.: **29/237,842**

(22) Filed: **Sep. 8, 2005**

OTHER PUBLICATIONS

Web page "LP-XC10(S)" http://www.yodobashi.com/enjoy/more/i/cat_38974453_8786522_4369326_15134406/15045776.html, 1 sheet, Yodobashi Camera (Jul. 2004).

* cited by examiner

Primary Examiner—Ian Simmons

Assistant Examiner—Wan Laymon

(74) *Attorney, Agent, or Firm*—Rader, Fishman, Grauer, PLLC

(30) **Foreign Application Priority Data**

May 18, 2005 (JP) D2005-014163

(51) **LOC (8) Cl.** **16-02**

(52) **U.S. Cl.** **D16/230; D16/225**

(58) **Field of Classification Search** D16/205,
D16/208, 213, 221, 225, 230, 231, 234, 235;
D21/514; 353/115, 119, 122, 39; 352/34,
352/242; 349/5, 7, 8, 9

See application file for complete search history.

(56) **References Cited**

U.S. PATENT DOCUMENTS

- D467,604 S 12/2002 Niitsu
- D482,716 S * 11/2003 Azuma et al. D16/230
- D492,339 S 6/2004 Niitsu
- D497,929 S * 11/2004 Ohki et al. D16/230
- D500,070 S * 12/2004 Yamaguchi et al. D16/230

(57) **CLAIM**

The ornamental design for a projector, as shown and described.

DESCRIPTION

FIG. 1 is a perspective view of a projector showing my new design;

FIG. 2 is a front elevational view thereof;

FIG. 3 is a rear elevational view thereof;

FIG. 4 is a left side elevational view thereof;

FIG. 5 is a right side elevational view thereof;

FIG. 6 is a top plan view thereof; and,

FIG. 7 is a bottom plan view thereof.

The broken lines in FIG. 4 is for illustrative purposes only and form no part of the claimed design.

1 Claim, 7 Drawing Sheets

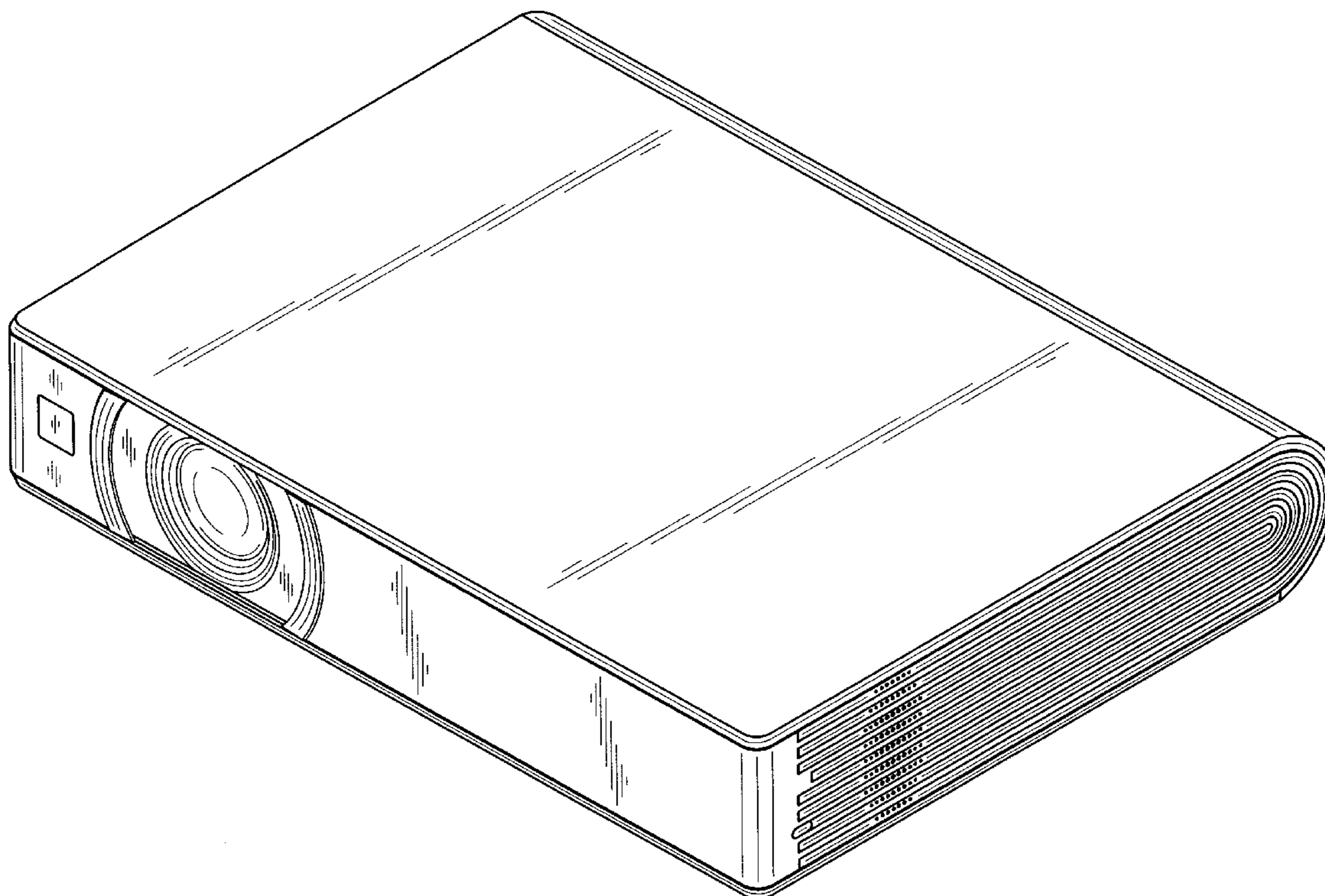
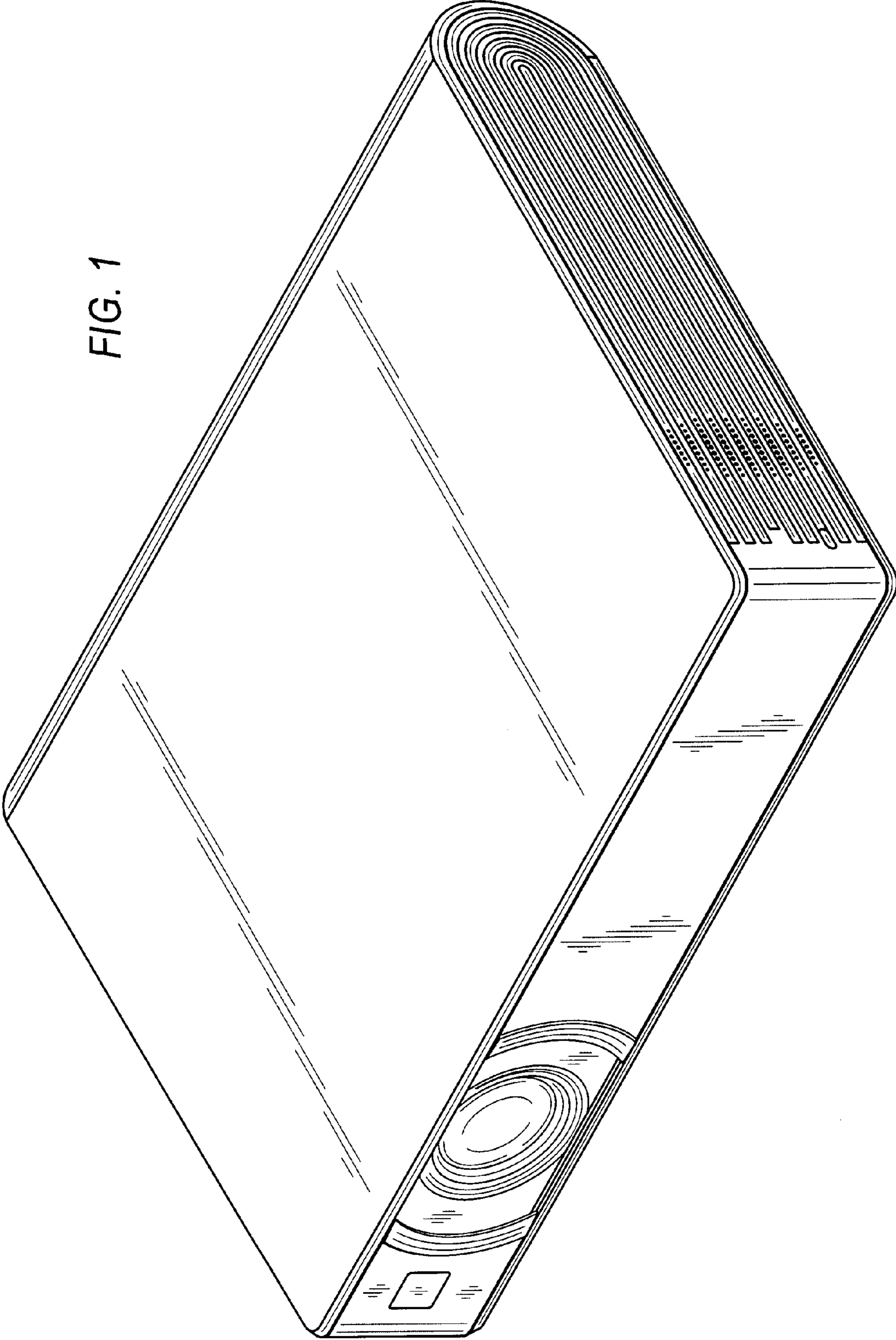


FIG. 1



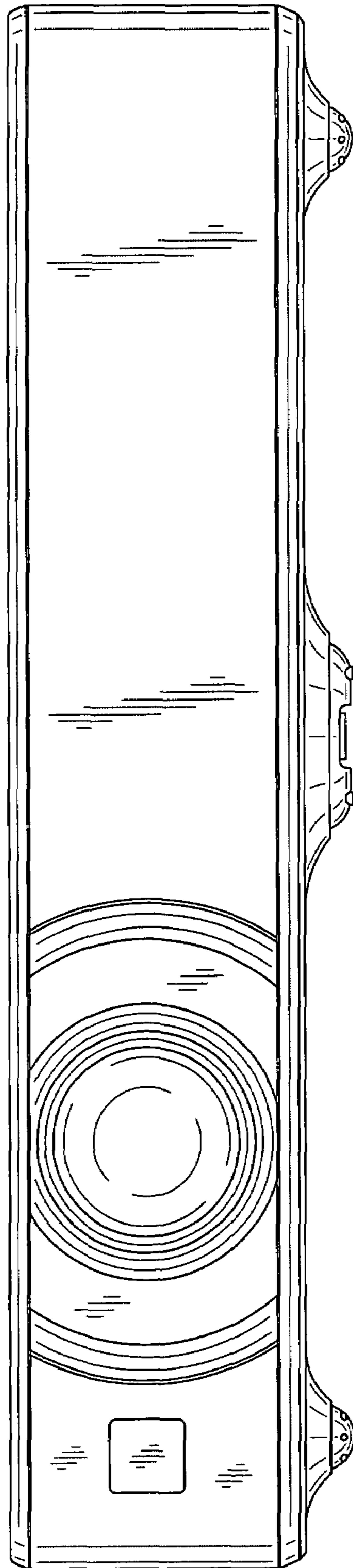


FIG. 2



FIG. 3

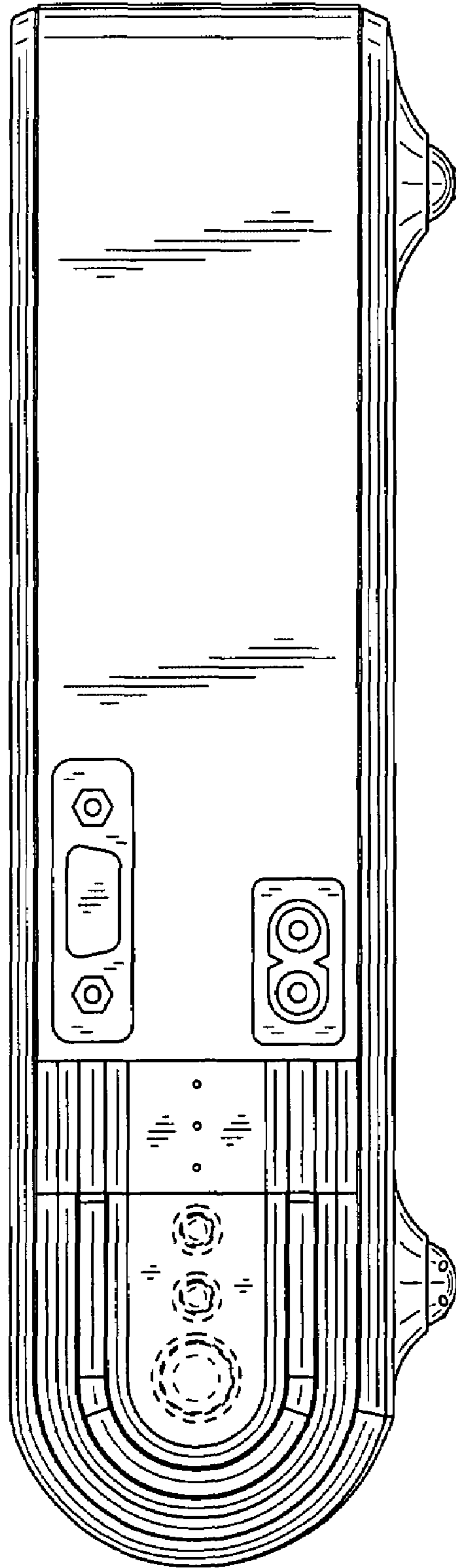


FIG. 4

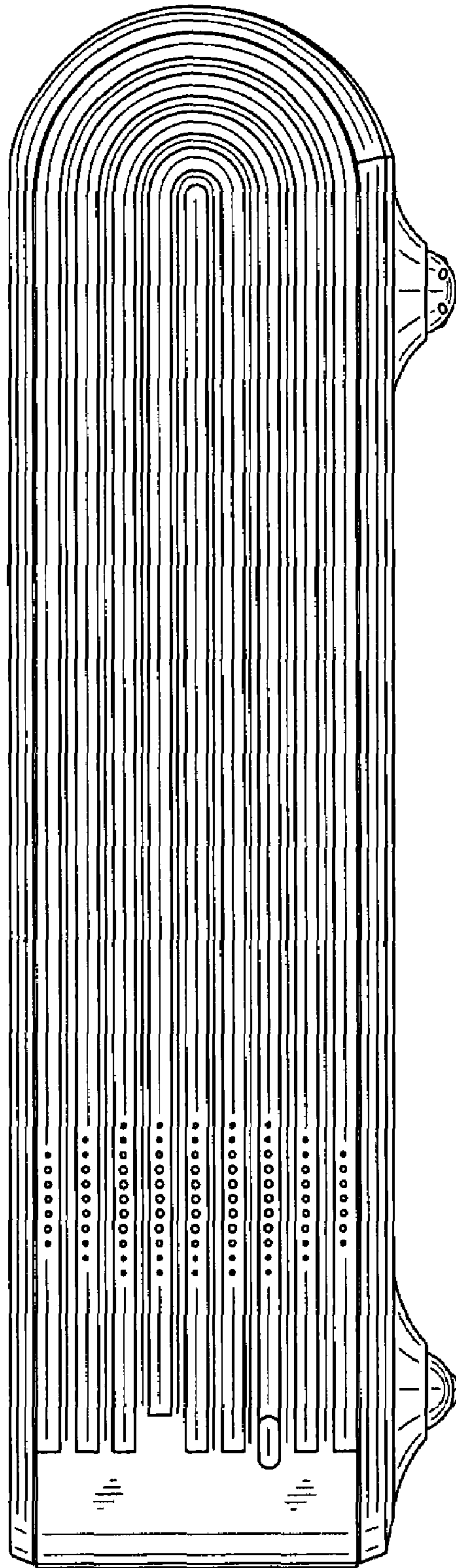


FIG. 5

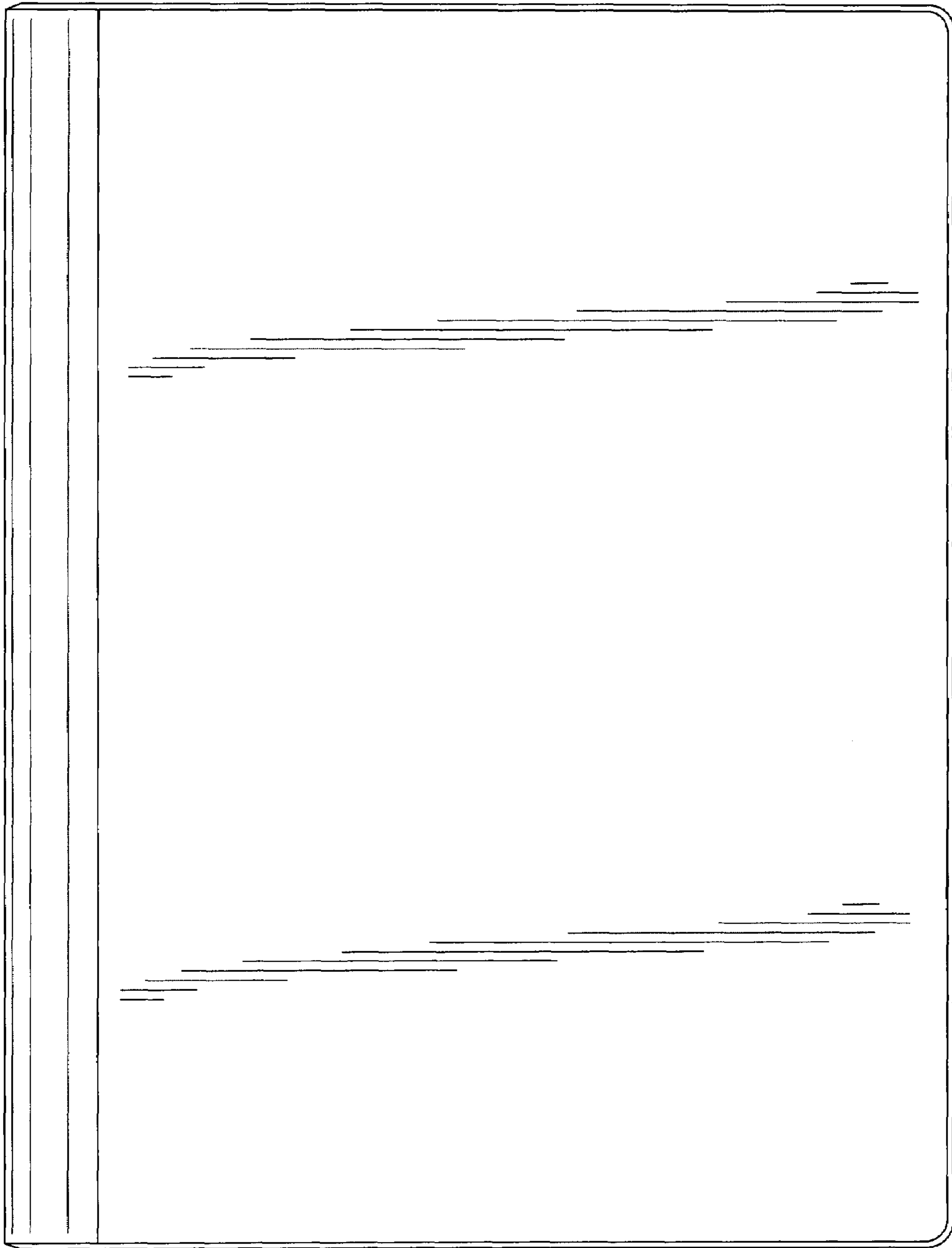


FIG. 6

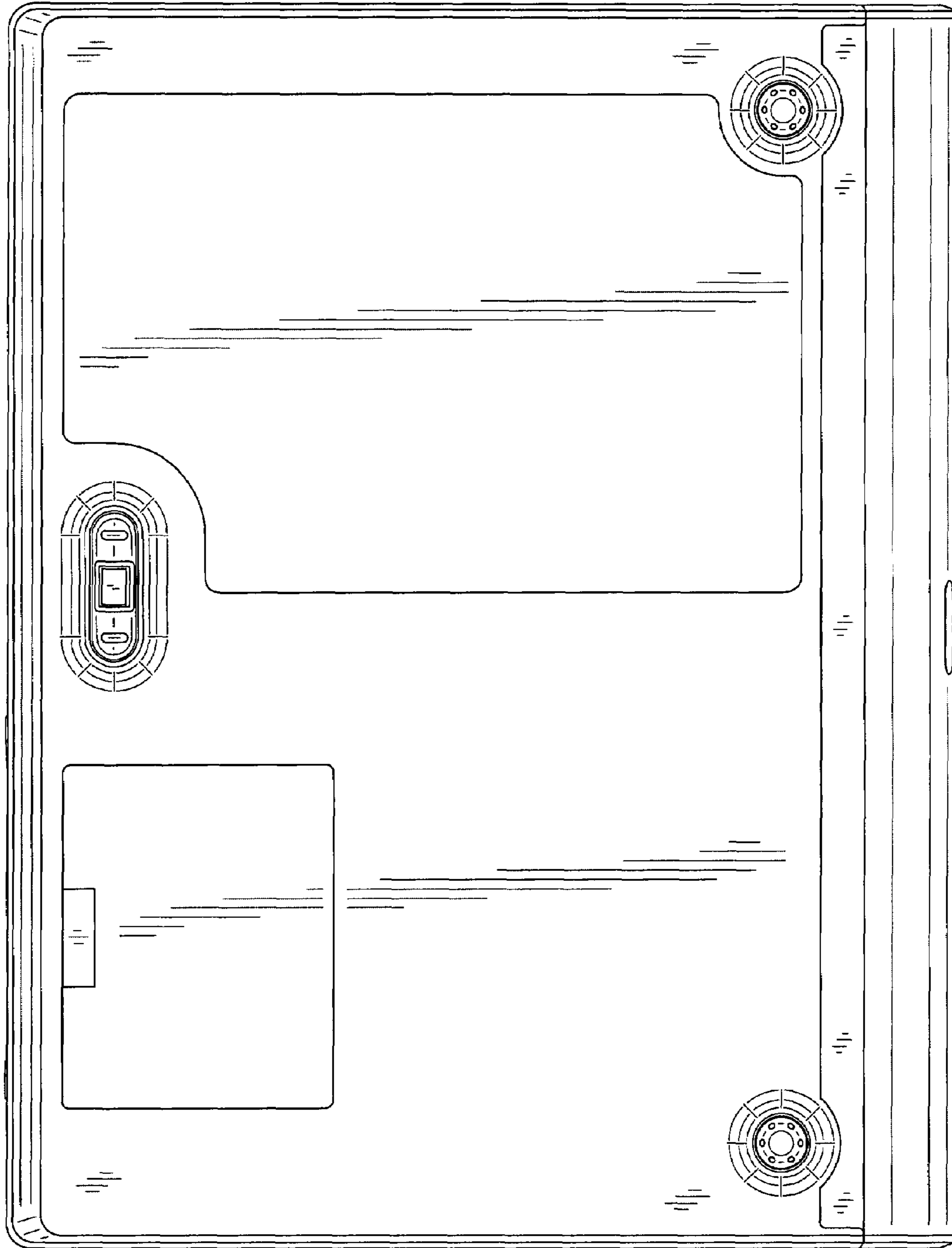


FIG. 7