



US00D557724S

(12) **United States Design Patent**  
**Katayama**

(10) **Patent No.:** **US D557,724 S**

(45) **Date of Patent:** **\*\* Dec. 18, 2007**

(54) **ELECTRONIC CAMERA**

D543,227 S \* 5/2007 Hayashi ..... D16/219

(75) Inventor: **Noriko Katayama**, Tokyo (JP)

\* cited by examiner

(73) Assignee: **FUJIFILM Corporation**, Tokyo (JP)

*Primary Examiner*—Adir Aronovich  
(74) *Attorney, Agent, or Firm*—Young & Thompson

(\*\*) Term: **14 Years**

(57) **CLAIM**

(21) Appl. No.: **29/259,719**

The ornamental design for an electronic camera, as shown and described.

(22) Filed: **May 16, 2006**

(30) **Foreign Application Priority Data**

**DESCRIPTION**

Nov. 17, 2005 (JP) ..... 2005-033937

FIG. 1 is a top, front and side perspective view of an electronic camera showing my new design;

(51) **LOC (8) Cl.** ..... **16-05**

FIG. 2 is a front elevational view thereof;

(52) **U.S. Cl.** ..... **D16/219; D16/202**

FIG. 3 is a rear elevational view thereof;

(58) **Field of Classification Search** ..... D16/200–204,

FIG. 4 is a top plan view thereof;

D16/208, 209, 218, 219; 348/373–376; 358/909.1;

FIG. 5 is a bottom plan view thereof;

396/6, 535, 536–541

FIG. 6 is a side elevational view thereof from the left of FIG. 2; and,

See application file for complete search history.

FIG. 7 is a side elevational view thereof from the right of FIG. 2.

(56) **References Cited**

The portions of the camera in broken lines are shown to illustrate environment only and form no part of the claimed design.

**U.S. PATENT DOCUMENTS**

D508,711 S	*	8/2005	Suzuki	.....	D16/202
D521,038 S	*	5/2006	Takagi	.....	D16/202
D521,043 S	*	5/2006	Takagi	.....	D16/218
D524,348 S	*	7/2006	Nagayama et al.	.....	D16/219
D532,029 S	*	11/2006	Kim	.....	D16/202
D532,810 S	*	11/2006	Kim	.....	D16/219

**1 Claim, 4 Drawing Sheets**

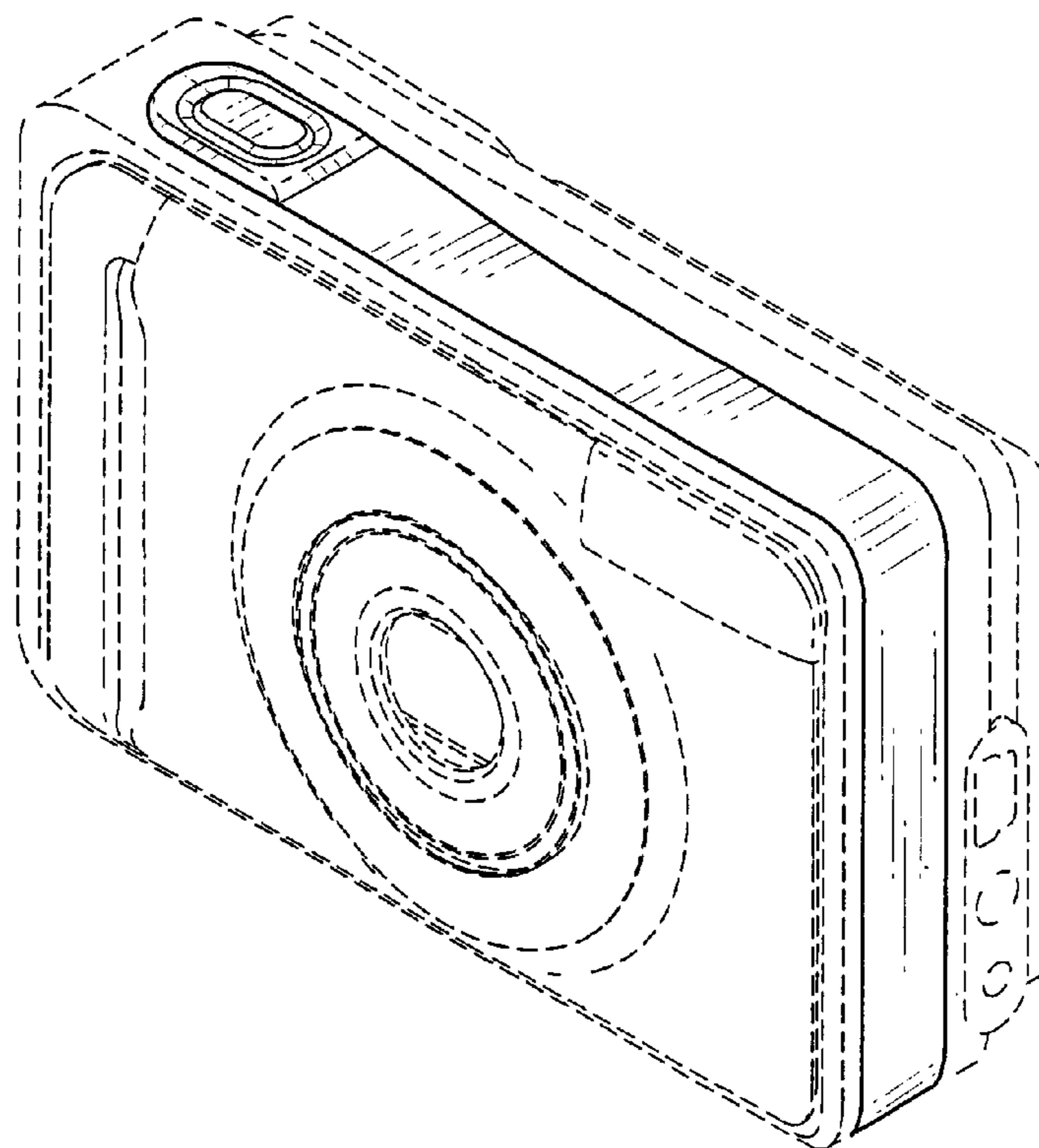


FIG.1

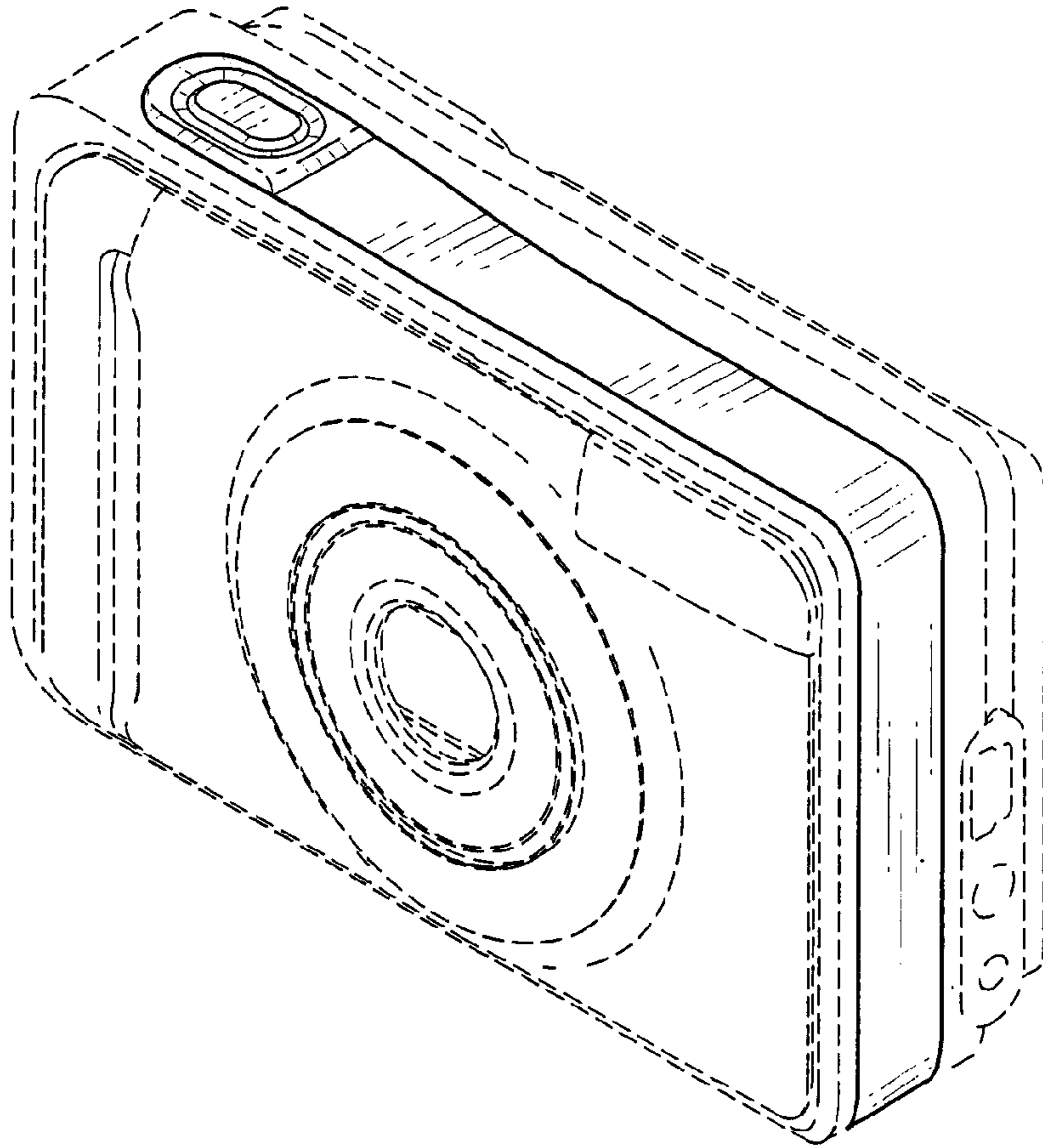


FIG.2

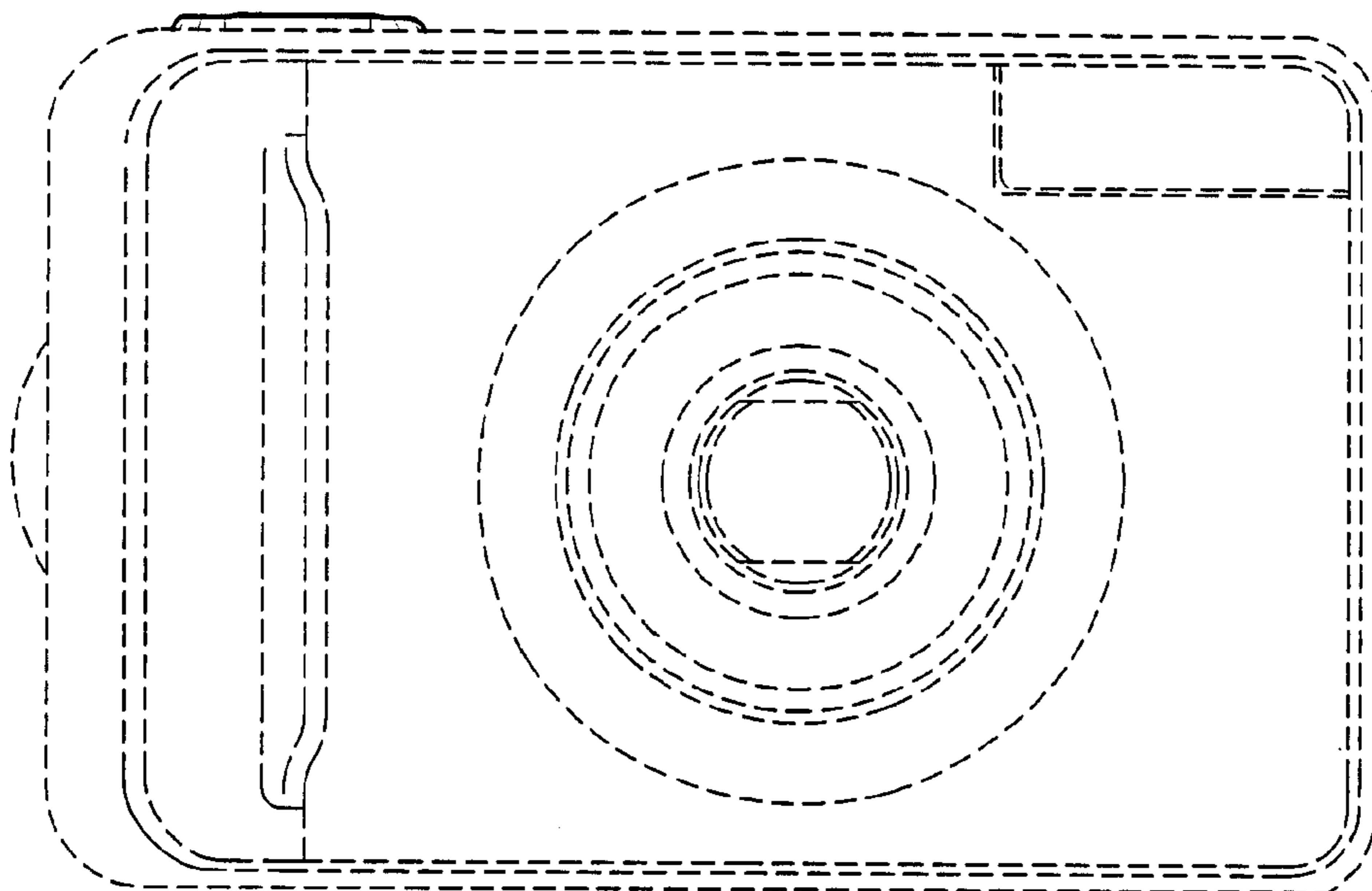


FIG.3

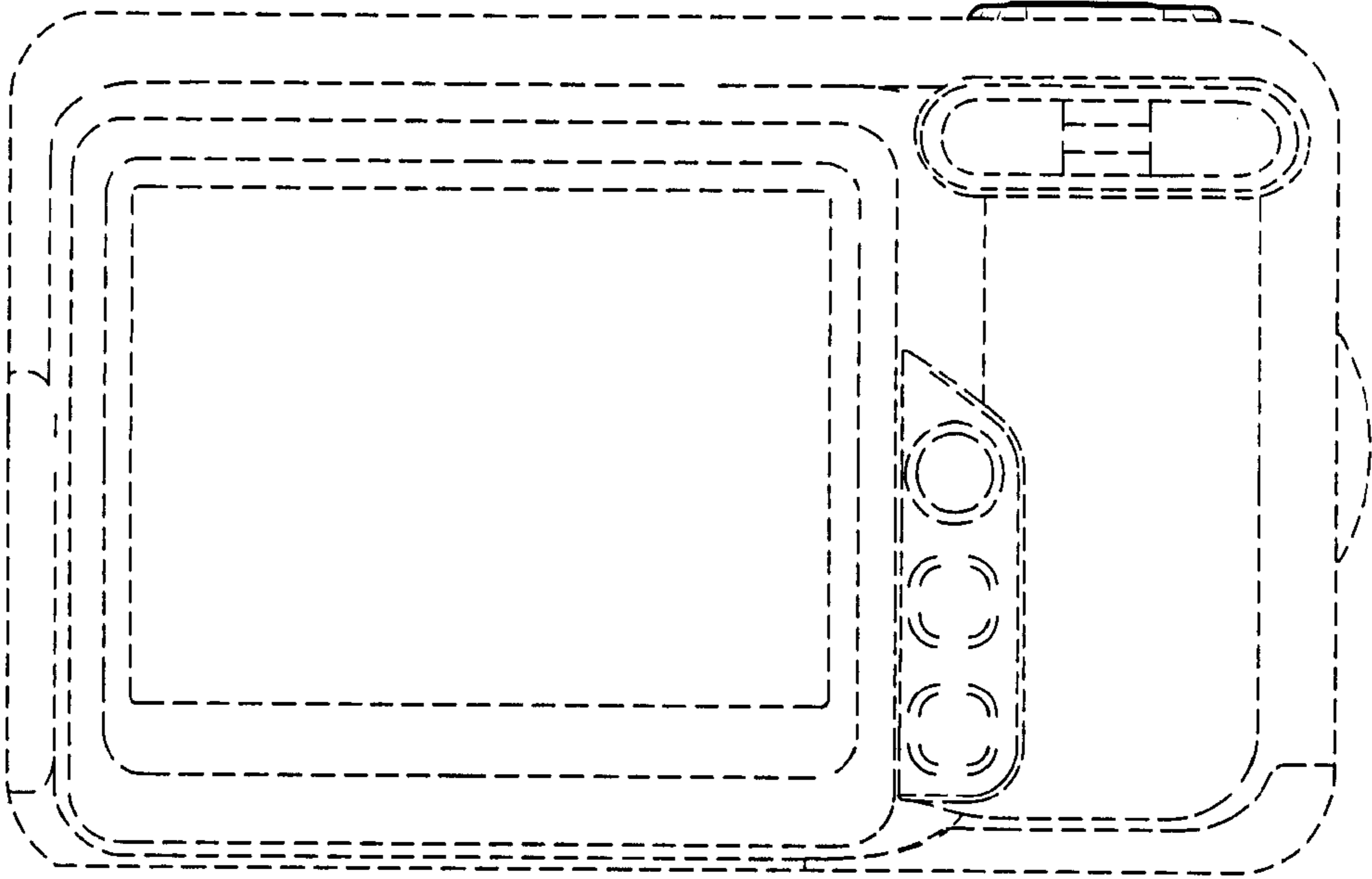


FIG.4

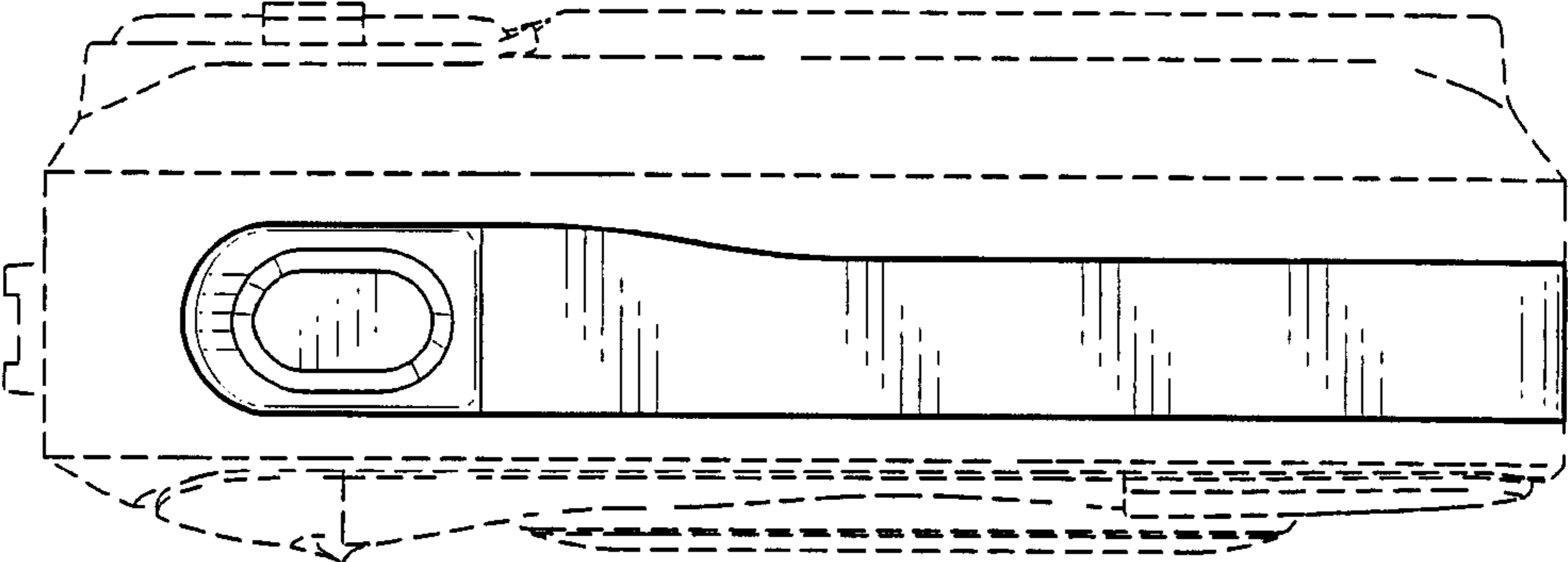


FIG.5

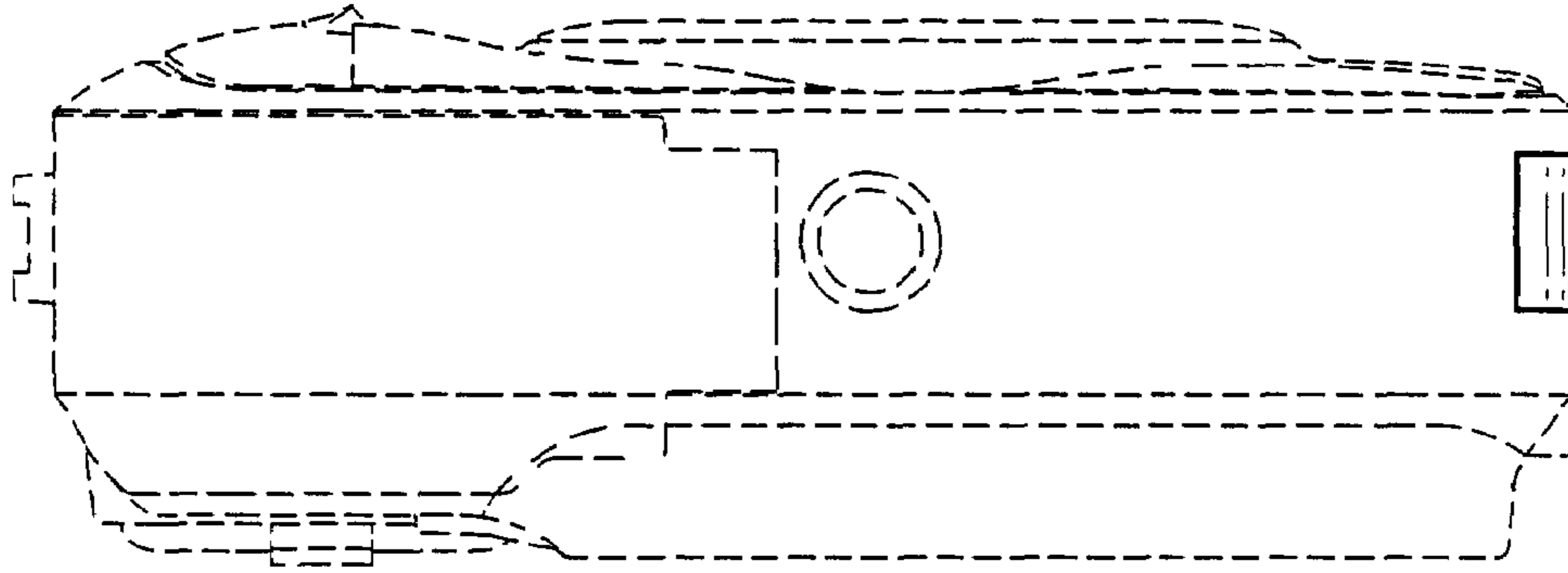


FIG.6

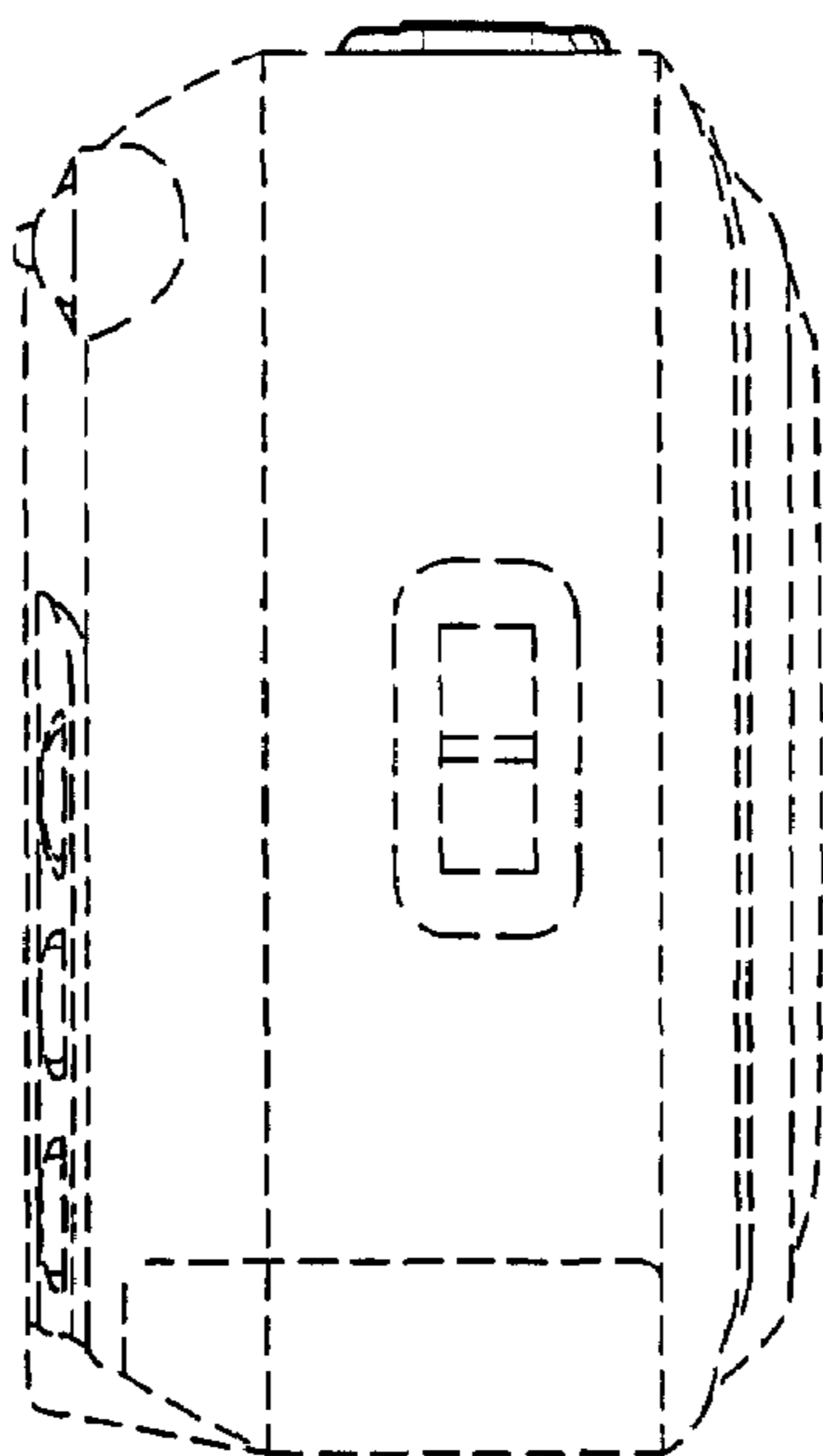


FIG. 7

