



US00D557722S

(12) **United States Design Patent**  
**Horiki et al.**

(10) **Patent No.:** **US D557,722 S**

(45) **Date of Patent:** **\*\* Dec. 18, 2007**

(54) **DIGITAL STILL CAMERA**

(75) Inventors: **Toshio Horiki**, Kadoma (JP); **Makoto Nakamura**, Kadoma (JP)

(73) Assignee: **Matsushita Electric Industrial Co., Ltd.**, Osaka (JP)

(\*\*) Term: **14 Years**

(21) Appl. No.: **29/261,827**

(22) Filed: **Jun. 20, 2006**

(30) **Foreign Application Priority Data**

Dec. 20, 2005 (JP) ..... 2005-037383

(51) **LOC (8) Cl.** ..... **16-01**

(52) **U.S. Cl.** ..... **D16/202**

(58) **Field of Classification Search** ..... D16/200-204,  
D16/208, 209, 218; 348/373-376; 358/909.1;  
396/535-541

See application file for complete search history.

(56) **References Cited**

**U.S. PATENT DOCUMENTS**

- 4,943,822 A \* 7/1990 von Braunhut ..... 396/373
- D445,440 S 7/2001 Chen
- D447,759 S 9/2001 Jin
- D470,162 S 2/2003 Nakamura et al.
- D479,547 S 9/2003 Nagayama
- D484,157 S 12/2003 Watanabe et al.
- D496,380 S \* 9/2004 Isomoto ..... D16/202

- D516,599 S \* 3/2006 Nakamura ..... D16/202
- D533,574 S \* 12/2006 Hamamura ..... D16/202
- D534,564 S \* 1/2007 Tainaka ..... D16/202
- D535,314 S \* 1/2007 Chang ..... D16/202
- D537,093 S \* 2/2007 Nakamura ..... D16/202

**OTHER PUBLICATIONS**

Matsushita Electric Industrial Co., Ltd., Global Catalog, Panasonic Digital Camera (DMC-FX7), 2005, 4 pages.

\* cited by examiner

*Primary Examiner*—Adir Aronovich

(74) *Attorney, Agent, or Firm*—Brinks Hofer Gilson & Lione

(57) **CLAIM**

We claim the ornamental design for a digital still camera, as shown and described.

**DESCRIPTION**

FIG. 1 is a top, front and right side perspective view of a digital still camera of the present invention;

FIG. 2 is a front view thereof;

FIG. 3 is a top view thereof;

FIG. 4 is a left side view thereof;

FIG. 5 is a right side view thereof;

FIG. 6 is a bottom view thereof; and,

FIG. 7 is a rear view thereof.

**1 Claim, 3 Drawing Sheets**

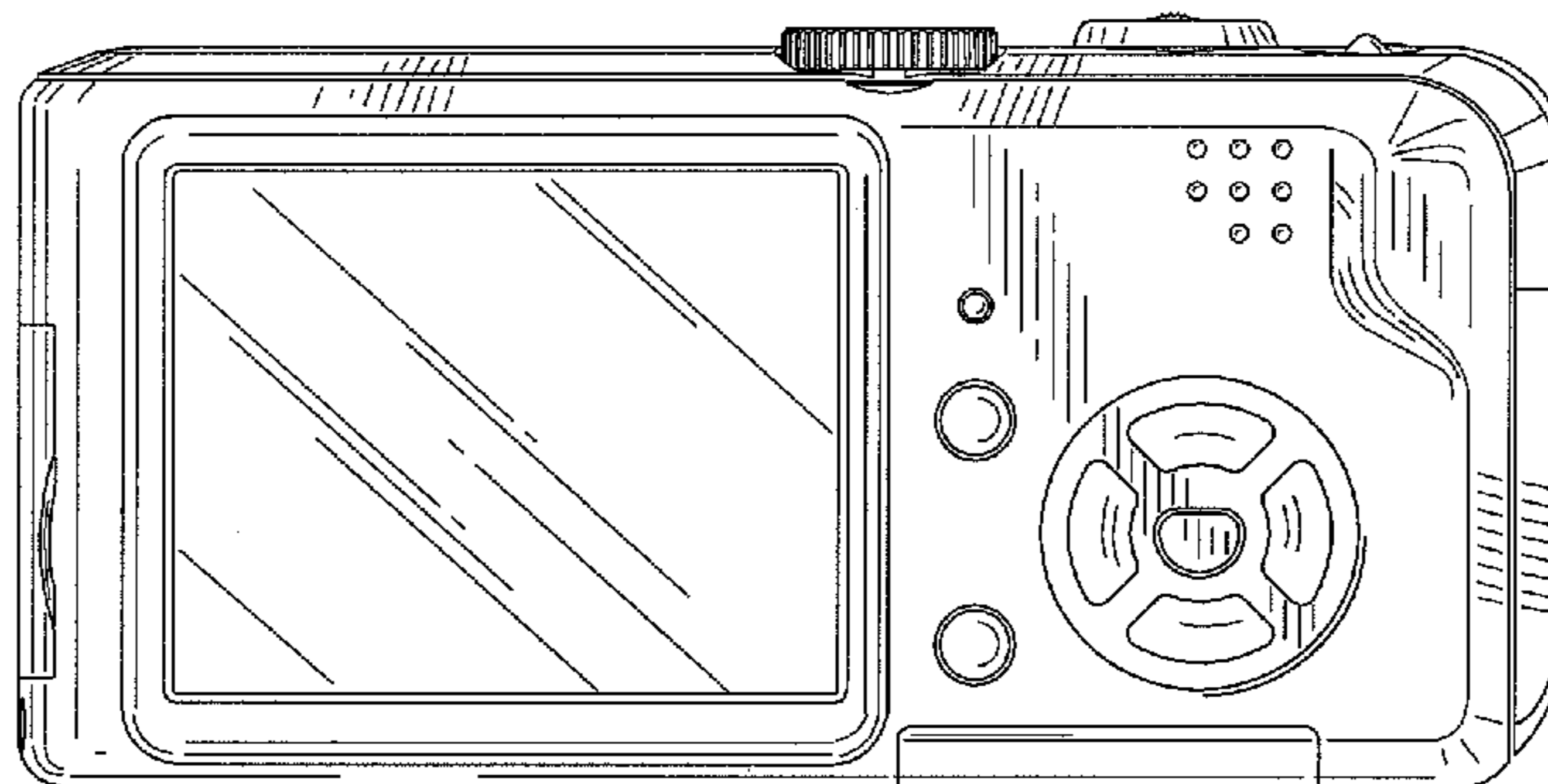
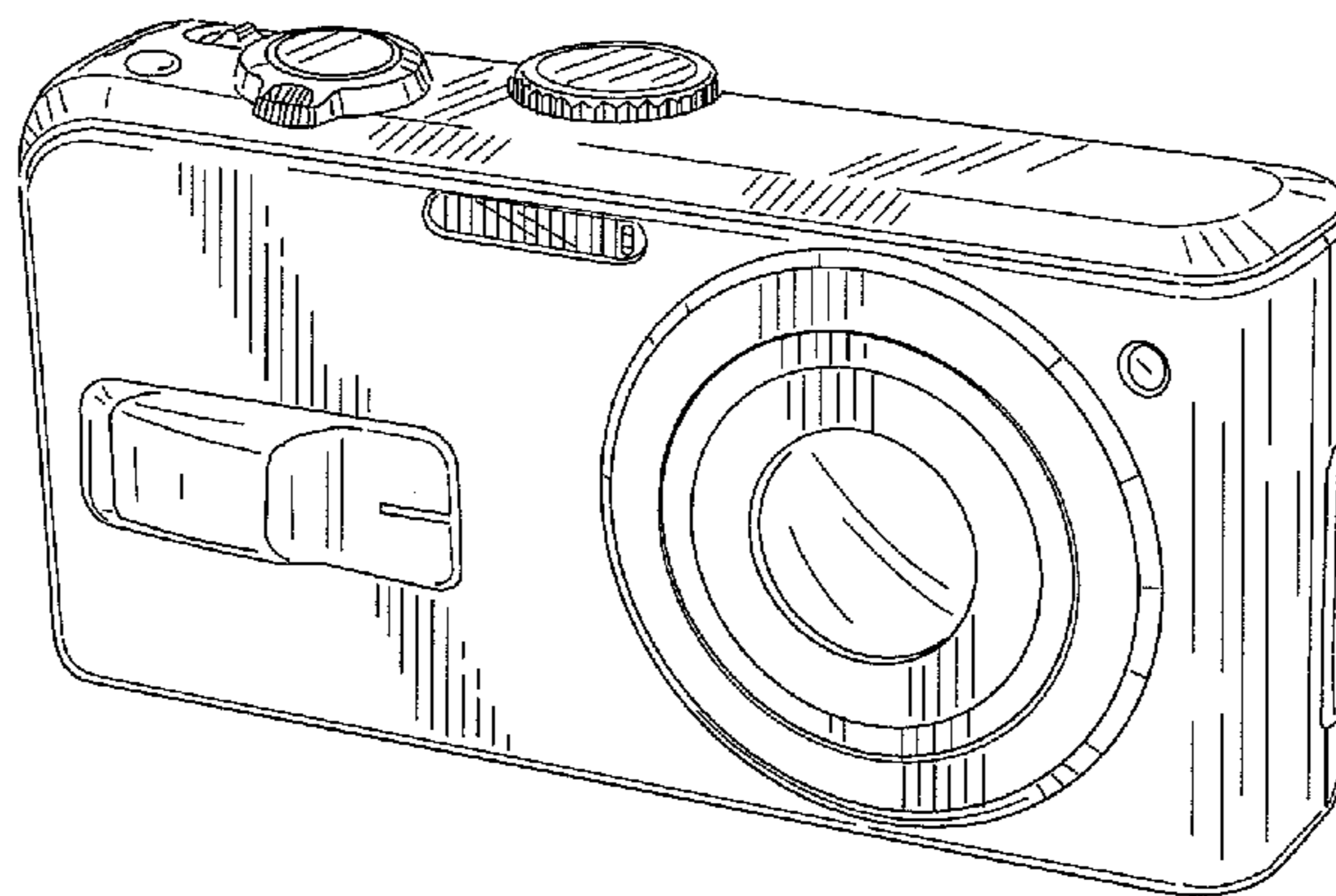


FIG. 1

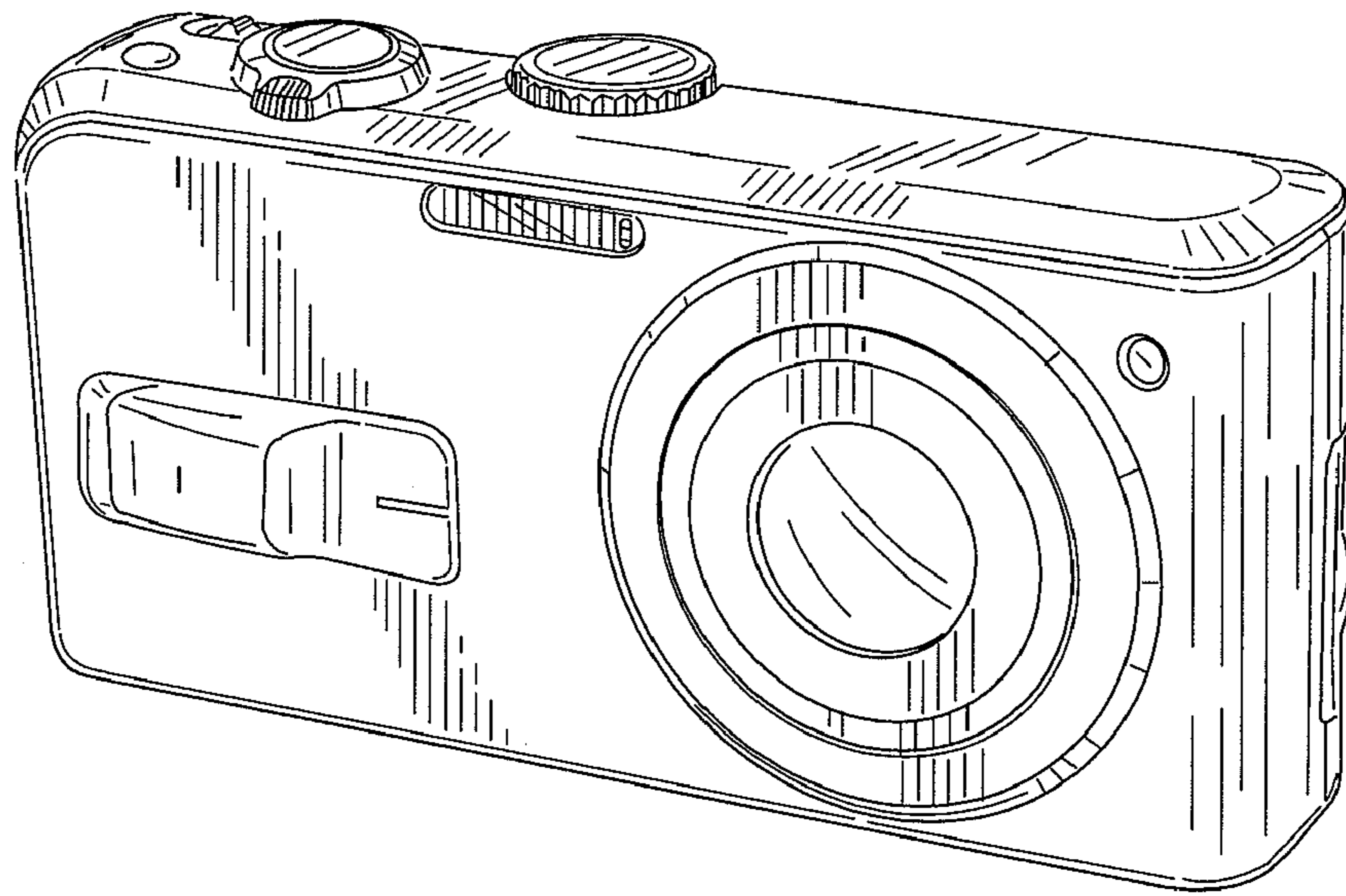


FIG. 2

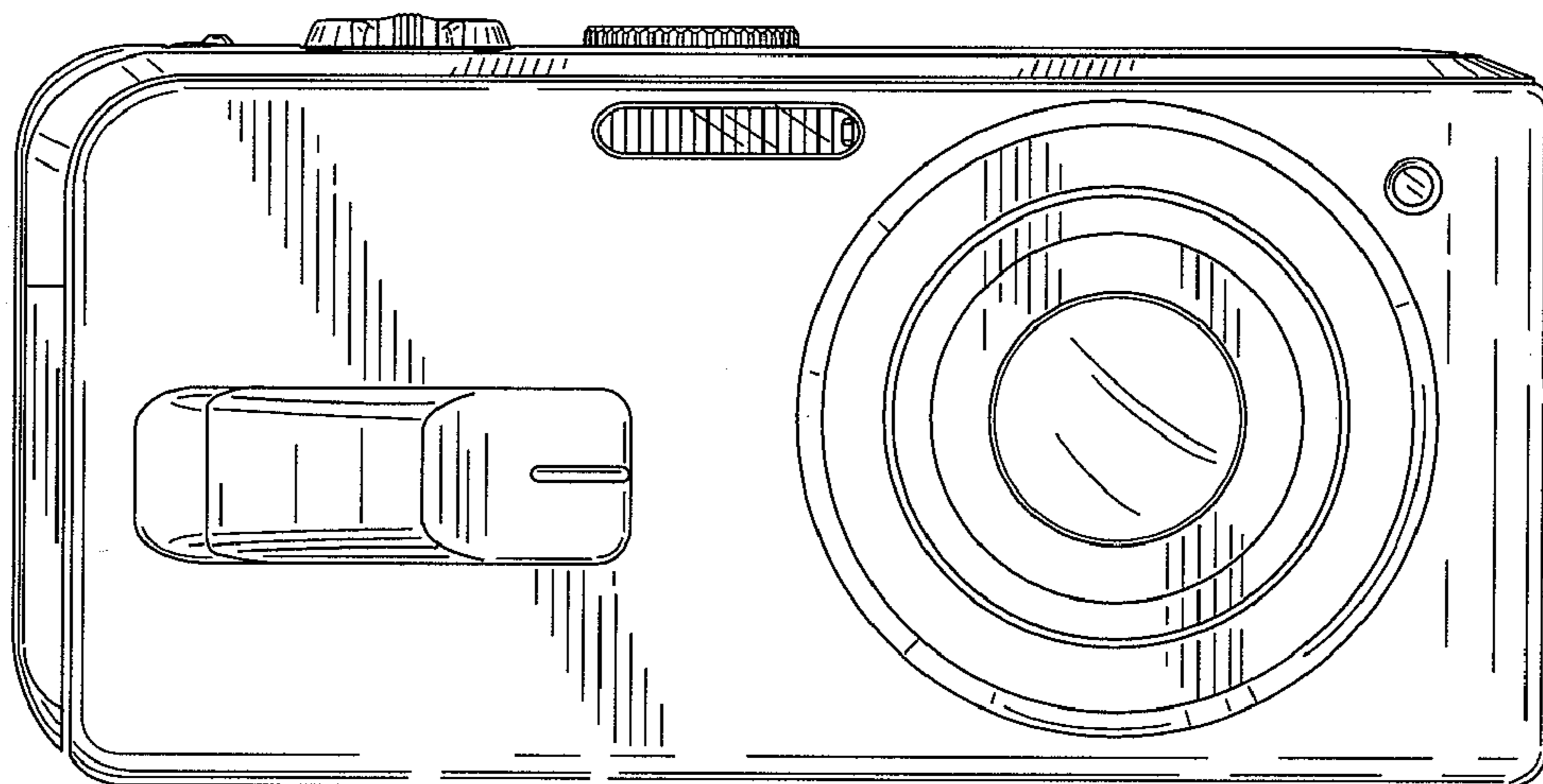


FIG.3

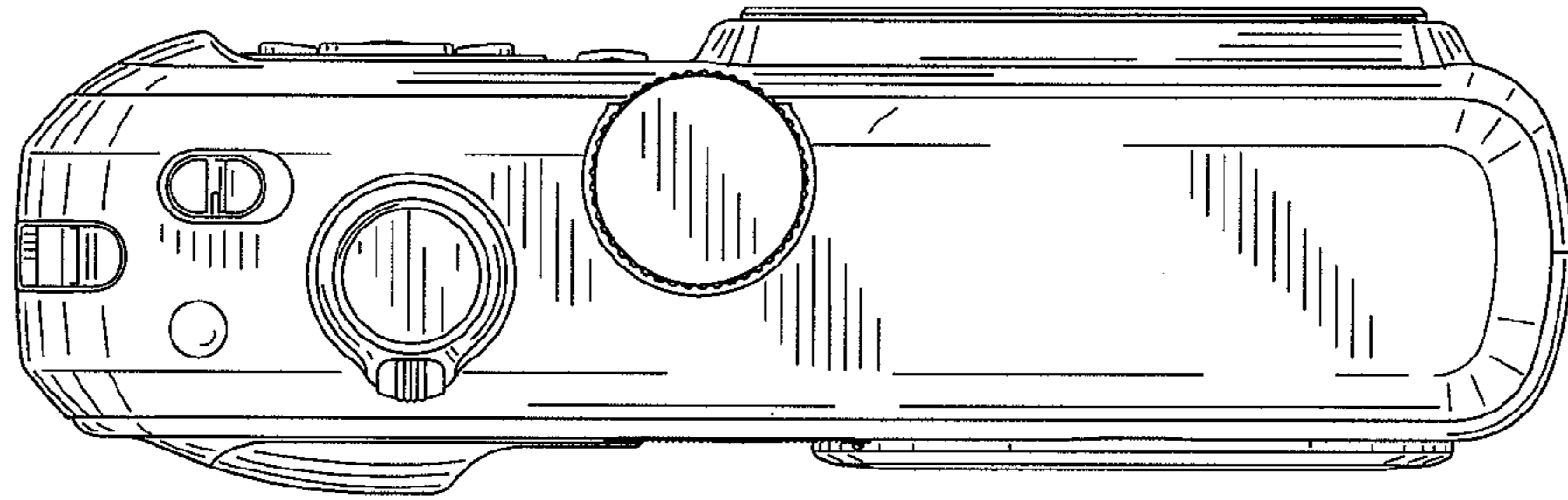


FIG.4

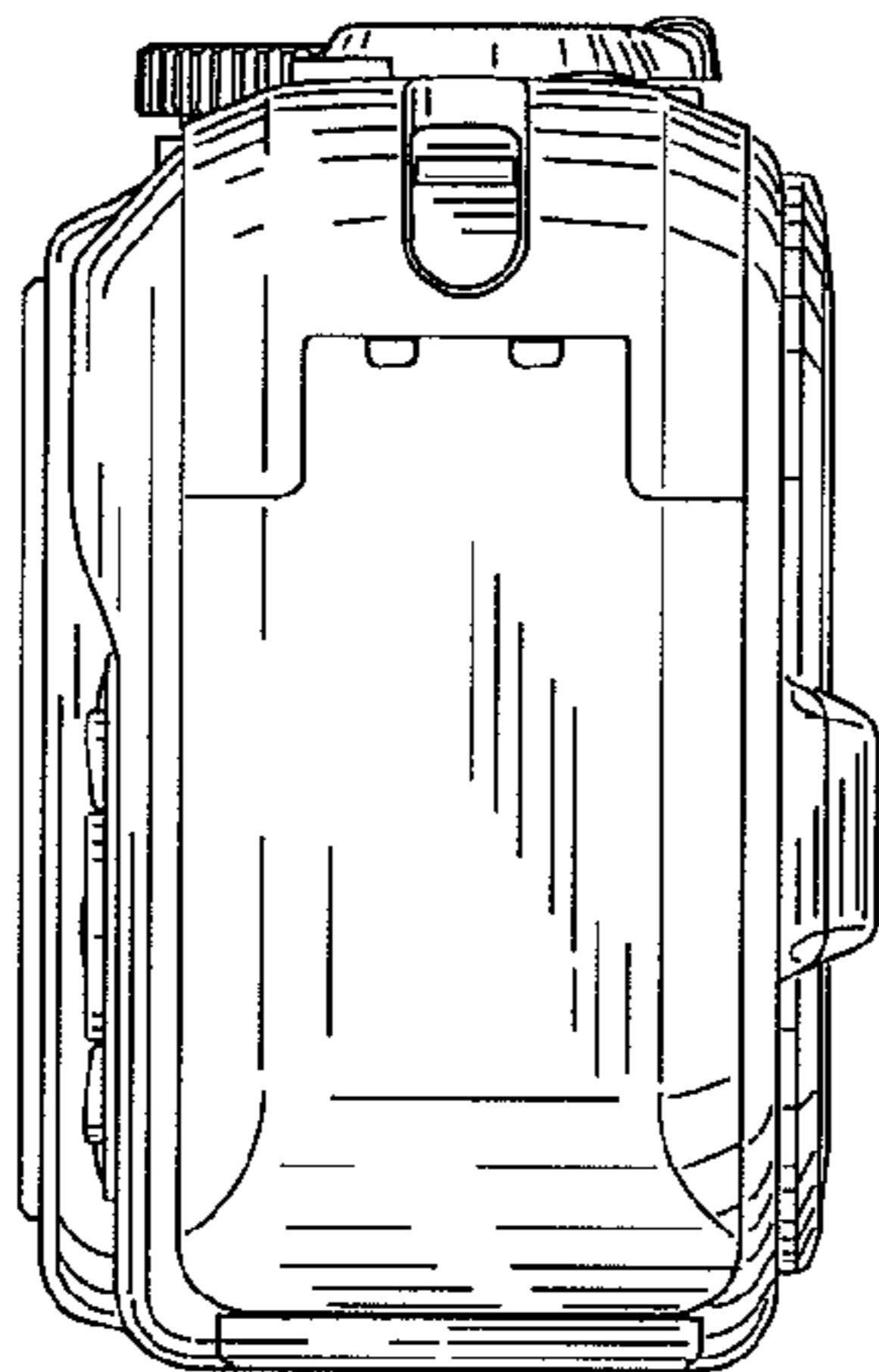


FIG.5

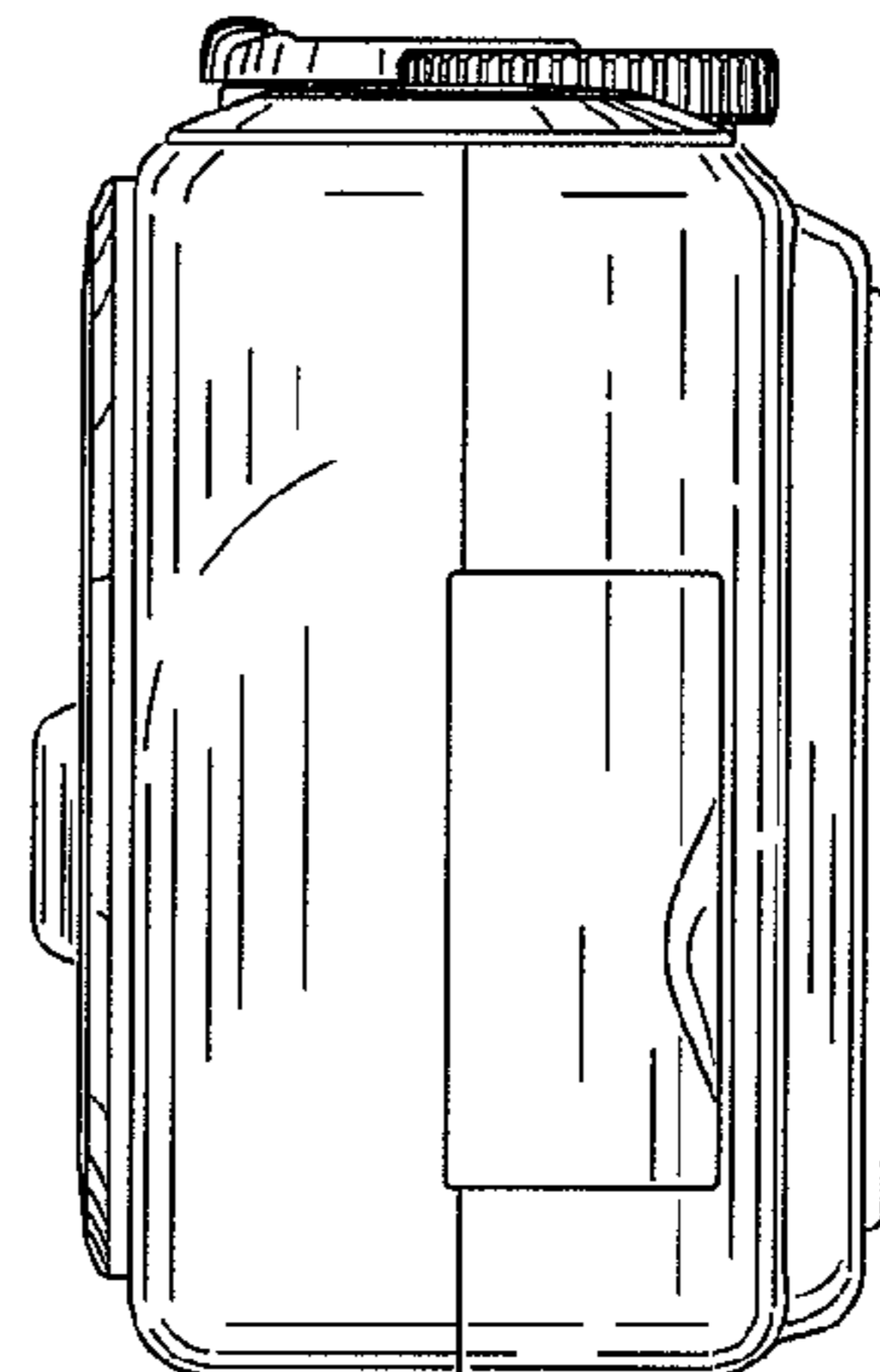


FIG.6

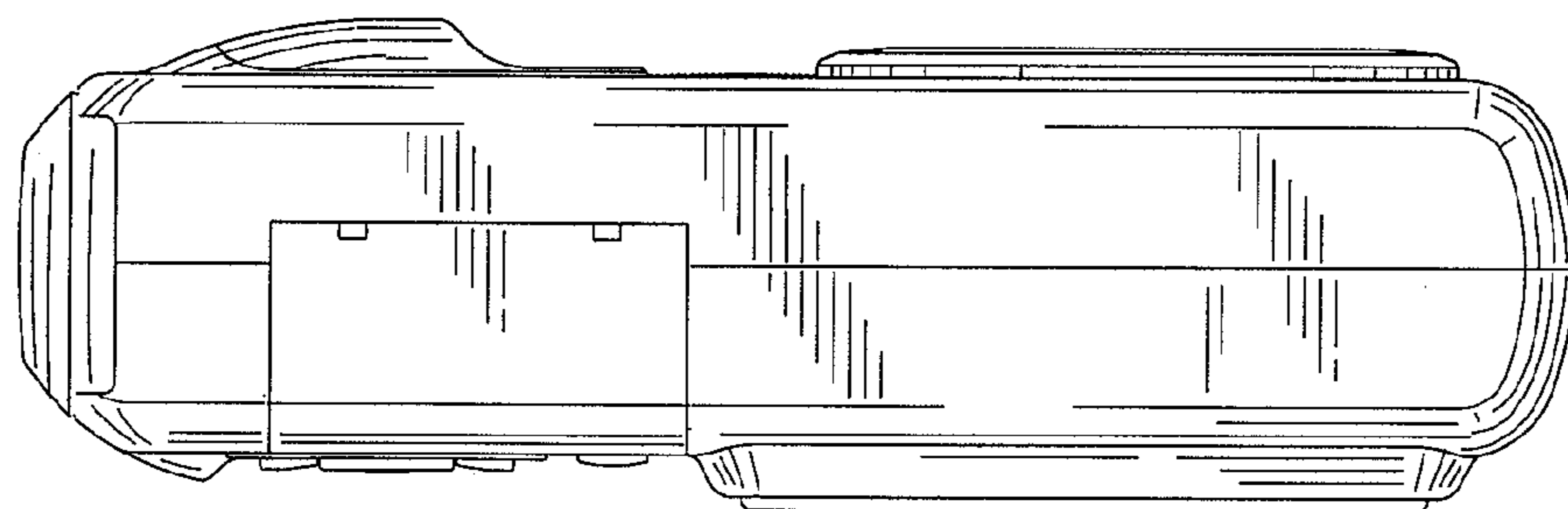


FIG.7

