



US00D557721S

(12) **United States Design Patent**
Miyashita

(10) **Patent No.:** **US D557,721 S**

(45) **Date of Patent:** **** Dec. 18, 2007**

(54) **VIDEO CAMERA**

(75) Inventor: **Shin Miyashita**, Tokyo (JP)

(73) Assignee: **Sony Corporation**, Tokyo (JP)

(**) Term: **14 Years**

(21) Appl. No.: **29/260,815**

(22) Filed: **Jun. 2, 2006**

(30) **Foreign Application Priority Data**

Dec. 27, 2005 (JP) 2005-038161

(51) **LOC (8) Cl.** **16-01**

(52) **U.S. Cl.** **D16/202**

(58) **Field of Classification Search** D16/200–206,
D16/208, 218; 348/373–376; 358/906;
396/535–541

See application file for complete search history.

(56) **References Cited**

U.S. PATENT DOCUMENTS

5,499,052 A * 3/1996 Nakanishi et al. 348/373
D423,541 S * 4/2000 Ohwada D16/202
D500,776 S * 1/2005 Miyashita D16/202

D534,565 S * 1/2007 Sadatsuki D16/202
D534,936 S * 1/2007 Sadatsuki D16/202
D542,317 S * 5/2007 Miyashita D16/202
2005/0140823 A1 * 6/2005 Ishikuro 348/375

* cited by examiner

Primary Examiner—Adir Aronovich

(74) *Attorney, Agent, or Firm*—Oblon, Spivak, McClelland,
Maier & Neustadt, P.C.

(57) **CLAIM**

The ornamental design for a video camera, as shown and described.

DESCRIPTION

FIG. 1 is a top and right front perspective view of a video camera, showing my design;

FIG. 2 is a front elevational view thereof;

FIG. 3 is a rear elevational view thereof;

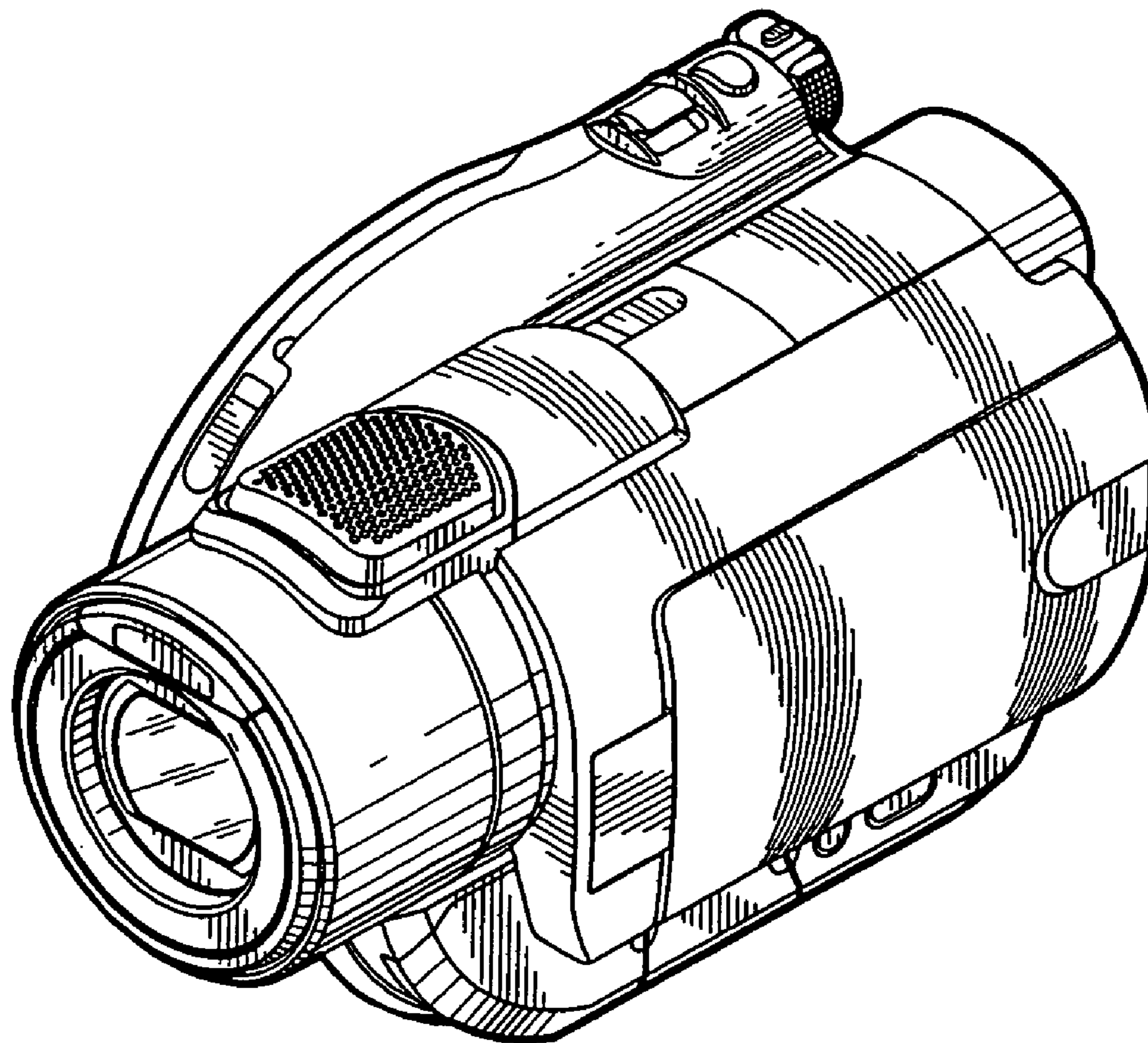
FIG. 4 is a left side elevational view thereof;

FIG. 5 is a right side elevational view thereof;

FIG. 6 is a top plan view thereof; and,

FIG. 7 is a bottom plan view thereof.

1 Claim, 4 Drawing Sheets



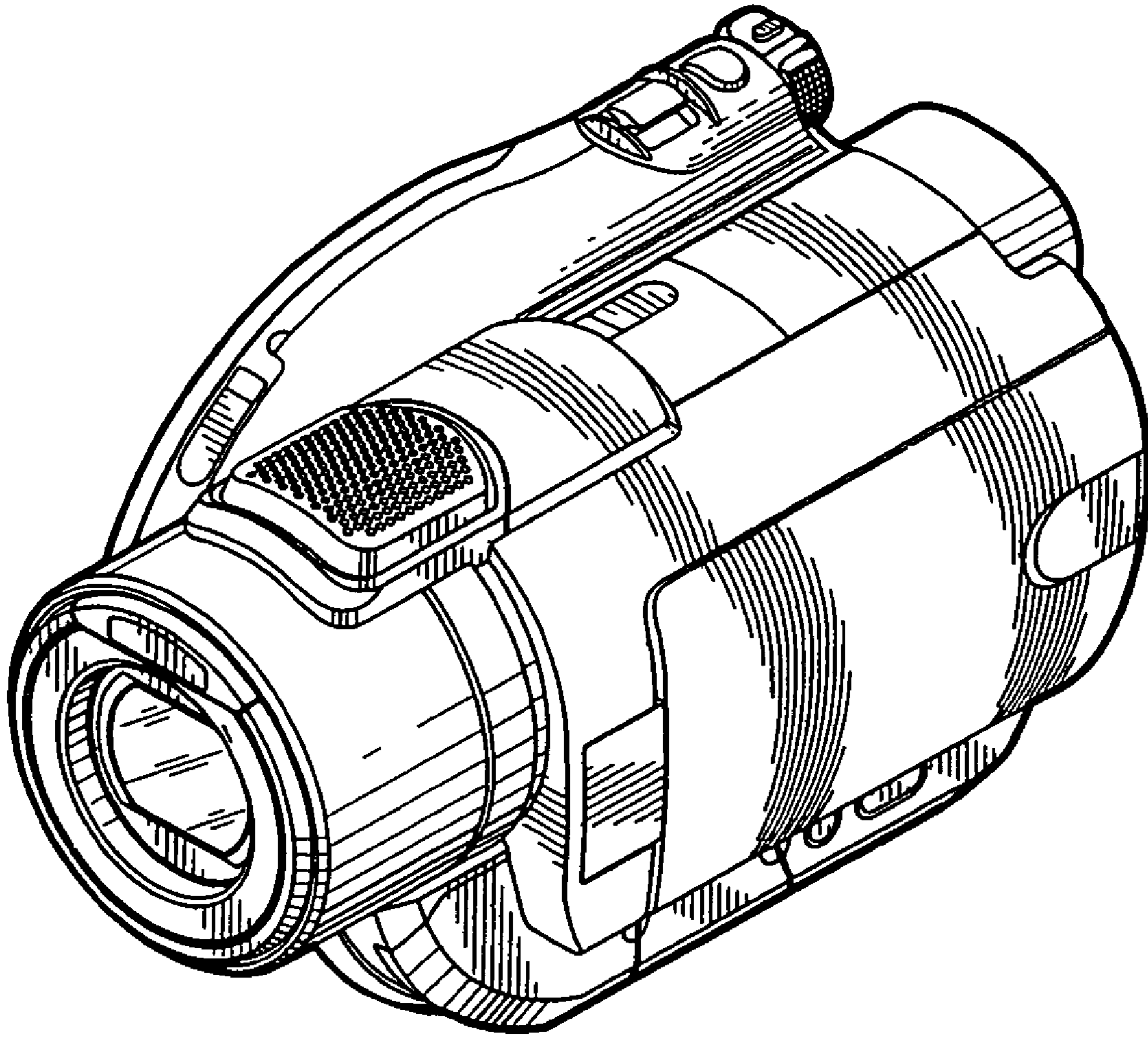


Fig. 1

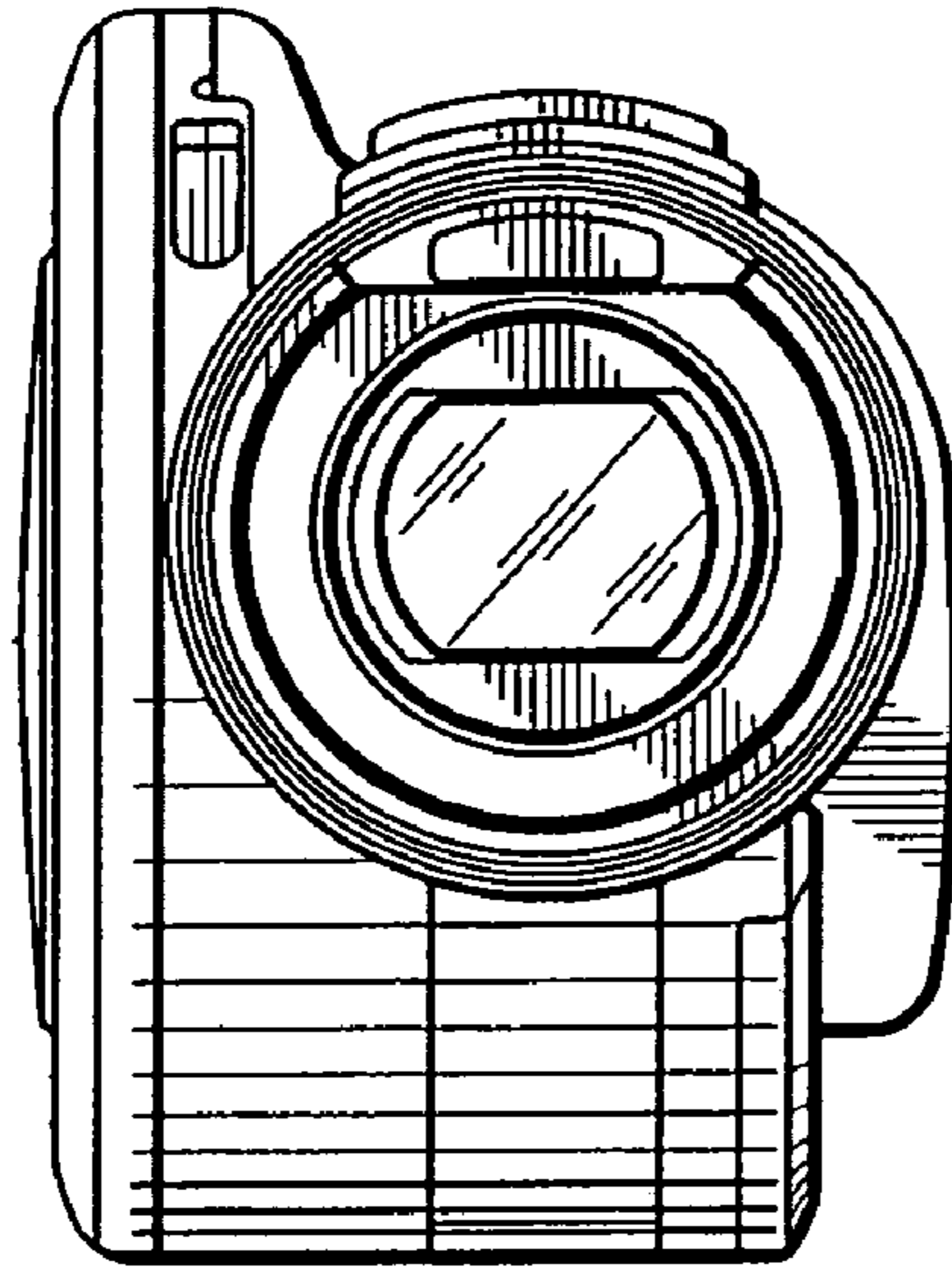


Fig. 2

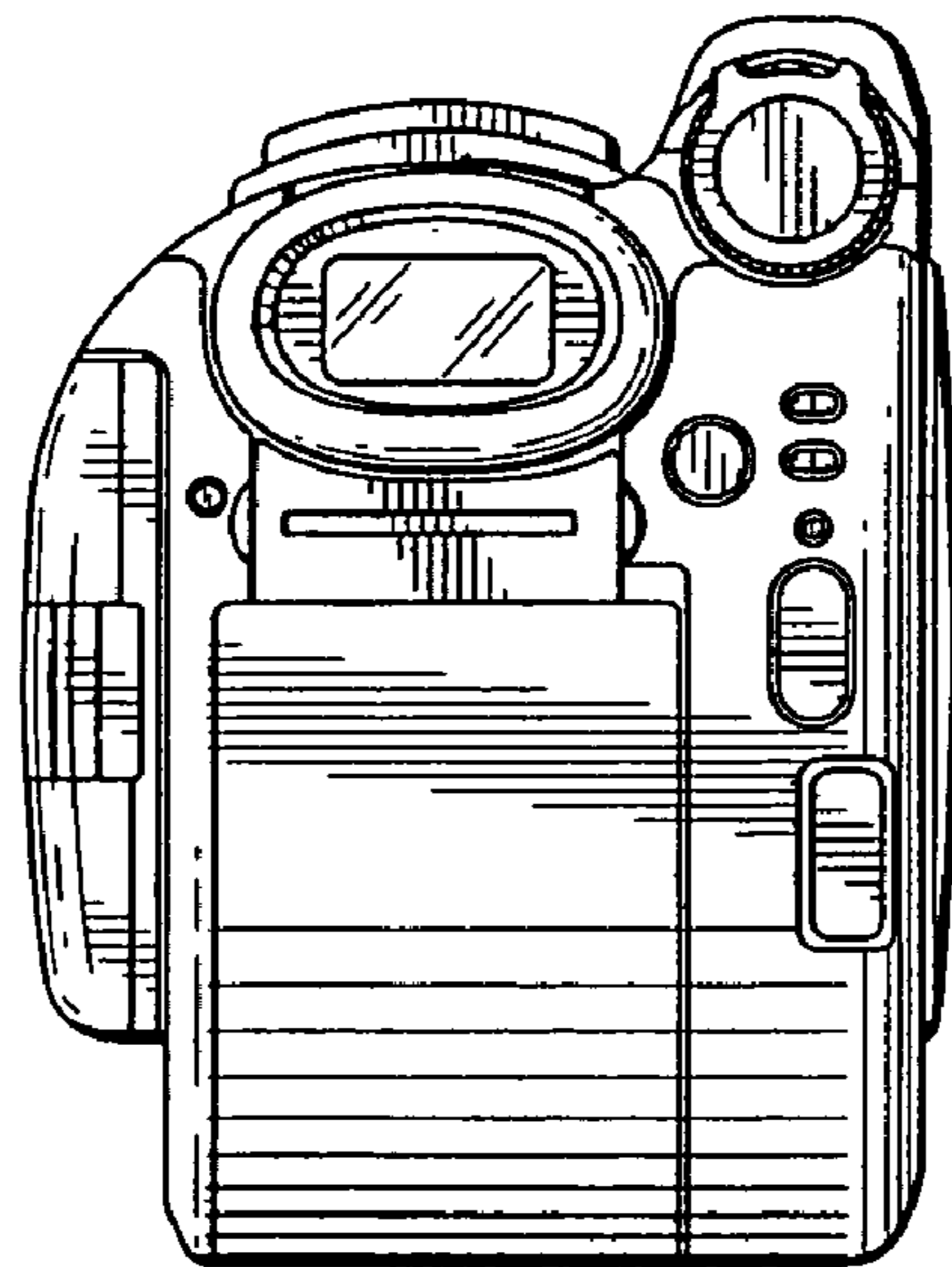


Fig. 3

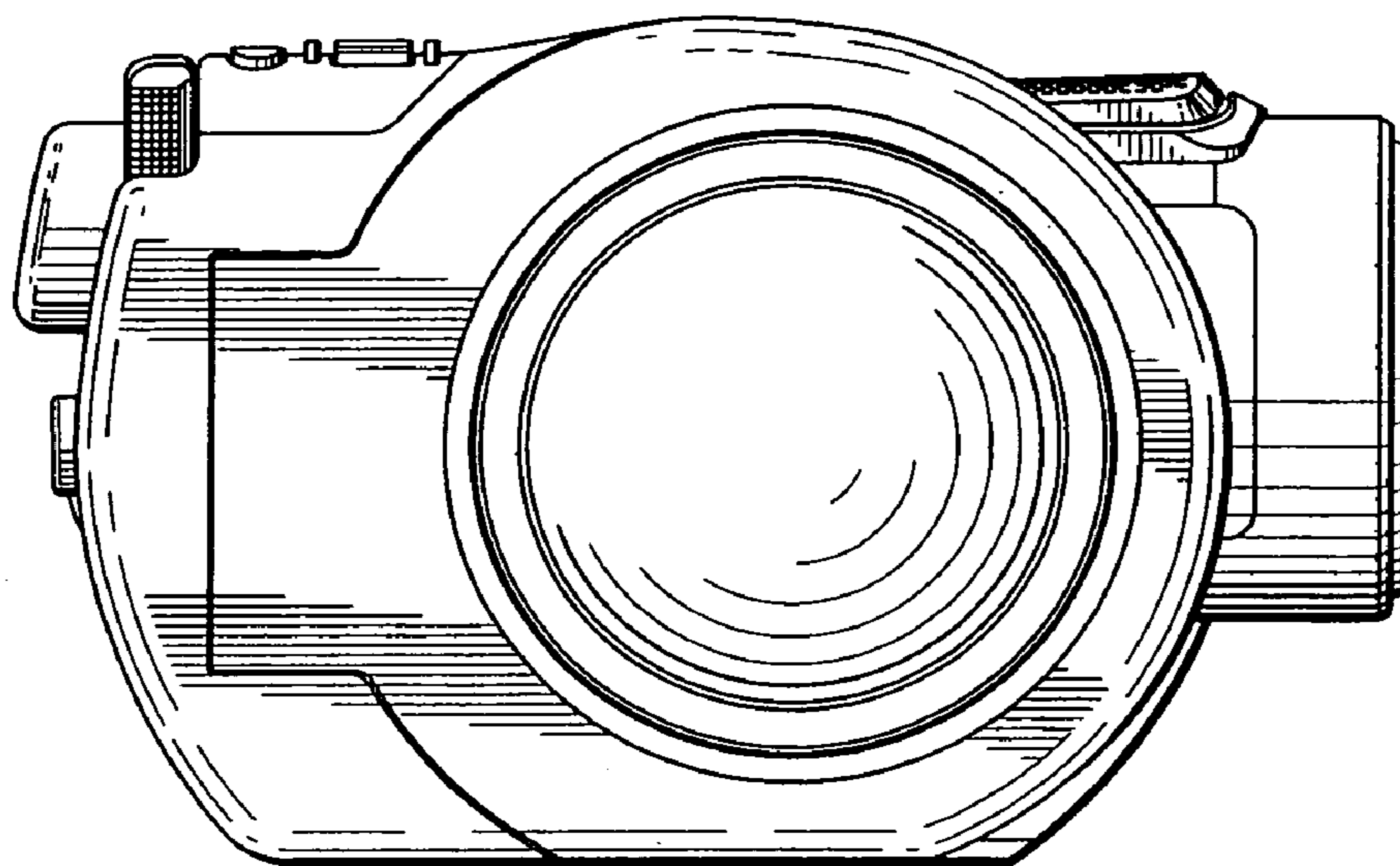


Fig. 4

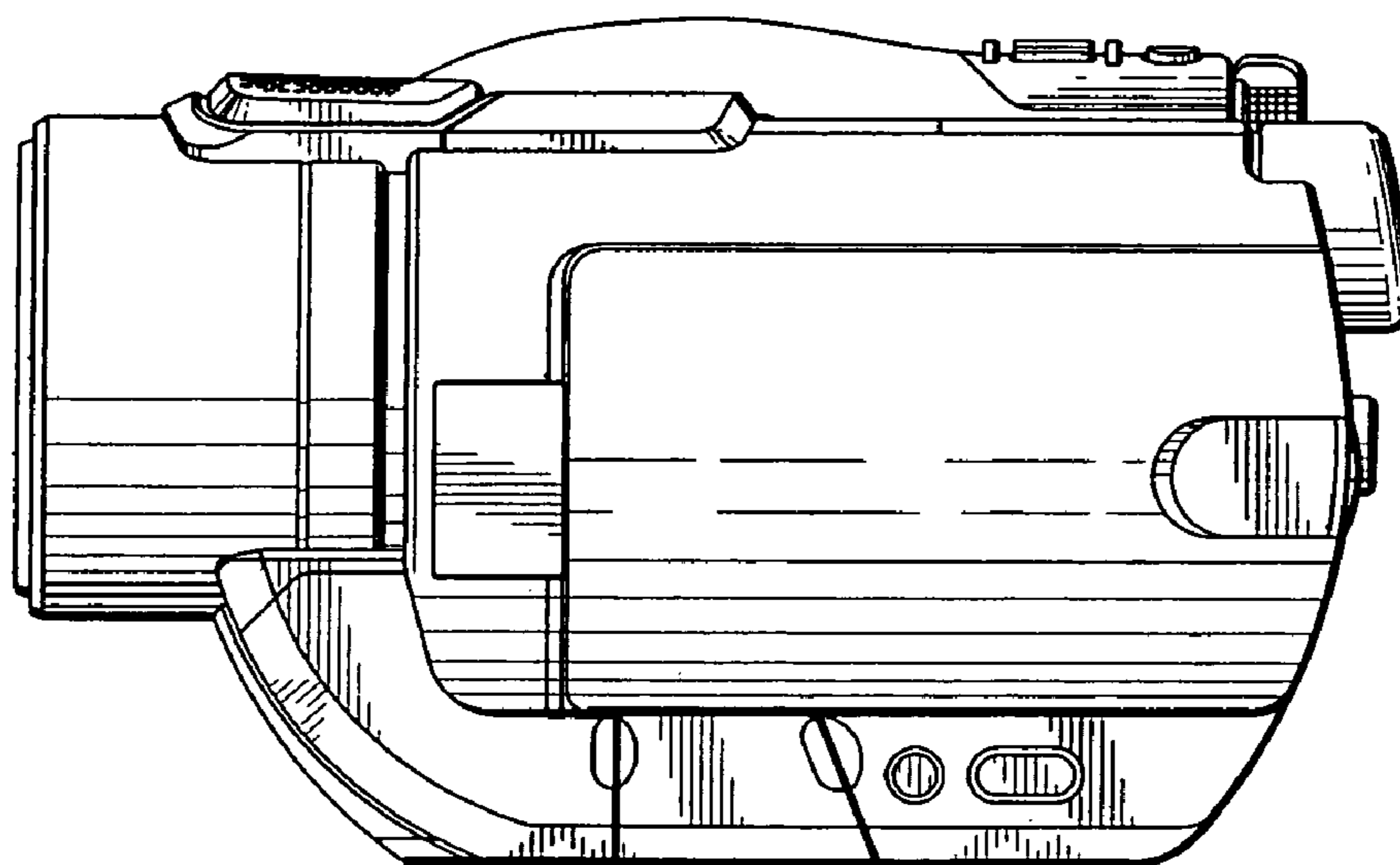


Fig. 5

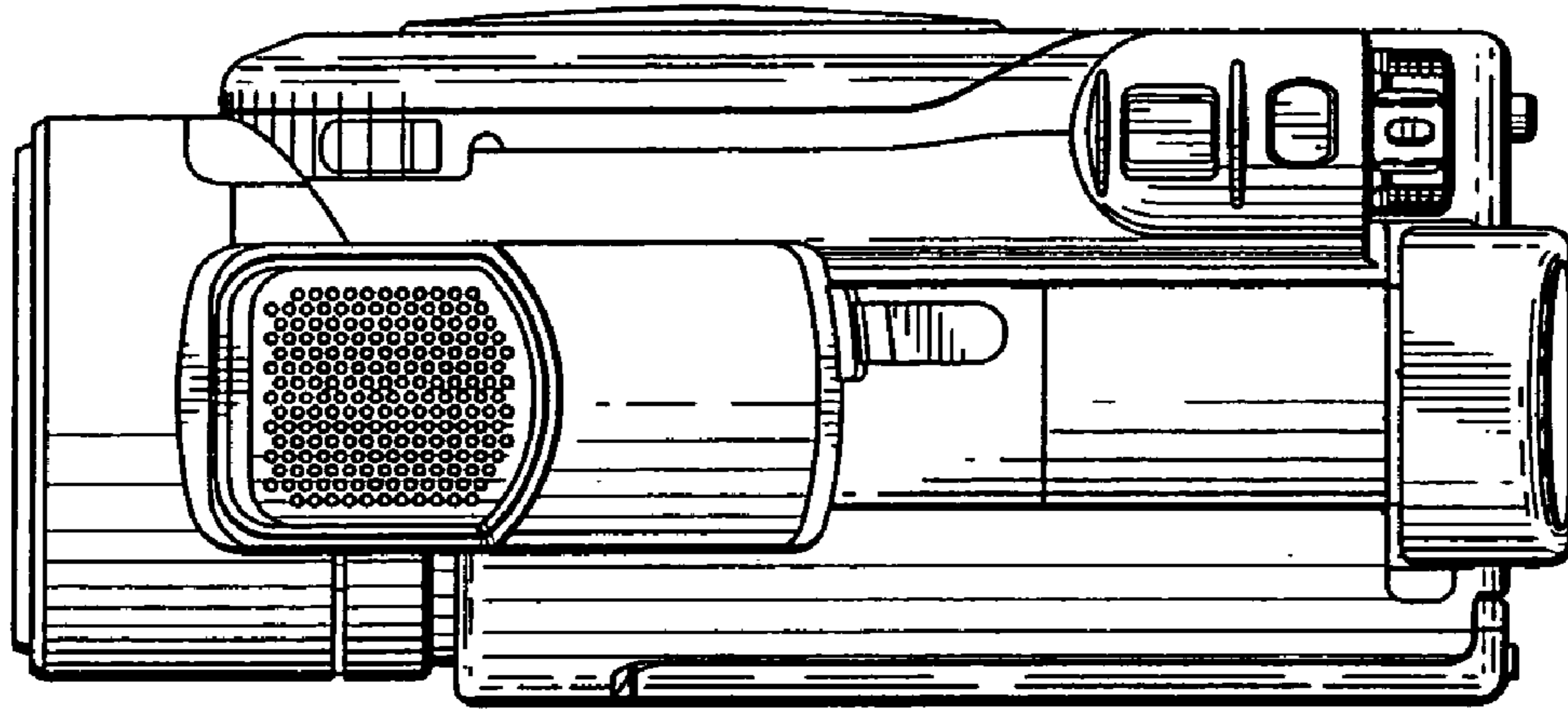


Fig. 6

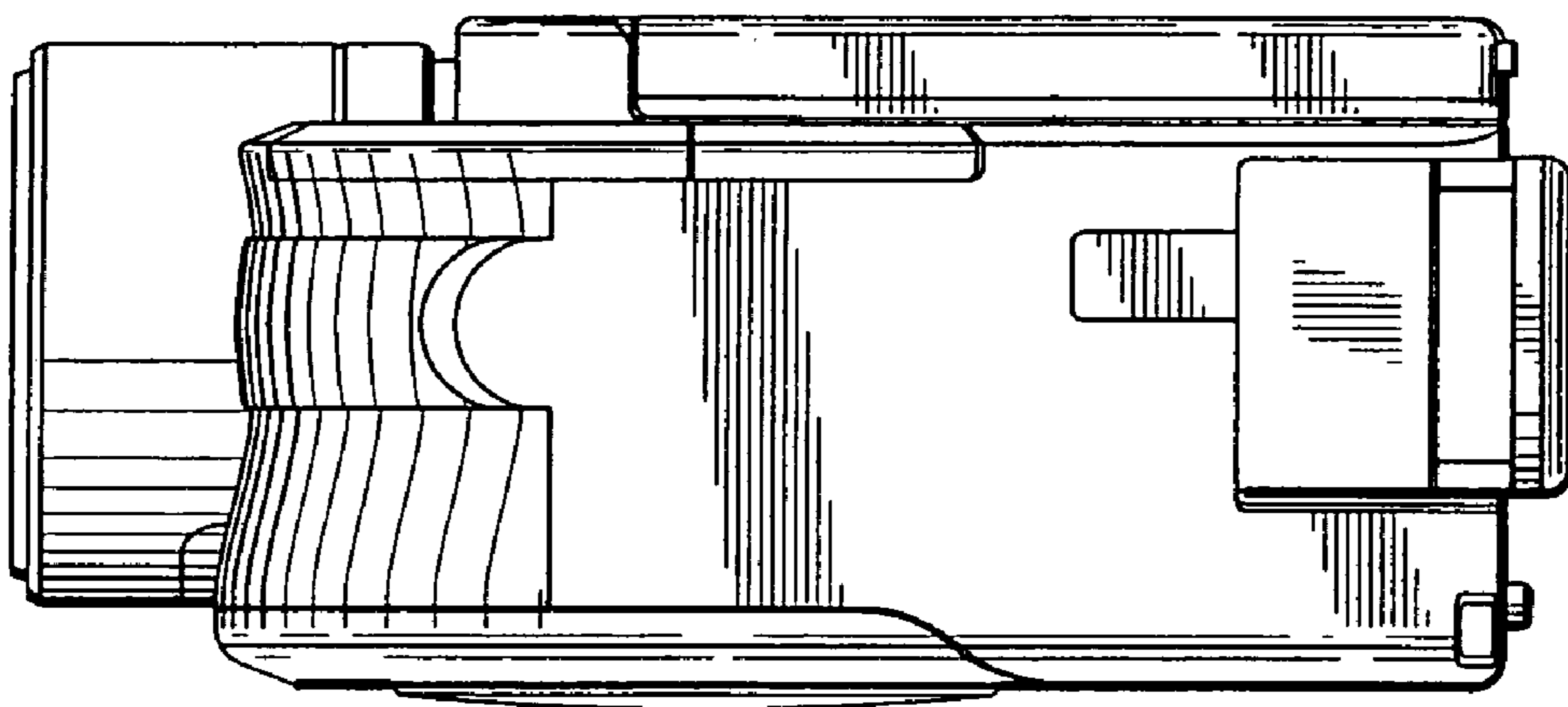


Fig. 7