



US00D557720S

(12) **United States Design Patent**
Shimizu

(10) **Patent No.:** **US D557,720 S**

(45) **Date of Patent:** **** Dec. 18, 2007**

(54) **VIDEO CAMERA**

(75) Inventor: **Minoru Shimizu**, Tokyo (JP)

(73) Assignee: **Sony Corporation**, Tokyo (JP)

(**) Term: **14 Years**

(21) Appl. No.: **29/260,657**

(22) Filed: **May 31, 2006**

(30) **Foreign Application Priority Data**

Dec. 27, 2005 (JP) 2005-038328

(51) **LOC (8) Cl.** **16-01**

(52) **U.S. Cl.** **D16/202**

(58) **Field of Classification Search** D16/200–206,
D16/208, 218; 348/373–376; 358/906;
396/535–541

See application file for complete search history.

(56) **References Cited**

U.S. PATENT DOCUMENTS

5,499,052	A *	3/1996	Nakanishi et al.	348/373
D500,776	S *	1/2005	Miyashita	D16/202
D517,107	S *	3/2006	Kojima et al.	D16/202
D537,463	S *	2/2007	Sadatsuki	D16/202
D544,514	S *	6/2007	Tanifuji et al.	D16/202
2005/0140823	A1 *	6/2005	Ishikuro	348/375

FOREIGN PATENT DOCUMENTS

JP	D1237805	3/2005
JP	D1237806	3/2005
JP	D1237809	3/2005

OTHER PUBLICATIONS

JVC—Productline Everio: Digital Media Camera GZ-MG77 Hard Drive Camcorder; GZ-MG37 Hard Drive Camcorder; GZ-MG27

Hard Drive Camcorder; GZ-MG21 Hard Drive Camcorder; GZ-MG70 Everio G Series; GZ-MG20 Everio G series; GZ-MG30 Everio G series; GZ-MG40 Everio G series; GZ-MG50 Everio G series <http://www.jvc.com/product.jsp?productId=PRD1207000&pathId=119> May 23, 2006.

JVC—MODEL GZ-MG20 Features Everio G series GZ-MG20 <http://www.jvc.com/product.jsp?modelId=MODL027543&pathId=119&page=2> May 23, 2006.

Panasonic Model Details PV-GS180 <http://www2.panasonic.com/webapp/wcs/stores/servlet/vModelDetail?displayTa...> May 23, 2006.

Panasonic Model Details PV-GS300 <http://www2.panasonic.com/webapp/wcs/stores/servlet/vModelDetail?displayTa...> May 23, 2006.

* cited by examiner

Primary Examiner—Adir Aronovich

(74) *Attorney, Agent, or Firm*—Oblon, Spivak, McClelland, Maier & Neustadt, P.C.

(57) **CLAIM**

The ornamental design for a video camera, as shown and described.

DESCRIPTION

FIG. 1 is a top and right front perspective view of a video camera, showing my design;

FIG. 2 is a front elevational view thereof;

FIG. 3 is a rear elevational view thereof;

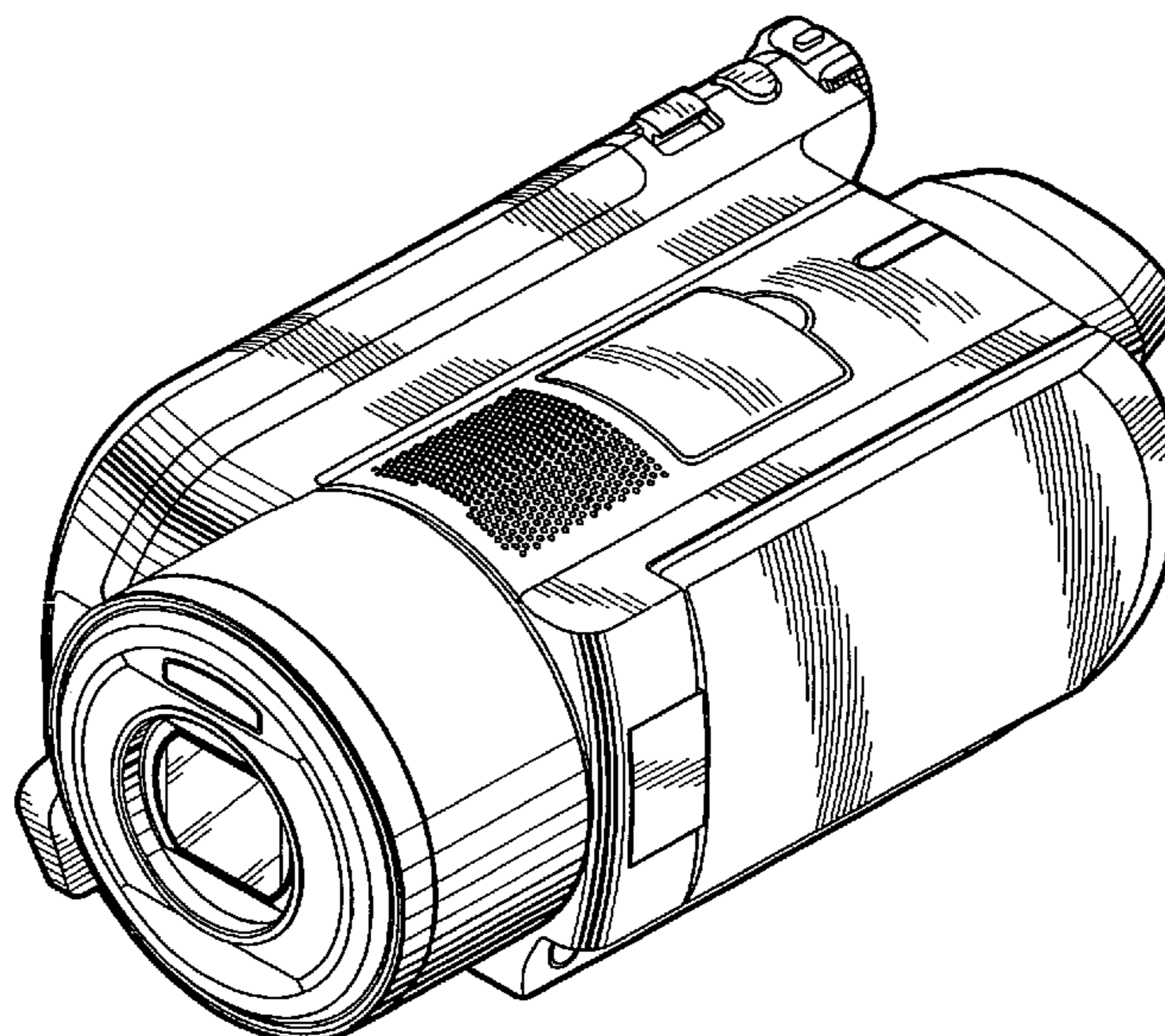
FIG. 4 is a left side elevational view thereof;

FIG. 5 is a right side elevational view thereof;

FIG. 6 is a top plan view thereof; and,

FIG. 7 is a bottom plan view thereof.

1 Claim, 4 Drawing Sheets



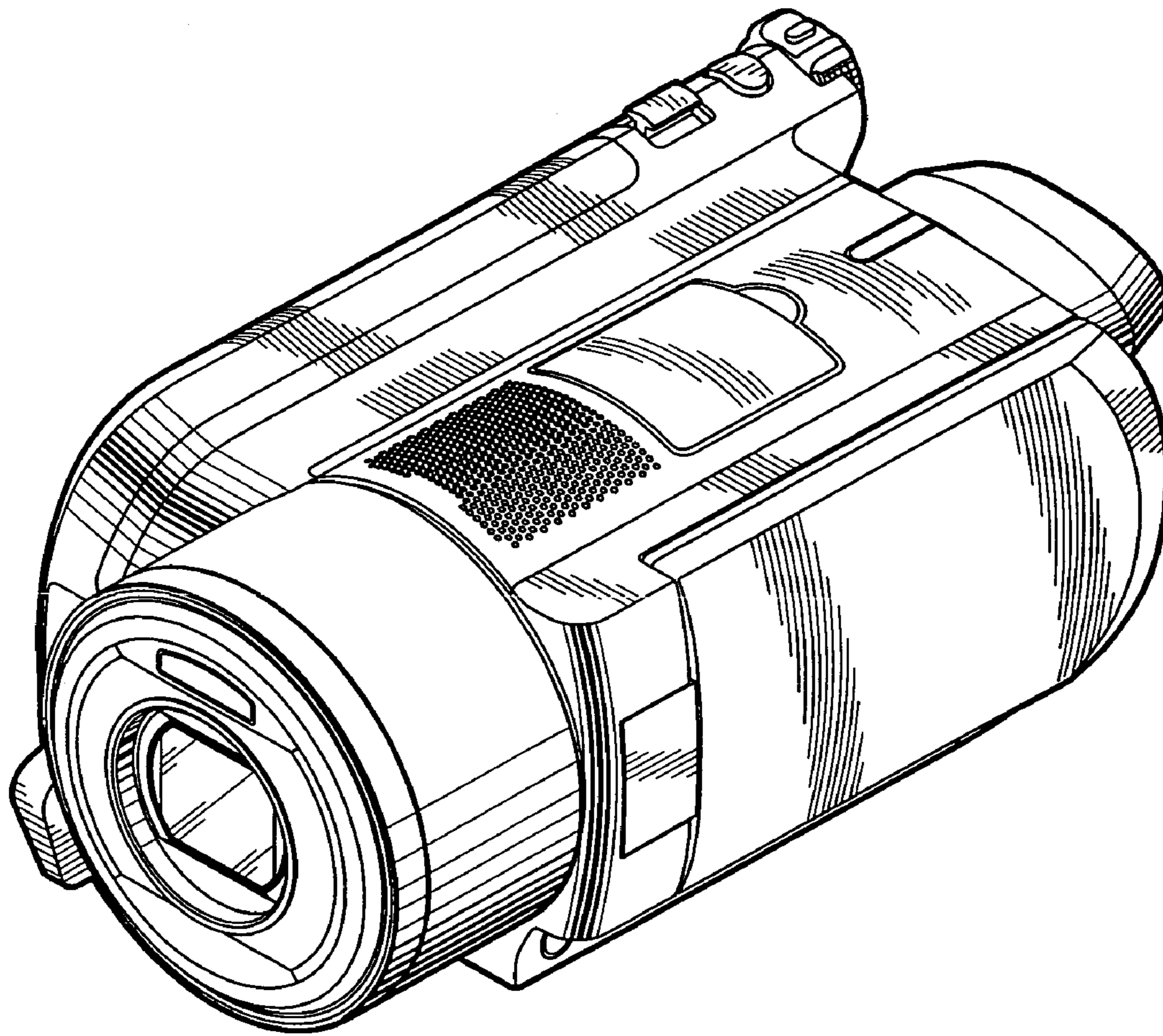


Fig. 1

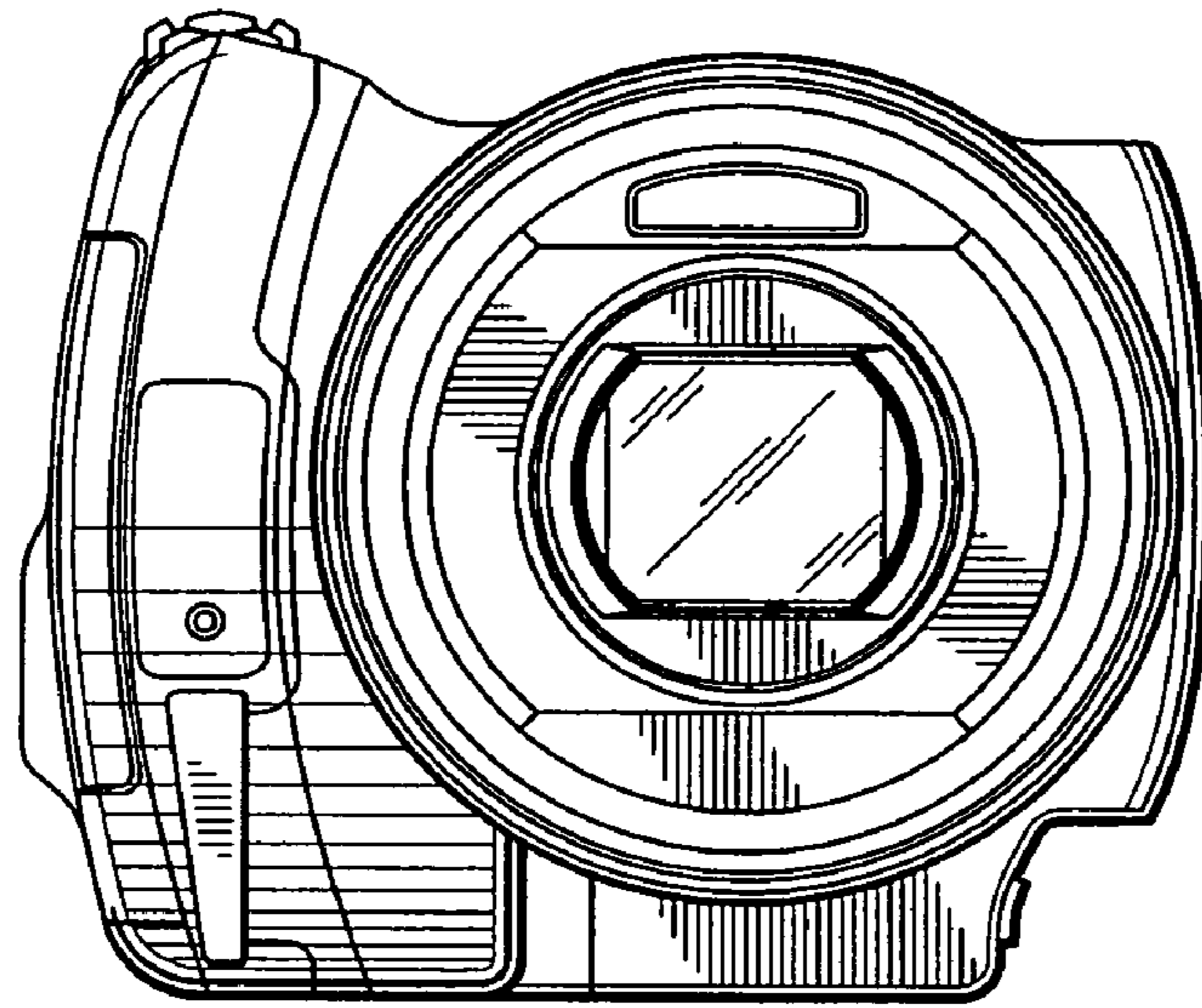


Fig. 2

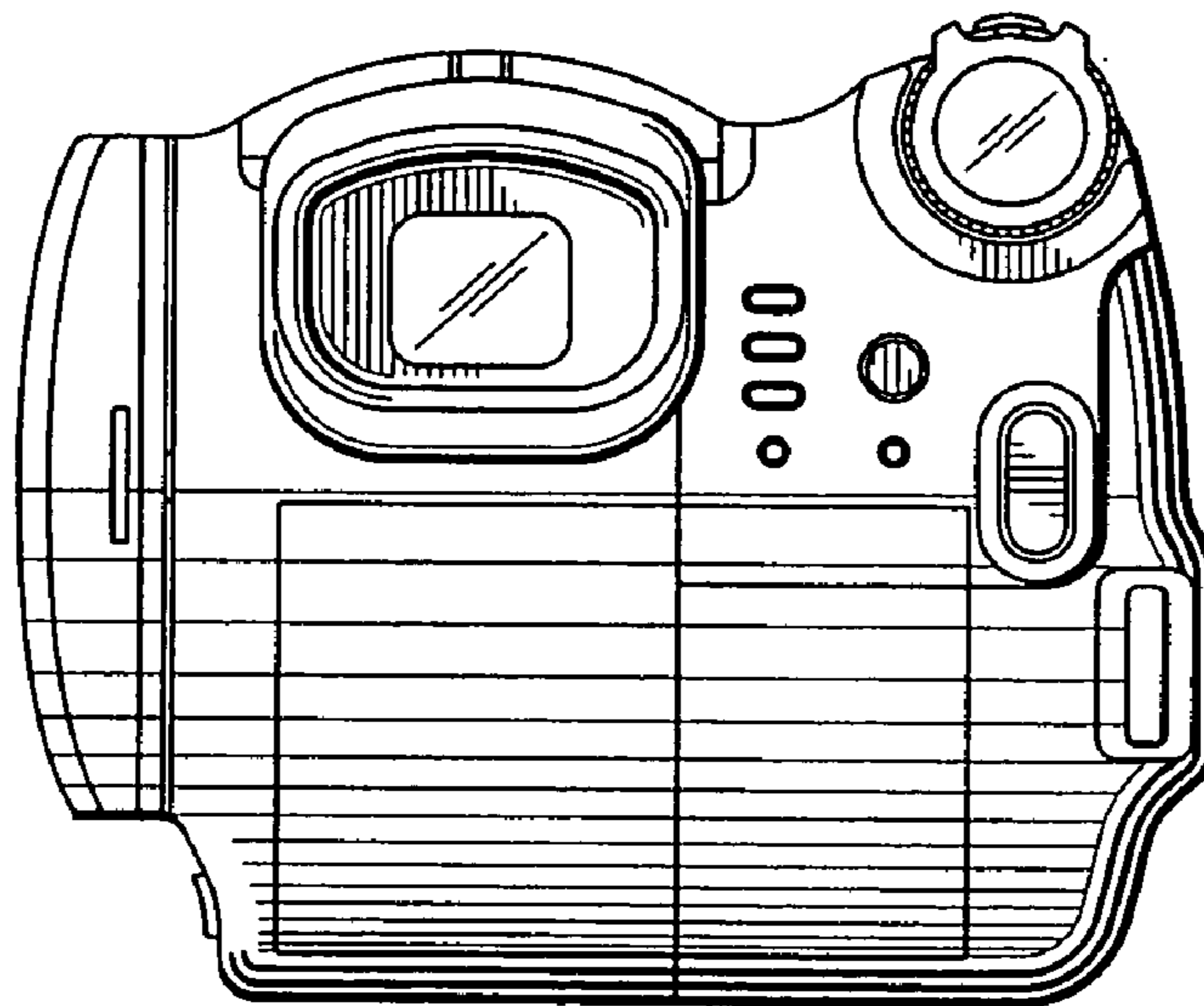


Fig. 3

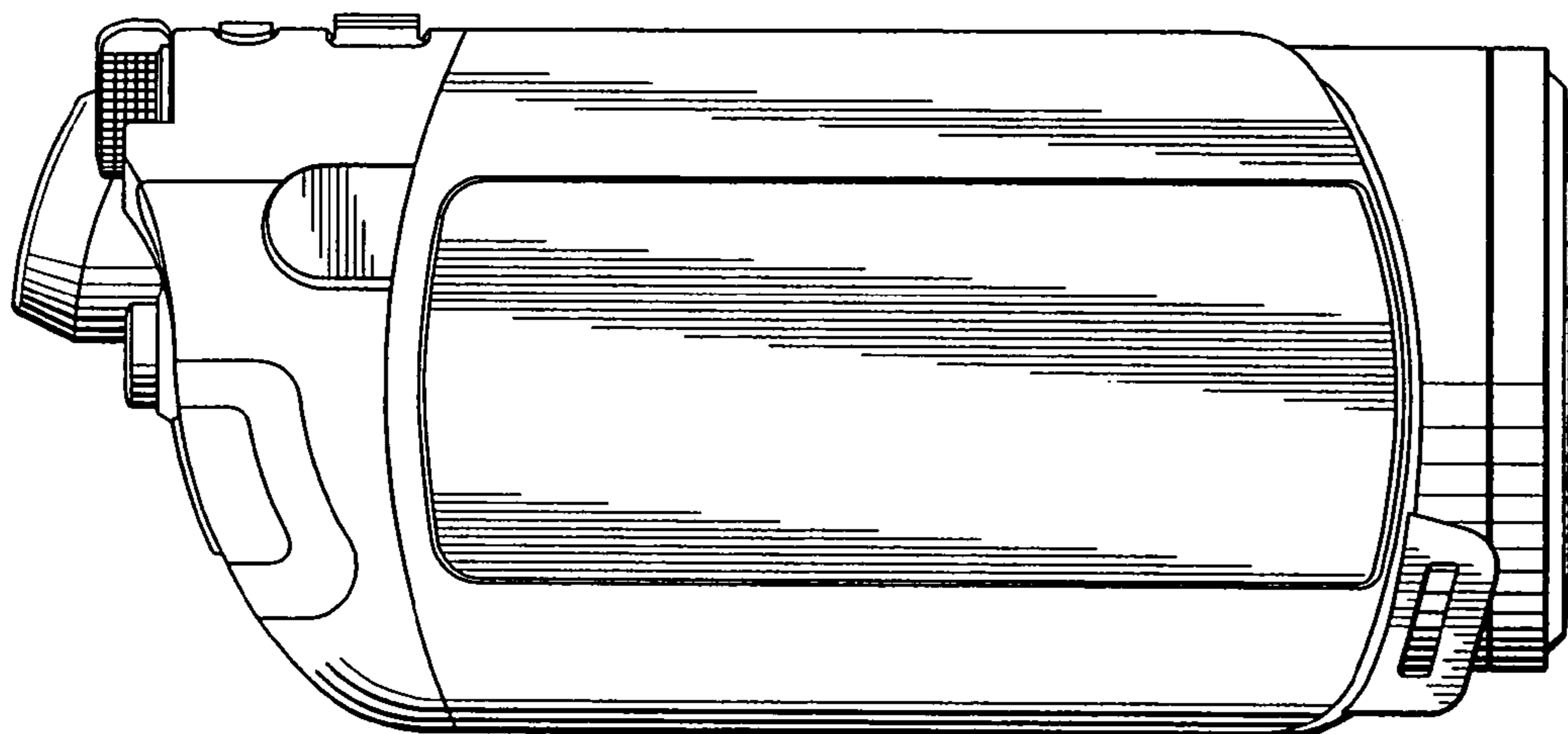


Fig. 4

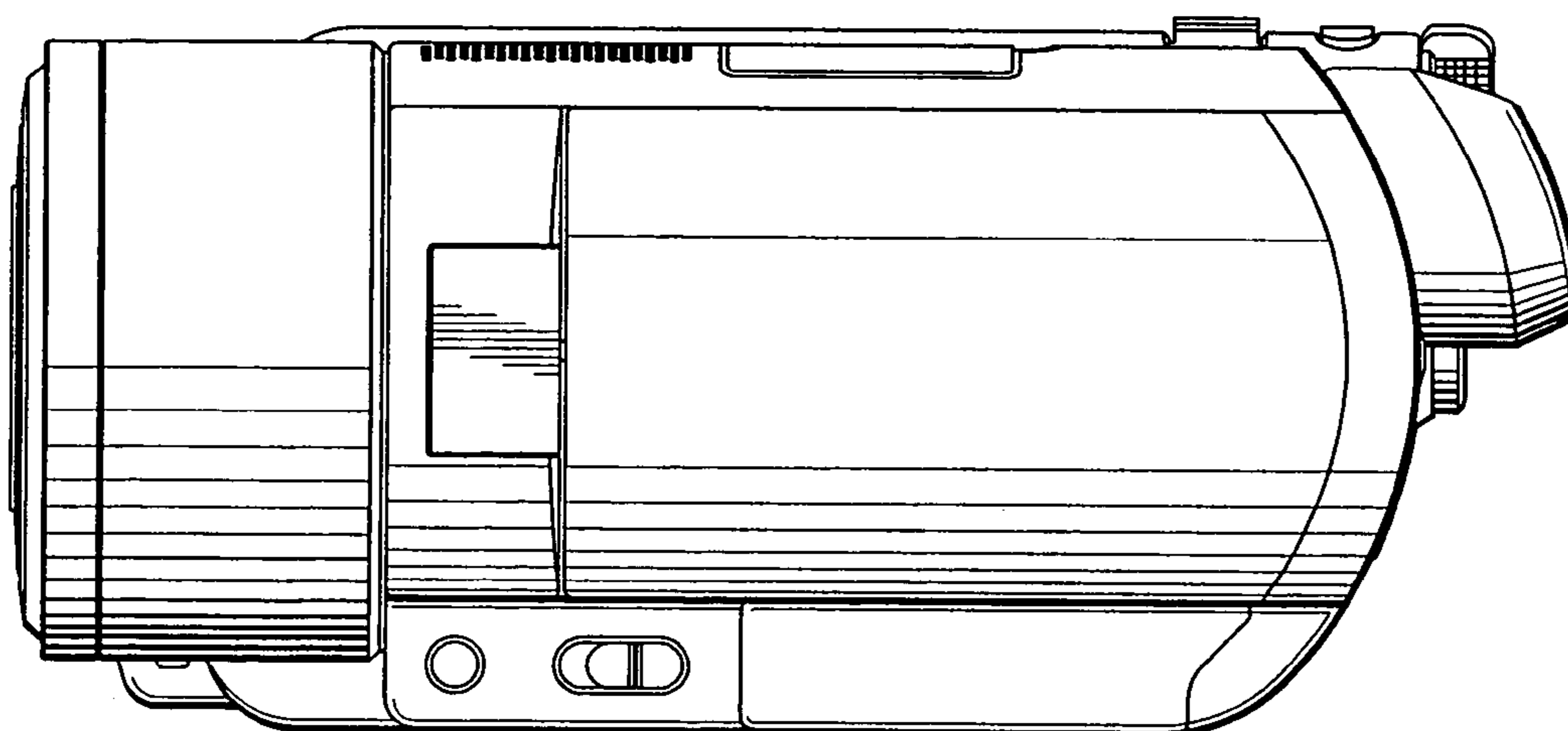


Fig. 5

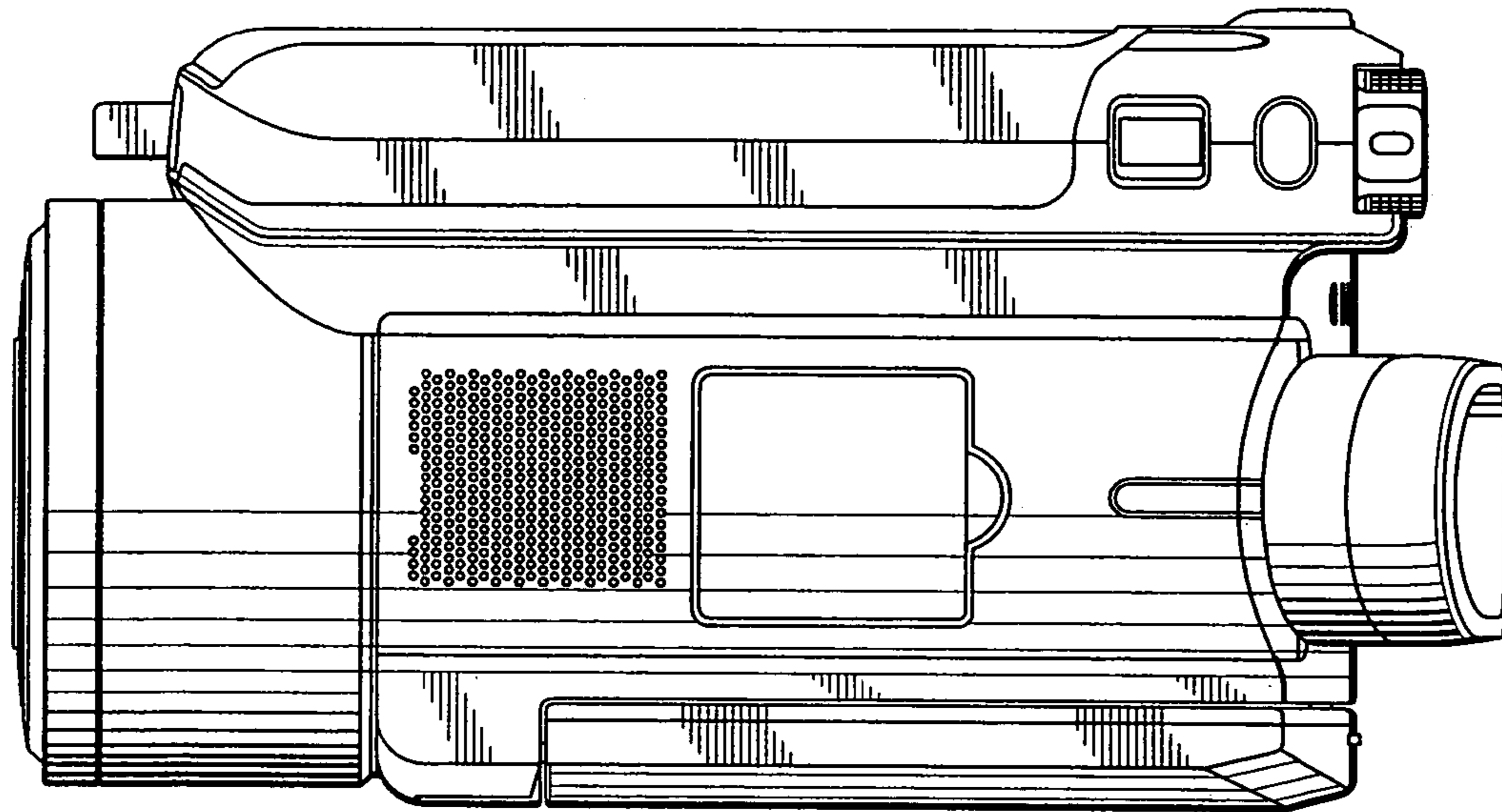


Fig. 6

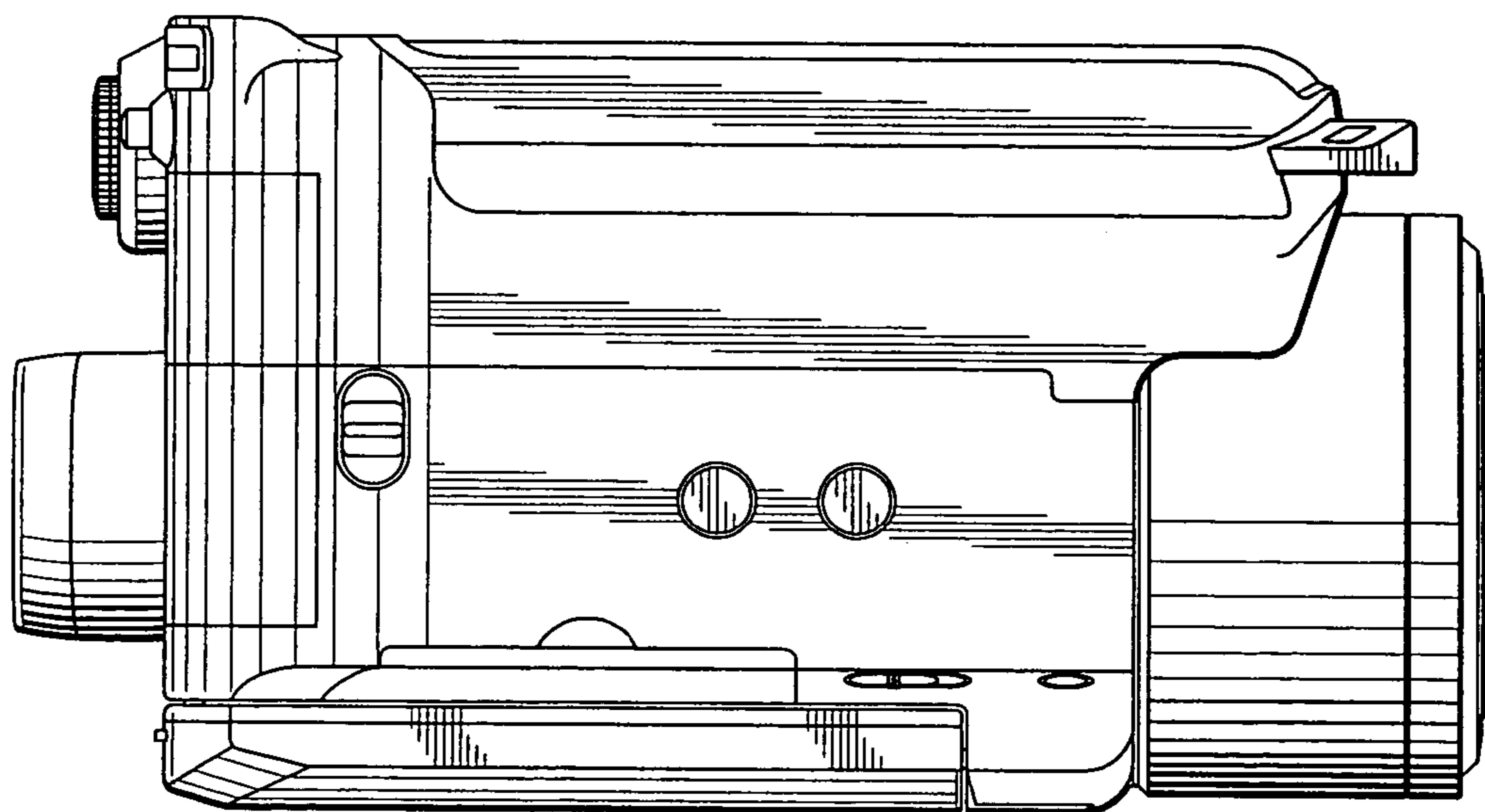


Fig. 7