



US00D557719S

(12) **United States Design Patent**  
**Yasutomi**

(10) **Patent No.:** **US D557,719 S**  
(45) **Date of Patent:** **\*\* Dec. 18, 2007**

(54) **VIDEO CAMERA**

(75) Inventor: **Hiroshi Yasutomi**, Tokyo (JP)

(73) Assignee: **Sony Corporation**, Tokyo (JP)

(\*\*) Term: **14 Years**

(21) Appl. No.: **29/260,656**

(22) Filed: **May 31, 2006**

(30) **Foreign Application Priority Data**

Dec. 27, 2005 (JP) ..... 2005-038327

(51) **LOC (8) Cl.** ..... **16-01**

(52) **U.S. Cl.** ..... **D16/202**

(58) **Field of Classification Search** ..... D16/200–206,  
D16/208, 218; 348/373–376; 358/906;  
396/535–541

See application file for complete search history.

(56) **References Cited**

**U.S. PATENT DOCUMENTS**

D500,776 S *	1/2005	Miyashita	.....	D16/202
D516,600 S *	3/2006	Tsuchiya	.....	D16/202
D532,805 S *	11/2006	Masano et al.	.....	D16/202
D534,565 S *	1/2007	Sadatsuki	.....	D16/202
D544,514 S *	6/2007	Tanifuji et al.	.....	D16/202
2005/0140823 A1 *	6/2005	Ishikuro	.....	348/375

**FOREIGN PATENT DOCUMENTS**

JP	D1181594	6/2003
JP	D1181595	6/2003
JP	D1188776	9/2003
JP	D1188922	9/2003
JP	D1228653	12/2004
JP	D1228654	12/2004

JP	D1229119	12/2004
JP	D1229120	12/2004
JP	D1239158	3/2005
JP	D1243919	5/2005
JP	D1244380	5/2005
JP	D1244381	5/2005
JP	D1249650	7/2005
JP	D1250050	7/2005
JP	D1269457	3/2006
JP	D1276337	5/2006
JP	D1276338	5/2006
JP	D1276339	5/2006

\* cited by examiner

*Primary Examiner*—Adir Aronovich  
(74) *Attorney, Agent, or Firm*—Oblon, Spivak, McClelland,  
Maier & Neustadt, P.C.

(57) **CLAIM**

The ornamental design for a video camera, as shown and described.

**DESCRIPTION**

FIG. 1 is a top and right front perspective view of a video camera, showing my design;

FIG. 2 is a front elevational view thereof;

FIG. 3 is a rear elevational view thereof;

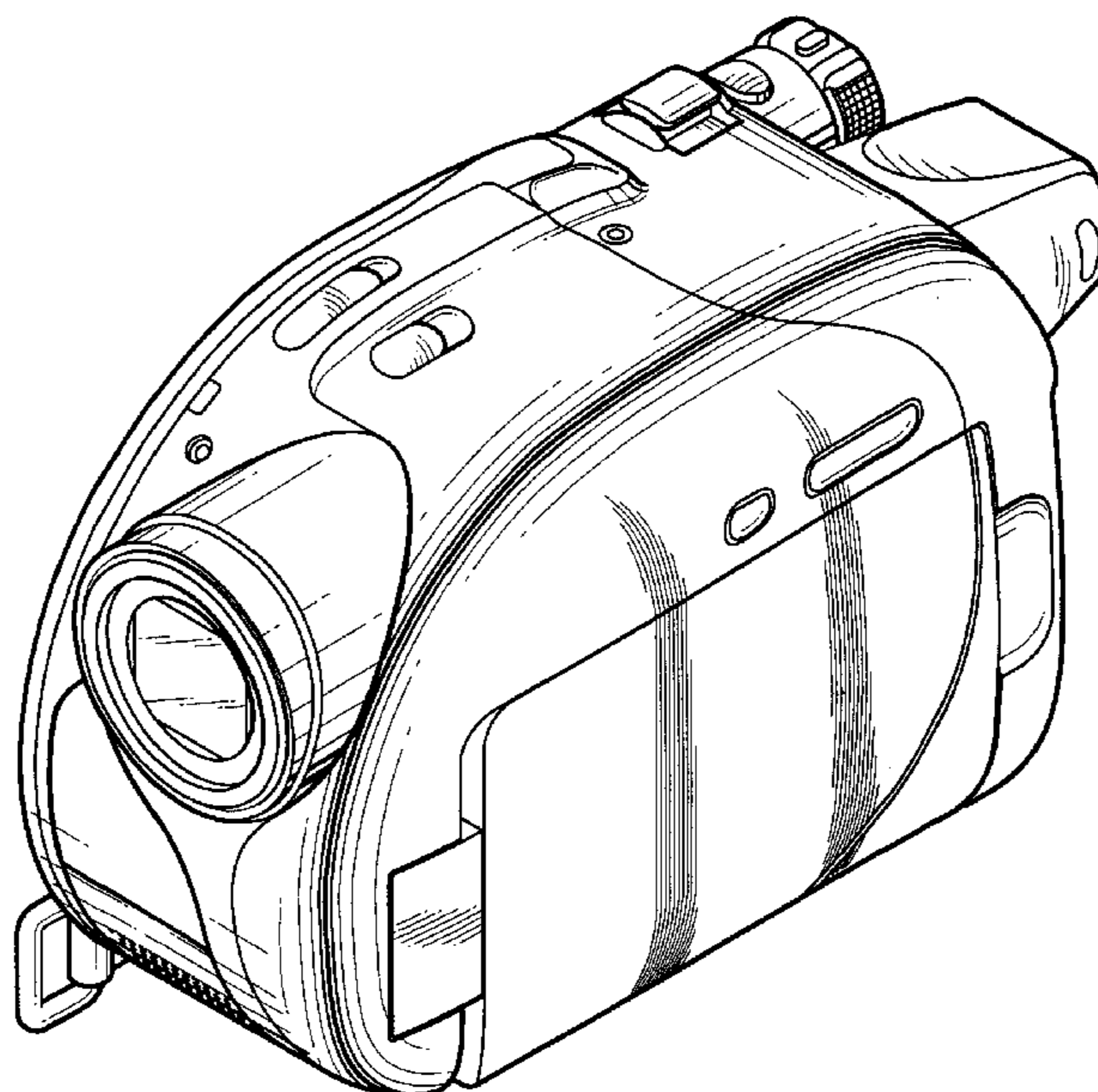
FIG. 4 is a left side elevational view thereof;

FIG. 5 is a right side elevational view thereof;

FIG. 6 is a top plan view thereof, shown rotated ninety degrees counterclockwise; and,

FIG. 7 is a bottom plan view thereof, shown rotated ninety degrees counterclockwise.

**1 Claim, 4 Drawing Sheets**



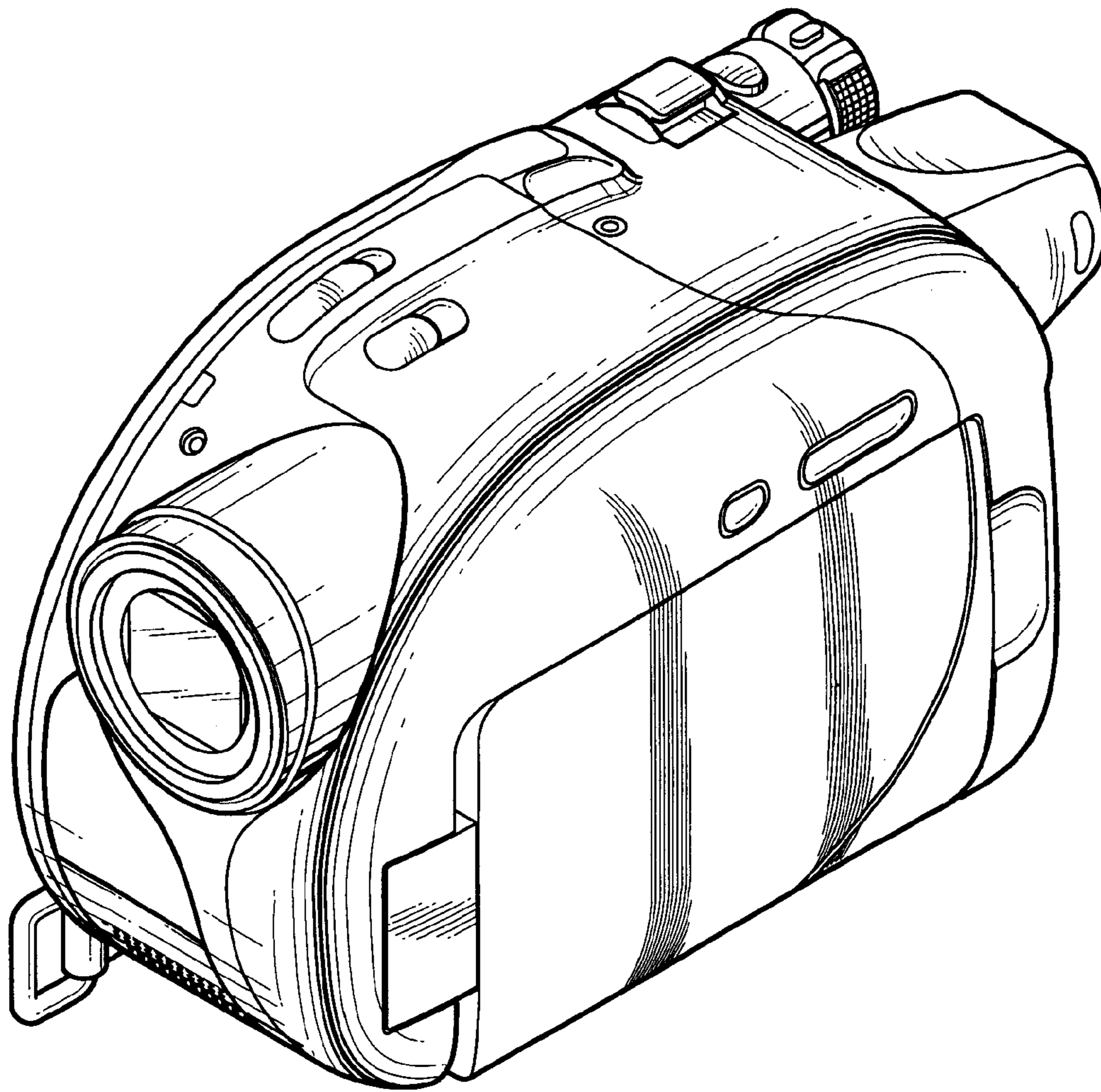


FIG. 1

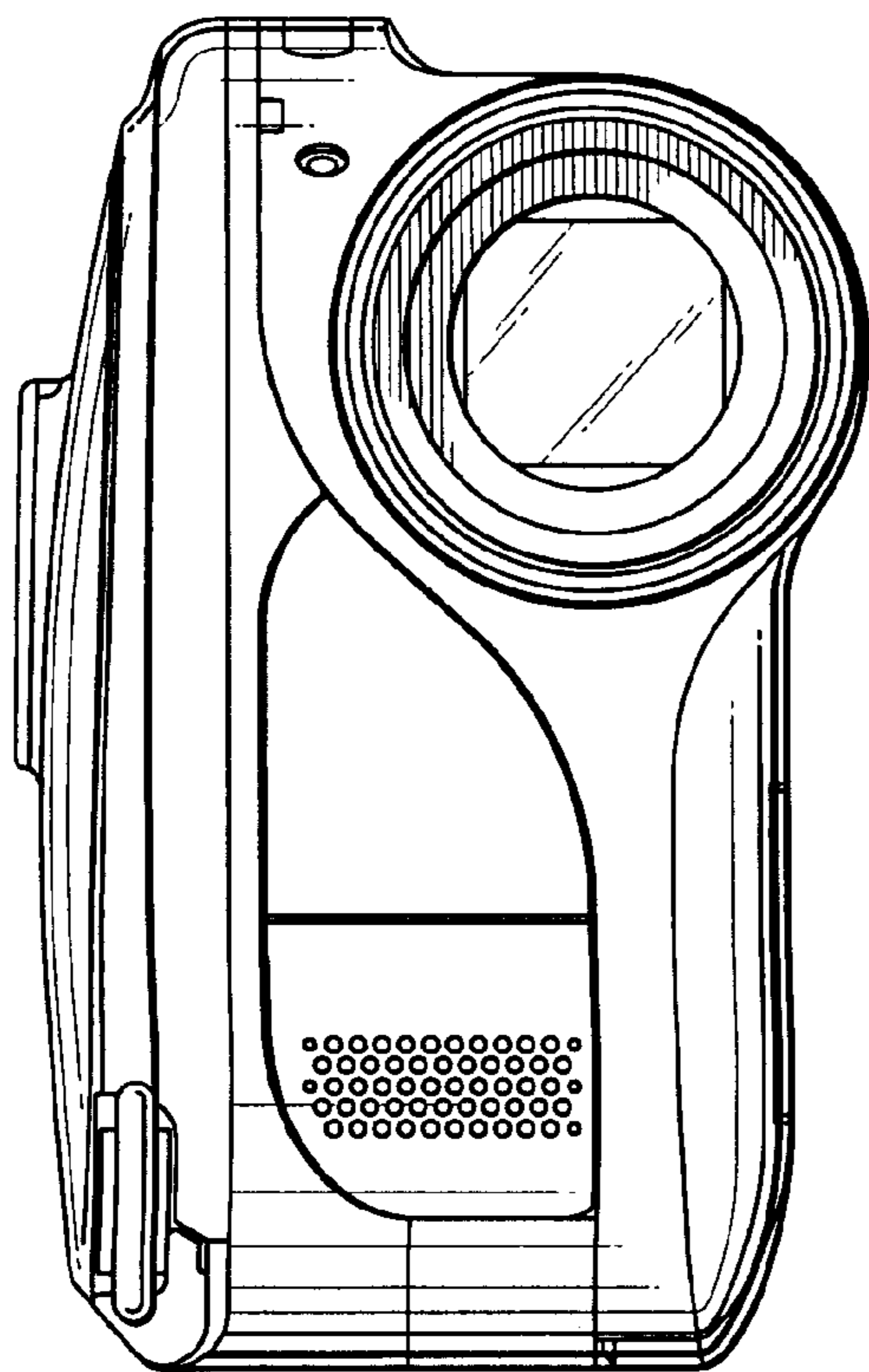


FIG. 2

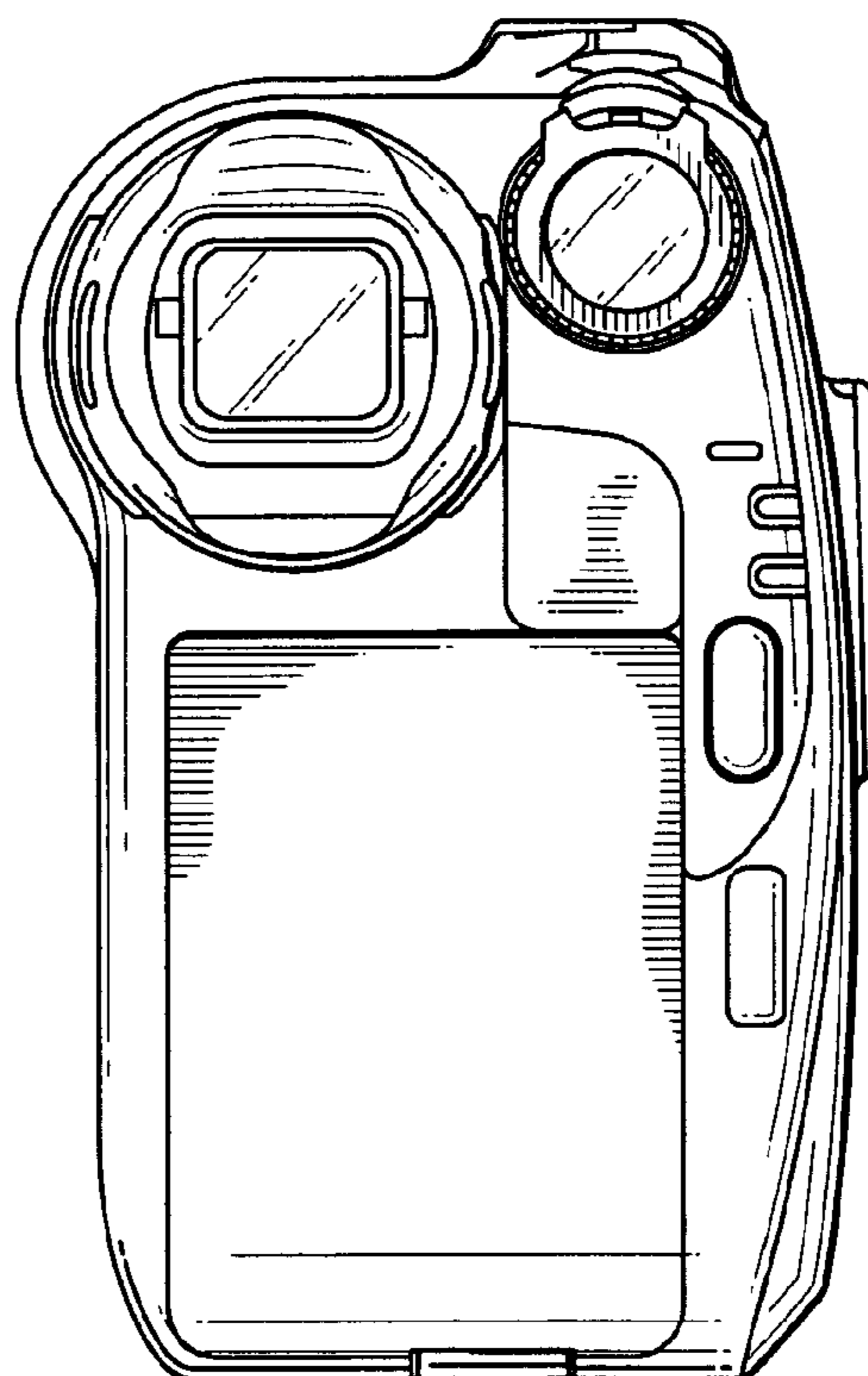


FIG. 3

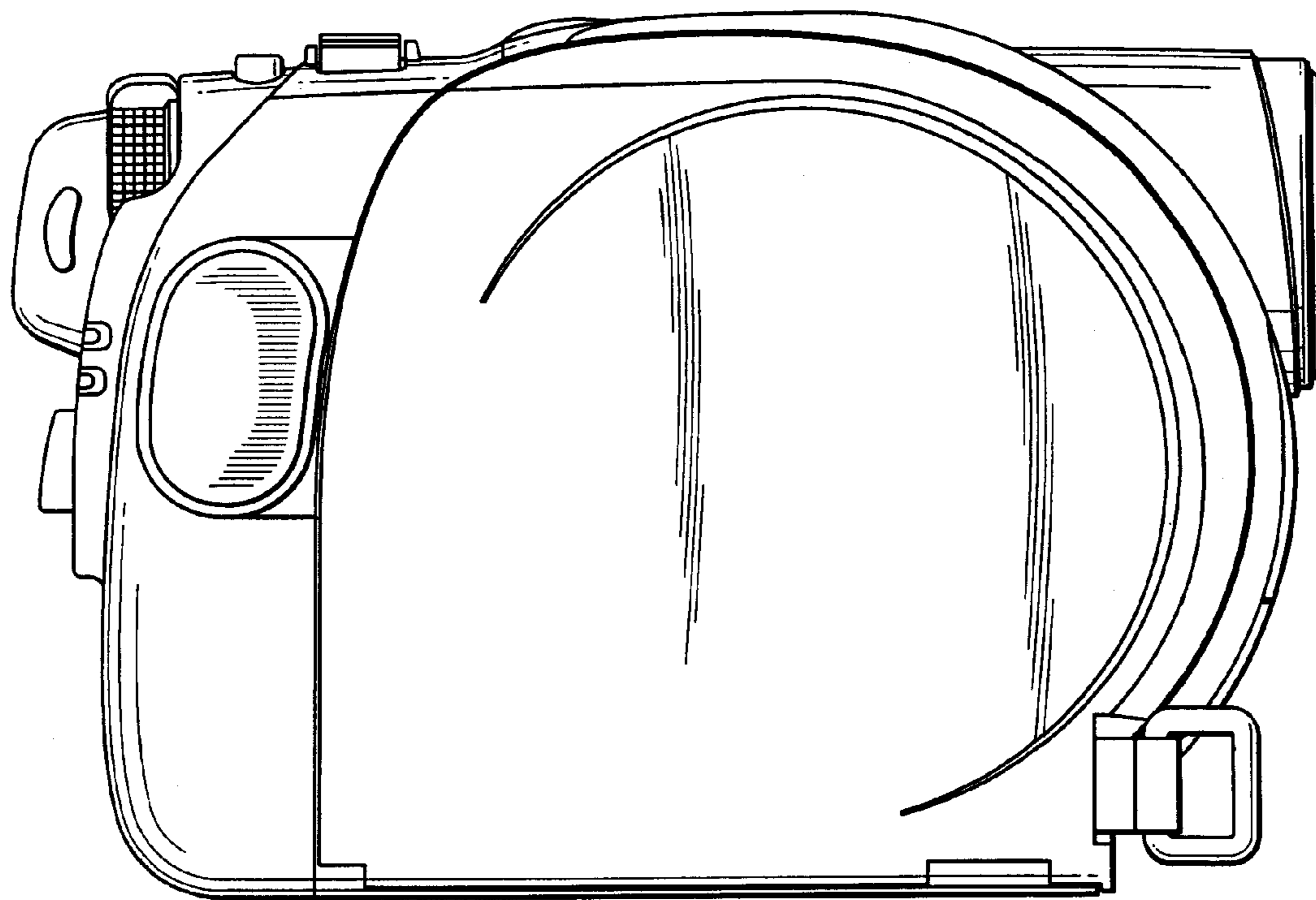


FIG. 4

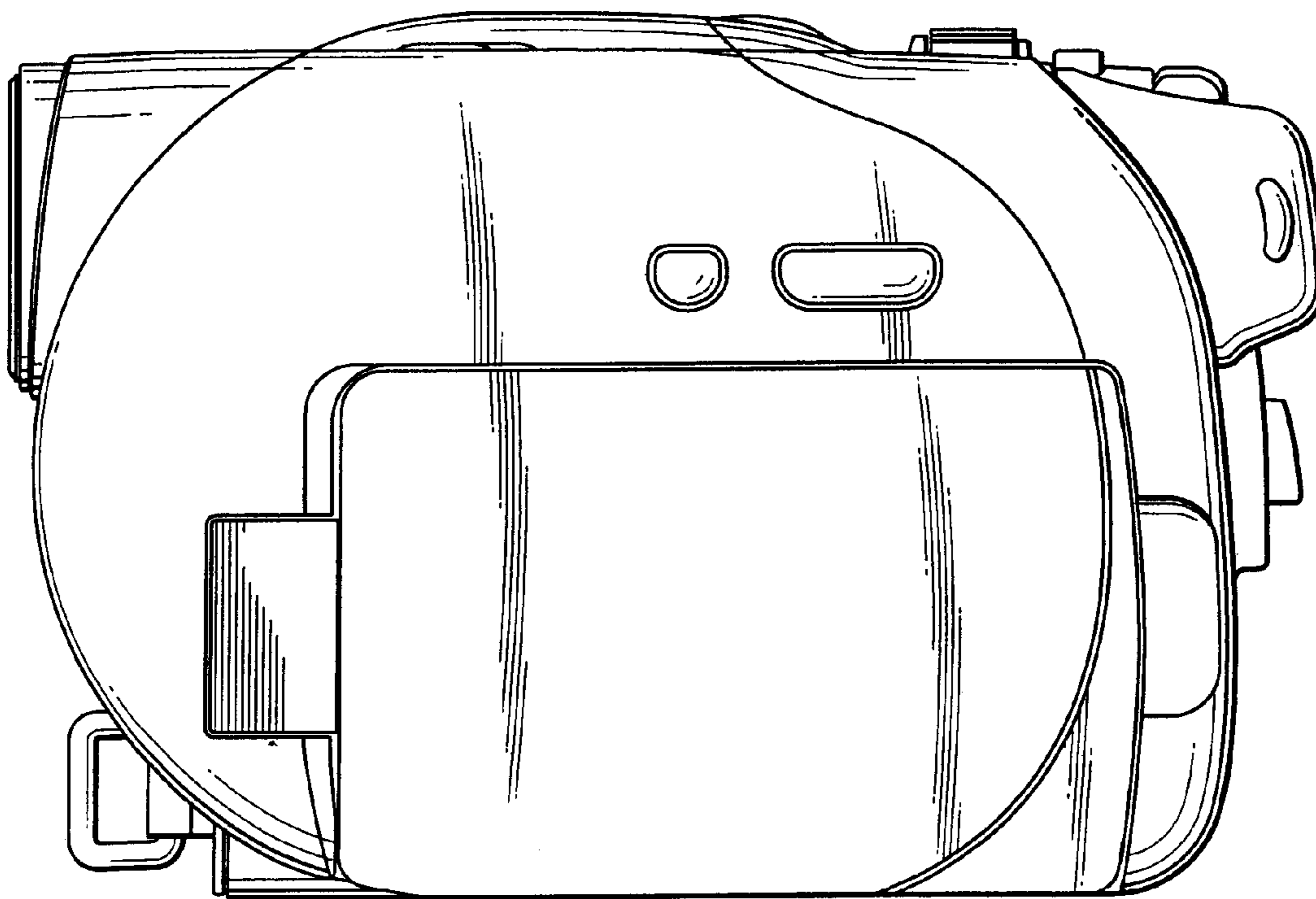


FIG. 5

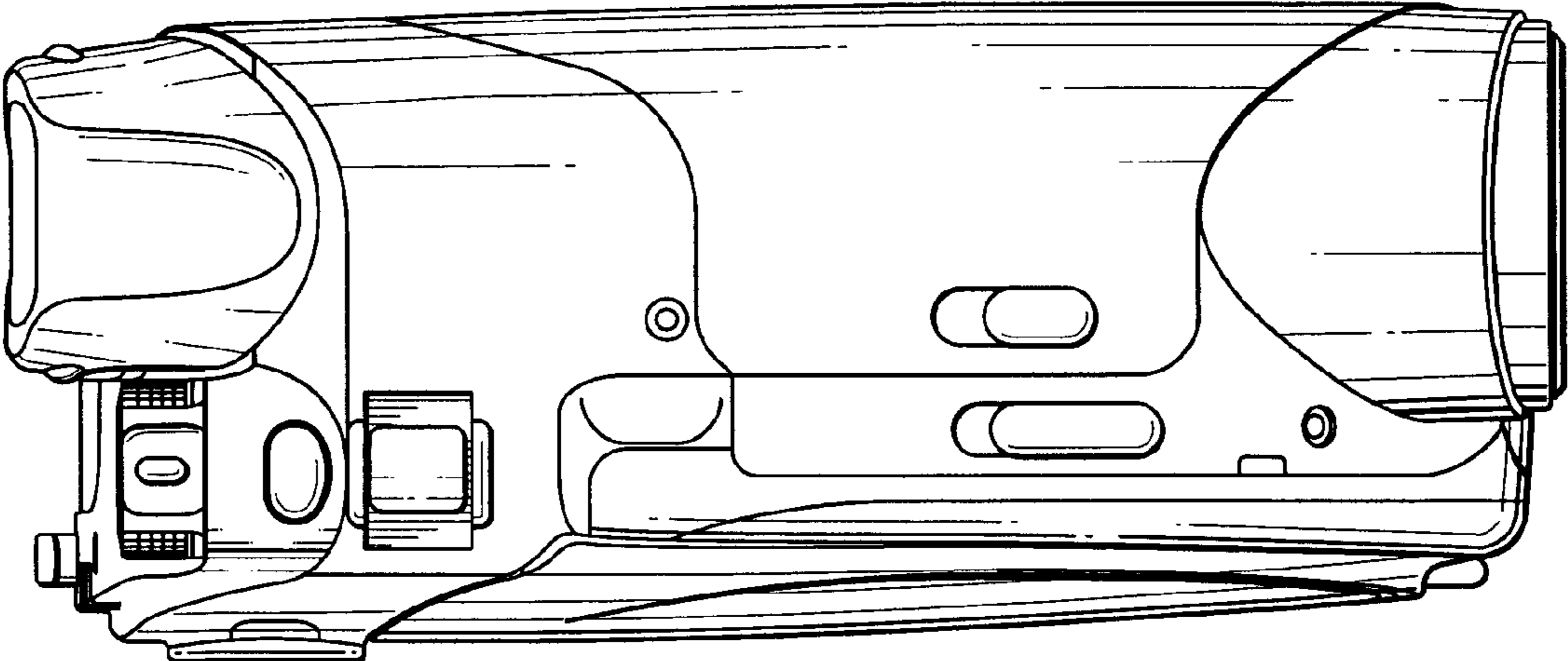


FIG. 6

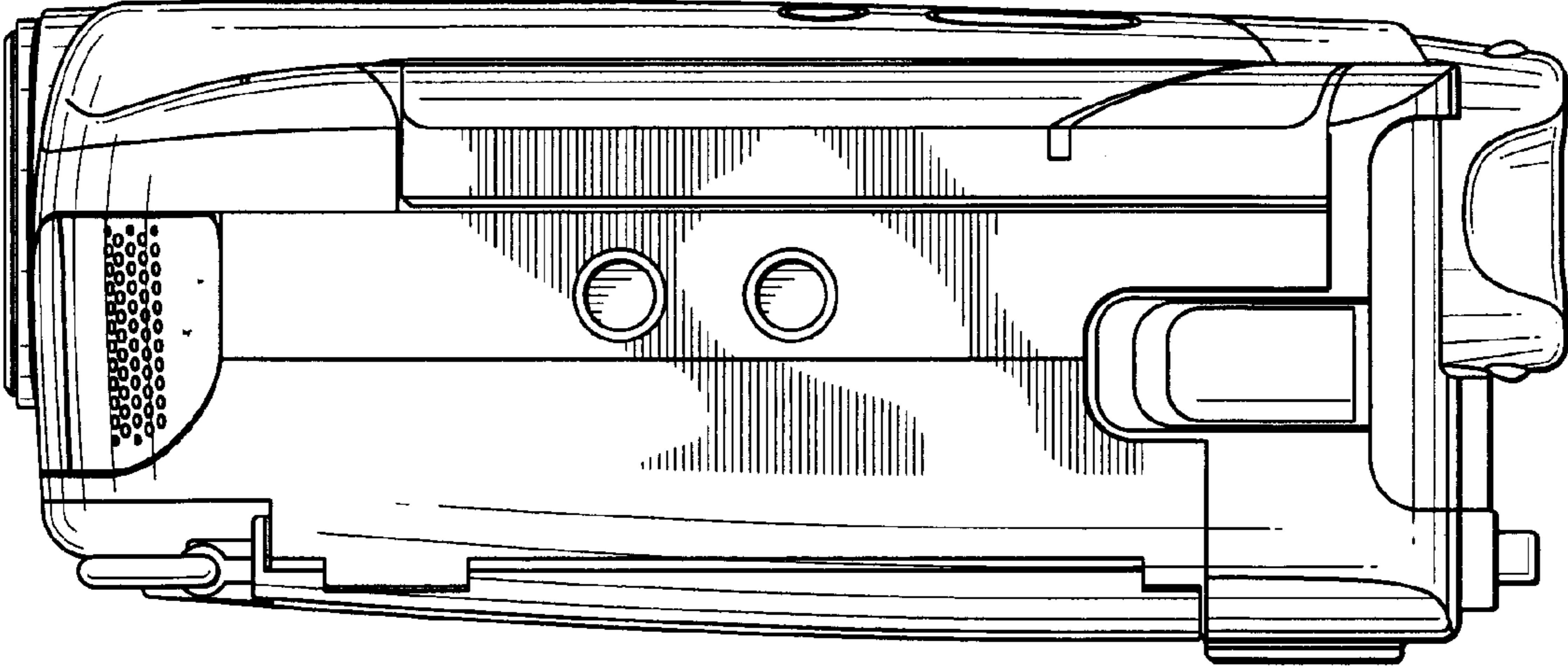


FIG. 7