



US00D557718S

(12) **United States Design Patent** (10) **Patent No.:** **US D557,718 S**  
**Cho** (45) **Date of Patent:** **\*\* Dec. 18, 2007**

(54) **EJECTOR FOR VACUUM PUMP**

(75) Inventor: **Ho-Young Cho**, Seoul (KR)

(73) Assignee: **Korea Pneumatic System Co., Ltd.**,  
Seoul (KR)

(\*\*) Term: **14 Years**

(21) Appl. No.: **29/245,990**

(22) Filed: **Jan. 3, 2006**

(30) **Foreign Application Priority Data**

Jul. 4, 2005 (KR) ..... 30-2005-0022256

(51) **LOC (8) Cl.** ..... **15-99**

(52) **U.S. Cl.** ..... **D15/199**

(58) **Field of Classification Search** ..... D15/199;  
417/54, 151, 161, 169, 174, 189, 191, 192  
See application file for complete search history.

(56) **References Cited**

**U.S. PATENT DOCUMENTS**

4,696,625 A \* 9/1987 Greenberg ..... 417/174  
4,960,364 A 10/1990 Tell  
D325,038 S 3/1992 Tell  
D333,827 S 3/1993 Tell  
D490,451 S \* 5/2004 Nagai et al. .... D15/199

\* cited by examiner

*Primary Examiner*—Antoine D. Davis

*Assistant Examiner*—Patricia Palasik

(74) *Attorney, Agent, or Firm*—Jackson Walker LLP; Robert  
C. Klinger

(57) **CLAIM**

The ornamental design for an ejector for vacuum pump.

**DESCRIPTION**

FIG. 1 is a perspective view showing my design;

FIG. 2 is a front elevational view thereof;

FIG. 3 is a rear elevational view thereof;

FIG. 4 is a left side elevational view thereof;

FIG. 5 is a right side elevational view thereof;

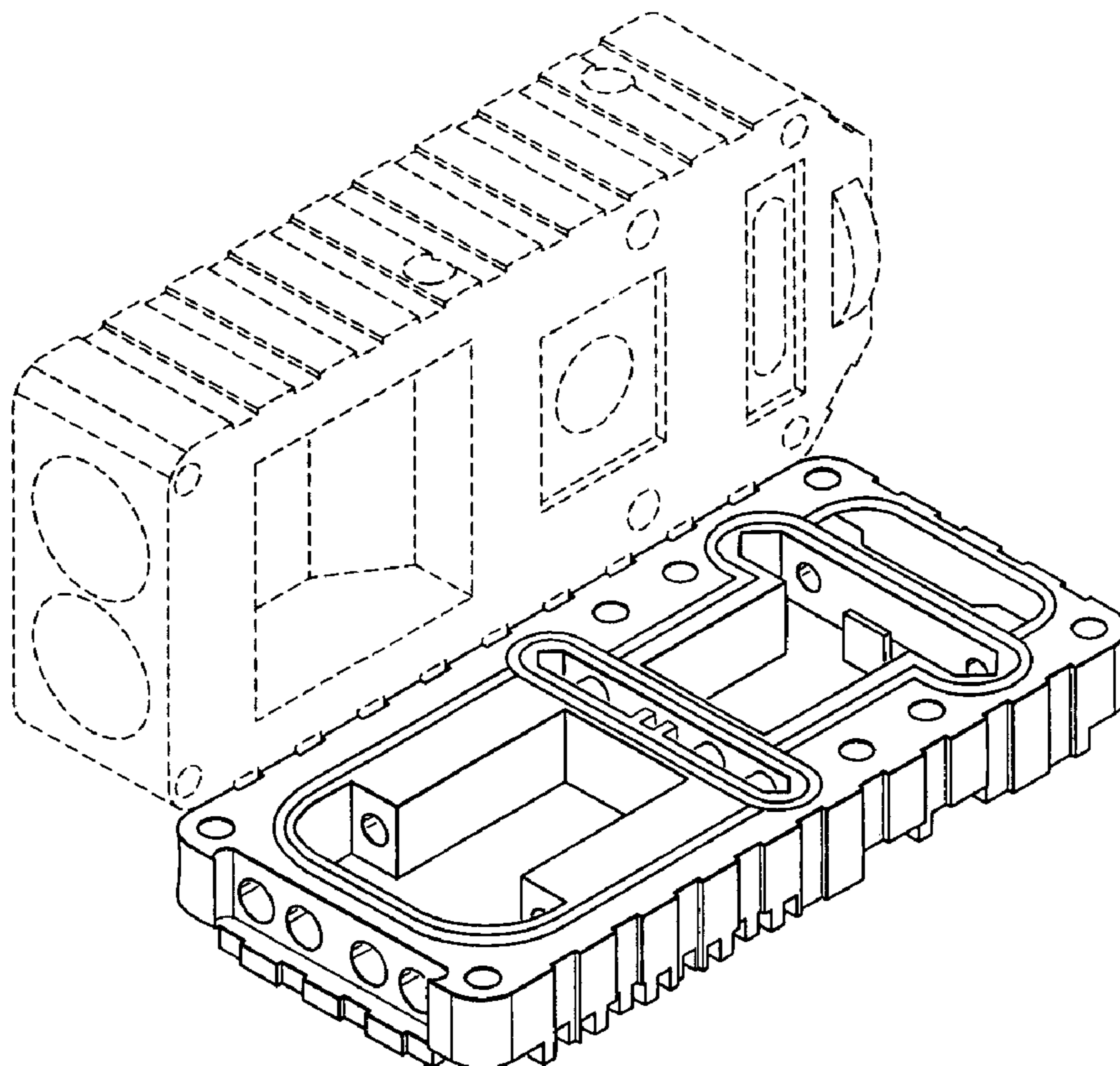
FIG. 6 is a top plan view thereof;

FIG. 7 is a bottom plan view thereof; and,

FIG. 8 is a perspective view of the inventive ejector for  
vacuum pump, shown in an alternate condition of use with  
an ejector cover.

The ejector for vacuum pump portion shown in broken lines  
is for illustrative purposes only and forms no part of the  
claimed design.

**1 Claim, 5 Drawing Sheets**



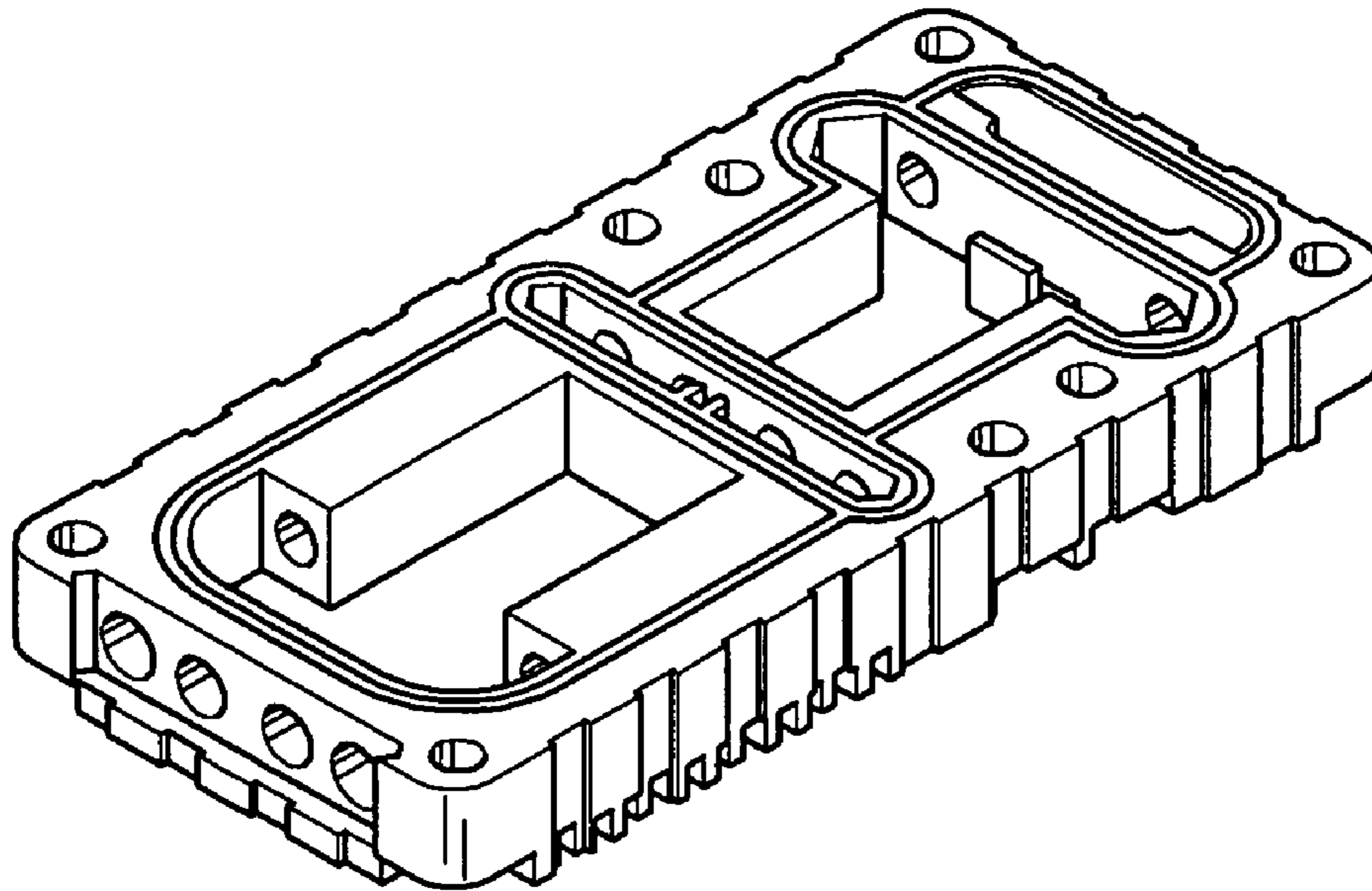


FIG. 1

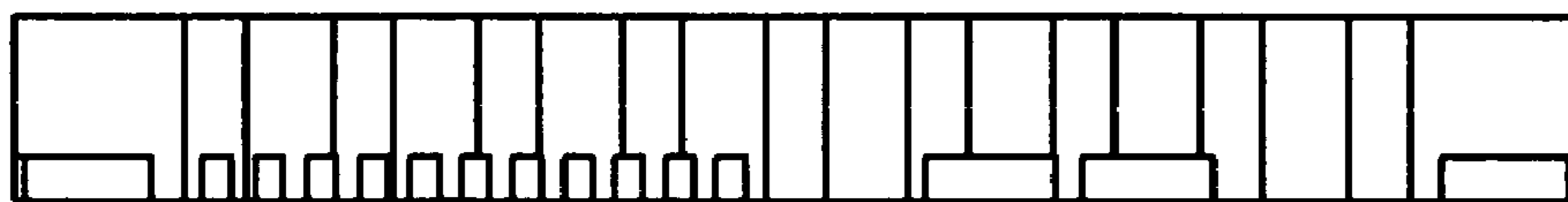


FIG. 2

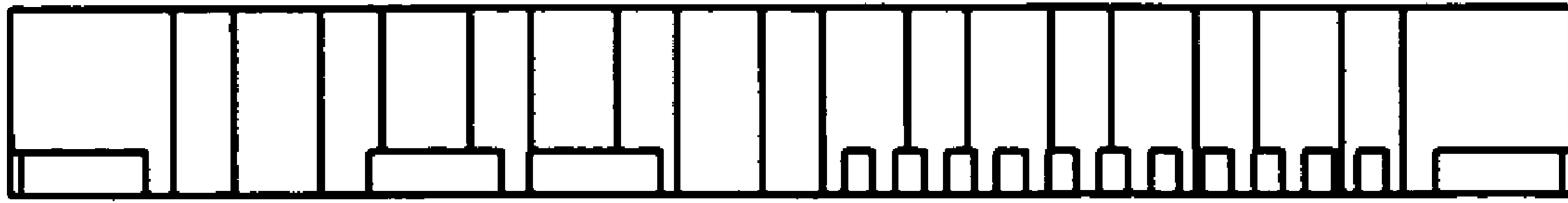


FIG. 3

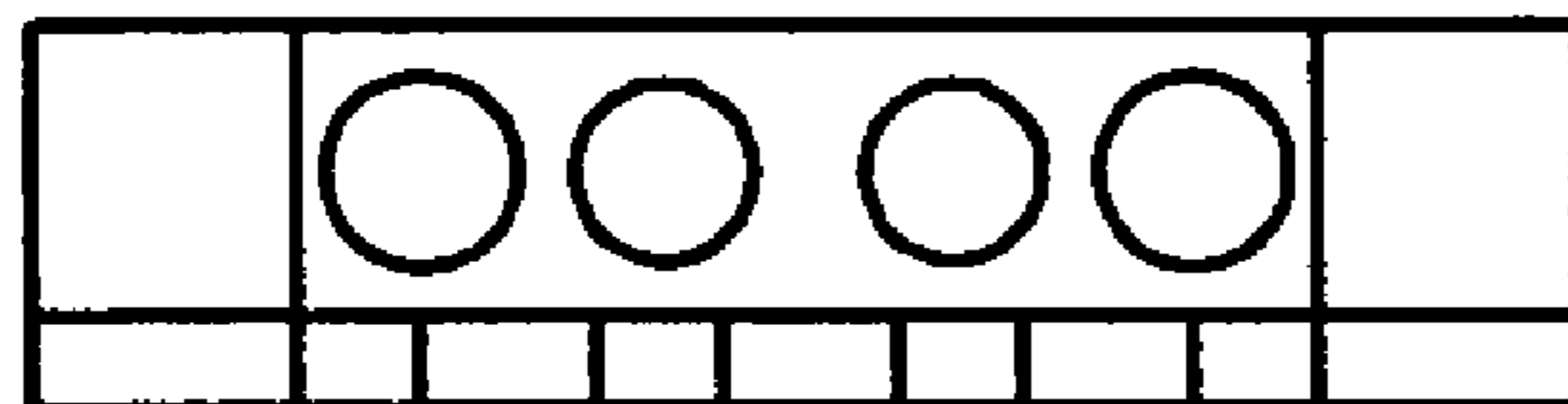


FIG. 4

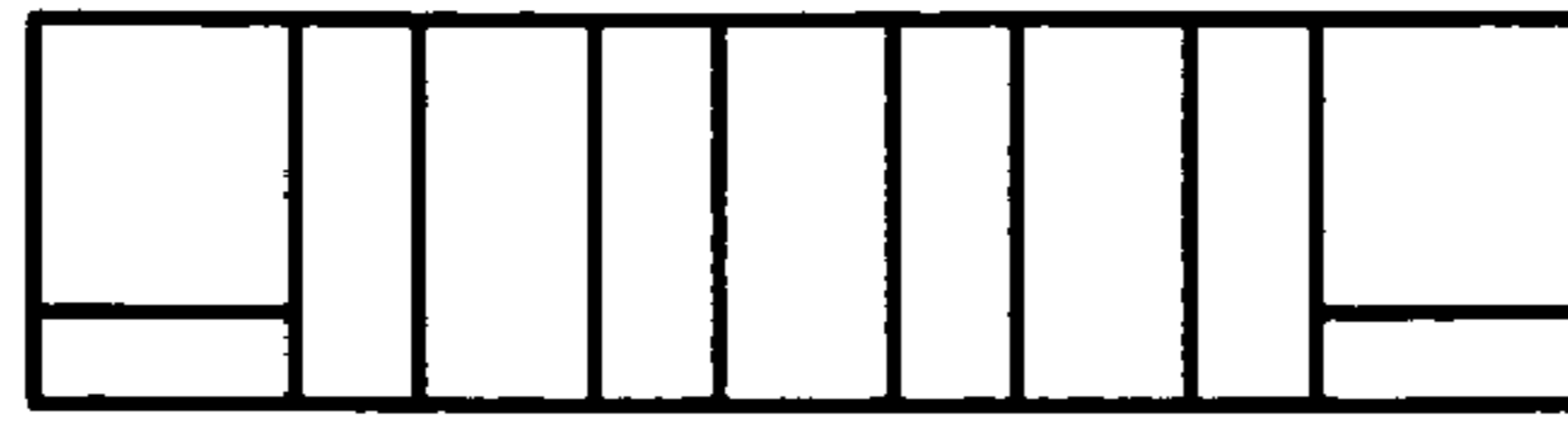


FIG. 5

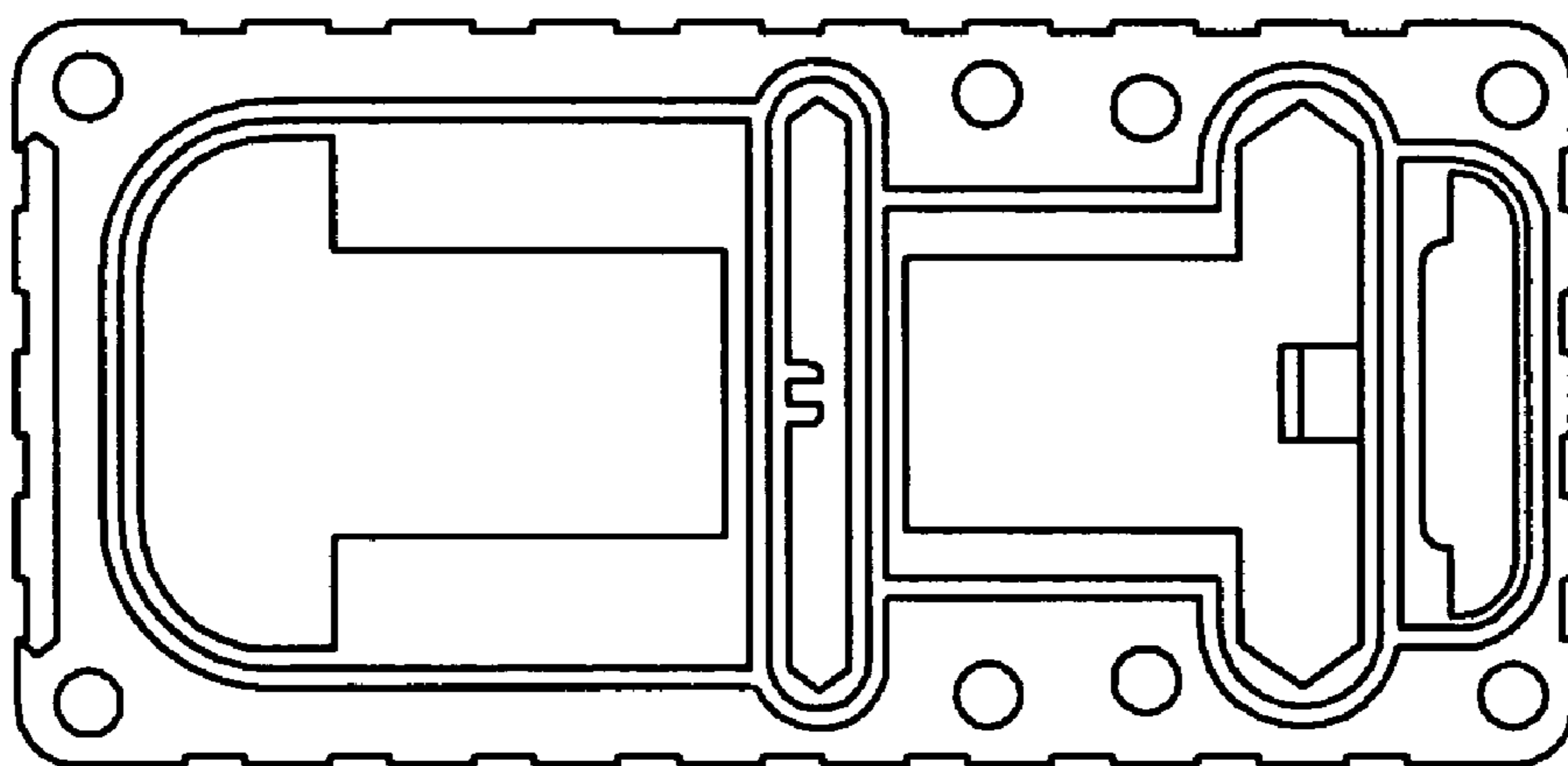


FIG. 6

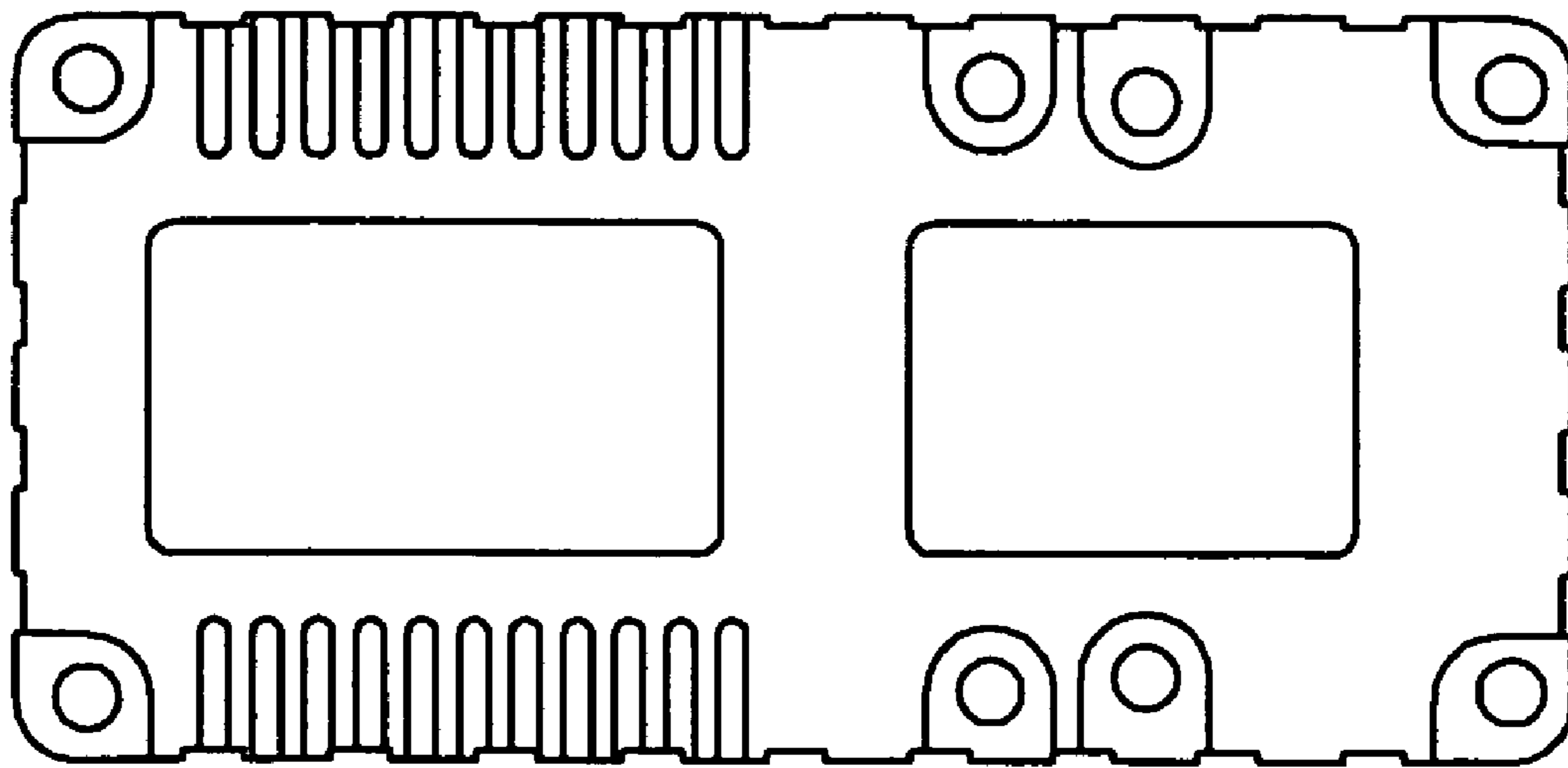


FIG. 7

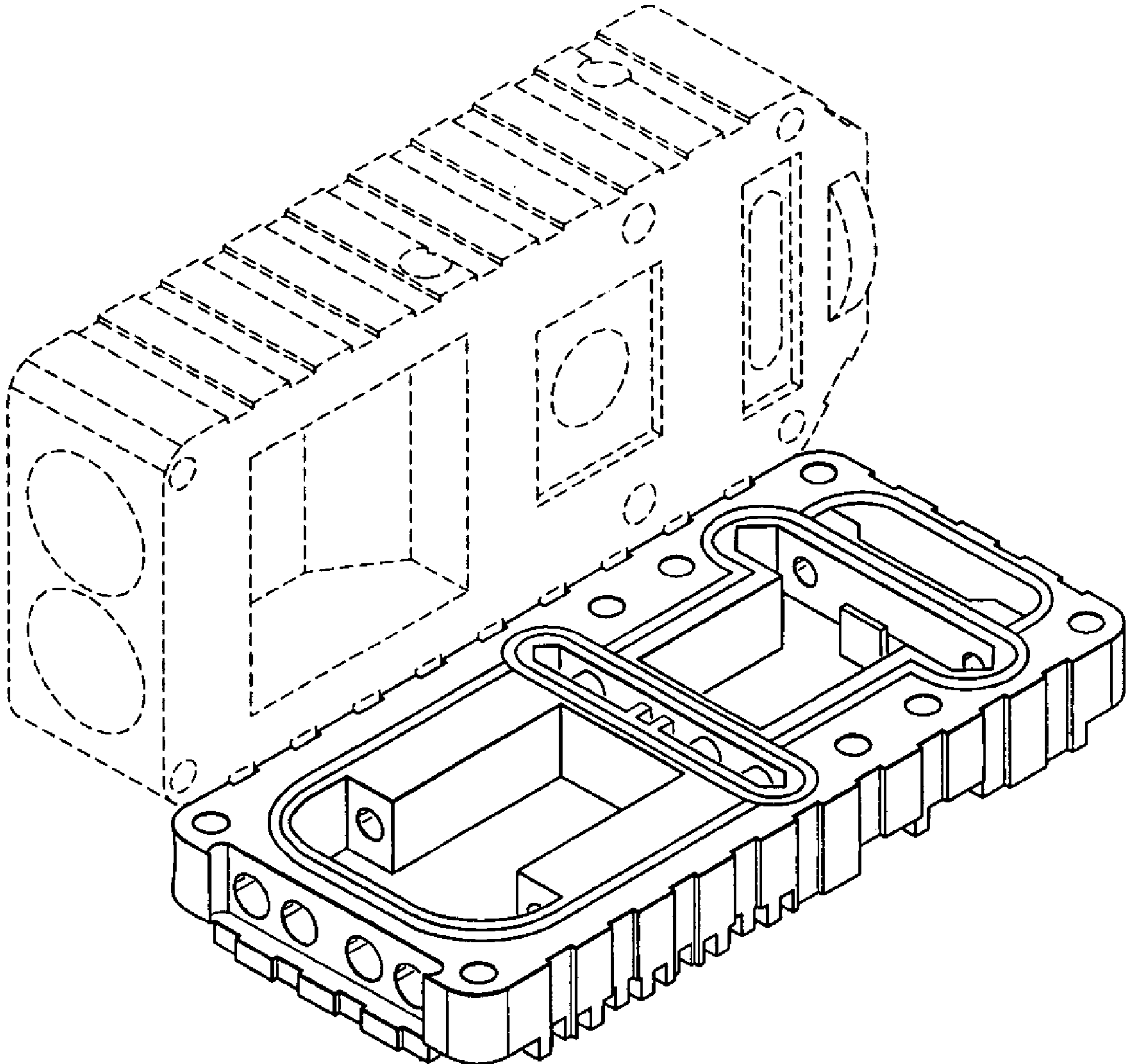


FIG. 8