



US00D557717S

(12) **United States Design Patent**  
**Chen**

(10) **Patent No.:** **US D557,717 S**

(45) **Date of Patent:** **\*\* Dec. 18, 2007**

(54) **MUG PRESS**

5,997,678 A \* 12/1999 Wess et al. .... 156/240  
6,230,774 B1 5/2001 Ward

(75) Inventor: **Junming Chen**, Beijing (CN)

\* cited by examiner

(73) Assignee: **Photo USA Corporation**, Sunnyvale,  
CA (US)

*Primary Examiner*—Antoine D. Davis

*Assistant Examiner*—Patricia Palasik

(\*\*) Term: **14 Years**

(74) *Attorney, Agent, or Firm*—Daniel P. Burke &  
Associates, PLLC

(21) Appl. No.: **29/271,777**

(57) **CLAIM**

(22) Filed: **Jan. 26, 2007**

The ornamental design for a mug press, as shown and  
described.

(51) **LOC (8) Cl.** ..... **15-09**

(52) **U.S. Cl.** ..... **D15/144**

(58) **Field of Classification Search** .... D15/144–144.2,  
D15/146, 199; D19/35, 99; 101/9; 156/64,  
156/240, 308.2, 359, 384, 391, 481, 492,  
156/499, 579, 583.3, 583.4, 583.8  
See application file for complete search history.

**DESCRIPTION**

FIG. 1 is a top perspective view in a closed configuration  
with a mug shown in phantom showing my new design;

FIG. 2 is a top view with a mug shown in phantom thereof;

FIG. 3 is a bottom view thereof;

FIG. 4 is a rear view with a mug shown in phantom thereof;

FIG. 5 is a front view with a mug shown in phantom thereof;

FIG. 6 is a left side view with a mug shown in phantom  
thereof;

FIG. 7 is a right side view with a mug shown in phantom  
thereof; and,

FIG. 8 is a top perspective view in an open configuration.

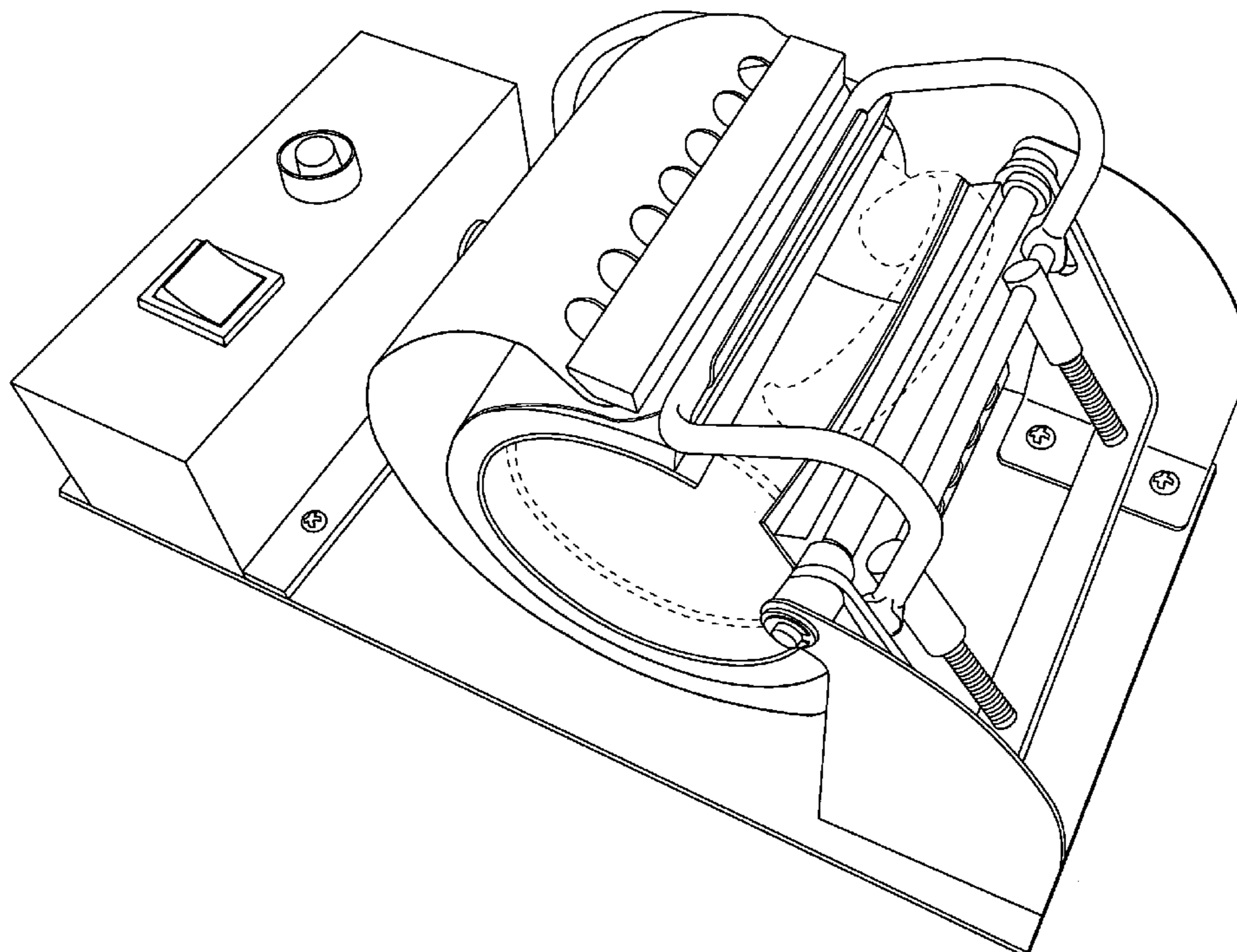
The broken line showing of the mug is included for the  
purpose of illustrating environment and forms no part of the  
claimed design.

(56) **References Cited**

U.S. PATENT DOCUMENTS

3,547,743	A	12/1970	Turner	
4,058,055	A	11/1977	Douglas	
4,108,713	A	8/1978	Weisz	
4,311,549	A	1/1982	Vercillo	
5,019,193	A	5/1991	Aramini	
5,584,961	A	12/1996	Ellsworth et al.	
5,630,894	A	5/1997	Koch et al.	
5,755,921	A	5/1998	Christensen	
5,802,969	A *	9/1998	Wess et al. ....	101/9
5,876,547	A *	3/1999	Kiesow et al. ....	156/215
5,885,410	A	3/1999	Berkan	

**1 Claim, 7 Drawing Sheets**



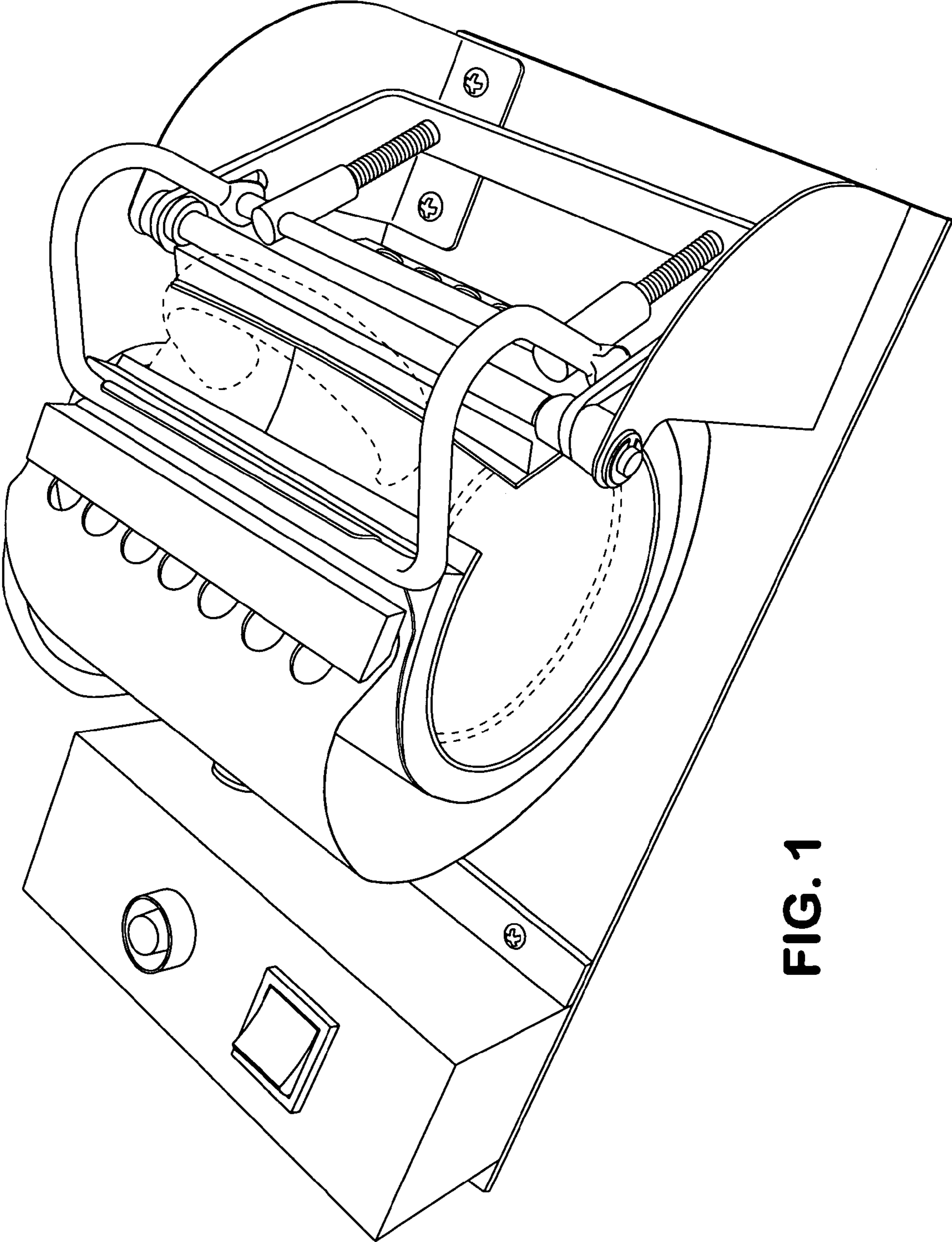
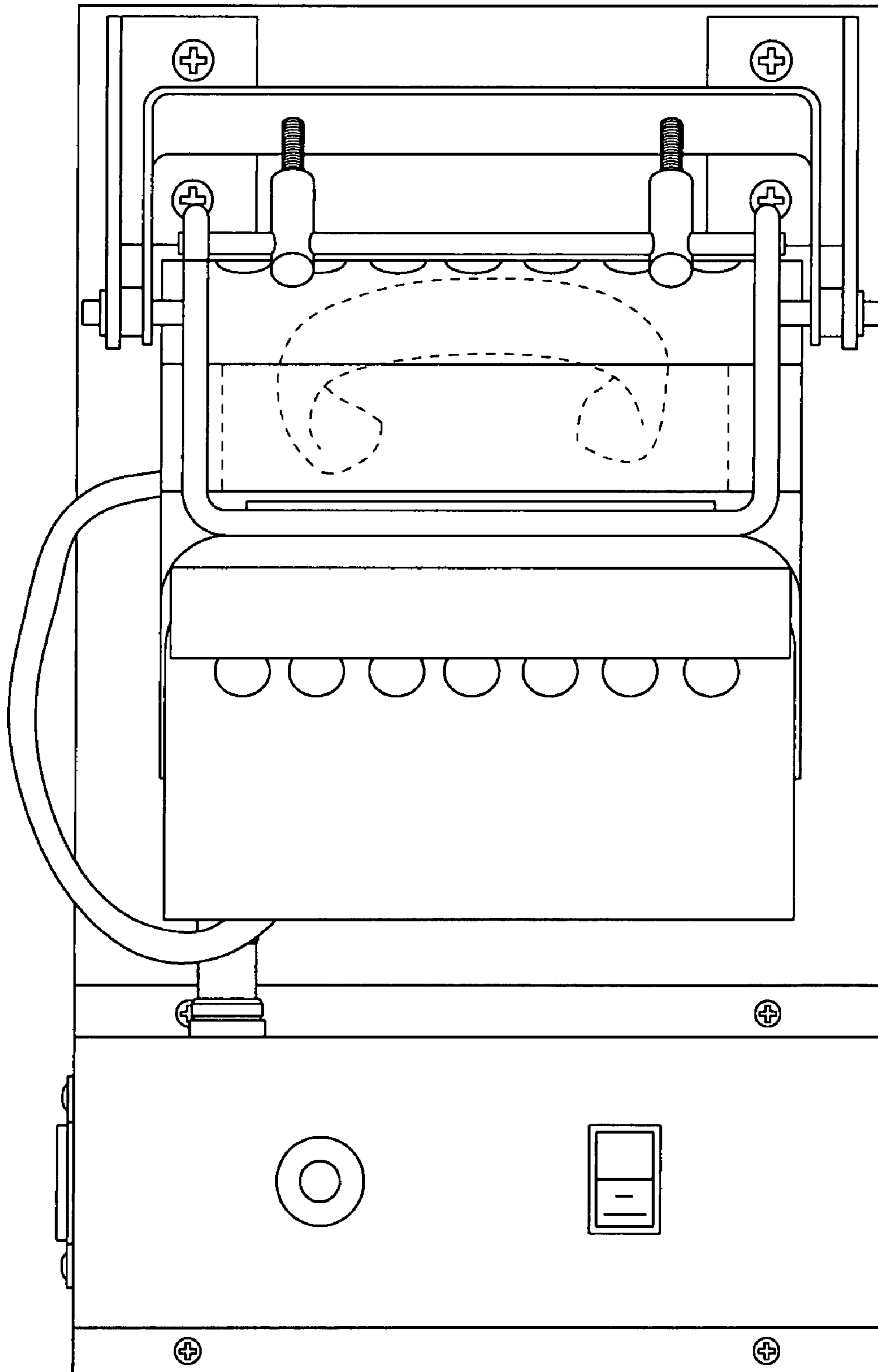
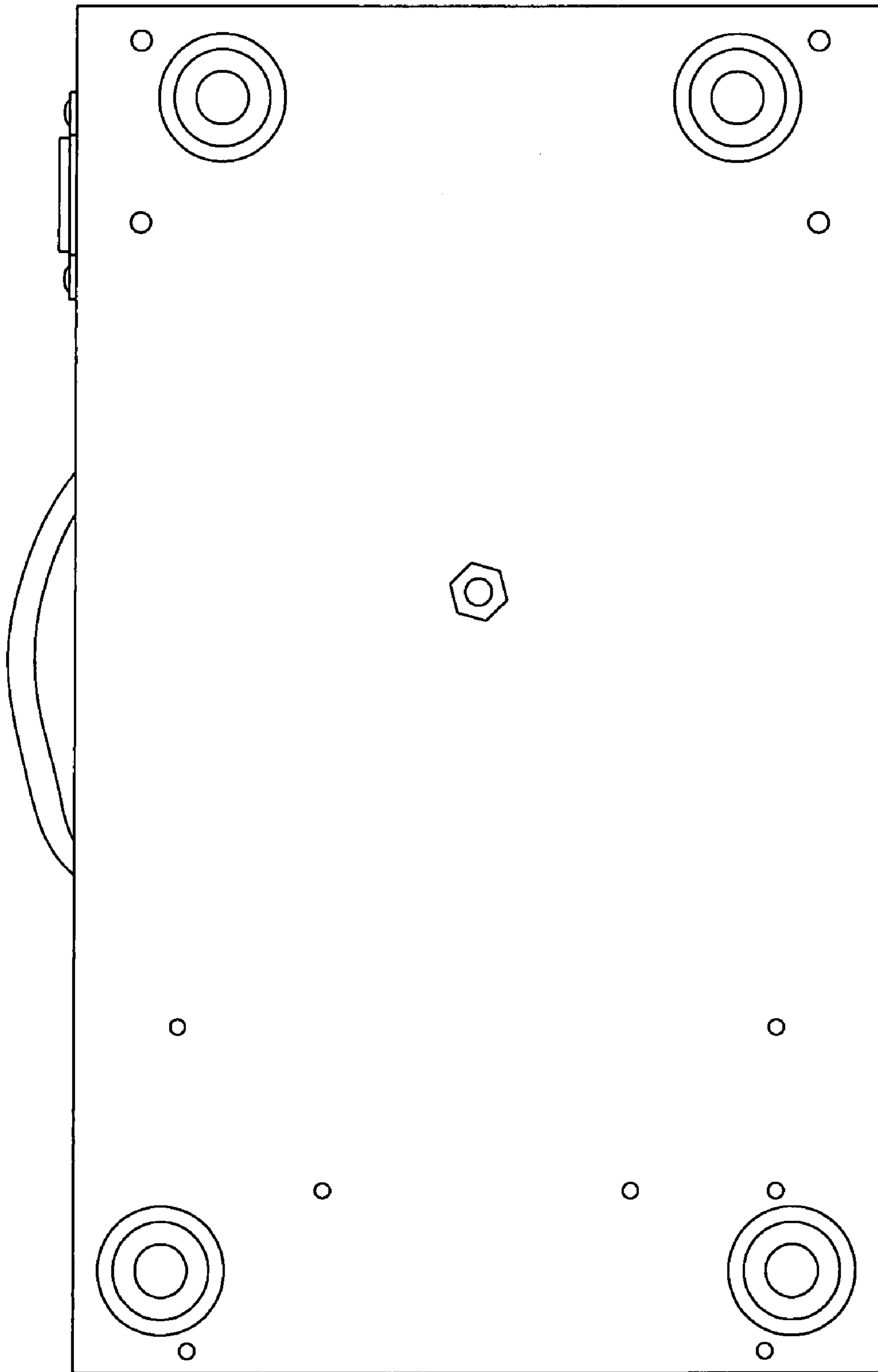


FIG. 1



**FIG. 2**



**FIG. 3**

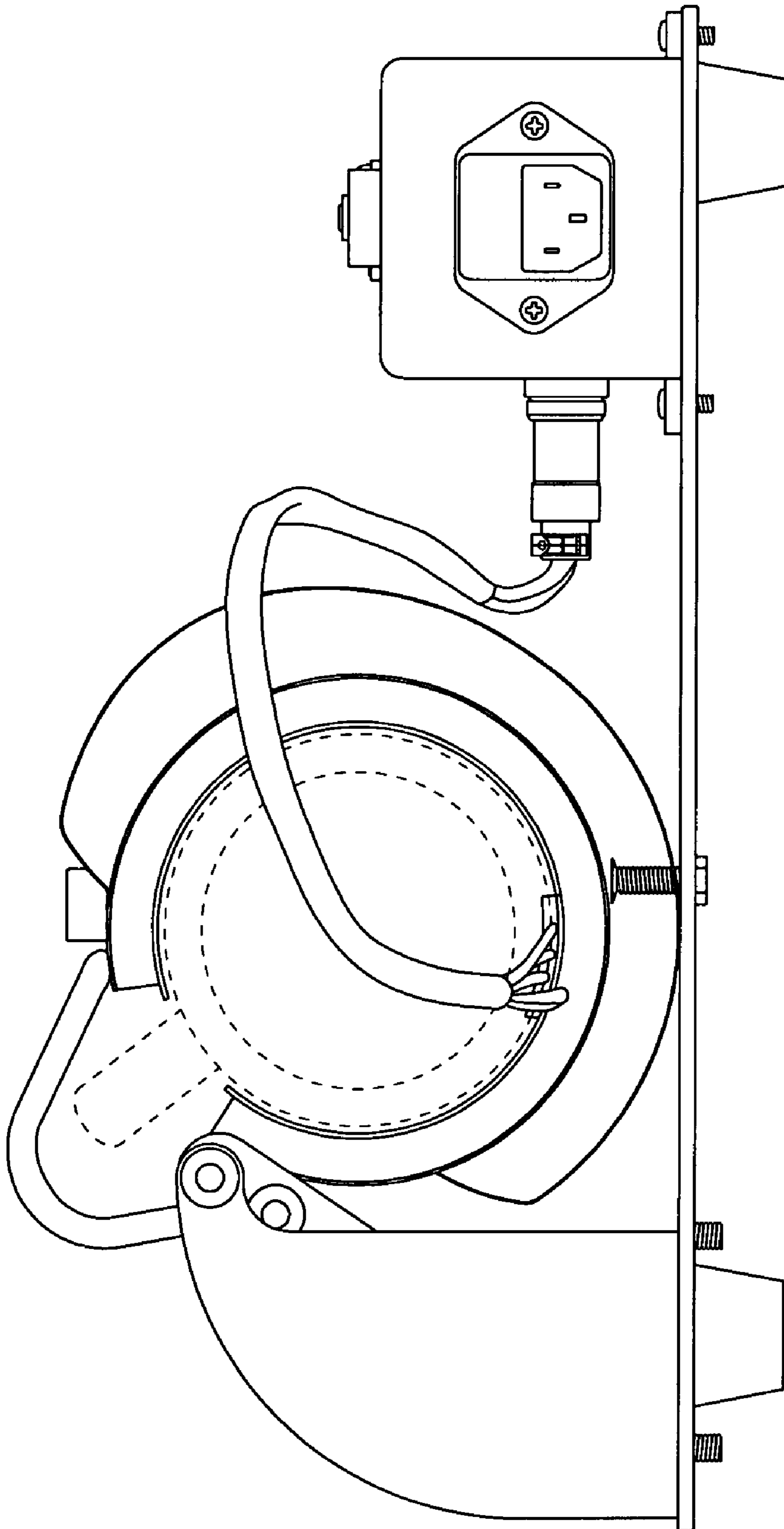


FIG. 4

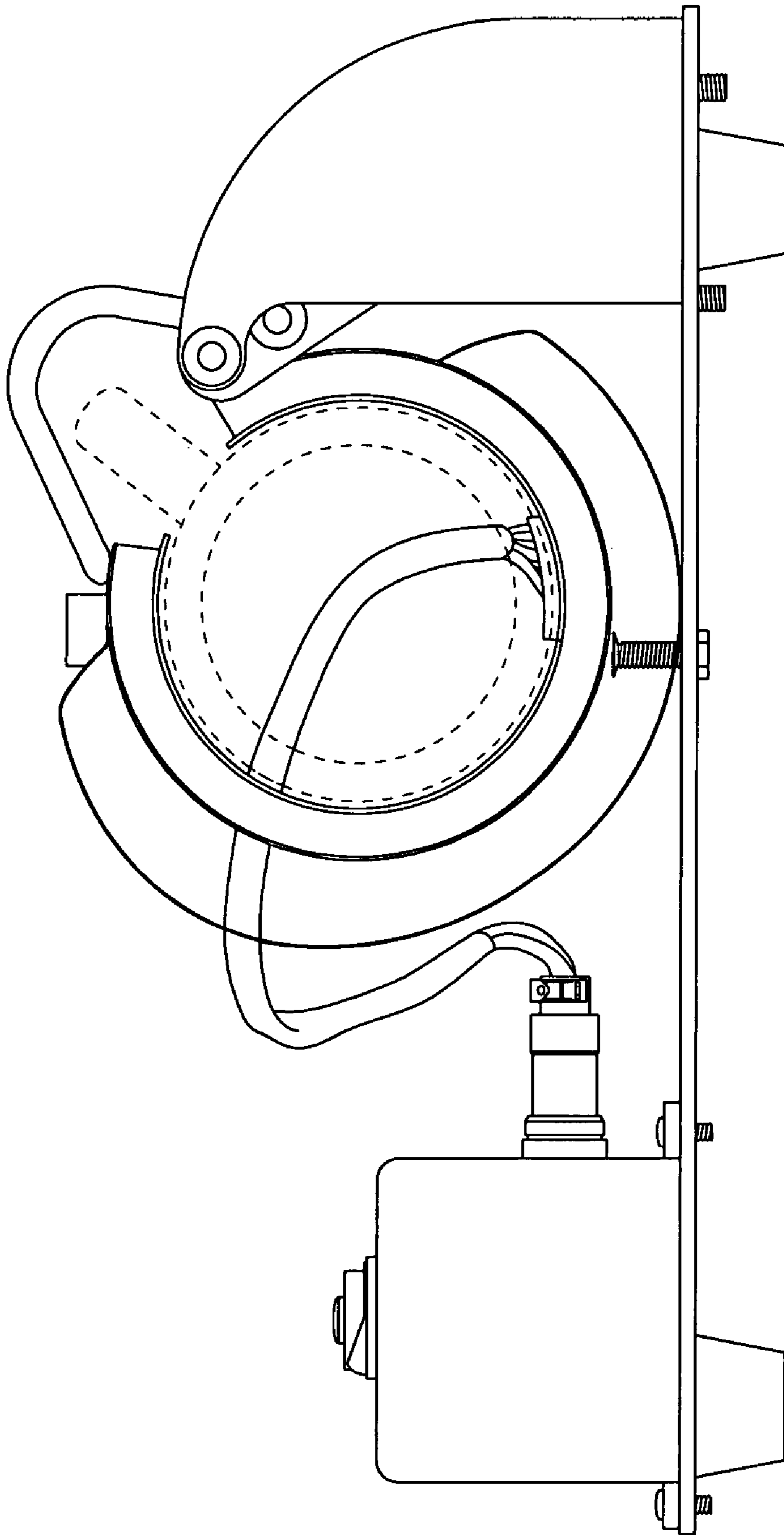
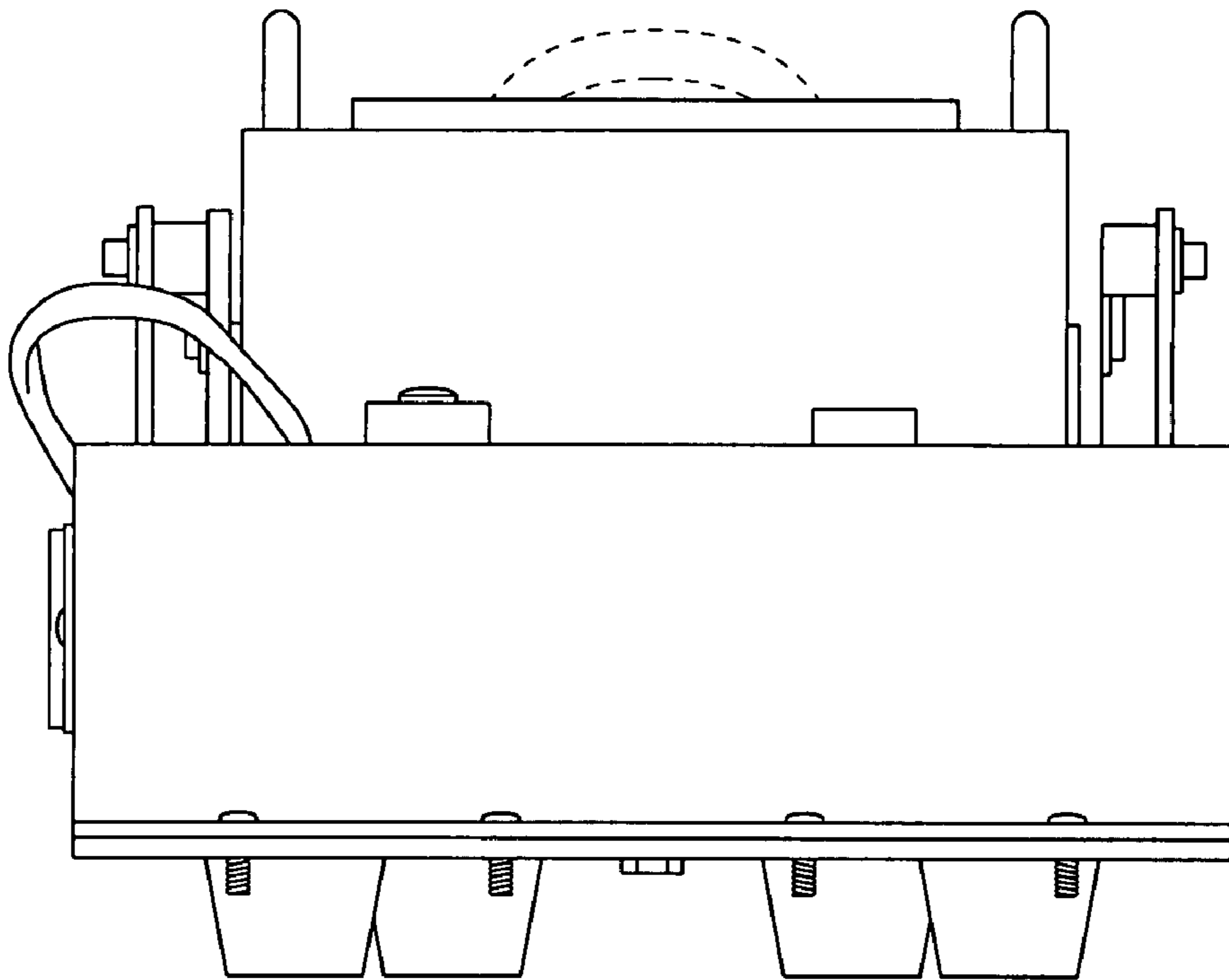
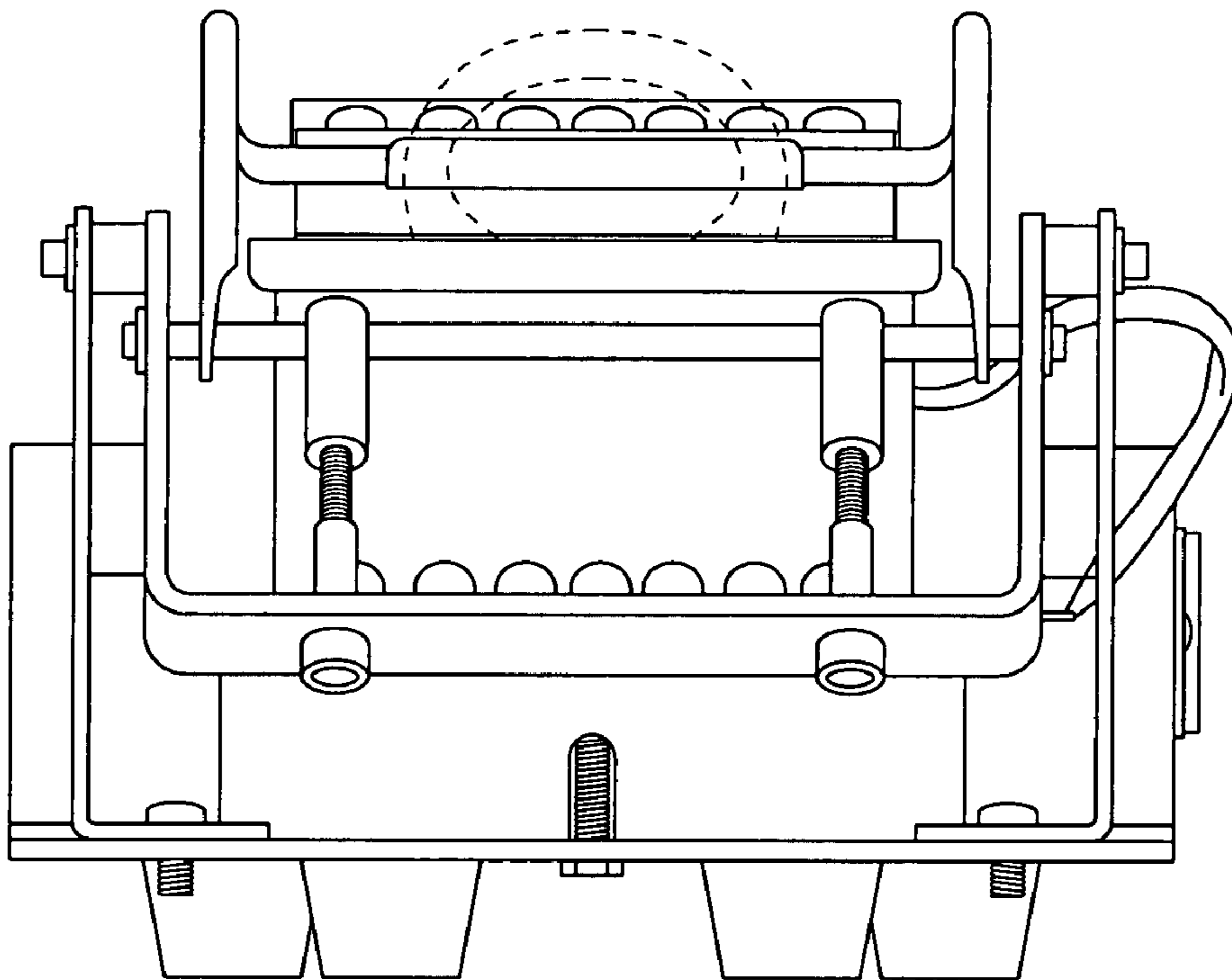


FIG. 5



**FIG. 6**



**FIG. 7**

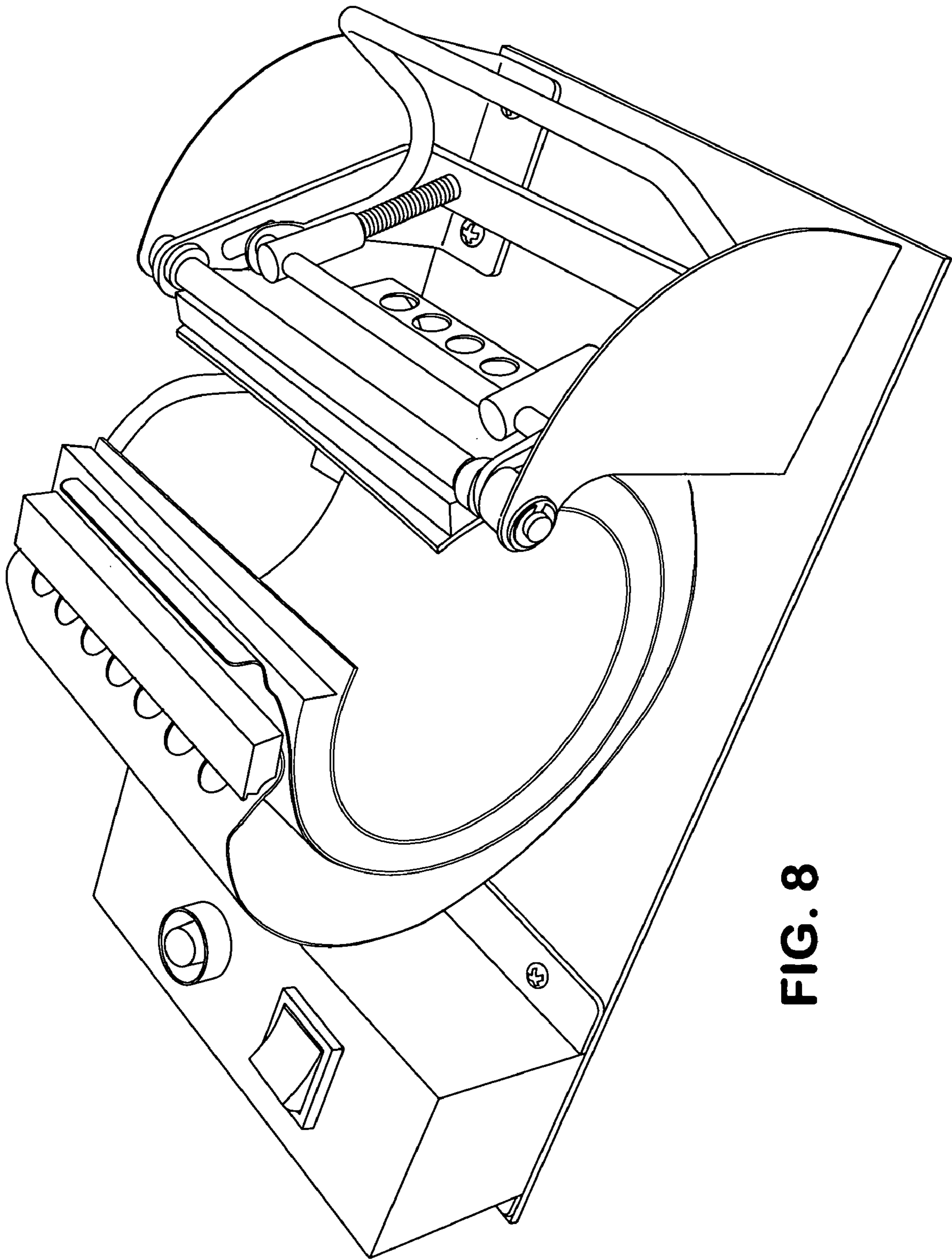


FIG. 8