



US00D557715S

(12) **United States Design Patent**
Merghani et al.

(10) **Patent No.:** **US D557,715 S**

(45) **Date of Patent:** **** Dec. 18, 2007**

(54) **DRIVE UNIT PORTION OF A MOTOR GRADER**

(75) Inventors: **Mazin M. Merghani**, Decatur, IL (US);
Ryan Rouderbush, Byron, MN (US)

(73) Assignee: **Caterpillar Inc.**, Peoria, IL (US)

(**) Term: **14 Years**

(21) Appl. No.: **29/259,027**

(22) Filed: **May 2, 2006**

(51) **LOC (8) Cl.** **15-03**

(52) **U.S. Cl.** **D15/33; D15/23**

(58) **Field of Classification Search** D15/10-12,
D15/19, 21-23, 28, 30-33; 180/238, 264,
180/267, 420; 172/781-785, 1, 788, 776,
172/790, 430, 611, 792; D21/537

See application file for complete search history.

(56) **References Cited**

U.S. PATENT DOCUMENTS

2,081,536	A *	5/1937	Gustafson	172/793
D184,216	S *	1/1959	Erlacher et al.	D15/23
D188,840	S *	9/1960	Beyer et al.	D15/23
2,965,990	A *	12/1960	Colee	172/4.5
3,049,819	A *	8/1962	Cohron et al.	37/430
3,197,188	A *	7/1965	Moore	267/175
3,327,413	A *	6/1967	Brinkmeyer et al.	172/785
3,450,213	A *	6/1969	Hanser et al.	172/785
3,454,109	A *	7/1969	Roberts	172/781
3,527,315	A *	9/1970	Hampton	180/238
3,831,693	A *	8/1974	King	180/14.4
3,858,661	A *	1/1975	Hallam et al.	172/1
3,889,976	A *	6/1975	Jesswein	280/400
D238,955	S *	2/1976	Peterson	D21/537
3,976,146	A *	8/1976	Desourdy	172/788
4,213,507	A *	7/1980	Horrer et al.	172/784

D275,107	S *	8/1984	Crabiel et al.	D15/25
4,535,860	A *	8/1985	Waggoner	180/24.05
4,679,634	A *	7/1987	Bulmahn	172/250
4,696,486	A *	9/1987	Ruhter	280/400
5,474,147	A *	12/1995	Yesel et al.	180/197
6,230,818	B1 *	5/2001	Slunder	172/789
D500,056	S *	12/2004	DeYoung et al.	D15/33
6,854,523	B2 *	2/2005	Takahashi	172/3
2002/0060081	A1 *	5/2002	Mogugan	172/4.5
2003/0221845	A1 *	12/2003	Takahashi	172/3
2004/0149463	A1 *	8/2004	Maeda et al.	172/297
2005/0252669	A1 *	11/2005	LaReau et al.	172/776

* cited by examiner

Primary Examiner—Stella M. Reid

Assistant Examiner—Mark Goodwin

(74) *Attorney, Agent, or Firm*—Finnegan, Henderson, Farabow, Garrett & Dunner

(57) **CLAIM**

The ornamental design for a drive unit portion of a motor grader, as shown and described.

DESCRIPTION

FIG. 1 is a top left rear perspective view of a drive unit portion of a motor grader showing our new design;

FIG. 2 is a right side view thereof;

FIG. 3 is a left side view thereof;

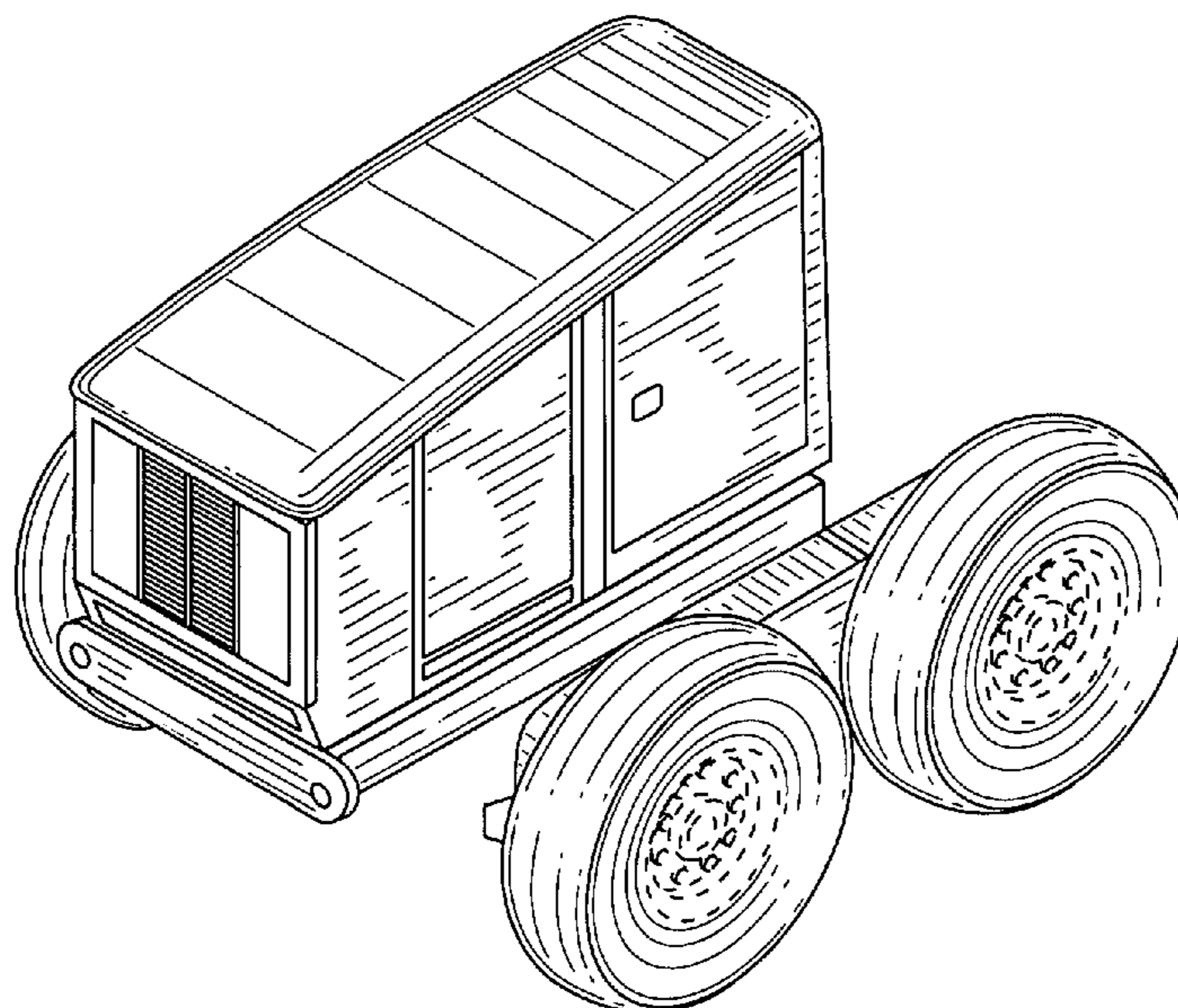
FIG. 4 is a rear view thereof;

FIG. 5 is a front view thereof; and,

FIG. 6 is a top view thereof.

The broken line showing of the interior detail of the wheels is included for the purpose of illustrating environmental structure and forms no part of the claimed invention.

1 Claim, 4 Drawing Sheets



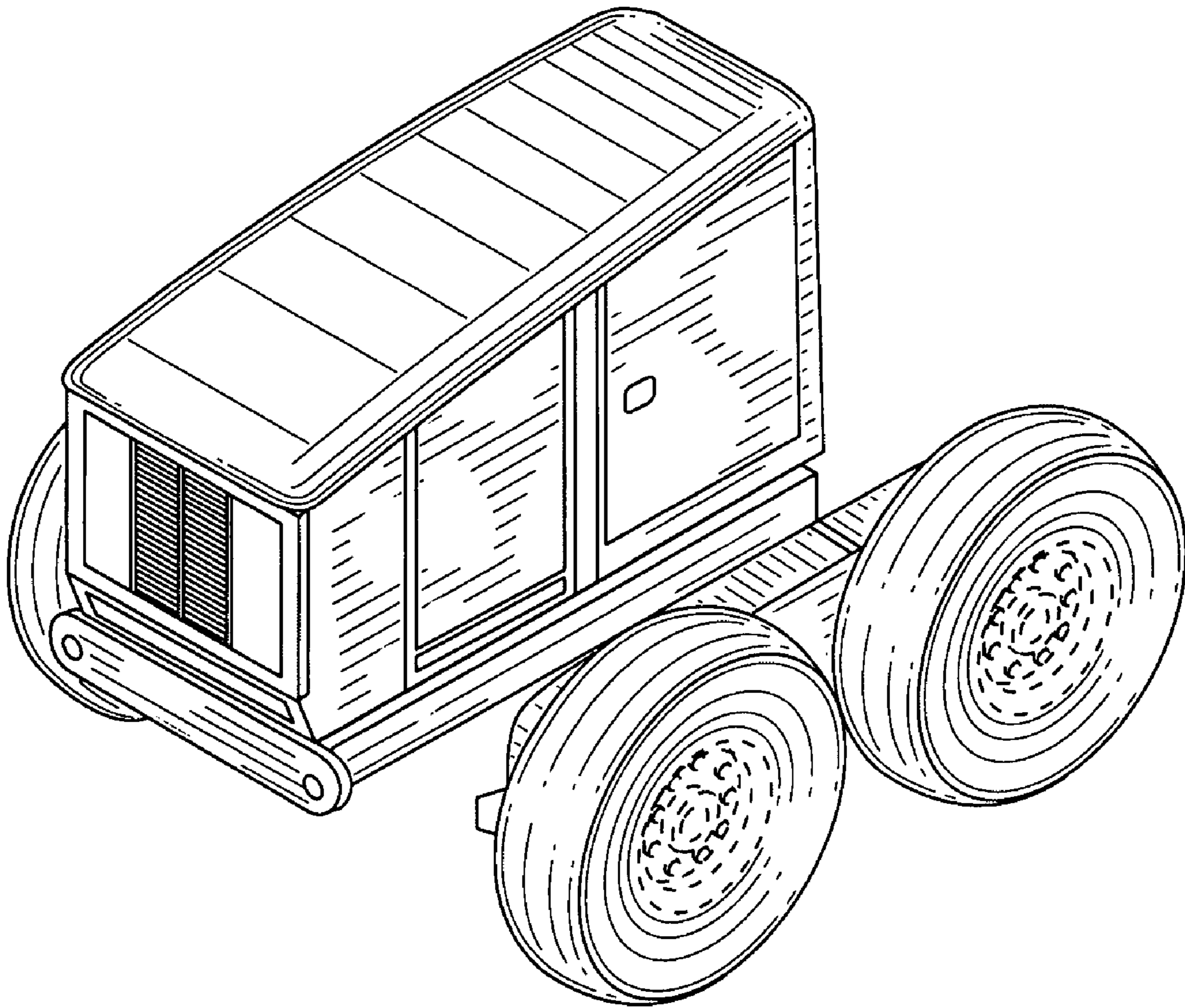


FIG. 1

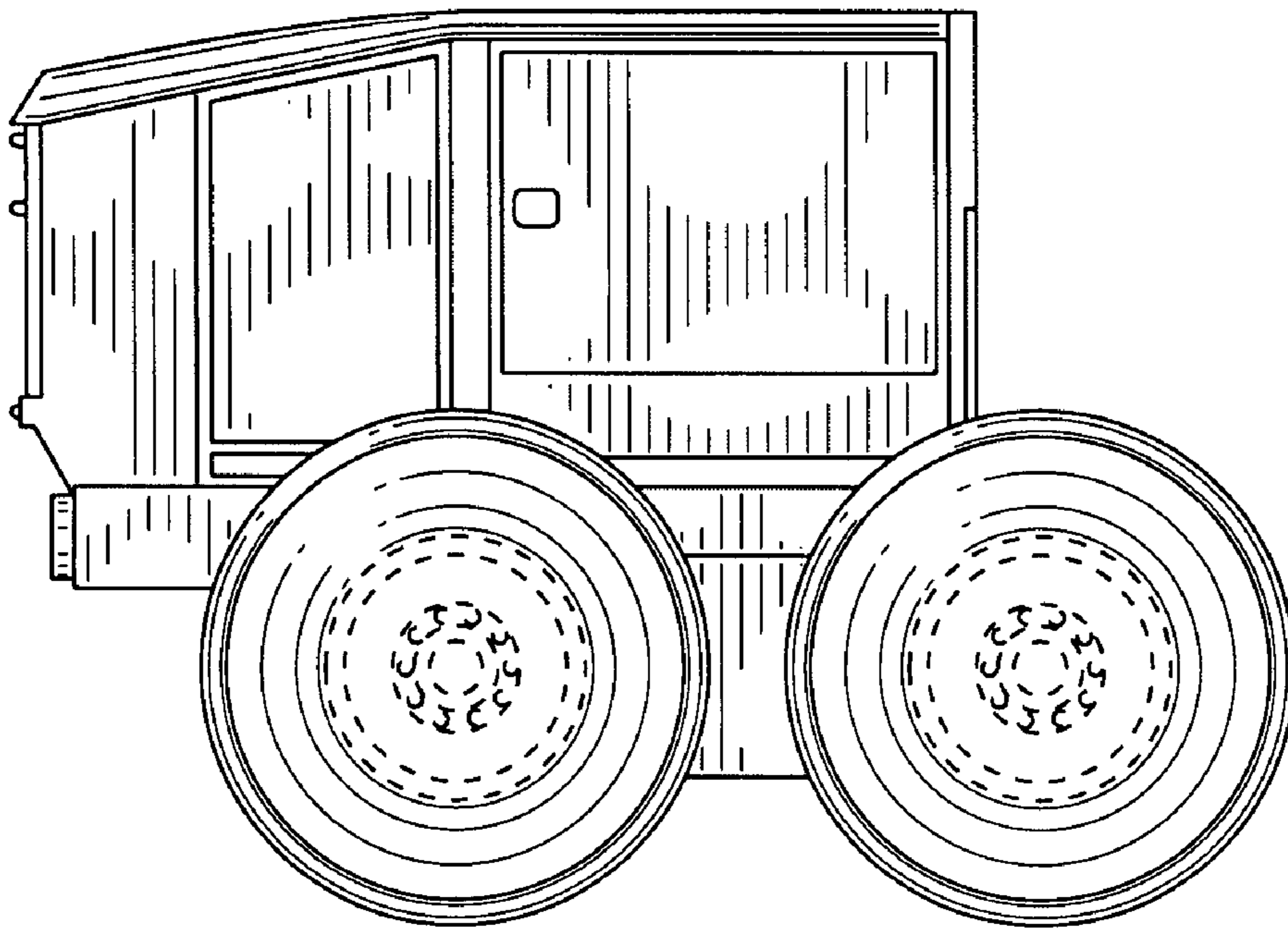


FIG. 2

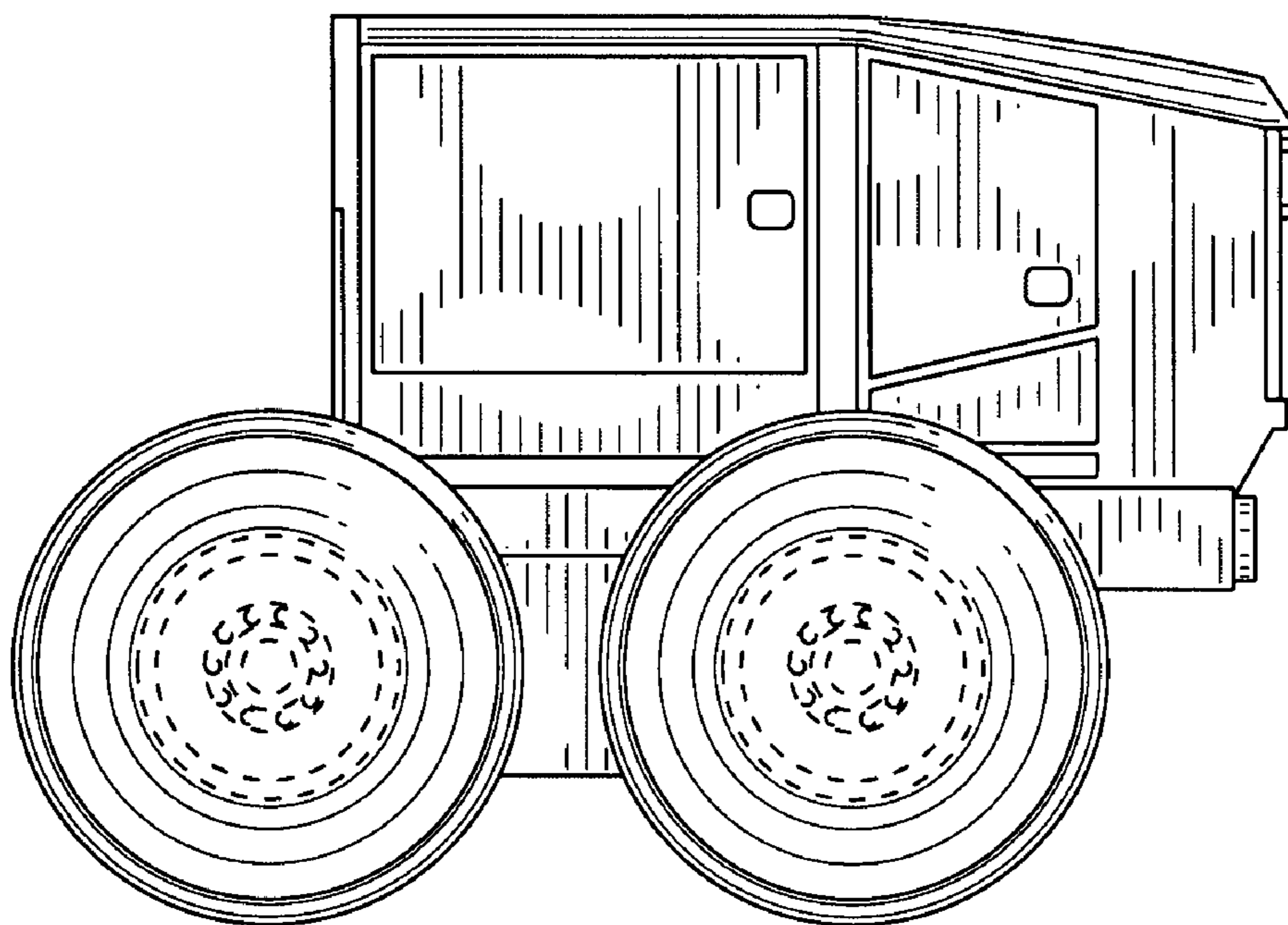


FIG. 3

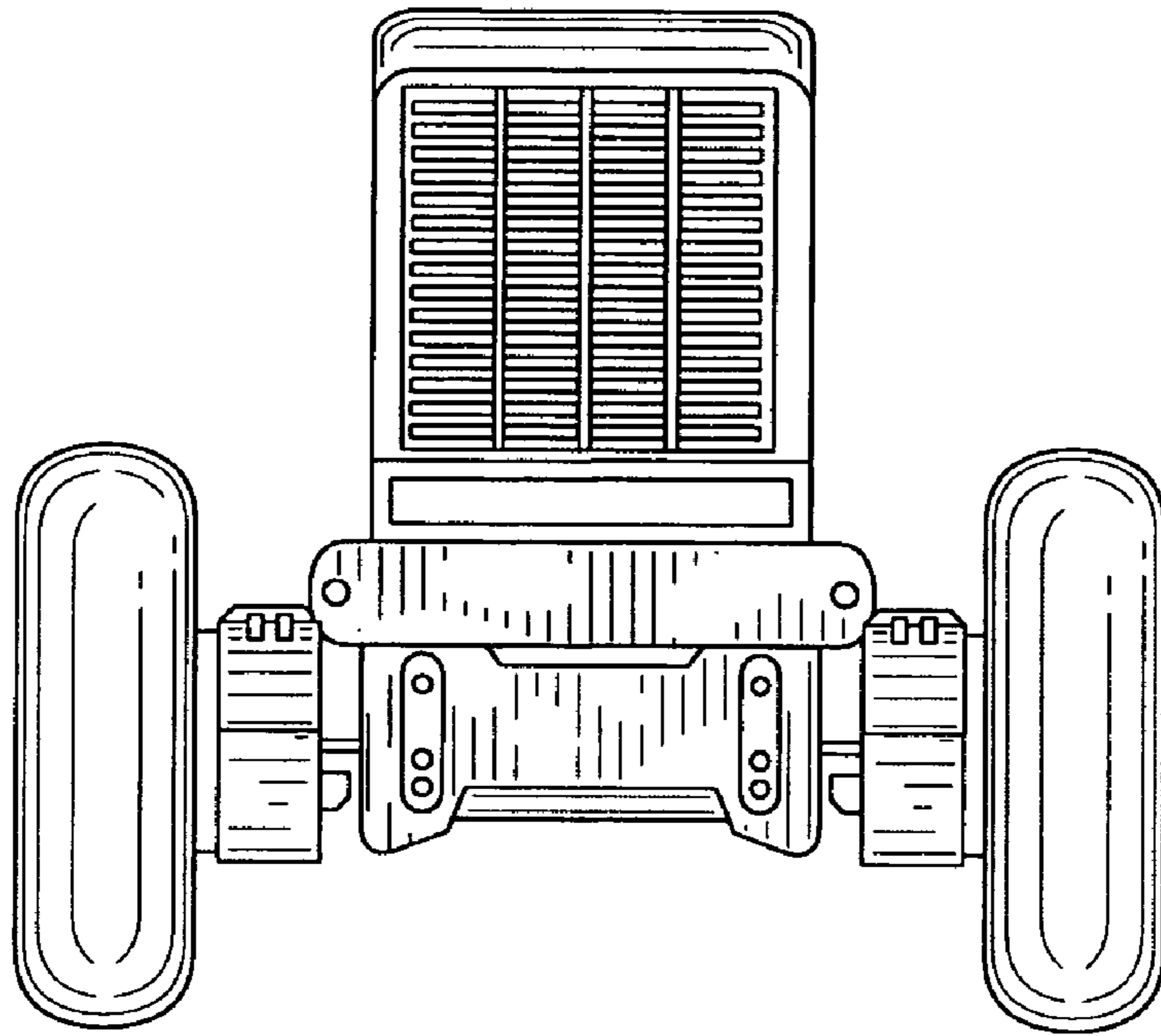


FIG. 4

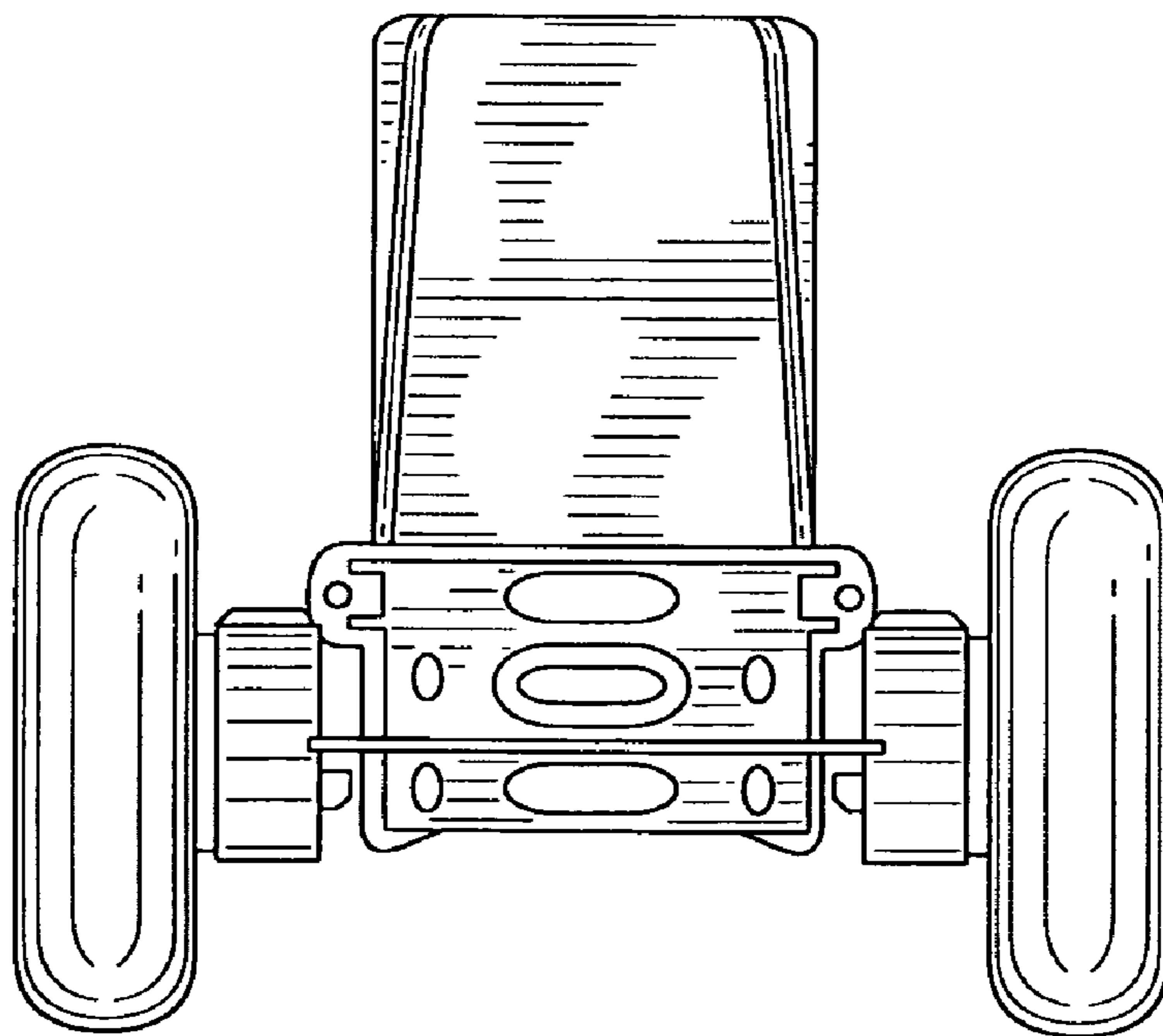


FIG. 5

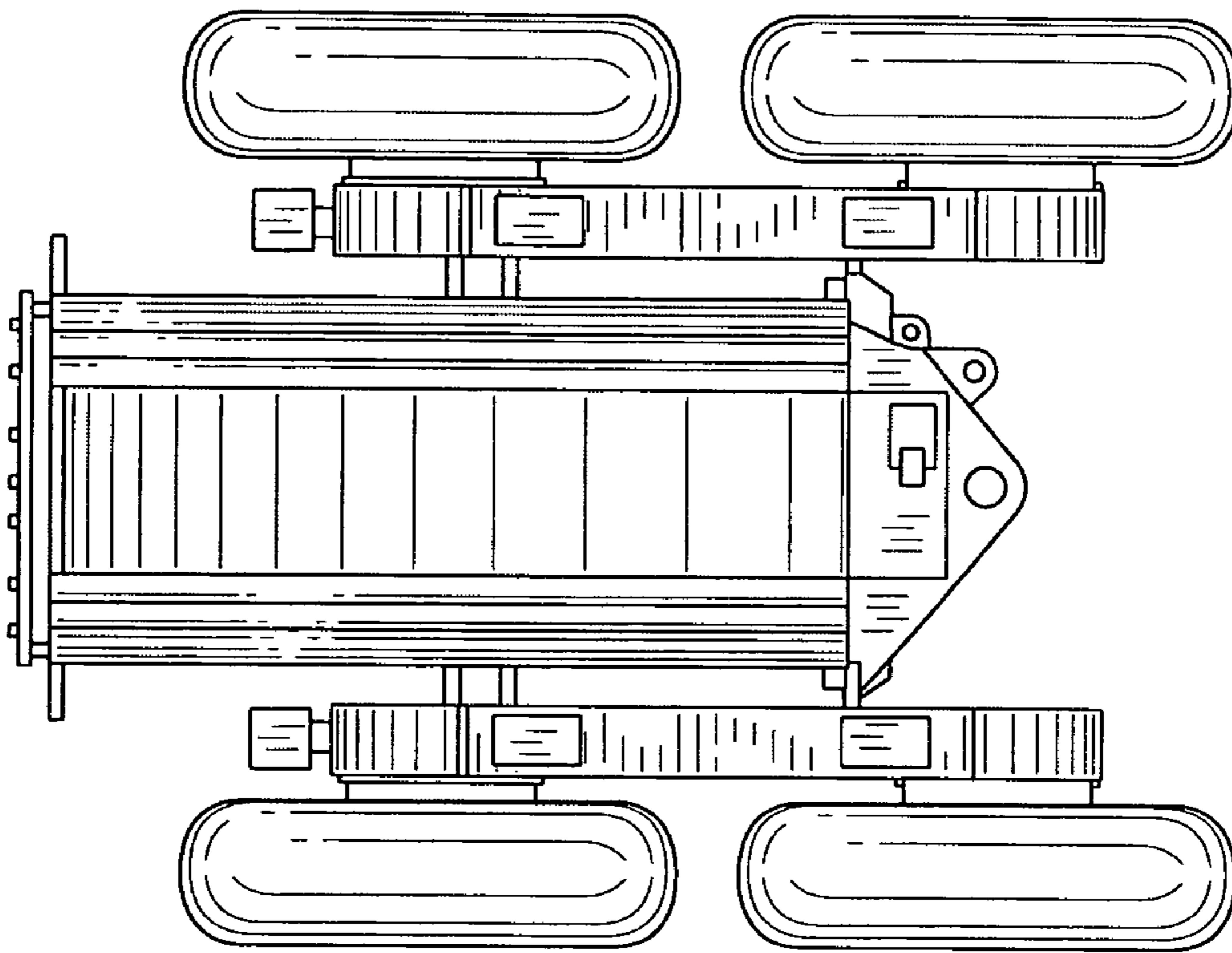


FIG. 6