



US00D557714S

(12) **United States Design Patent**
Higashikawa

(10) **Patent No.:** **US D557,714 S**

(45) **Date of Patent:** **** Dec. 18, 2007**

(54) **ENGINE HOOD FOR TRACTOR**

(75) Inventor: **Yoshitaka Higashikawa**, Sakai (JP)

(73) Assignee: **Kubota Corporation**, Osaka (JP)

(**) Term: **14 Years**

(21) Appl. No.: **29/266,357**

(22) Filed: **Sep. 19, 2006**

(30) **Foreign Application Priority Data**

Mar. 29, 2006 (JP) 2006-008014

(51) **LOC (8) Cl.** **15-03**

(52) **U.S. Cl.** **D15/31**

(58) **Field of Classification Search** D15/10,
D15/11, 13-17, 22-26, 31, 33; 180/89.1,
180/900, 89.12; 56/13.3, 13.4, 15.8, 15.9,
56/16.1, 16.7, 202, 255, 320.1
See application file for complete search history.

(56) **References Cited**

U.S. PATENT DOCUMENTS

D297,330 S *	8/1988	Monehaie et al.	D15/31
D381,341 S *	7/1997	Goebert et al.	D15/31
D383,470 S *	9/1997	Westimayer et al.	D15/31
D389,492 S *	1/1998	Schmidt et al.	D15/31
D413,905 S *	9/1999	Schmidt et al.	D15/31
D451,106 S *	11/2001	Crookes et al.	D15/31
D458,944 S *	6/2002	Crookes et al.	D15/31
D465,500 S *	11/2002	Workman et al.	D15/31

D474,206 S *	5/2003	Kuwae	D15/31
D483,383 S *	12/2003	Crookes et al.	D15/31
D488,488 S *	4/2004	Montgomery et al.	D15/31
D488,489 S *	4/2004	Montgomery et al.	D15/31
D495,344 S *	8/2004	Farlow et al.	D15/31
D495,345 S *	8/2004	Farlow et al.	D15/31
D497,370 S *	10/2004	Katoh	D15/31
D512,079 S *	11/2005	Farlow et al.	D15/31
D512,445 S *	12/2005	Farlow et al.	D15/31

* cited by examiner

Primary Examiner—Mitchell Siegel

Assistant Examiner—Mark Goodwin

(74) *Attorney, Agent, or Firm*—The Webb Law Firm

(57) **CLAIM**

The ornamental design for an engine hood for tractor, as shown and described.

DESCRIPTION

FIG. 1 is a front view the engine hood for tractor showing my new design;

FIG. 2 is a left side view thereof;

FIG. 3 is a right side view thereof;

FIG. 4 is a top plan view thereof; and,

FIG. 5 is a perspective view thereof.

The broken line showing in the headlamp region is included for the purpose of illustrating environmental structure and forms no part of the claimed design.

1 Claim, 5 Drawing Sheets

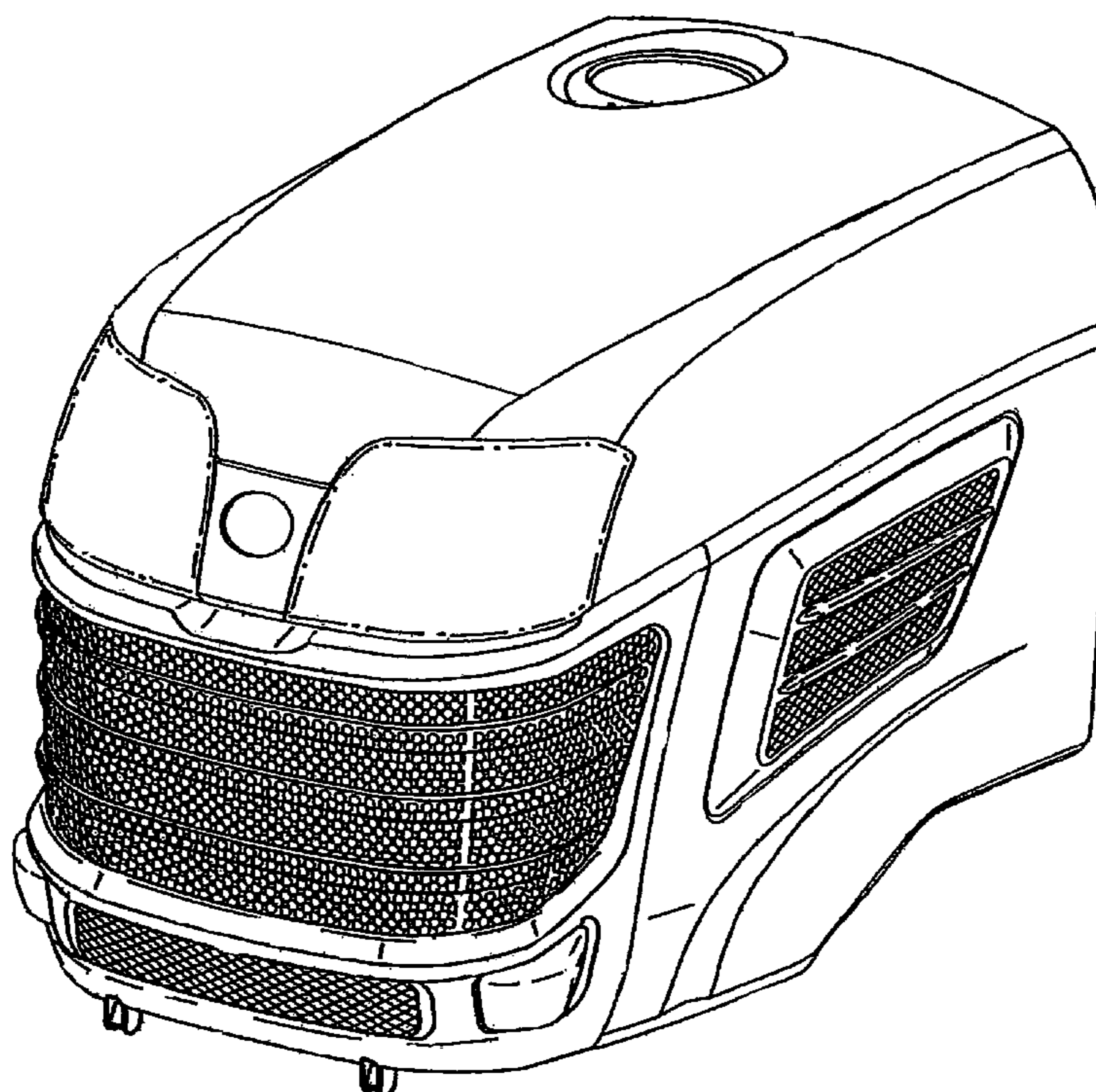


Fig. 1

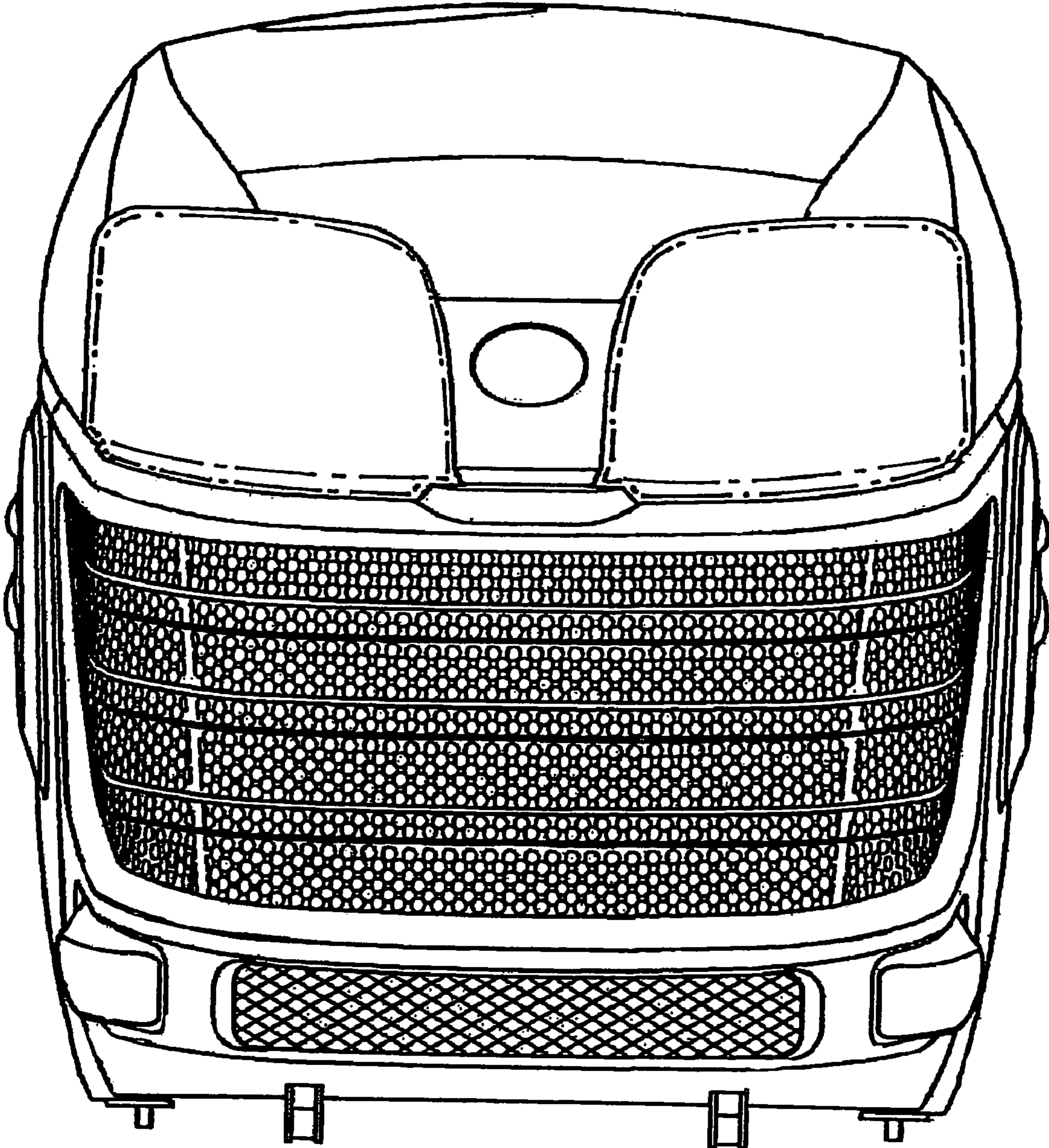


Fig. 2

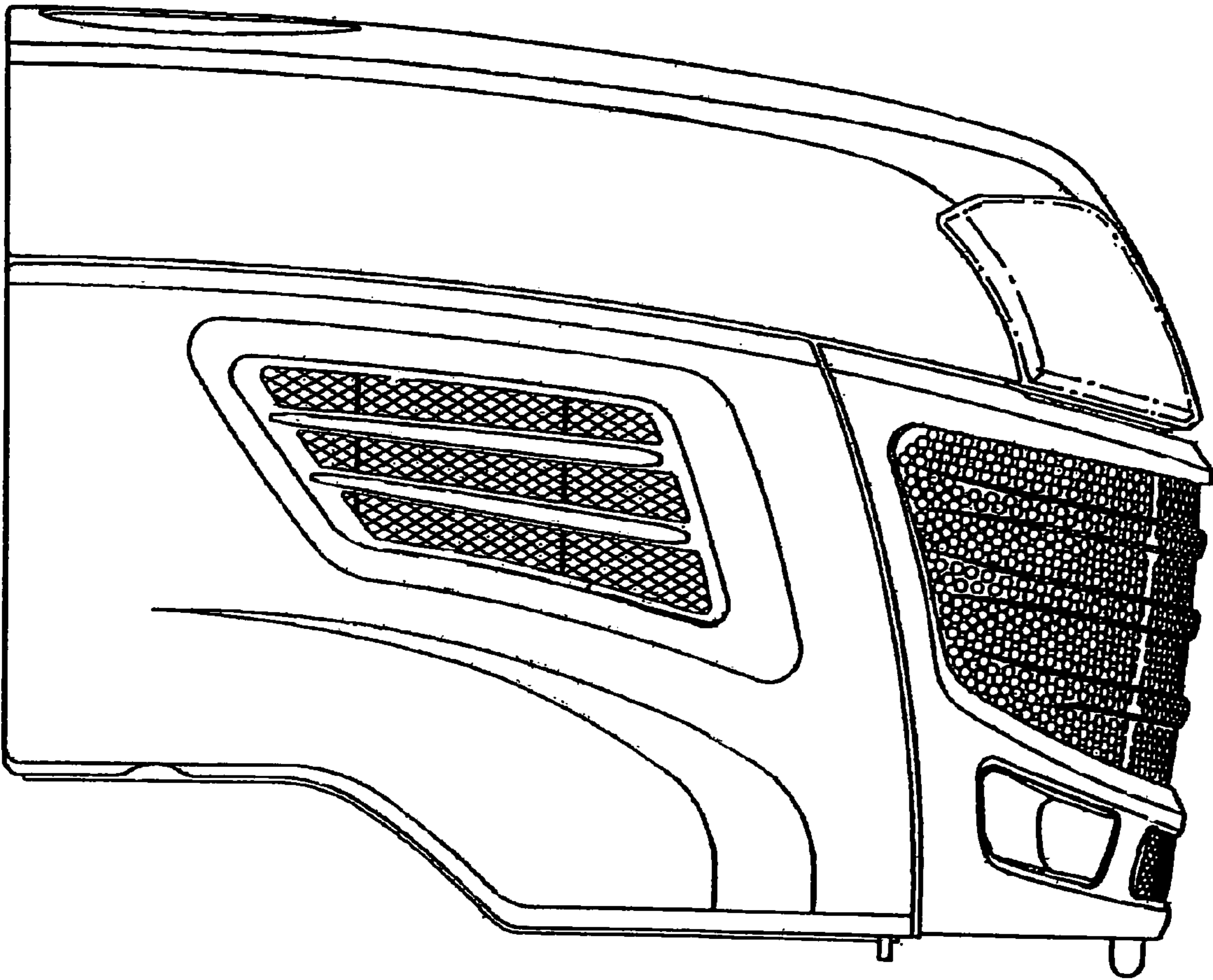


Fig. 3

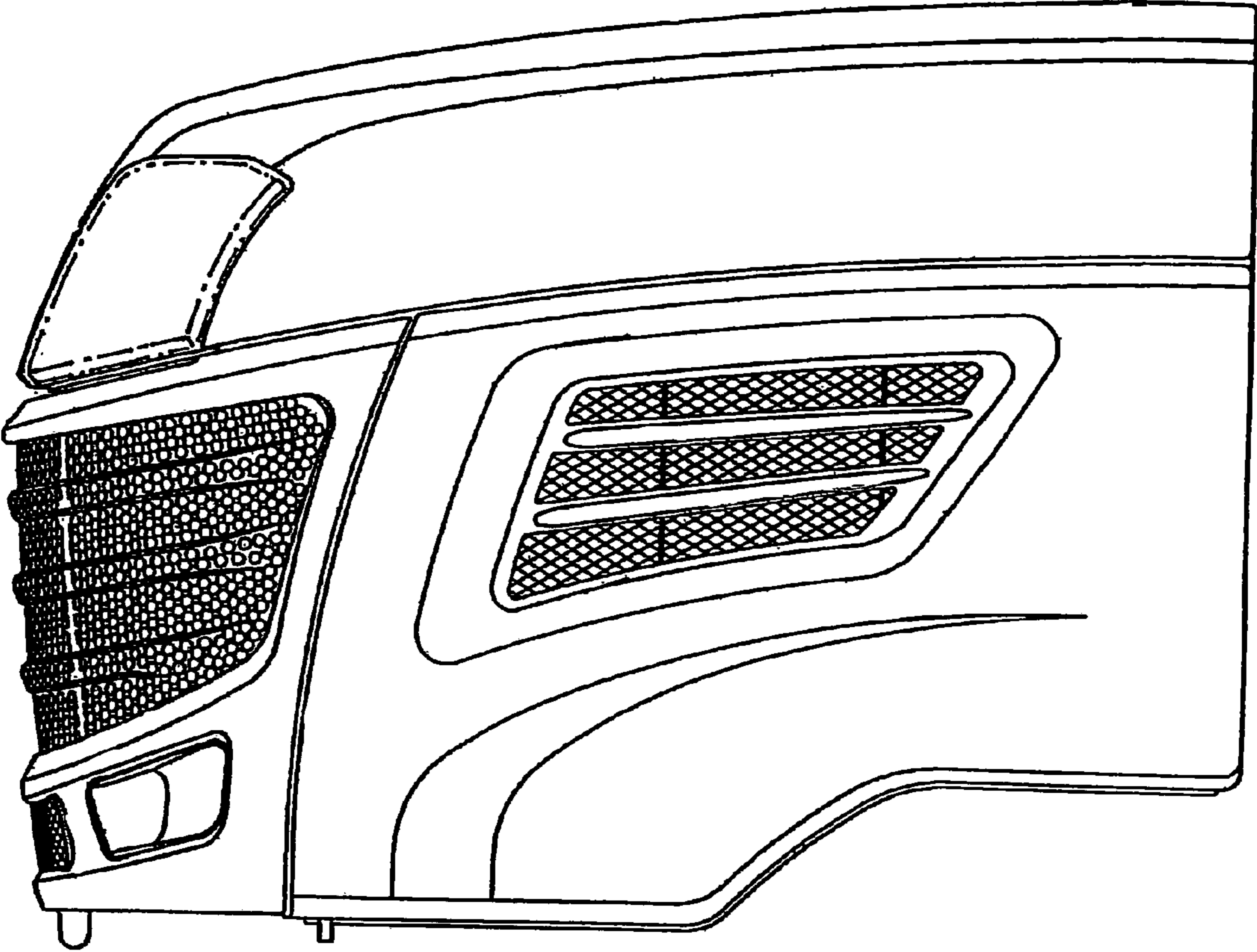


Fig. 4

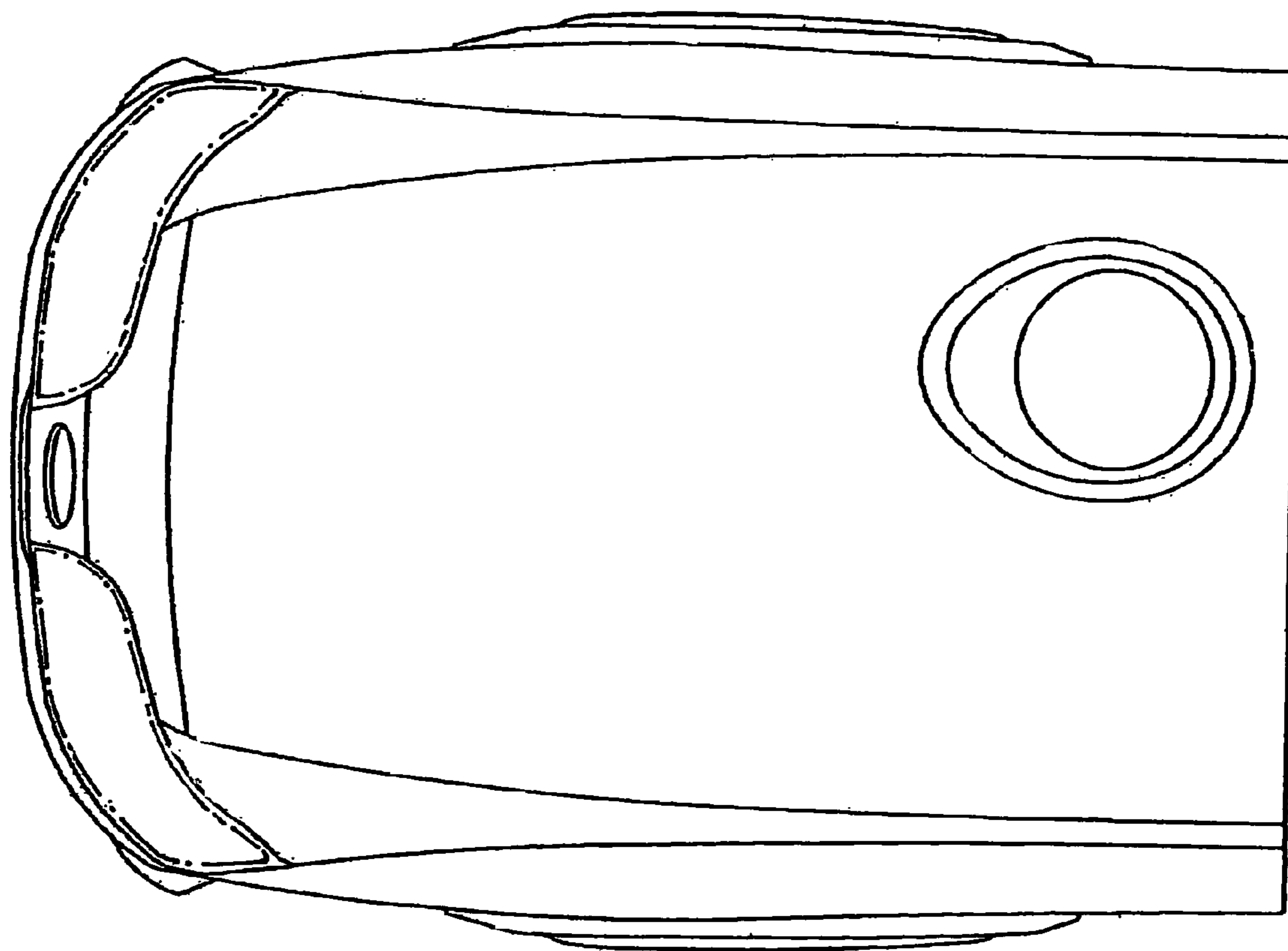


Fig. 5

