



US00D557711S

(12) **United States Design Patent**
Merghani et al.

(10) **Patent No.: US D557,711 S**

(45) **Date of Patent: ** *Dec. 18, 2007**

(54) **PORTION OF A MOTOR GRADER**

(75) Inventors: **Mazin M. Merghani**, Decatur, IL (US);
Chad Stollenwerk, Decatur, IL (US);
Sarath B. Chirumamila, Decatur, IL
(US); **Jeffrey A. Brush**, Dunlap, IL
(US); **Craig B. Kelley**, Dunlap, IL
(US); **Michael T. Balthes**, Mt. Pleasant,
SC (US); **Ashley D. Menges**, Peoria, IL
(US); **Aaron Stritesky**, Otsego, MN
(US); **Ryan Rouderbush**, Byron, MN
(US)

(73) Assignee: **Caterpillar Inc.**, Peoria, IL (US)

(*) Notice: This patent is subject to a terminal dis-
claimer.

(**) Term: **14 Years**

(21) Appl. No.: **29/259,025**

(22) Filed: **May 2, 2006**

(51) **LOC (8) Cl.** **12-09**

(52) **U.S. Cl.** **D15/23; D15/33**

(58) **Field of Classification Search** D15/10-12,
D15/19, 21-23, 28, 30-33; 180/238, 264,
180/267, 420; 172/781-785, 1, 788, 776,
172/790, 430, 611, 792; D21/537
See application file for complete search history.

(56) **References Cited**

U.S. PATENT DOCUMENTS

| | | | | | |
|-----------|-----|---------|-------------------|-------|---------|
| 2,081,536 | A * | 5/1937 | Gustafson | | 172/793 |
| 2,965,990 | A * | 12/1960 | Colee | | 172/4.5 |
| 3,049,819 | A * | 8/1962 | Cohron et al. | | 37/430 |
| 3,197,188 | A * | 7/1965 | Moore | | 267/175 |
| 3,327,413 | A * | 6/1967 | Brinkmeyer et al. | | 172/785 |
| 3,450,213 | A * | 6/1969 | Hanser et al. | | 172/785 |

| | | | | | |
|--------------|------|---------|----------------|-------|----------|
| 3,454,109 | A * | 7/1969 | Roberts | | 172/781 |
| 3,527,315 | A * | 9/1970 | Hampton | | 180/238 |
| 3,831,693 | A * | 8/1974 | King | | 180/14.4 |
| 3,858,661 | A * | 1/1975 | Hallam et al. | | 172/1 |
| D238,955 | S * | 2/1976 | Peterson | | D21/537 |
| 3,976,146 | A * | 8/1976 | Desourdy | | 172/788 |
| 4,213,507 | A * | 7/1980 | Horrer et al. | | 172/784 |
| D275,107 | S * | 8/1984 | Crabiel et al. | | D15/25 |
| 5,474,147 | A * | 12/1995 | Yesel et al. | | 180/197 |
| 6,230,818 | B1 * | 5/2001 | Slunder | | 172/789 |
| 6,854,523 | B2 * | 2/2005 | Takahashi | | 172/3 |
| 2002/0060081 | A1 * | 5/2002 | Mcgugan | | 172/4.5 |
| 2003/0221845 | A1 * | 12/2003 | Takahashi | | 172/3 |
| 2004/0149463 | A1 * | 8/2004 | Maeda et al. | | 172/297 |
| 2005/0252669 | A1 * | 11/2005 | LaReau et al. | | 172/776 |

* cited by examiner

Primary Examiner—Stella M. Reid

Assistant Examiner—Mark Goodwin

(74) *Attorney, Agent, or Firm*—Finnegan, Henderson,
Farabow, Garrett & Dunner

(57) **CLAIM**

The ornamental design for a portion of a motor grader, as
shown and described.

DESCRIPTION

FIG. 1 is a top left rear perspective view of a portion of a
motor grader showing our new design;

FIG. 2 is a top view thereof;

FIG. 3 is a right side view thereof;

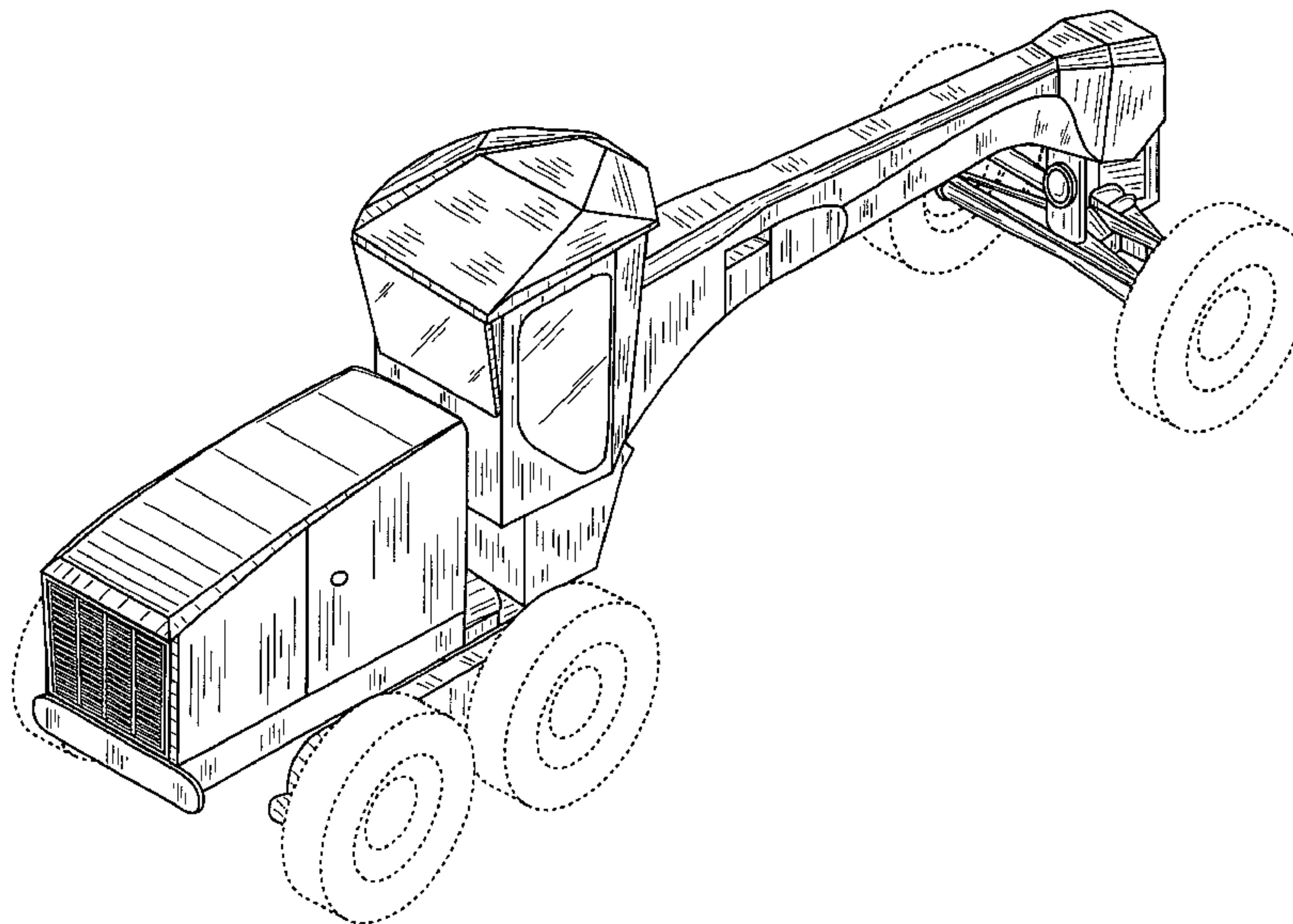
FIG. 4 is a left side view thereof;

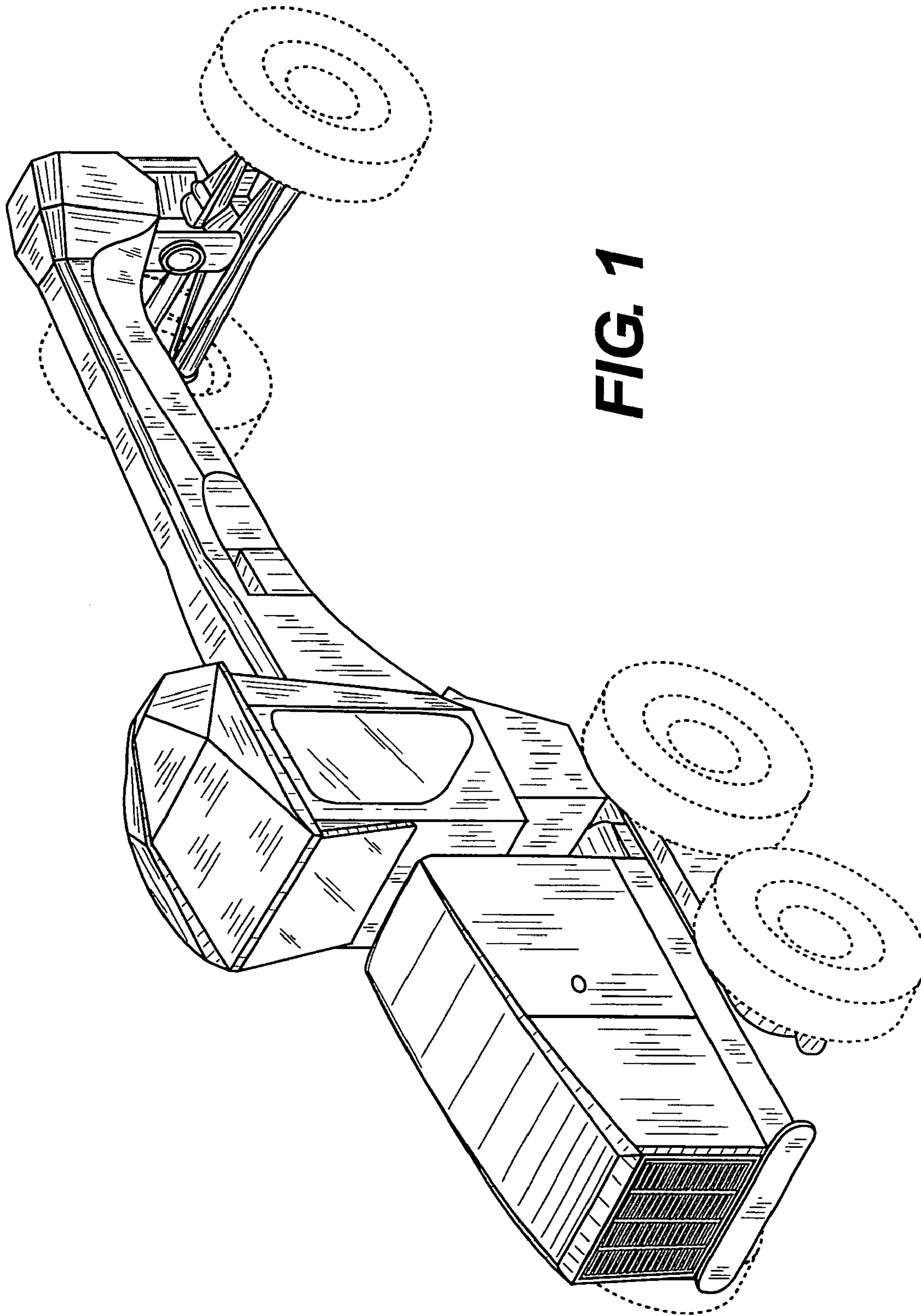
FIG. 5 is a front view thereof; and,

FIG. 6 is a rear view thereof.

The elements depicted in broken lines form no part of the
claimed design.

1 Claim, 4 Drawing Sheets





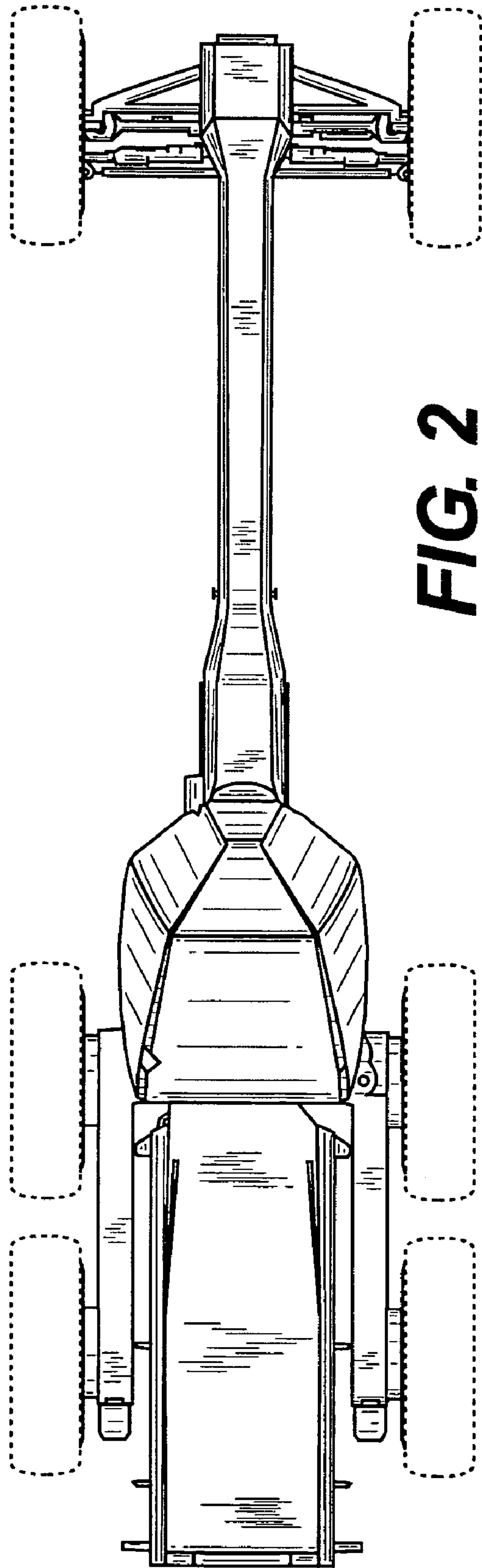
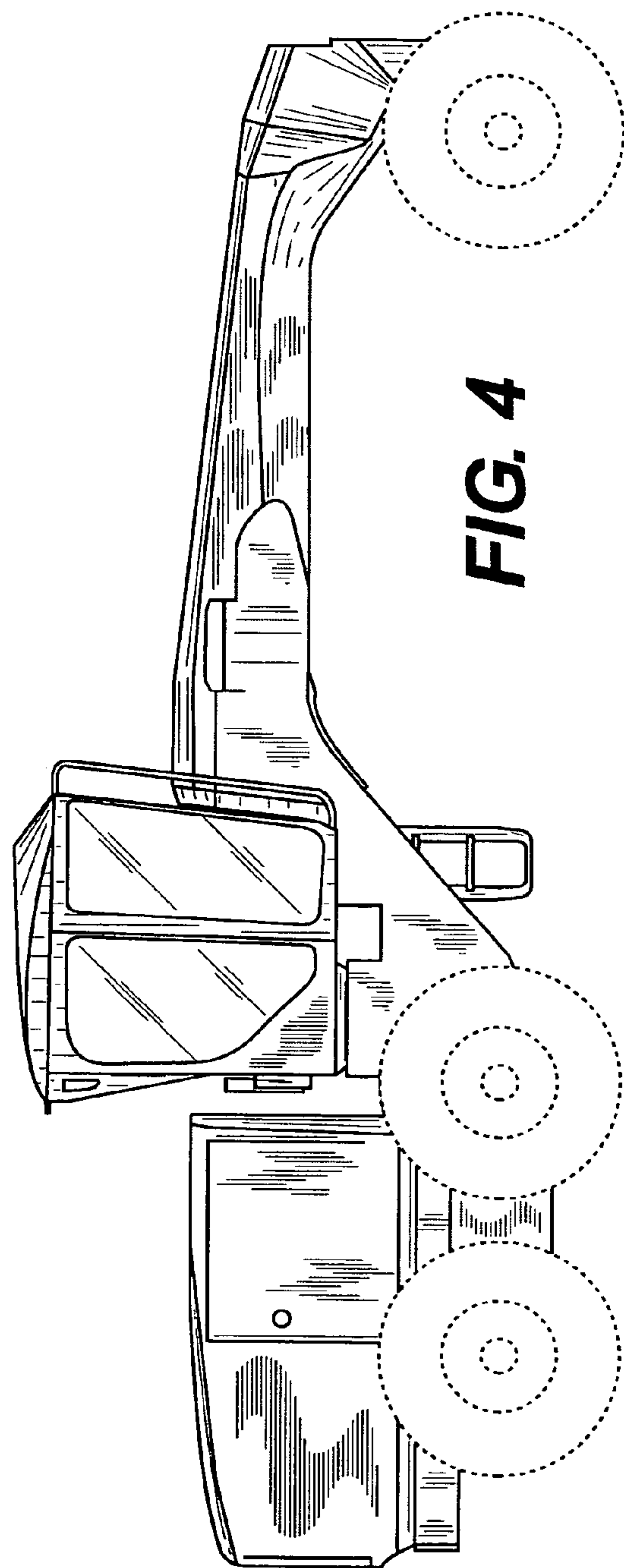
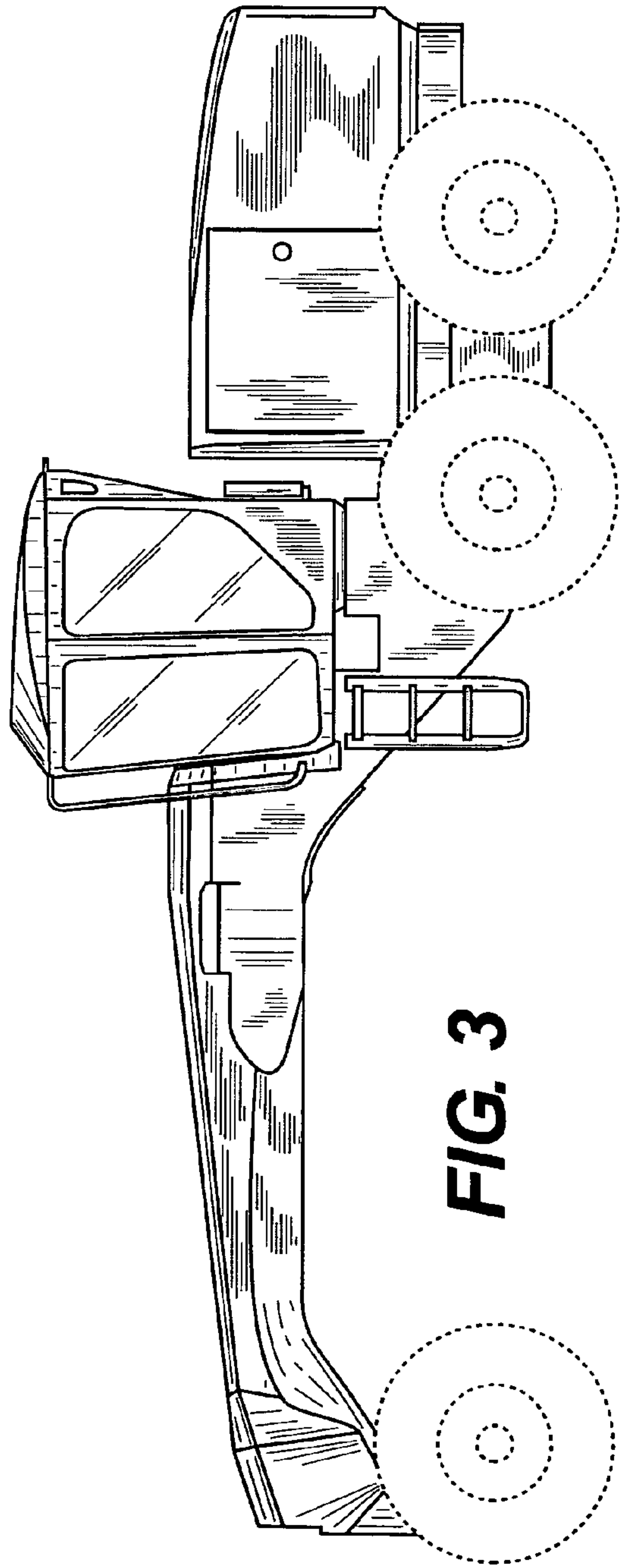


FIG. 2



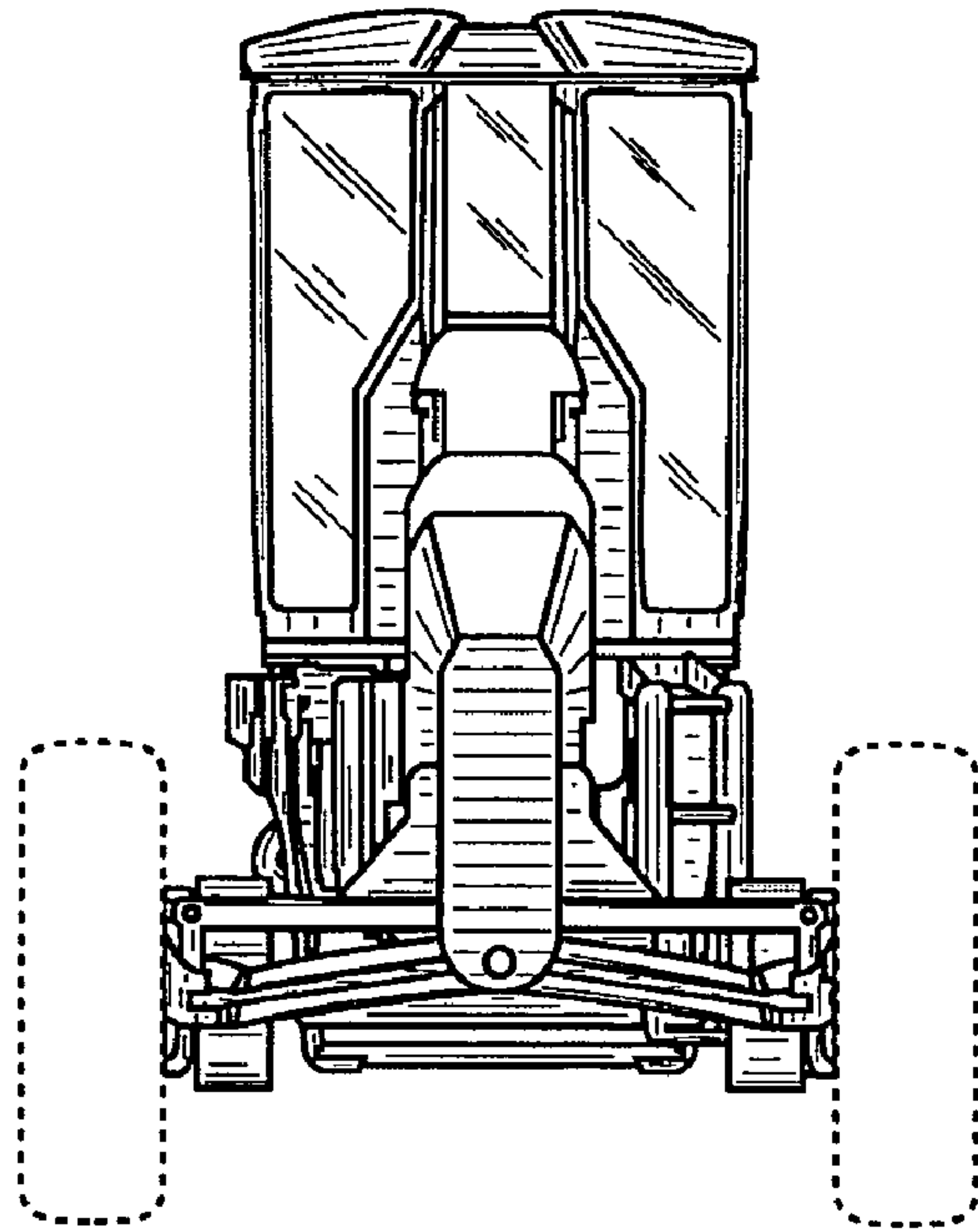


FIG. 5

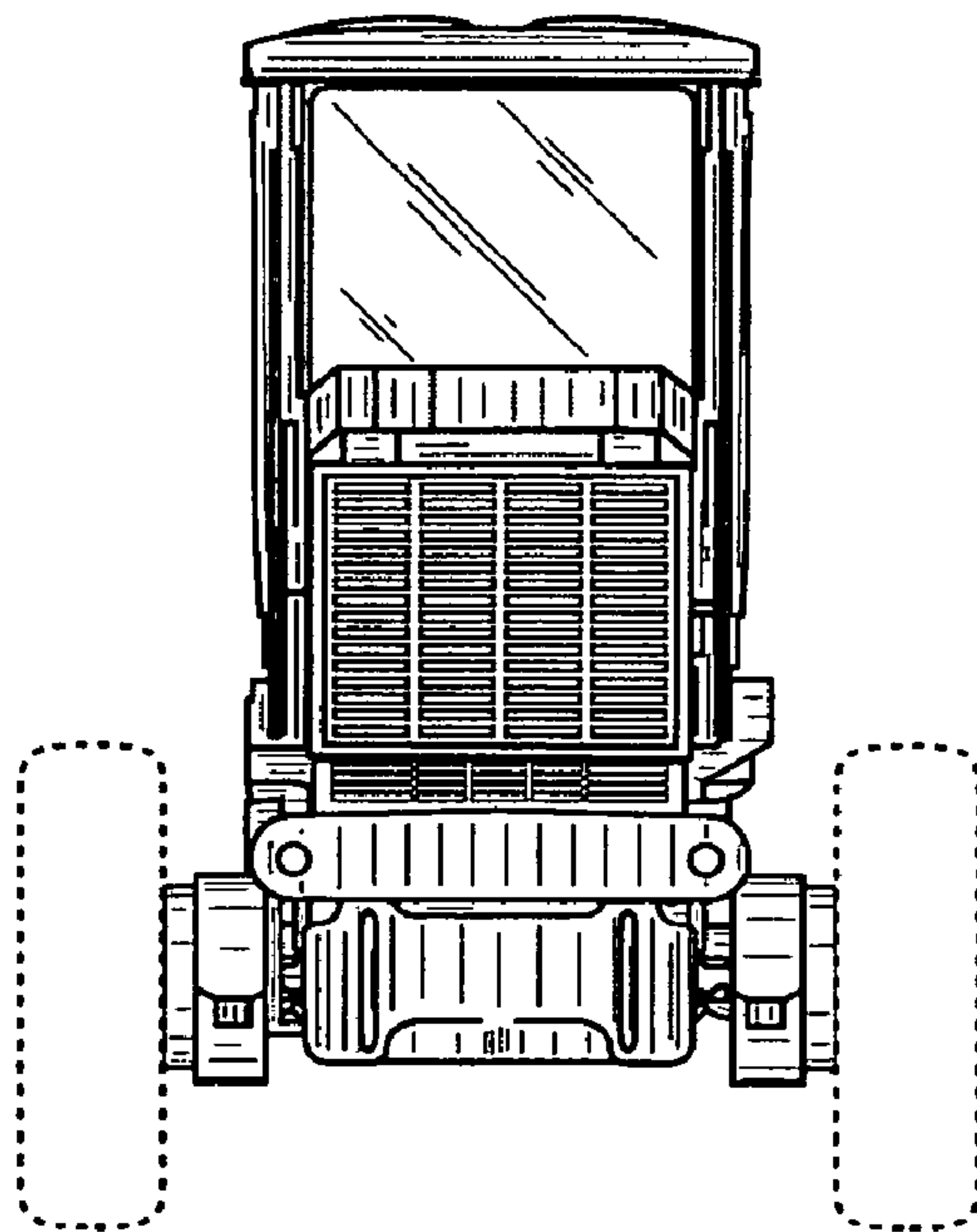


FIG. 6