



US00D557709S

(12) **United States Design Patent**
Preston

(10) **Patent No.:** **US D557,709 S**

(45) **Date of Patent:** **** Dec. 18, 2007**

(54) **PUMP**

(75) Inventor: **Warren John Preston, Turrella (AU)**

(73) Assignee: **MacNaught Pty Ltd, New South Wales (AU)**

(**) Term: **14 Years**

(21) Appl. No.: **29/276,870**

(22) Filed: **Feb. 8, 2007**

(30) **Foreign Application Priority Data**

Sep. 4, 2006 (AU) 13979/2006

(51) **LOC (8) Cl.** **15-02**

(52) **U.S. Cl.** **D15/7**

(58) **Field of Classification Search** D15/7-9;
D23/232, 231; 417/359, 415-416, 410.1,
417/321, 265, 405

See application file for complete search history.

(56) **References Cited**

U.S. PATENT DOCUMENTS

D221,258 S *	7/1971	Saddler	D15/7
D271,493 S *	11/1983	McMullen	D15/7
D273,511 S *	4/1984	Tanaka	D23/232
D280,991 S *	10/1985	Maruyama	D15/7
D280,992 S *	10/1985	Maruyama	D15/7
D295,522 S *	5/1988	Martin et al.	D15/7
D296,103 S *	6/1988	Harvey	D15/7
D299,720 S *	2/1989	Yoo	D15/7
D308,385 S *	6/1990	Russold et al.	D15/7
D319,245 S *	8/1991	Larson	D15/7
D327,275 S *	6/1992	Sheldon	D15/7

D405,454 S *	2/1999	Bowen	D15/7
D456,819 S *	5/2002	Sebion et al.	D15/7
D497,915 S *	11/2004	Bowen	D15/7
D526,664 S *	8/2006	Bowen	D15/7

OTHER PUBLICATIONS

MacNaught Pty Ltd, MacNaught Lubrication & Greasing Equipment, catalog, 2004, pp. 16-30, NA180 Issue 3A, Sydney, Australia.
MacNaught Pty Ltd, Macnaught Lubrication & Greasing Equipment, catalog, Jun. 2006, pp. 18-21, NA180 Issue 4A, Sydney, Australia.

PIUSI S.p.A., Hand Pump, Technical Spec 2007, pp. 1-2, Bulletin C1014, ML Rev. M, Mantova, Italy.

* cited by examiner

Primary Examiner—Ralf Seifert

(74) *Attorney, Agent, or Firm*—King & Schickli, PLLC

(57) **CLAIM**

The ornamental design of a pump, as shown and described.

DESCRIPTION

FIG. 1 is a perspective view of a pump of the present invention;

FIG. 2 is a second perspective view thereof;

FIG. 3 is a side elevation view thereof;

FIG. 4 is a second side elevation view thereof;

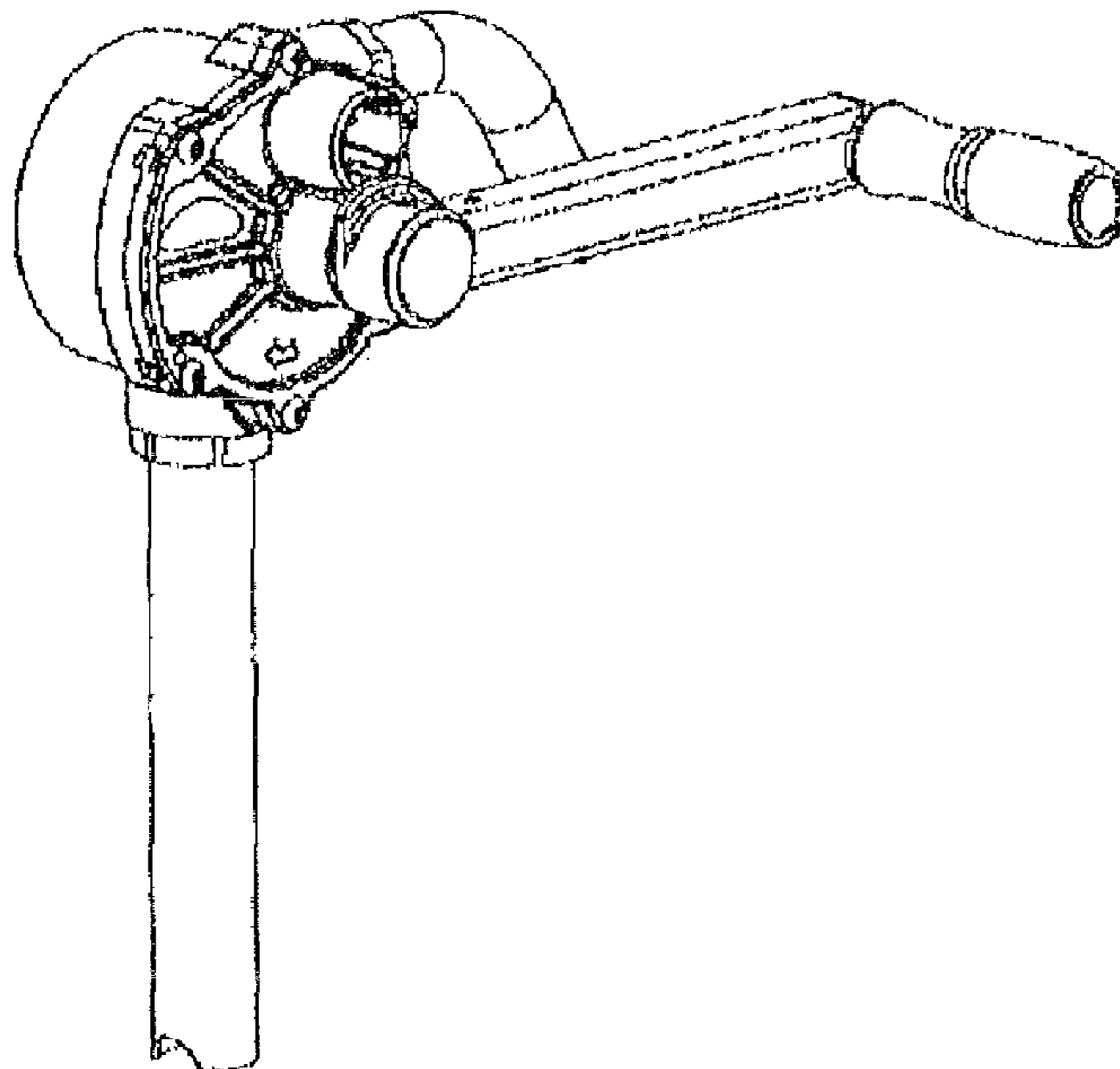
FIG. 5 is a third side elevation view thereof;

FIG. 6 is a fourth side elevation view thereof;

FIG. 7 is a bottom view thereof; and,

FIG. 8 is a top plan view thereof.

1 Claim, 2 Drawing Sheets



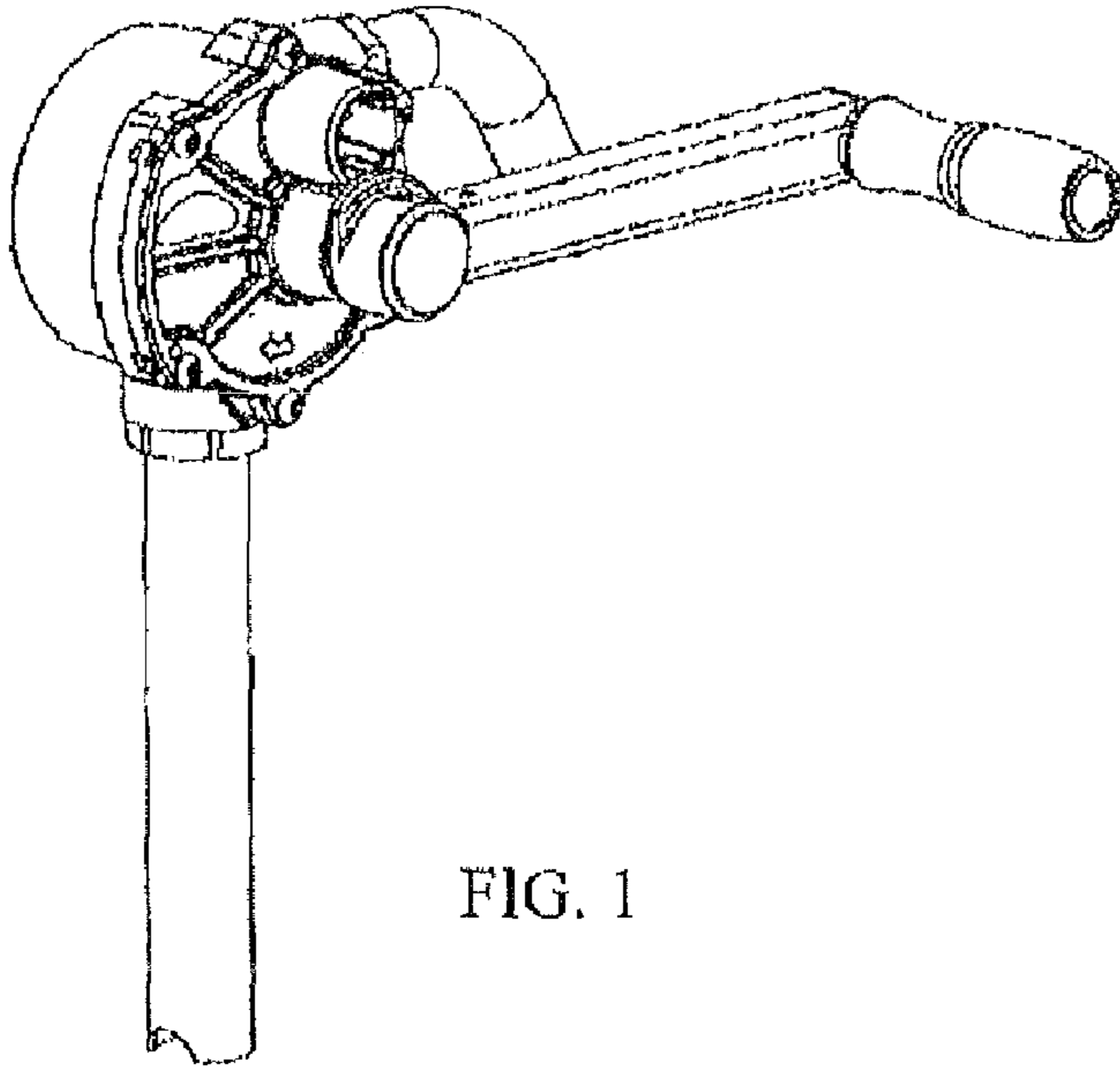


FIG. 1

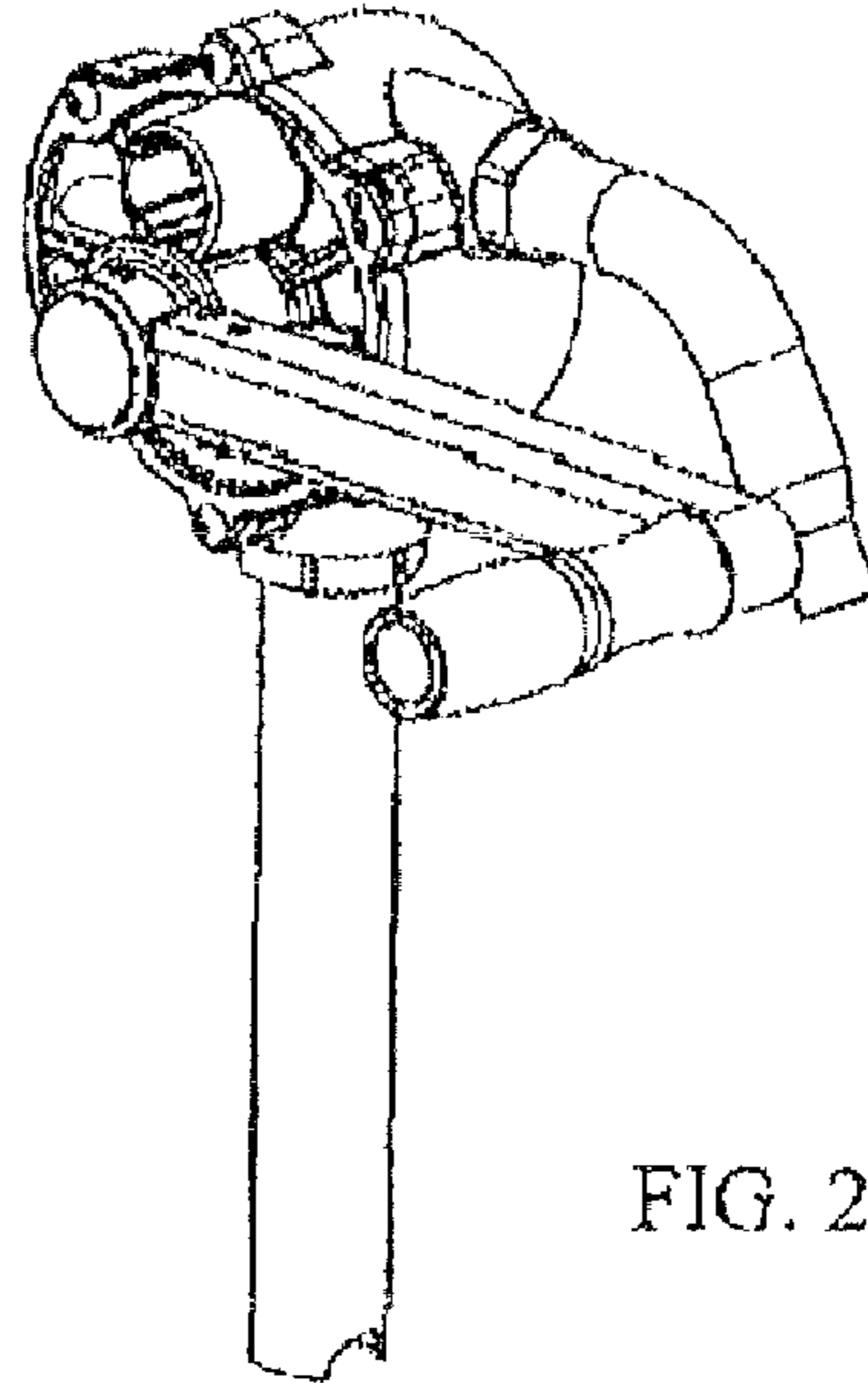


FIG. 2

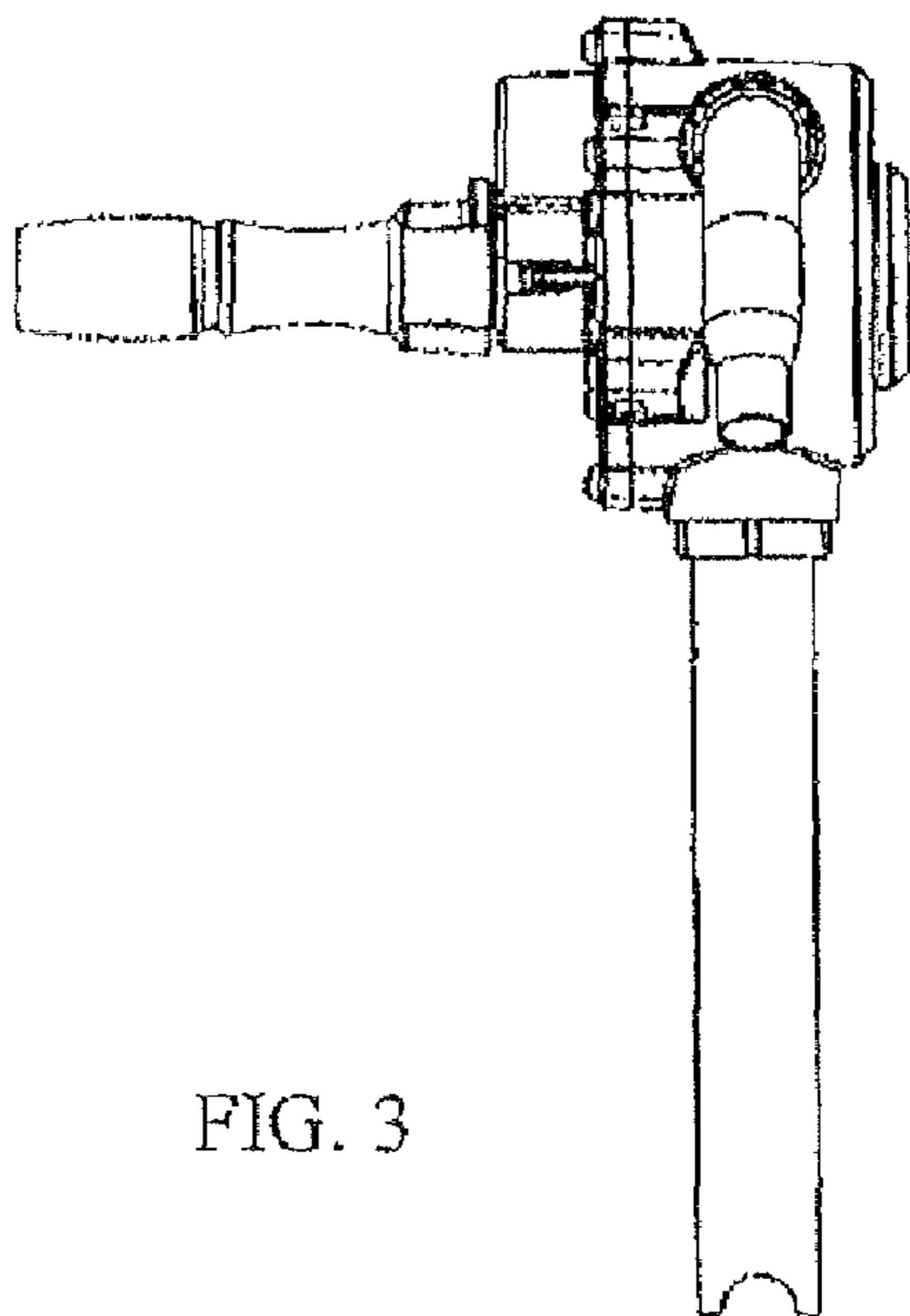


FIG. 3

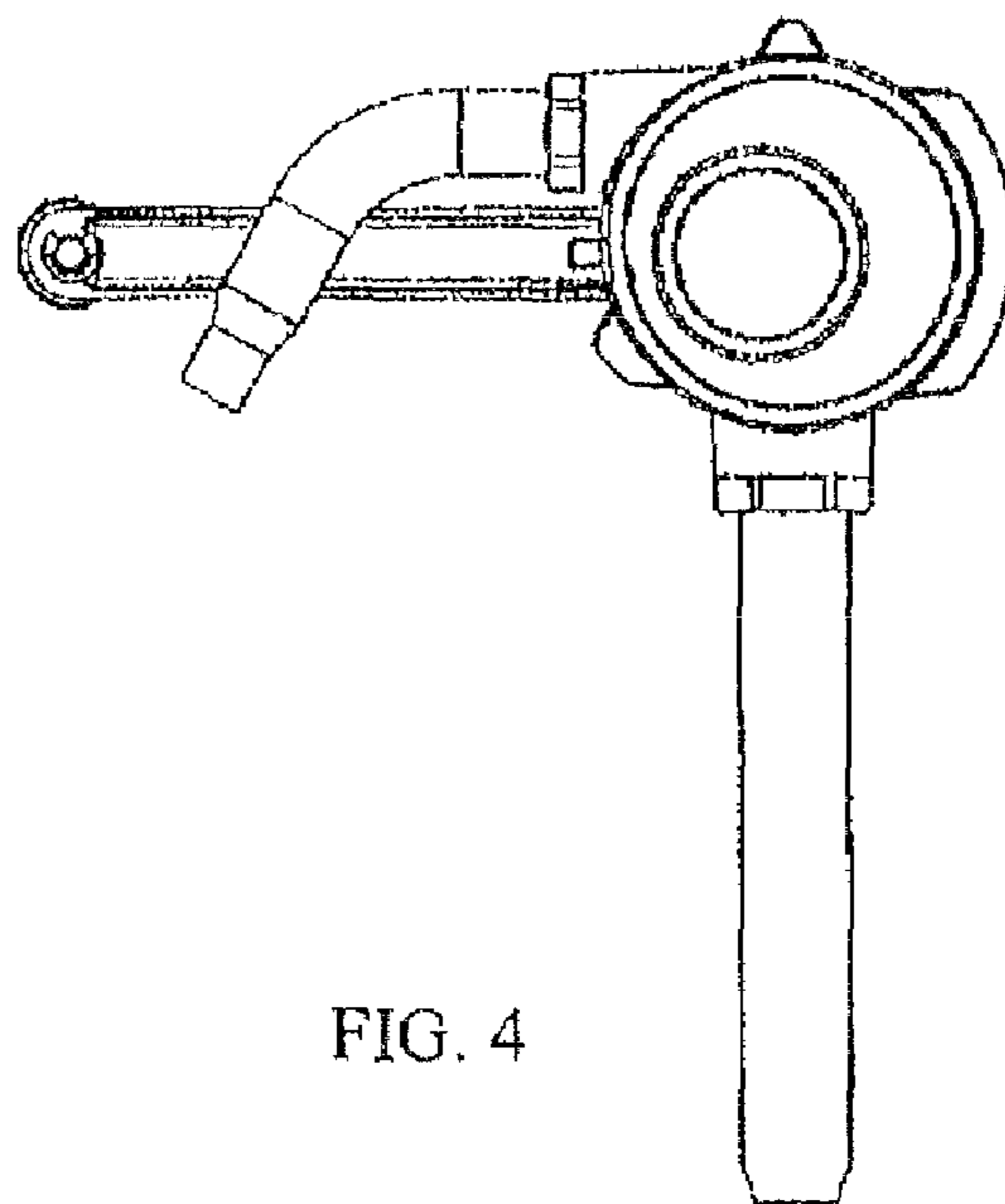


FIG. 4

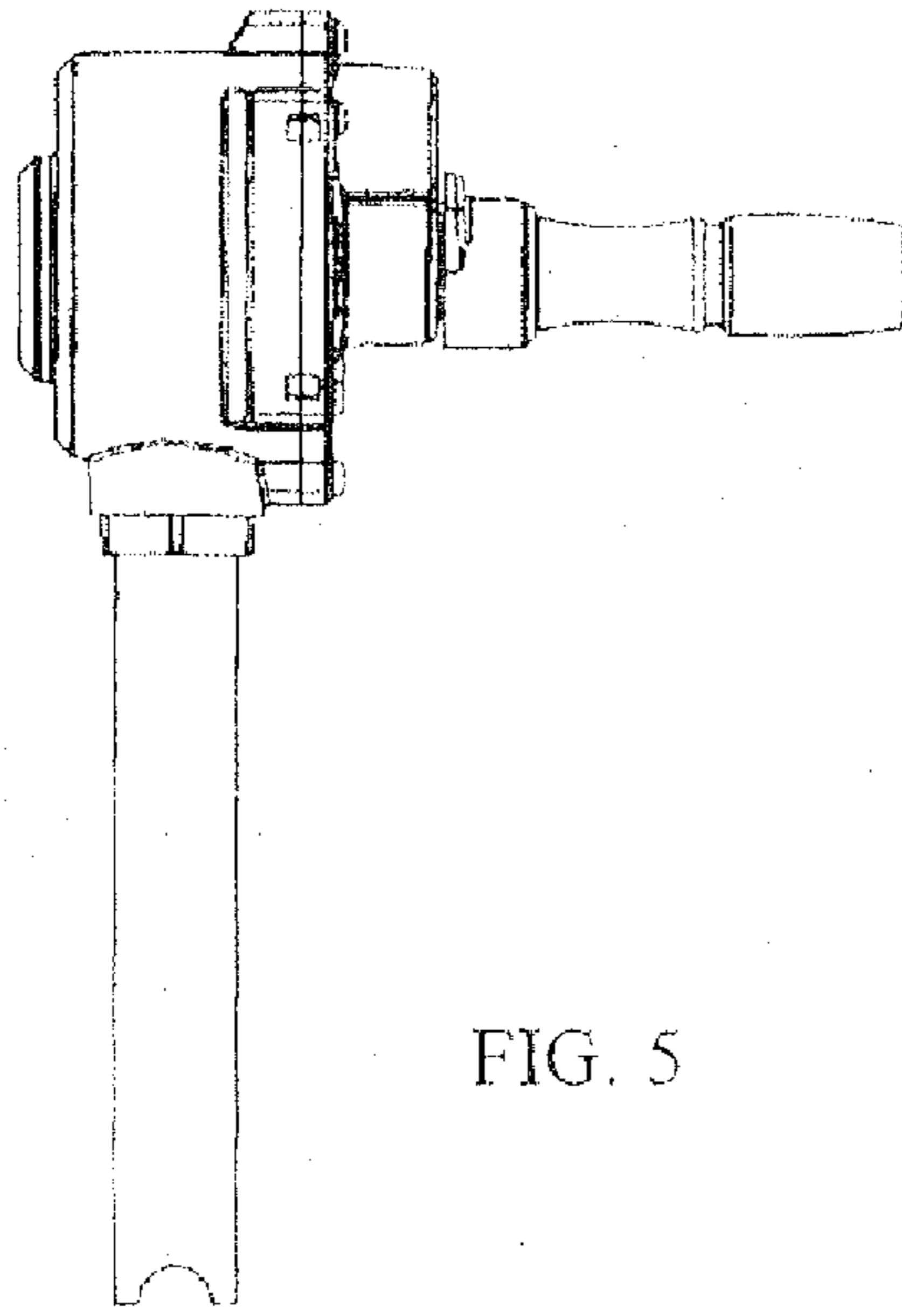


FIG. 5

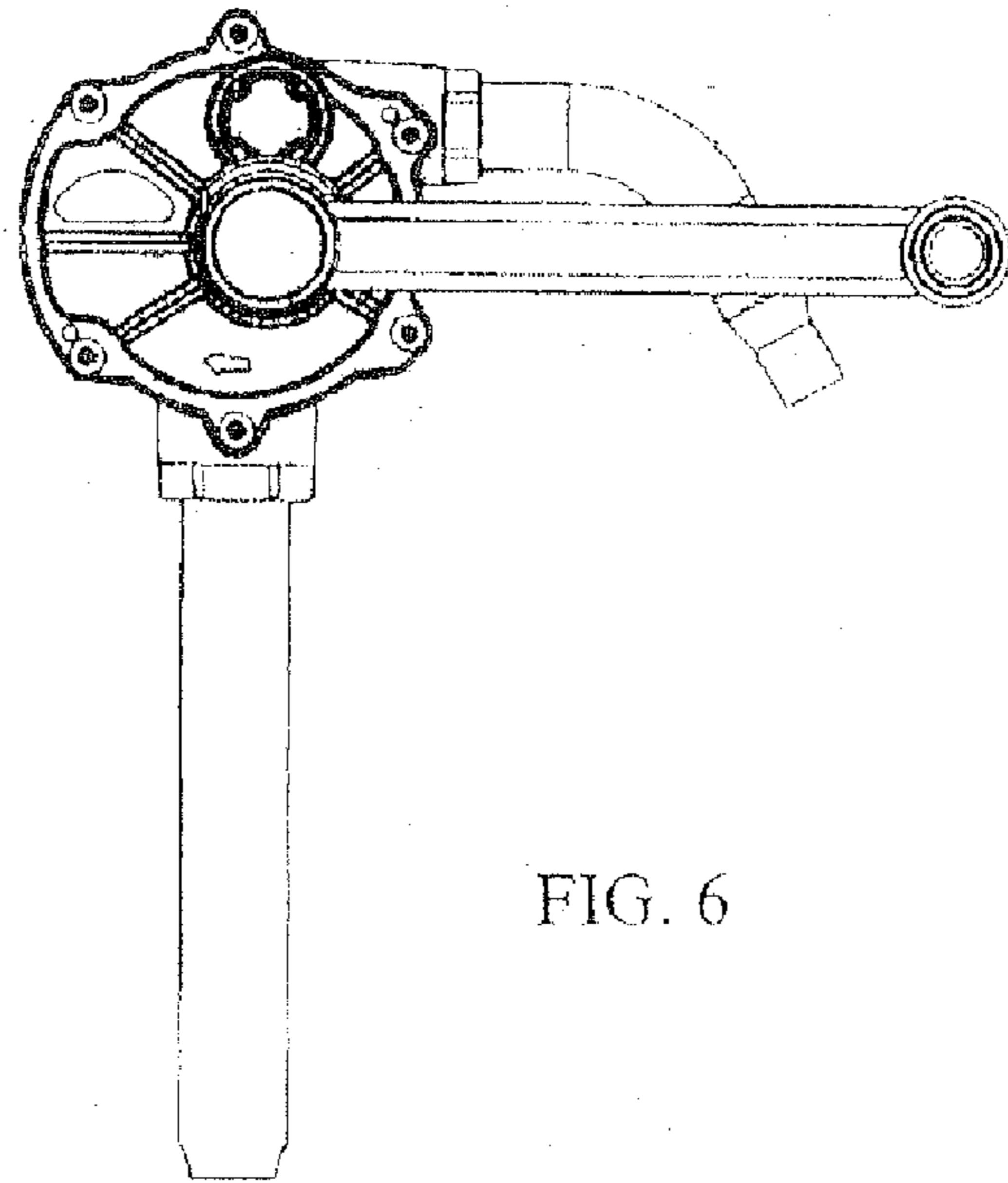


FIG. 6

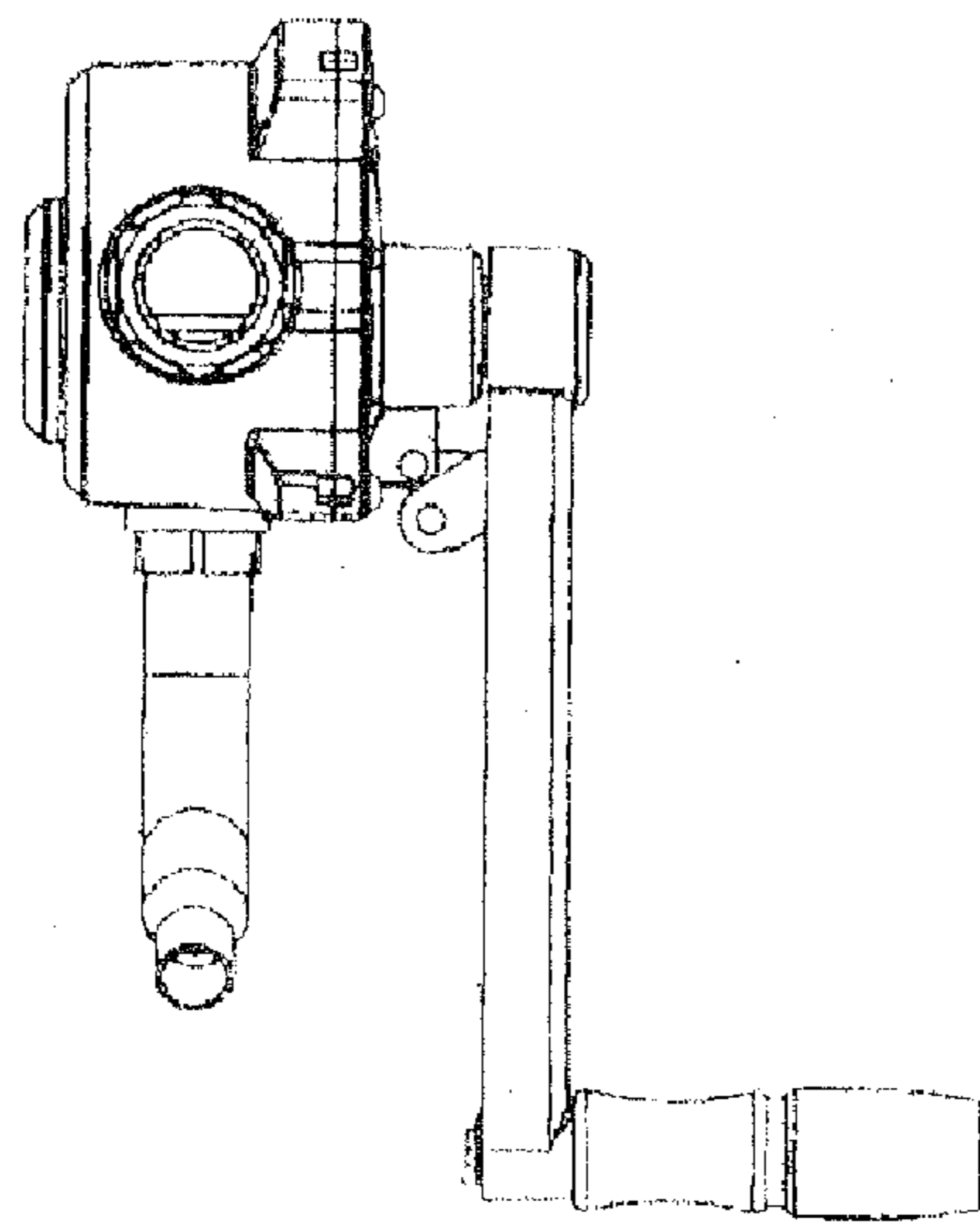


FIG. 7

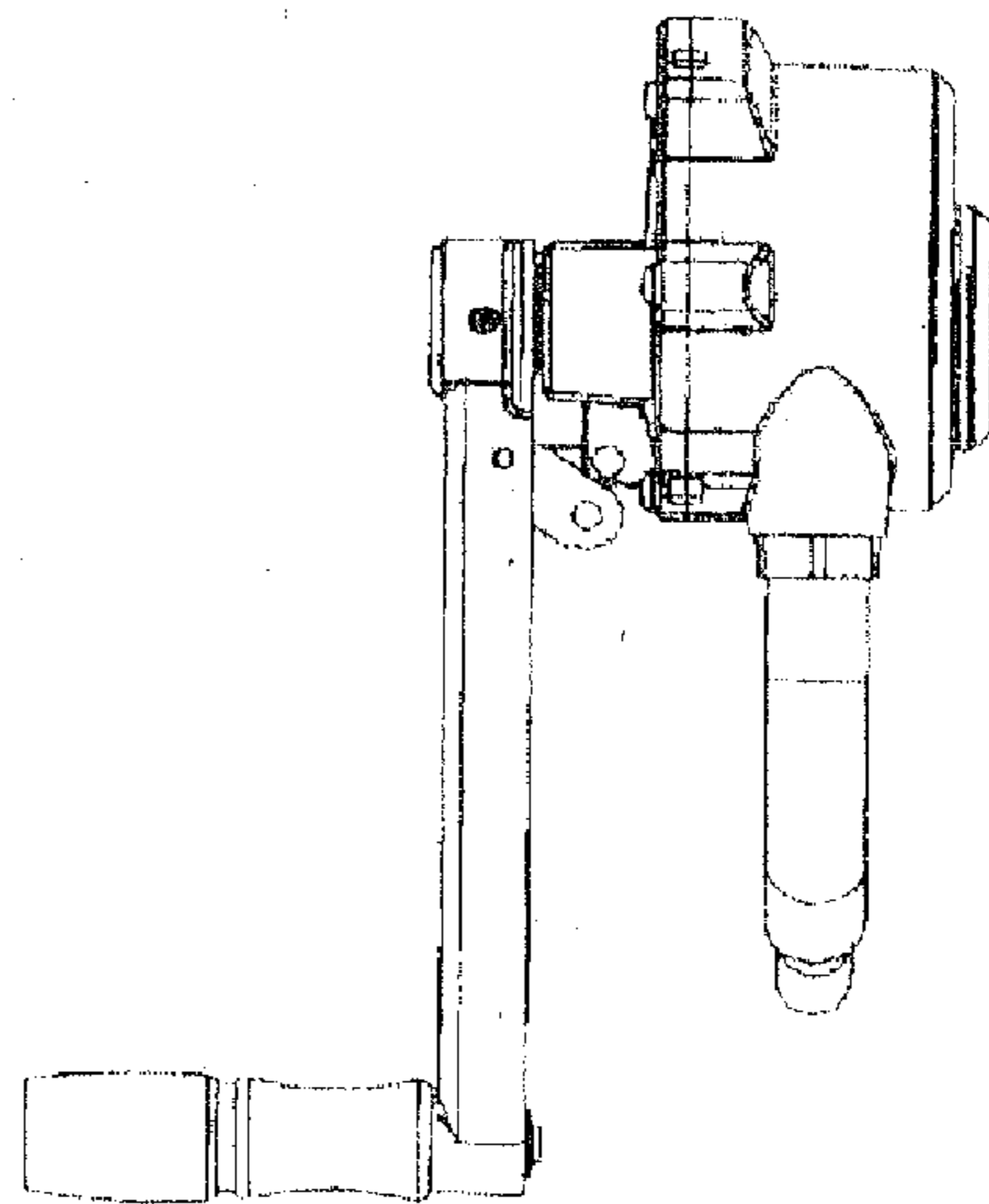


FIG. 8