



US00D557708S

(12) **United States Design Patent**
Carpenter et al.

(10) **Patent No.:** **US D557,708 S**
(45) **Date of Patent:** **** Dec. 18, 2007**

(54) **PAINT SPRAY PUMP**

(75) Inventors: **Scott R. Carpenter**, Rogers, MN (US);
Shawn C. Johnson, Milaca, MN (US);
Tunjung F. Ismoedi, Jawa Tengah (ID)

(73) Assignee: **Wagner Spray Tech Corporation**,
Plymouth, MN (US)

(**) Term: **14 Years**

(21) Appl. No.: **29/249,425**

(22) Filed: **Oct. 5, 2006**

(51) **LOC (8) Cl.** **15-02**

(52) **U.S. Cl.** **D15/7**

(58) **Field of Classification Search** D15/7-9;
D23/232, 231; 417/359, 415-416, 410.1,
417/321, 265, 405

See application file for complete search history.

(56) **References Cited**

U.S. PATENT DOCUMENTS

D338,208 S *	8/1993	Reents et al.	D15/9
D338,329 S *	8/1993	Cornwall	D3/272
D340,724 S *	10/1993	Mariol	D15/7
D436,600 S *	1/2001	Larsson	D15/7
D522,534 S *	6/2006	Kawasaki	D15/7

* cited by examiner

Primary Examiner—Ralf Seifert

(74) *Attorney, Agent, or Firm*—Faegre & Benson LLP

(57) **CLAIM**

The ornamental design for a paint spray pump, as shown.

DESCRIPTION

FIG. 1 is a perspective view of a first embodiment of the article in which the design is embodied.

FIG. 2 is a front elevation view of the first embodiment of the article in which the design is embodied.

FIG. 3 is a rear elevation view of the first embodiment of the article in which the design is embodied.

FIG. 4 is a left side elevation view of the first embodiment of the article in which the design is embodied.

FIG. 5 is a right side elevation view of the first embodiment of the article in which the design is embodied.

FIG. 6 is a top plan view of the first embodiment of the article in which the design is embodied.

FIG. 7 is a bottom plan view of the first embodiment of the article in which the design is embodied.

FIG. 8 is a perspective view of a second embodiment of the article in which the design is embodied.

FIG. 9 is a front elevation view of the second embodiment of the article in which the design is embodied.

FIG. 10 is a rear elevation view of the second embodiment of the article in which the design is embodied.

FIG. 11 is a left side elevation view of the second embodiment of the article in which the design is embodied.

FIG. 12 is a right side elevation view of the second embodiment of the article in which the design is embodied.

FIG. 13 is a top plan view of the second embodiment of the article in which the design is embodied.

FIG. 14 is a bottom plan view of the second embodiment of the article in which the design is embodied.

FIG. 15 is a perspective view of a third embodiment of the article in which the design is embodied.

FIG. 16 is a front elevation view of the third embodiment of the article in which the design is embodied.

FIG. 17 is a rear elevation view of the third embodiment of the article in which the design is embodied.

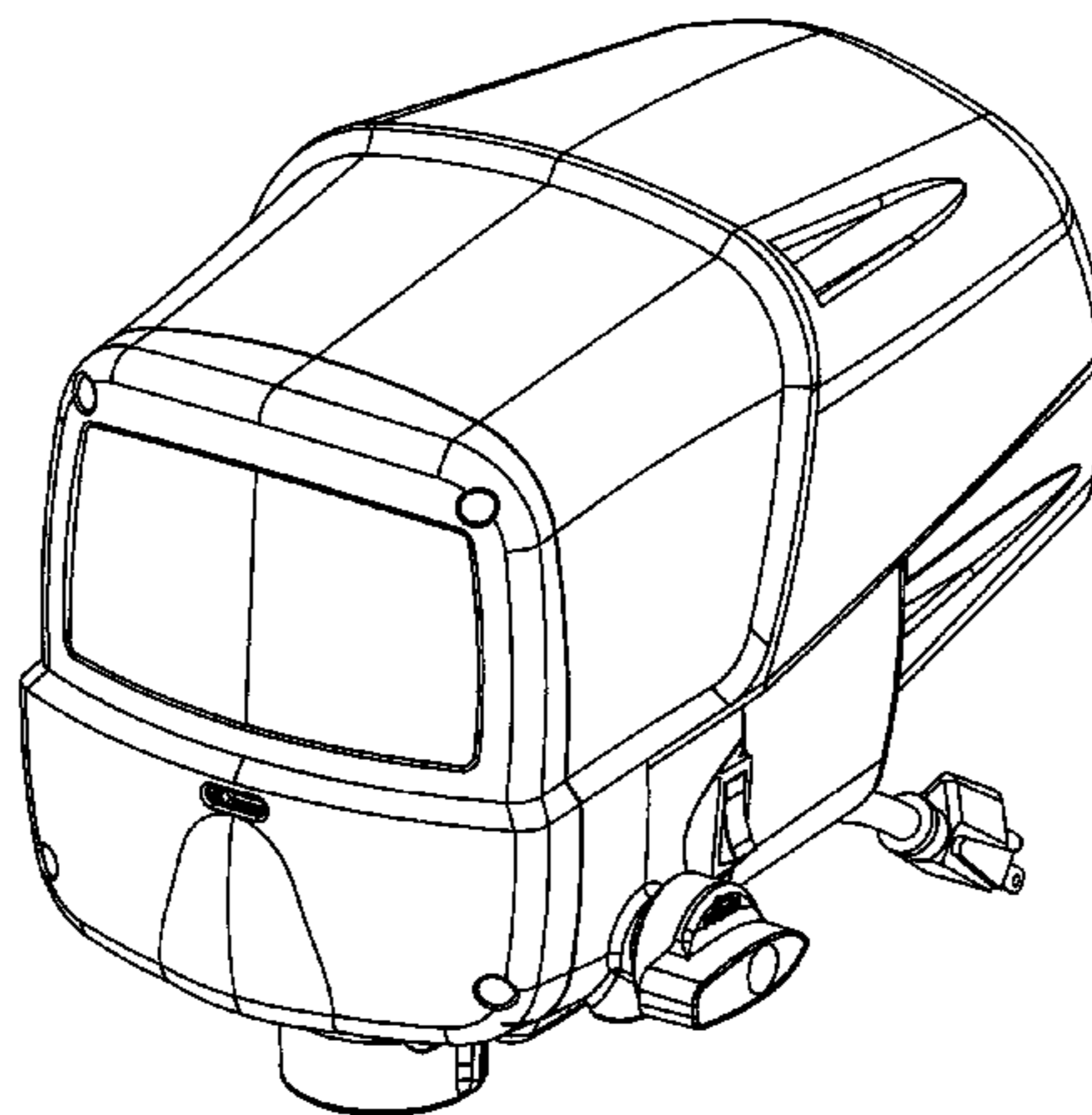
FIG. 18 is a left side elevation view of the third embodiment of the article in which the design is embodied.

FIG. 19 is a right side elevation view of the third embodiment of the article in which the design is embodied.

FIG. 20 is a top plan view of the third embodiment of the article in which the design is embodied; and,

FIG. 21 is a bottom plan view of the third embodiment of the article in which the design is embodied.

1 Claim, 21 Drawing Sheets



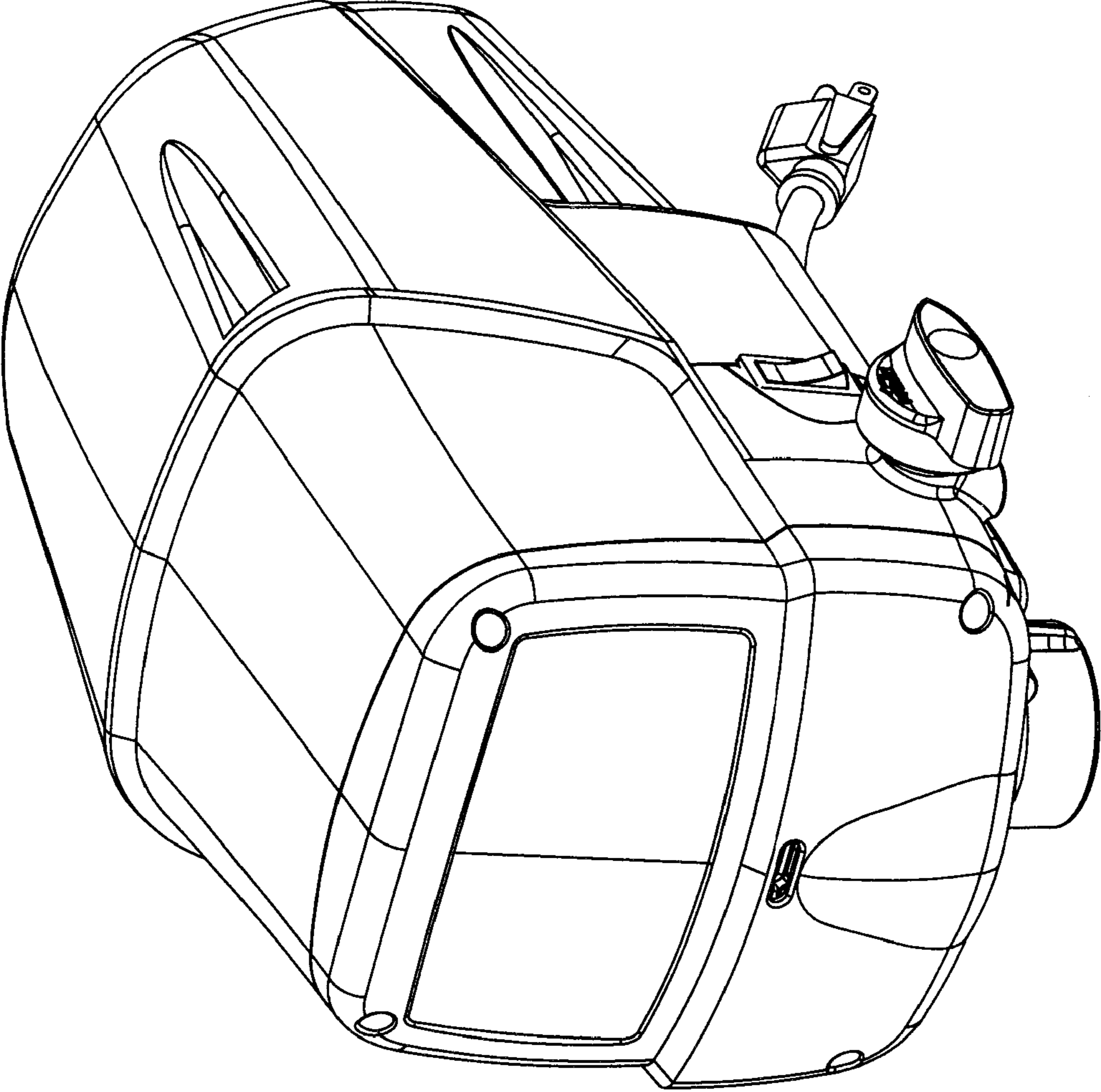


Fig. 1

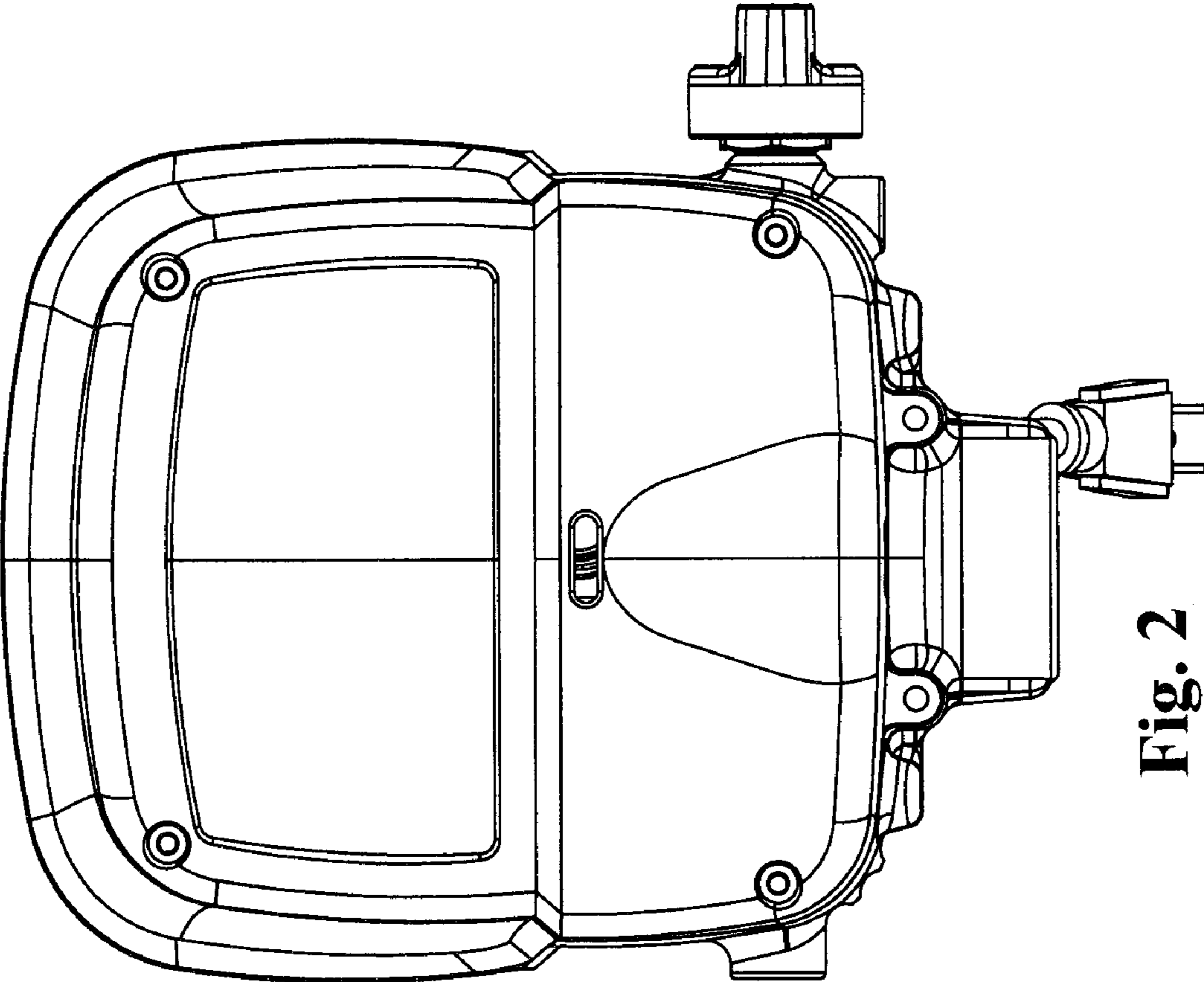


Fig. 2

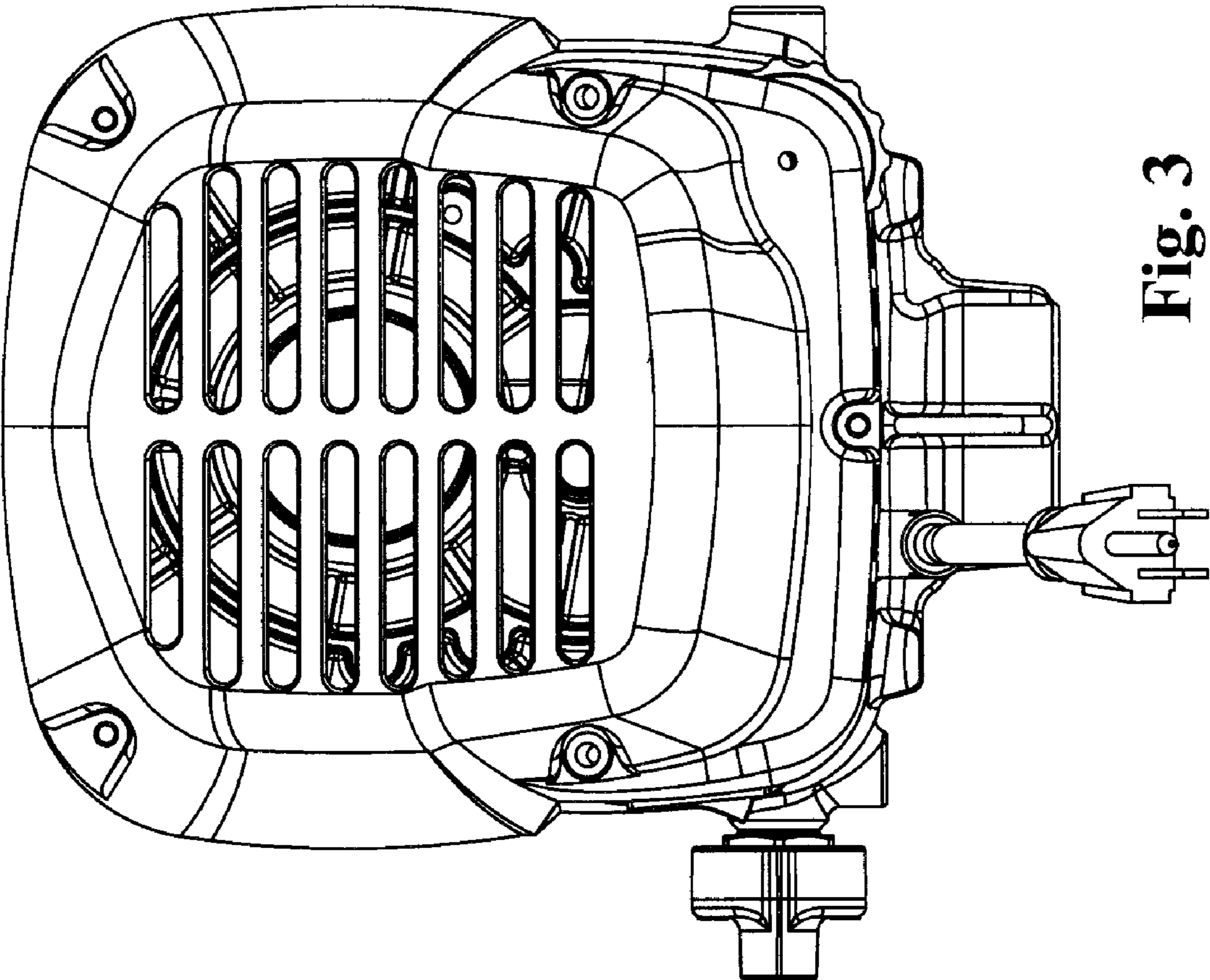


Fig. 3

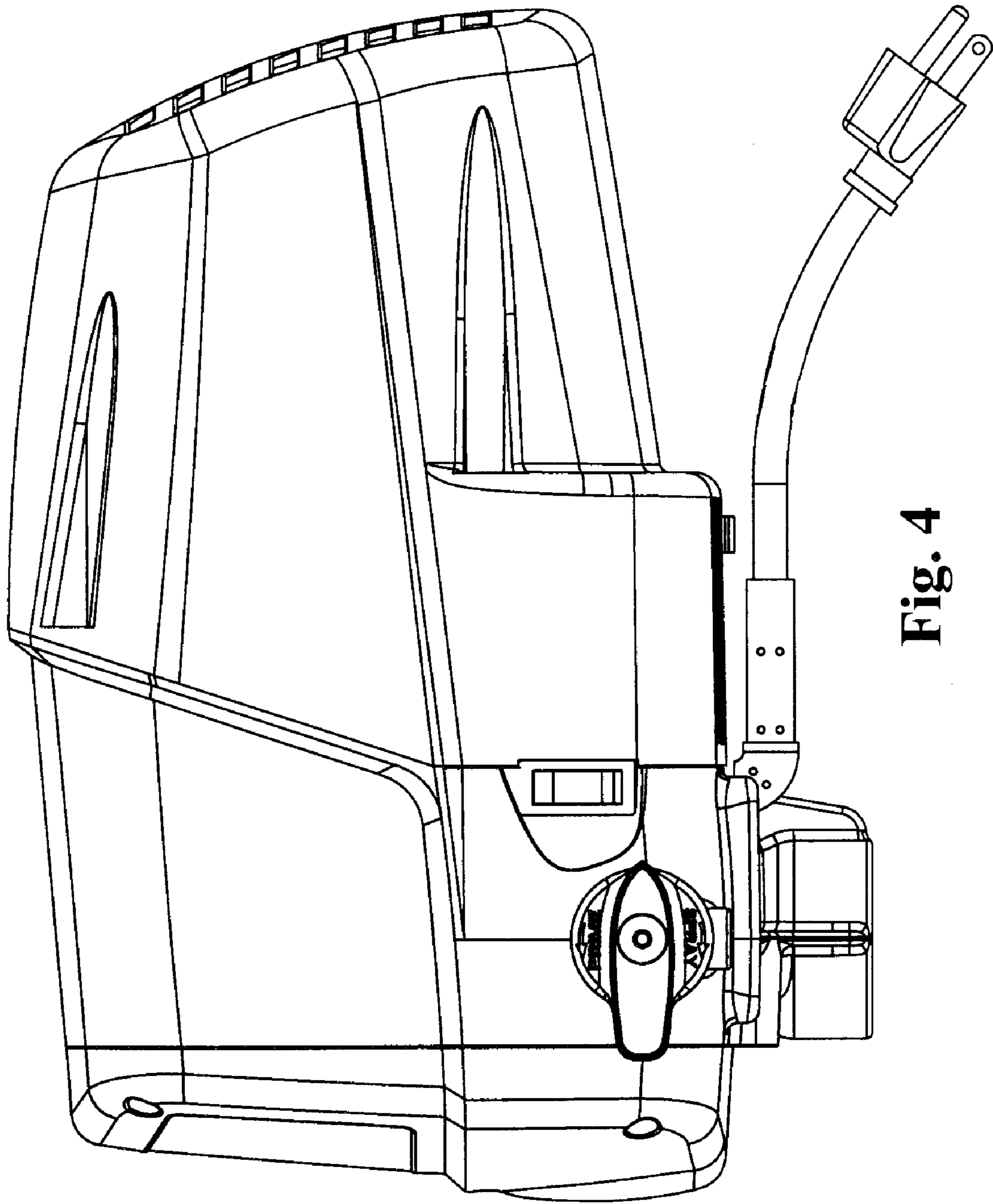


Fig. 4

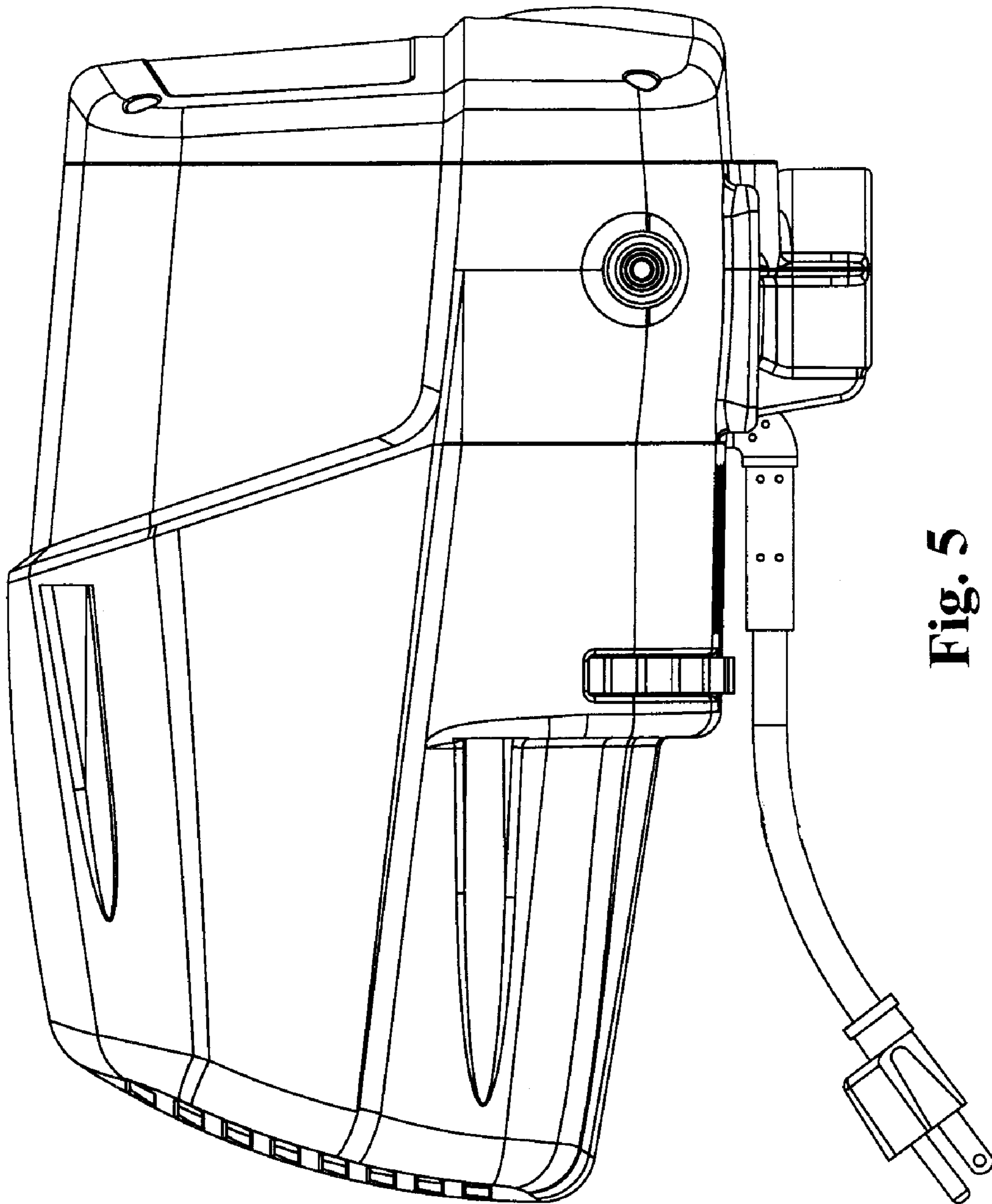


Fig. 5

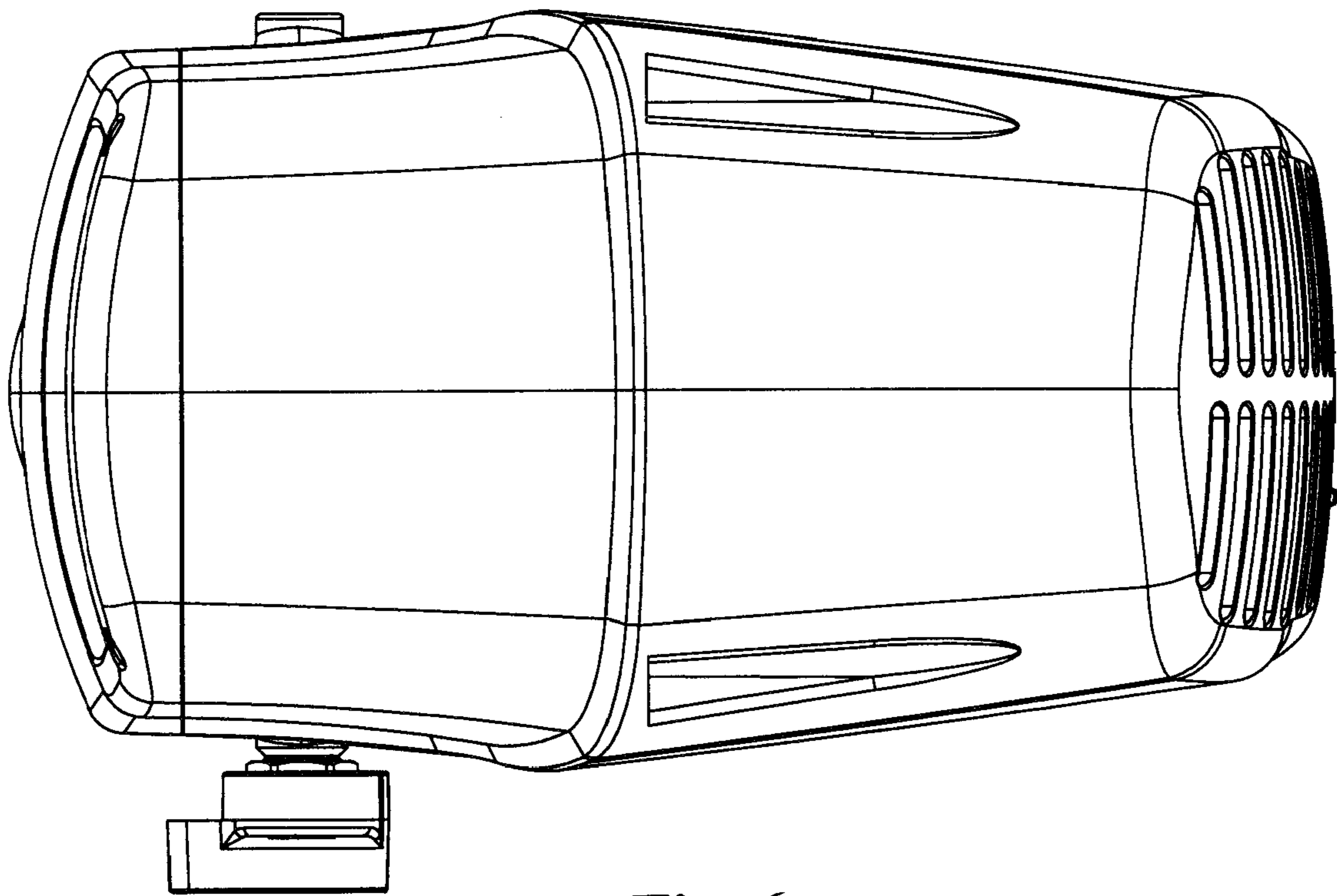


Fig. 6

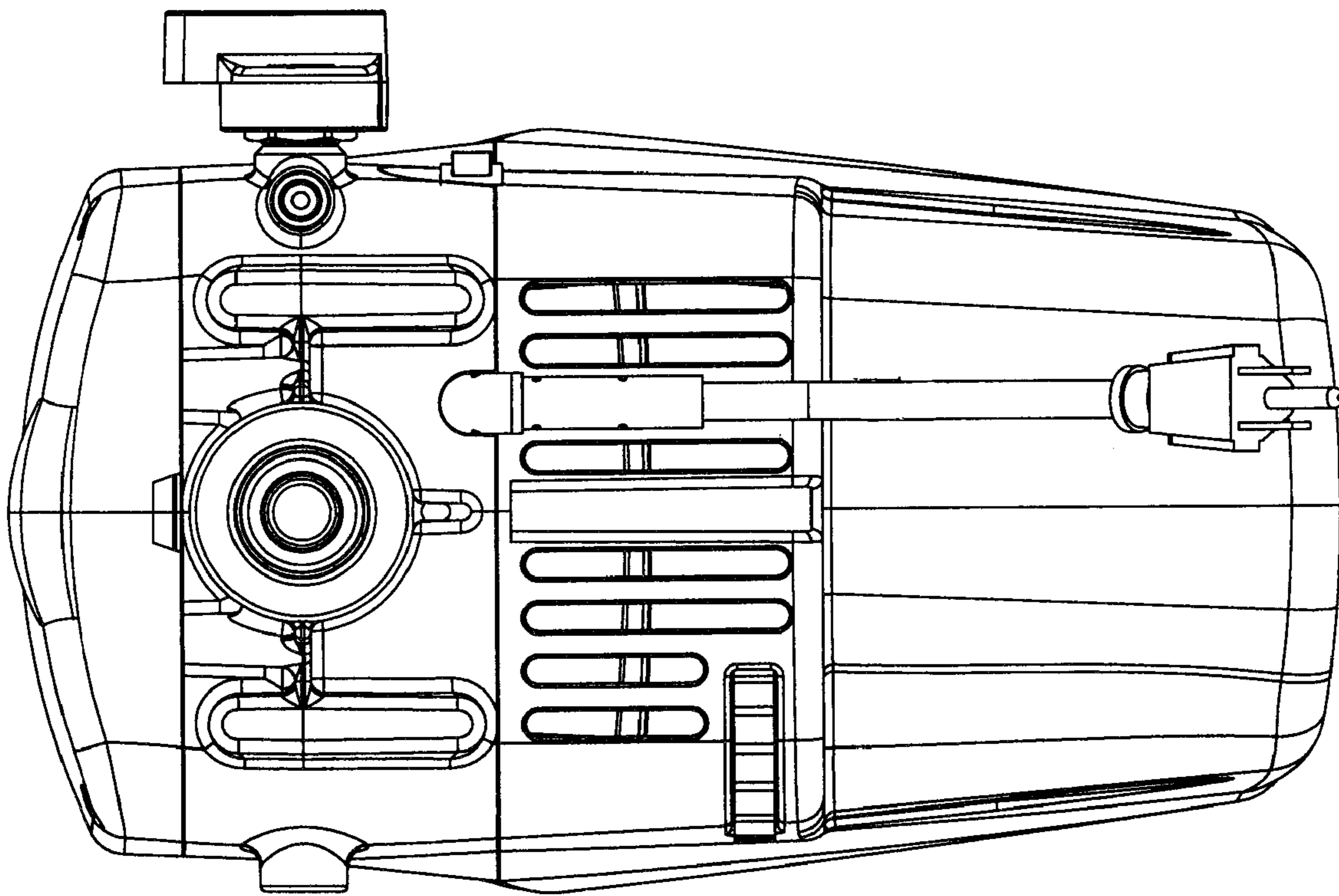


Fig. 7

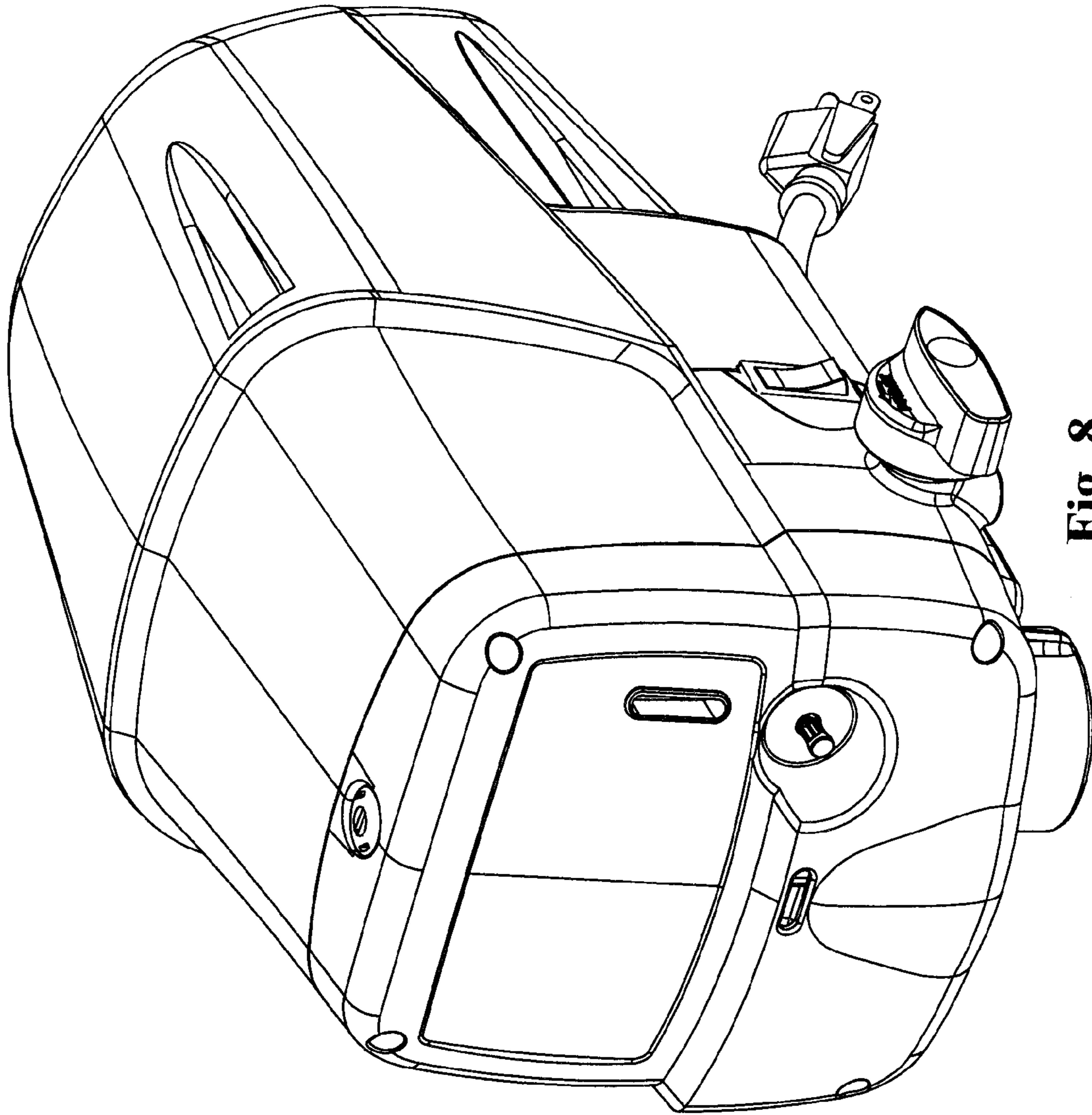


Fig. 8

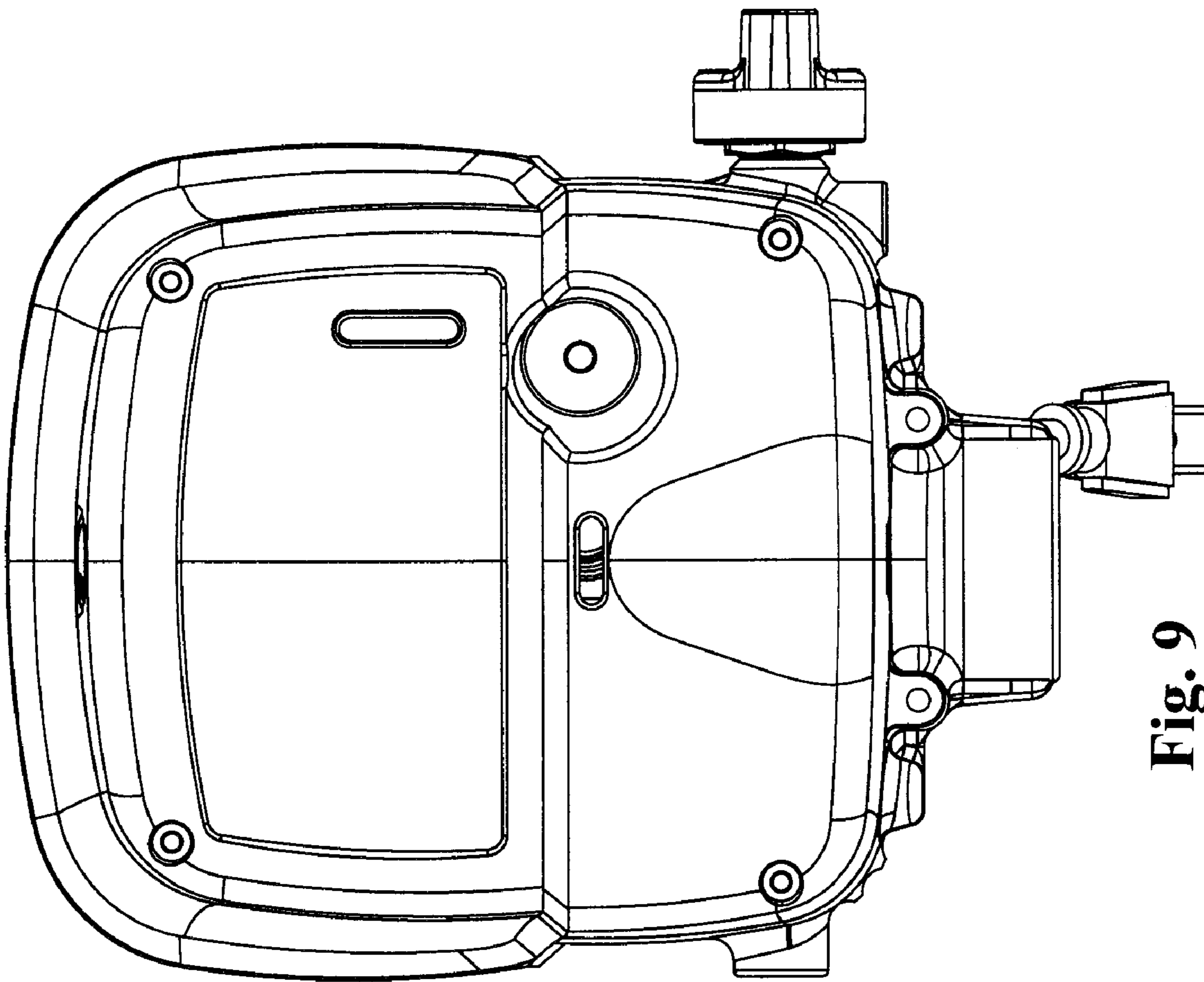


Fig. 9

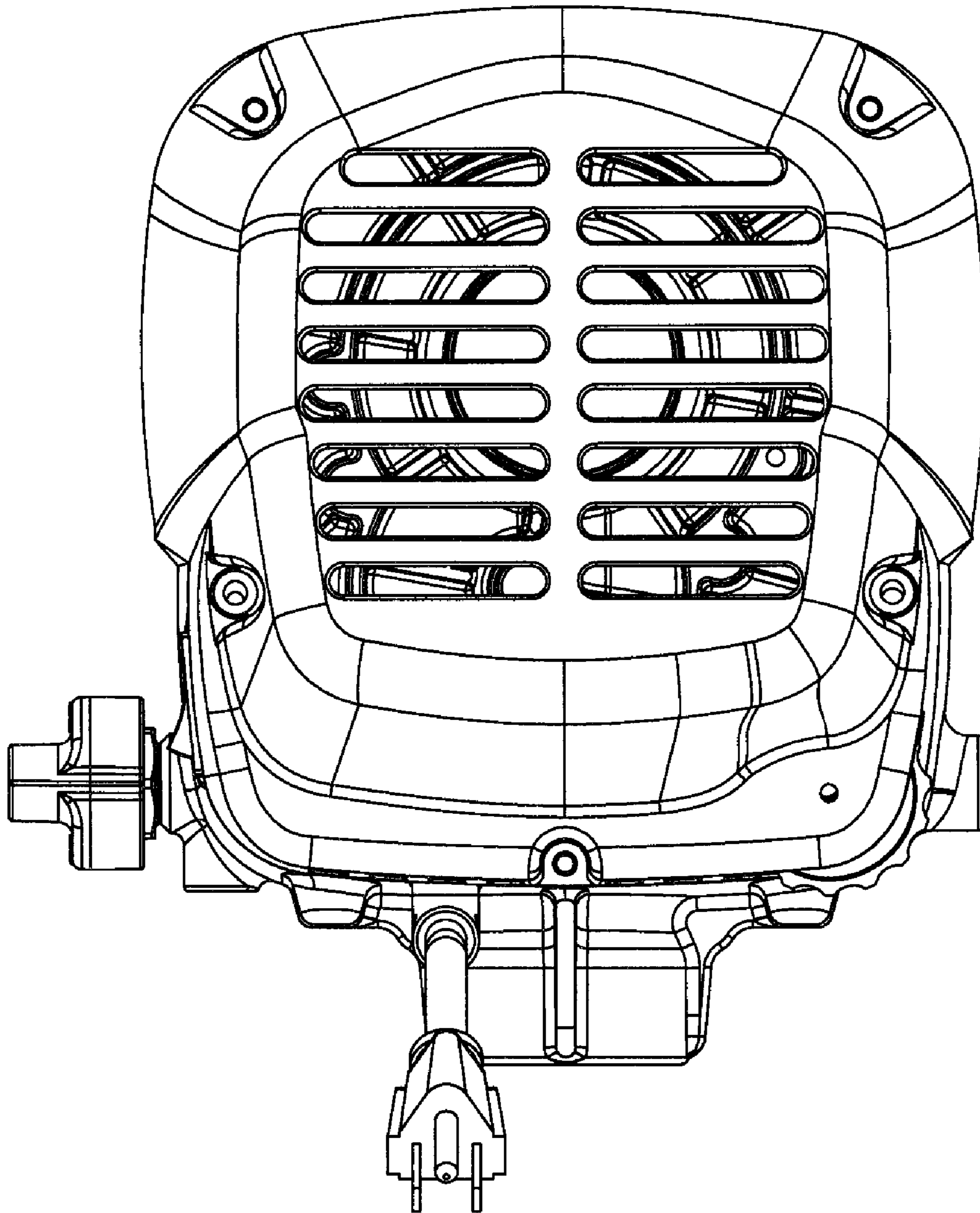


Fig. 10

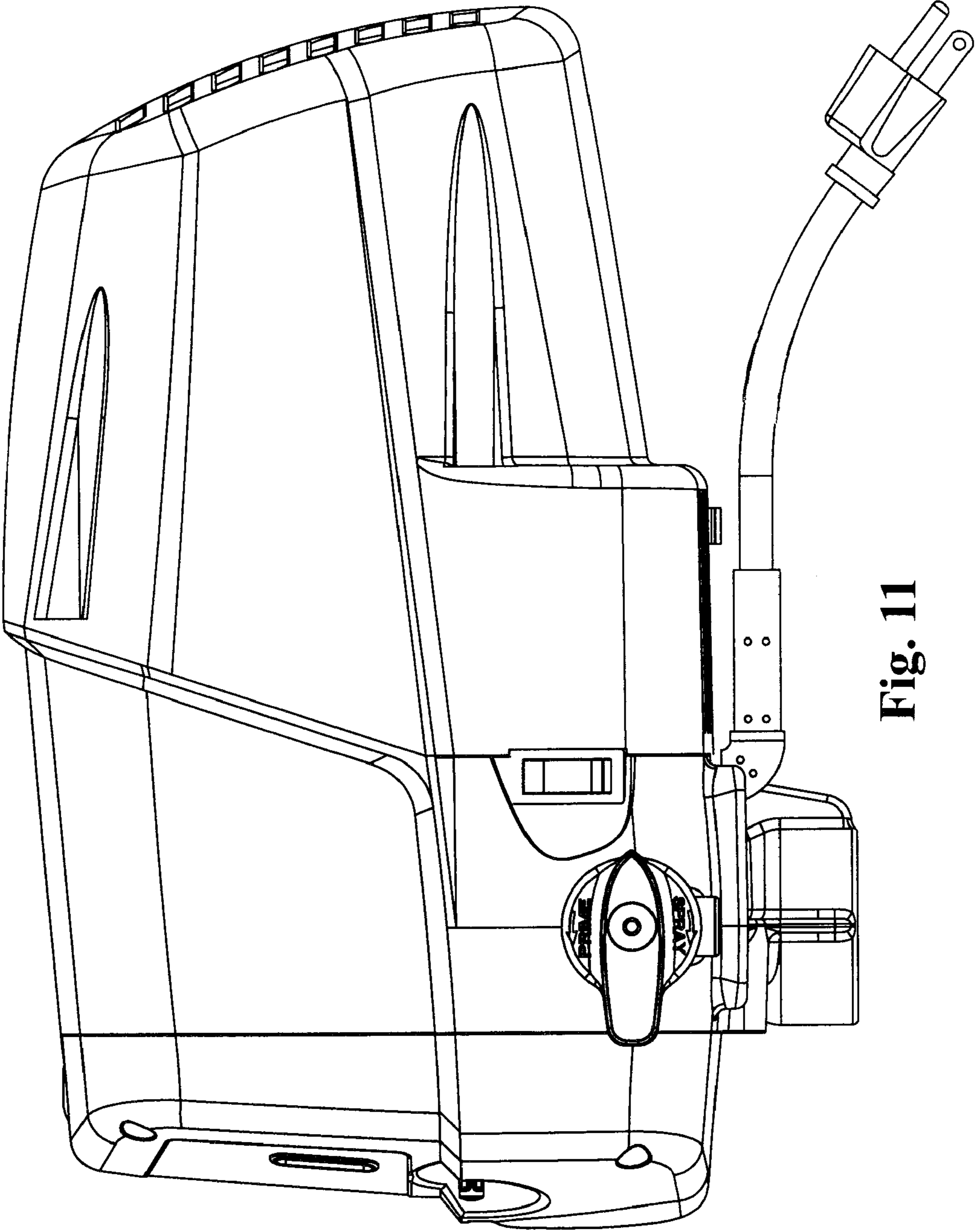


Fig. 11

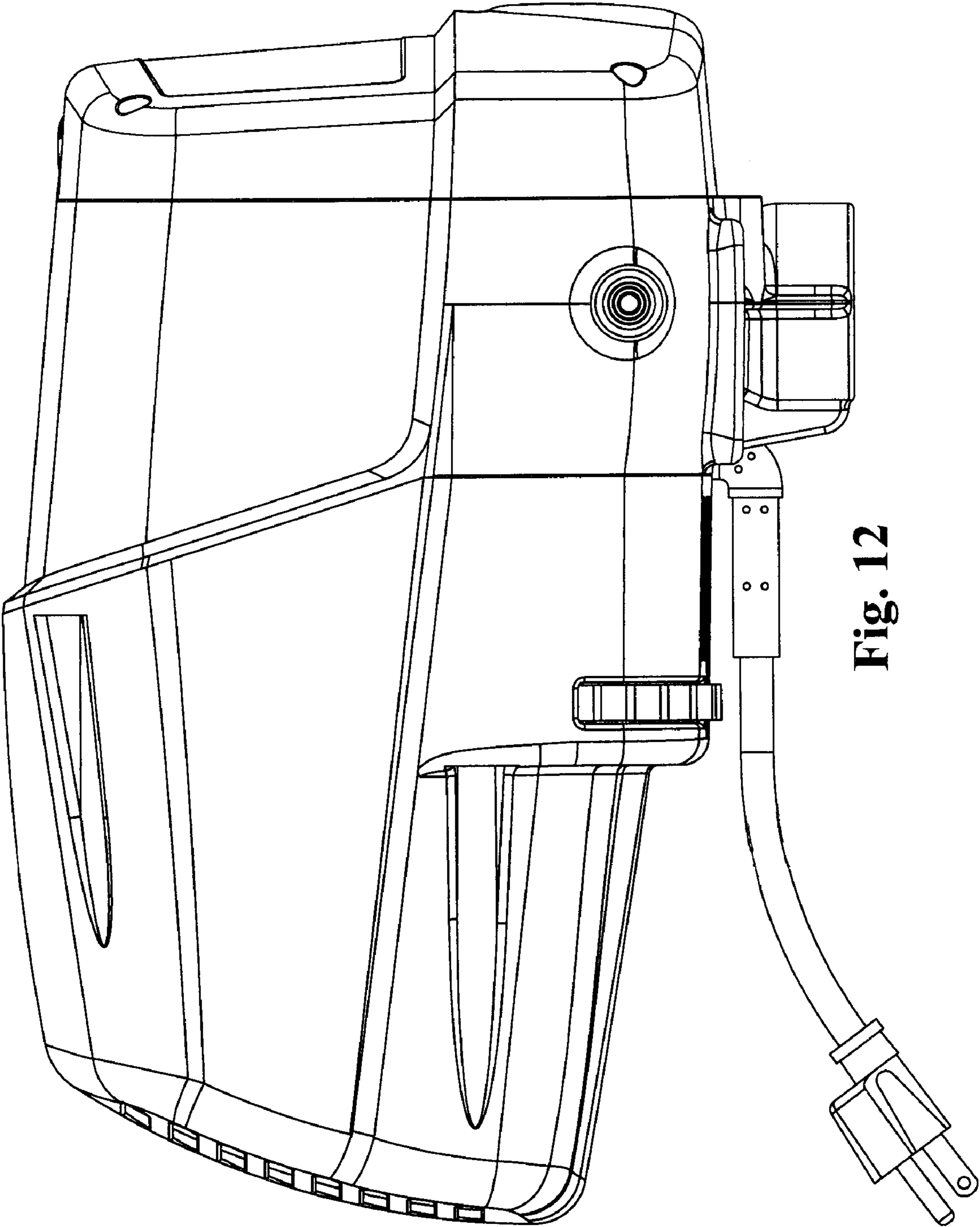


Fig. 12

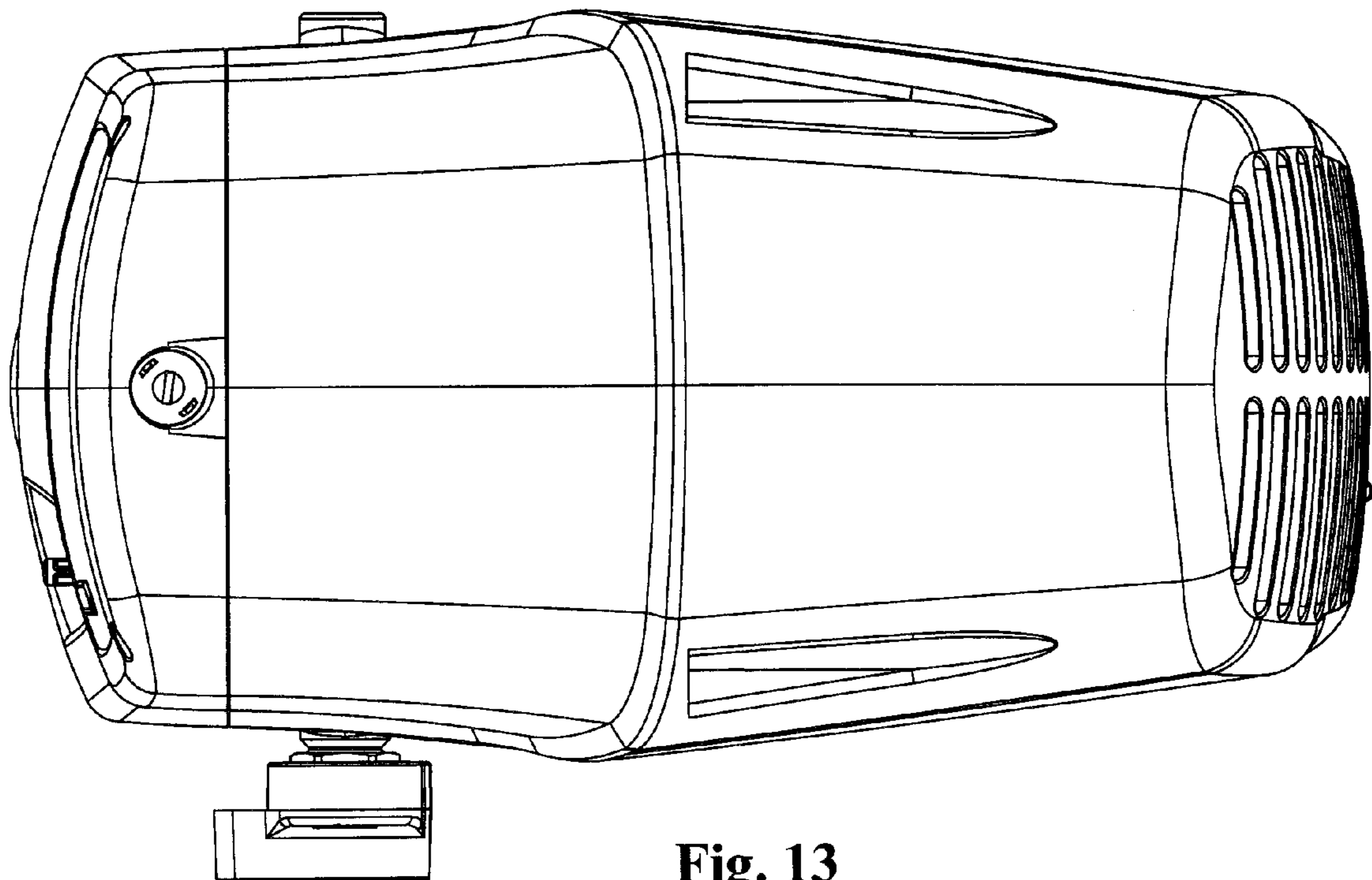


Fig. 13

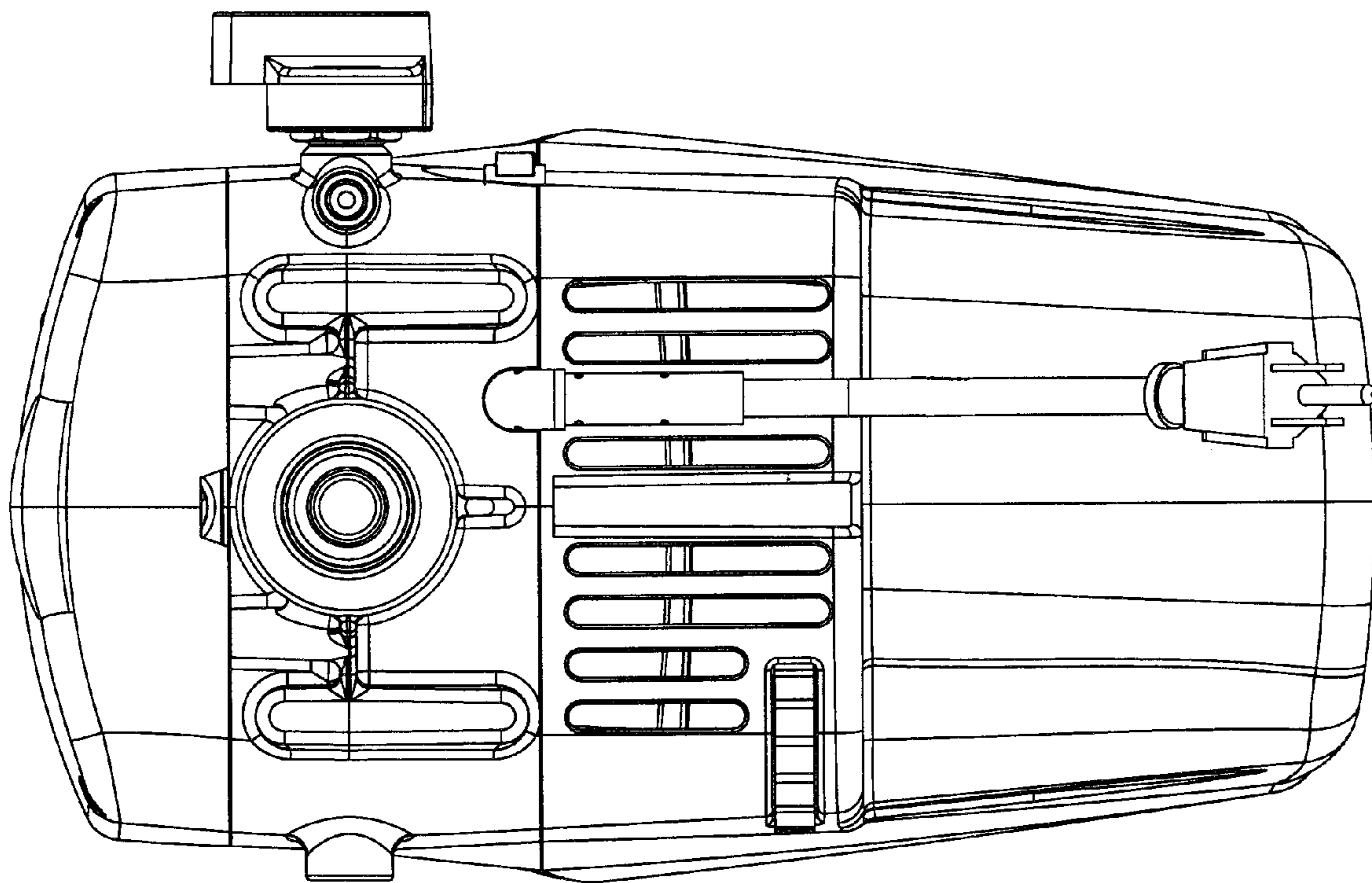


Fig. 14

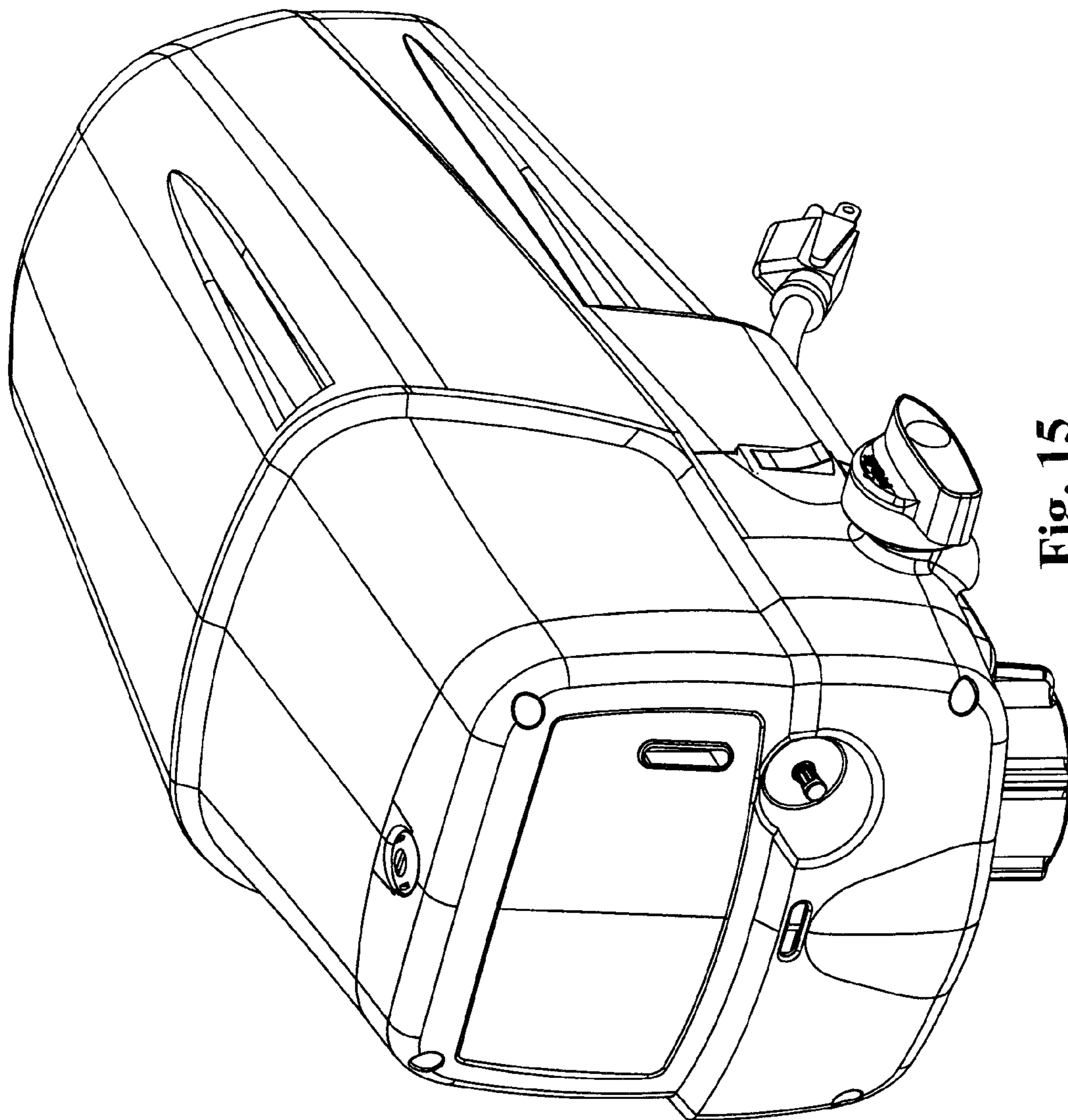


Fig. 15

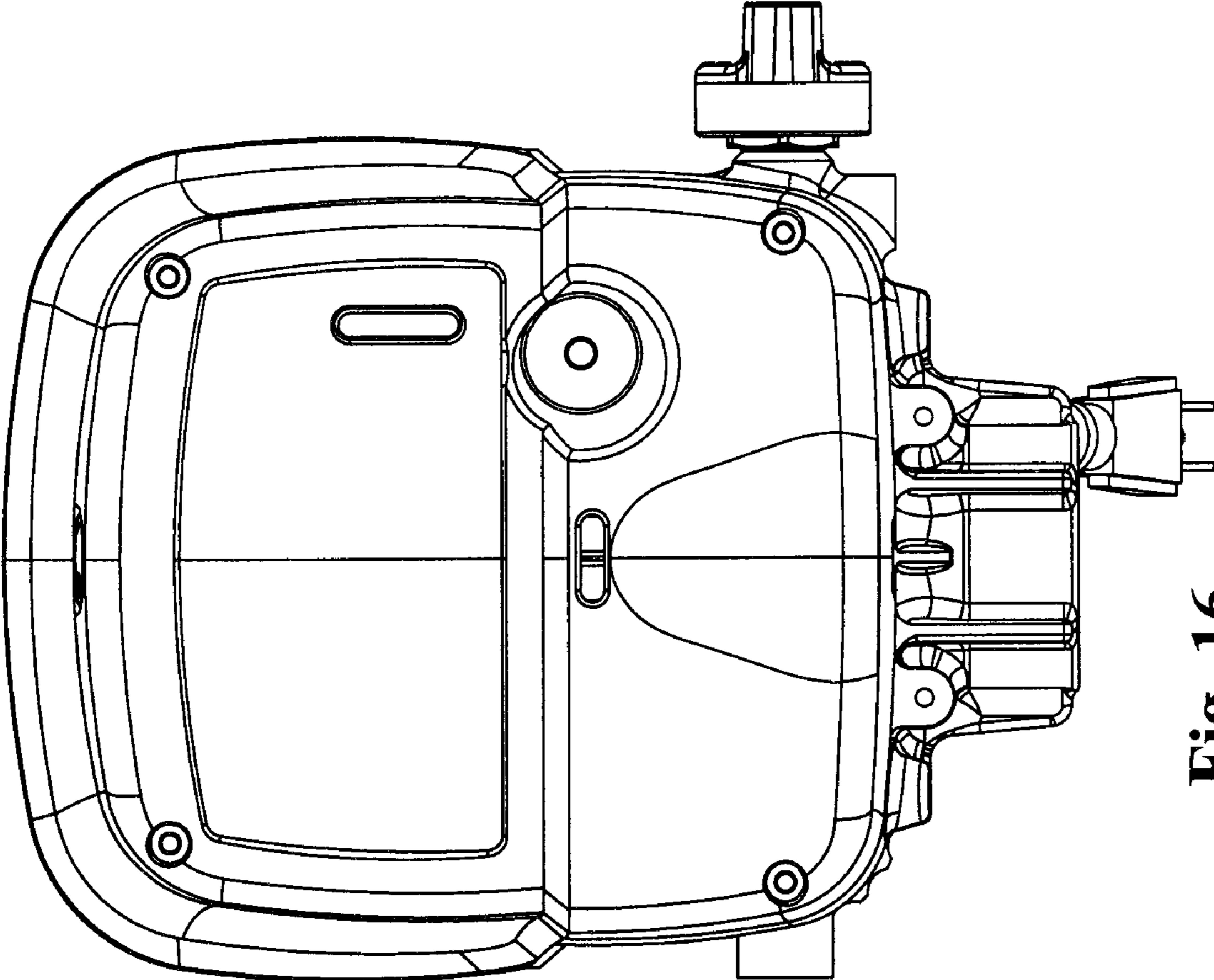


Fig. 16

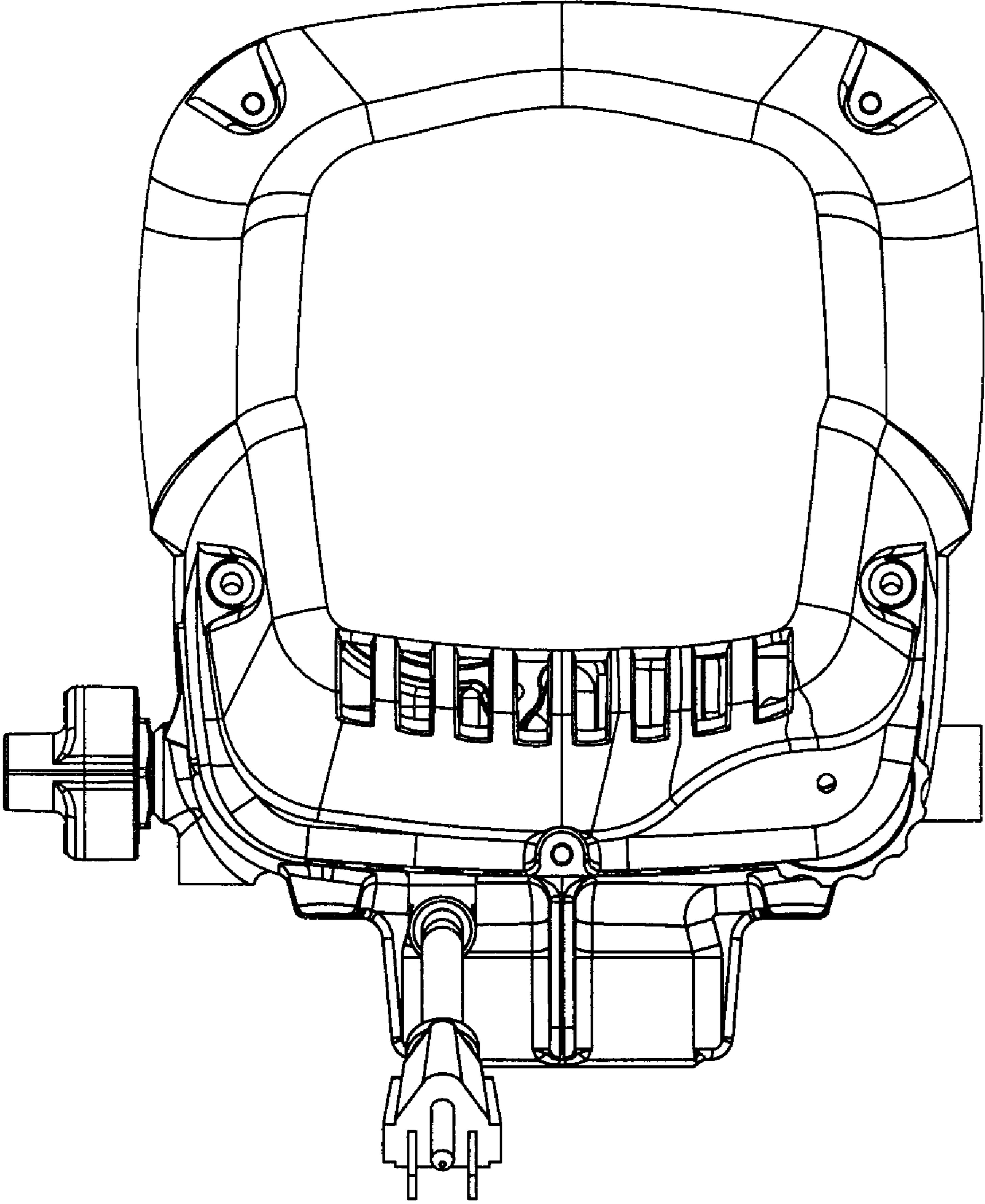


Fig. 17

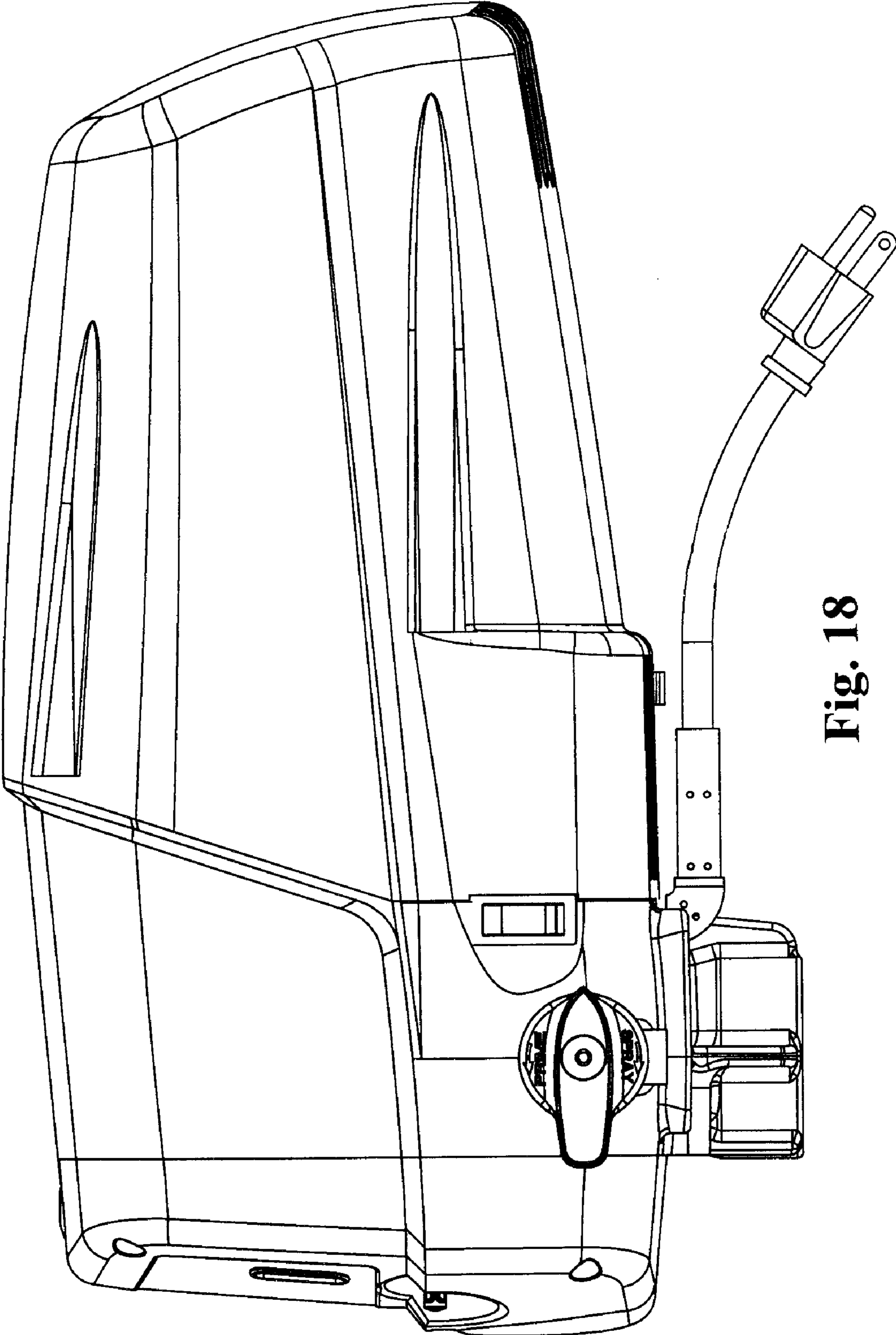


Fig. 18

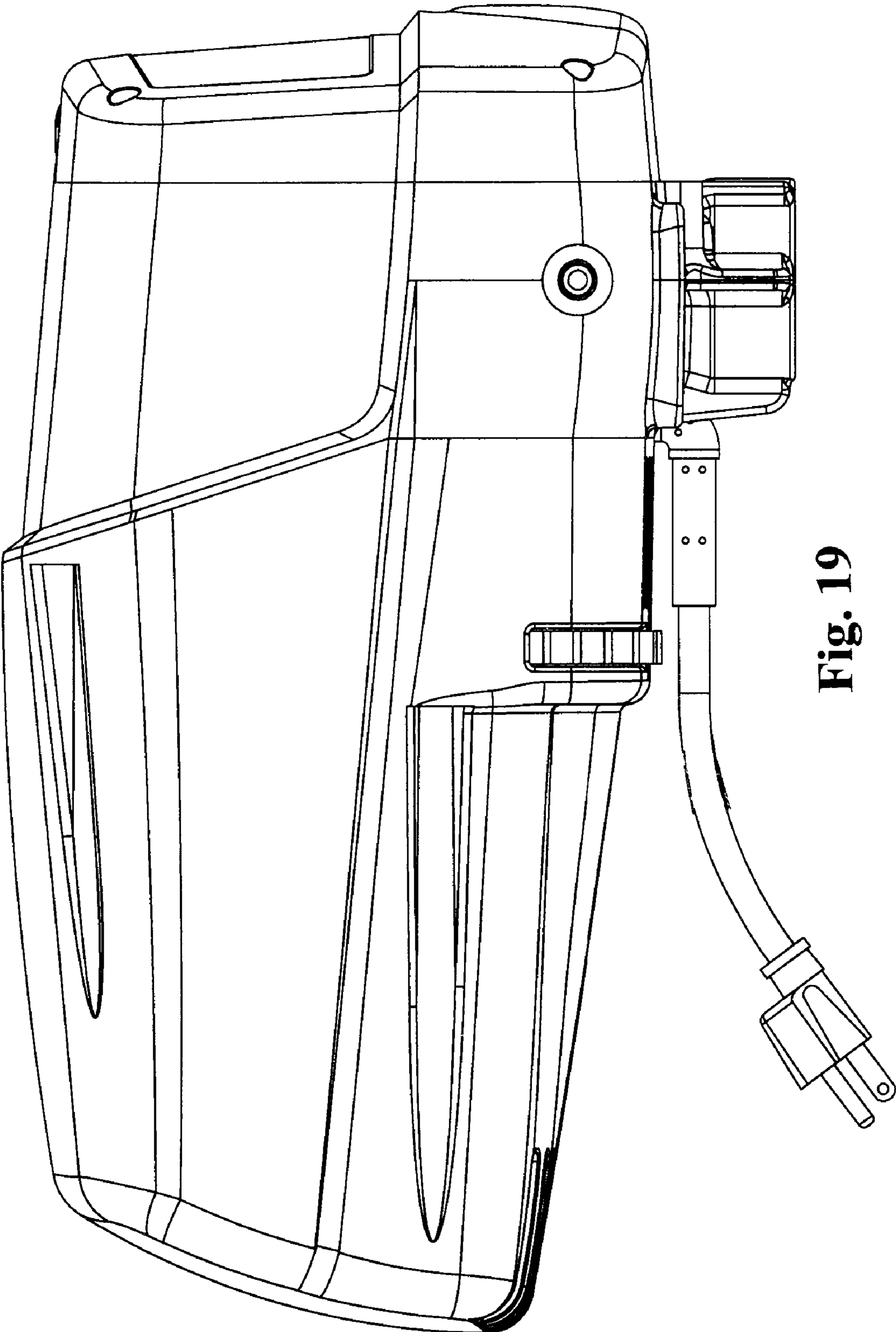


Fig. 19

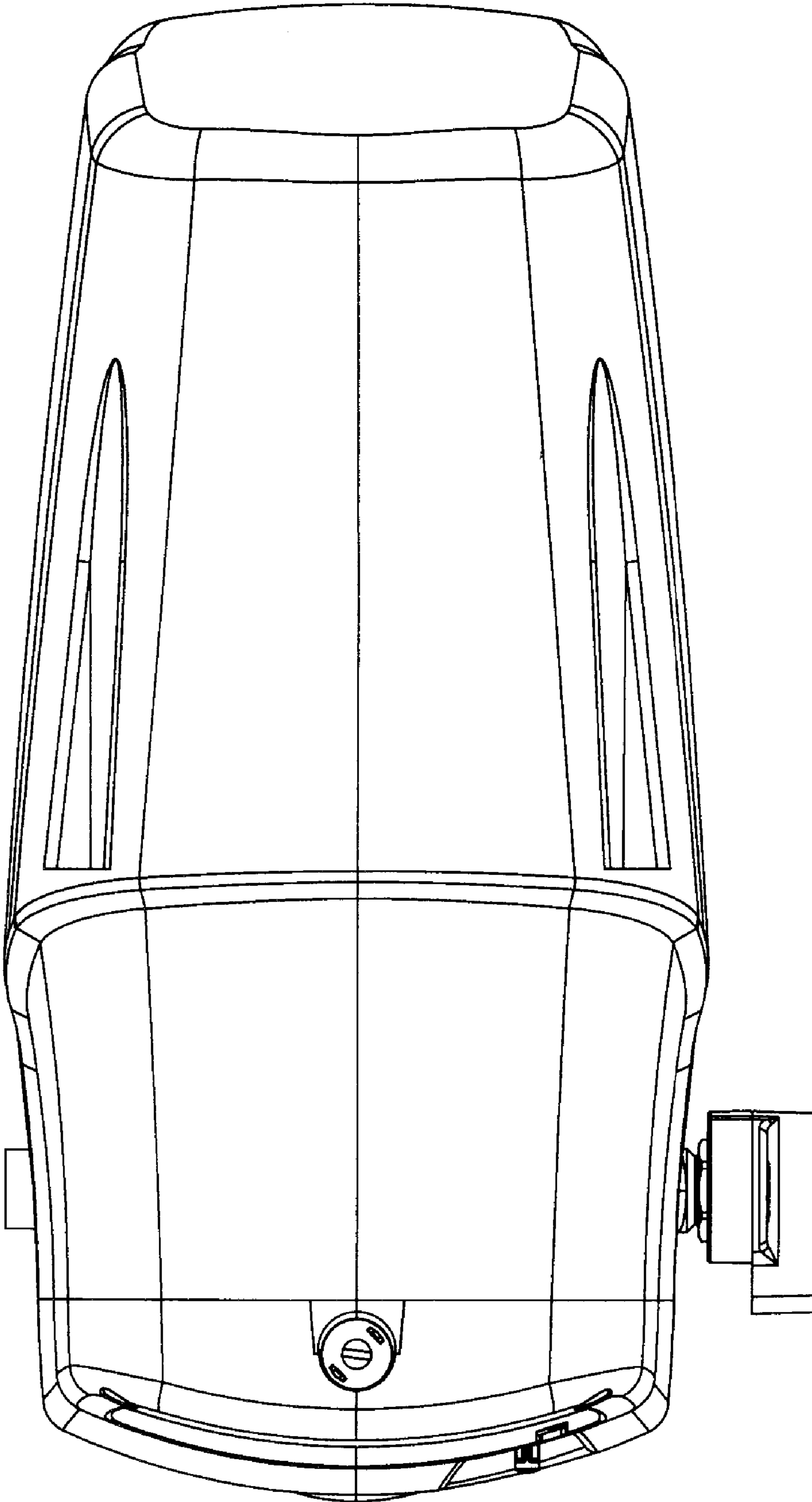


Fig. 20

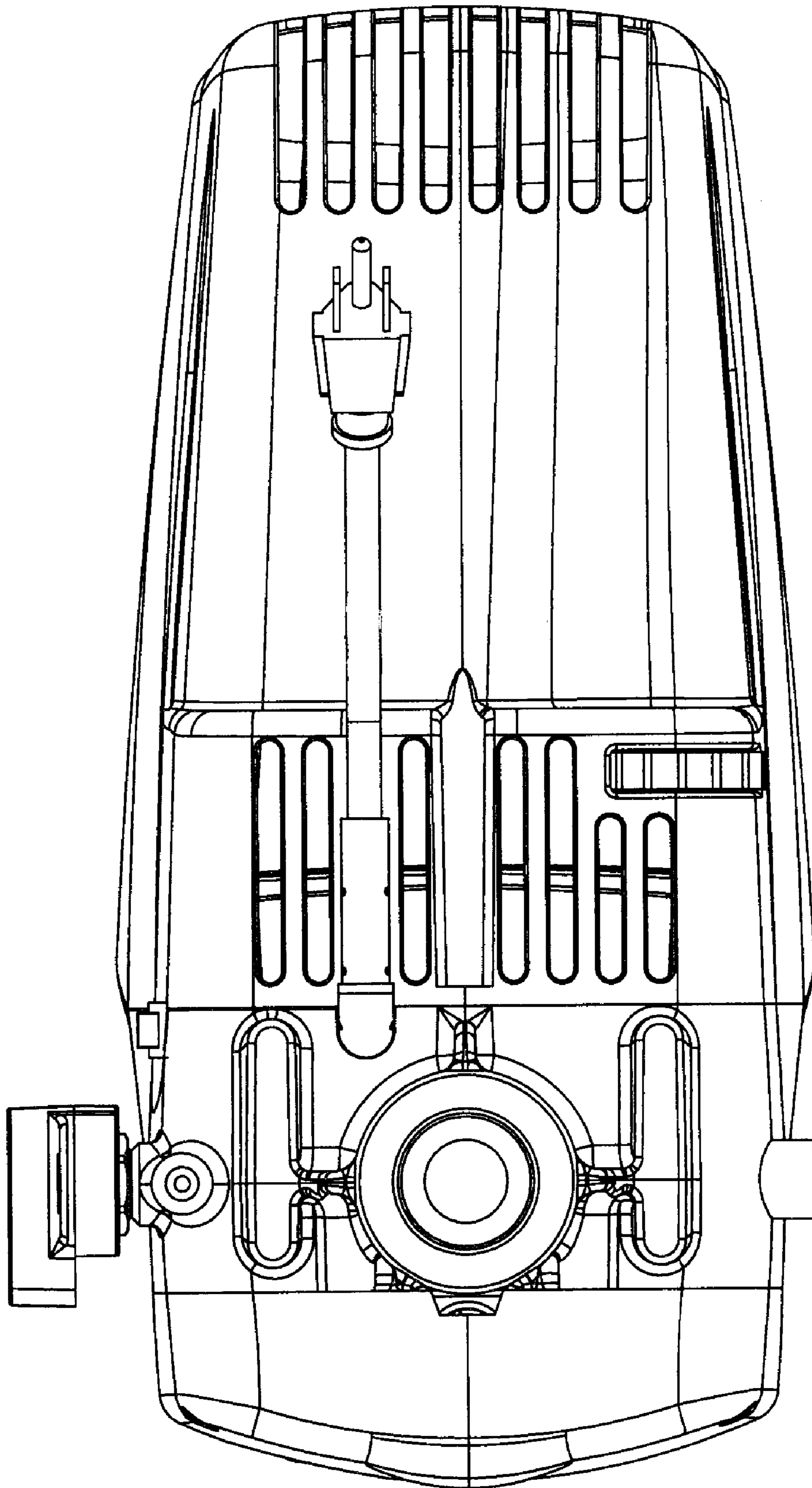


Fig. 21