



US00D557707S

(12) **United States Design Patent**
Nelson et al.

(10) **Patent No.:** **US D557,707 S**

(45) **Date of Patent:** **** Dec. 18, 2007**

(54) **INFLATION BLOCK FOR A BALLOON
INFLATION DEVICE**

(76) Inventors: **David C. Nelson**, 2727 Revere Rd.,
Akron, OH (US) 44333; **Michael J.
Frazier**, 920 Herron Dr., Waterloo, WI
(US) 53594

(**) Term: **14 Years**

(21) Appl. No.: **29/242,483**

(22) Filed: **Nov. 12, 2005**

(51) **LOC (8) Cl.** **15-02**

(52) **U.S. Cl.** **D15/7; D21/453**

(58) **Field of Classification Search** D21/439,
D21/440, 453, 454; D15/7, 9, 122, 138;
D20/1, 8; D6/512, 515, 553, 559, 509; D23/231-233,
D23/245-249; D8/14, 71, 349, 354, 371;
D10/86, 94; D7/300, 306, 313, 589, 397;
141/114, 97, 313-317, 369, 370, 372; 53/79,
53/84, 88, 385.1, 403, 459, 469; 446/220-226,
446/475, 491

See application file for complete search history.

(56) **References Cited**

U.S. PATENT DOCUMENTS

D151,952 S * 12/1948 Babcock D20/1
D198,597 S * 7/1964 Gran D7/300
D220,134 S * 3/1971 Stut D15/7
D270,119 S * 8/1983 Rhodenbaugh D6/545

D314,075 S * 1/1991 Hollerback et al. D34/13
D325,586 S * 4/1992 Carroll et al. D15/7
D333,664 S * 3/1993 Carroll D15/7
6,478,057 B1 * 11/2002 Bearss et al. 141/313
6,488,557 B1 * 12/2002 Elliott et al. 446/220
6,634,394 B1 * 10/2003 Nelson et al. 141/114
D488,338 S * 4/2004 Nelson et al. D6/512

* cited by examiner

Primary Examiner—Catherine Tuttle

(74) *Attorney, Agent, or Firm*—Renner, Kenner, Greive,
Bobak, Taylor & Weber

(57) **CLAIM**

The ornamental design for a inflation block for a balloon
inflation device, as shown and described.

DESCRIPTION

FIG. 1 is a front elevational view of the device;

FIG. 2 is a top view;

FIG. 3 is a right side elevational view;

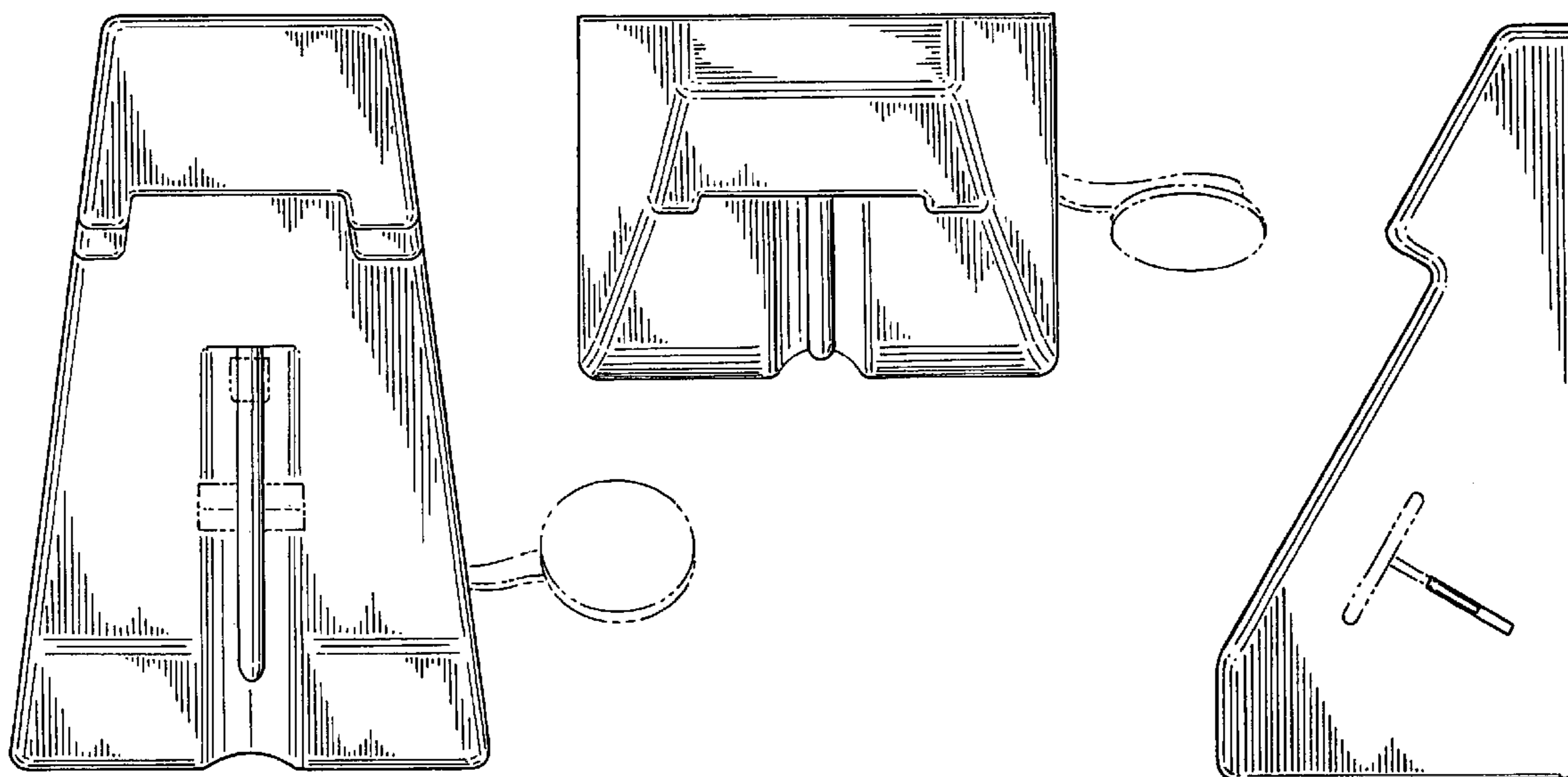
FIG. 4 is a left side elevational view;

FIG. 5 is a bottom view; and,

FIG. 6 is a rear elevational view.

The broken lines are included for the purpose of illustrating
unclaimed portions of the inflation block, and form no part
of the claimed design.

1 Claim, 2 Drawing Sheets



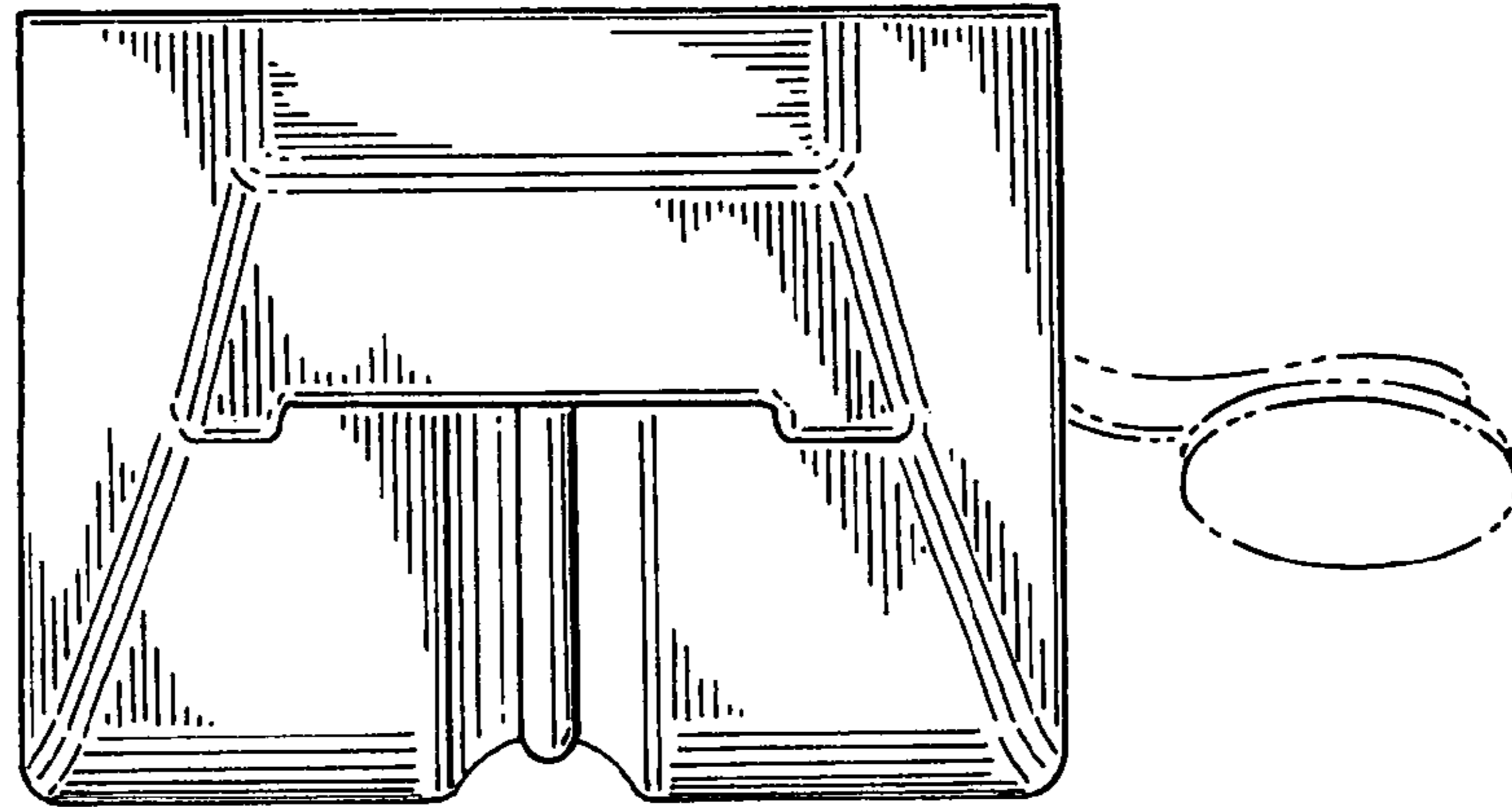


FIG.-2

FIG.-1

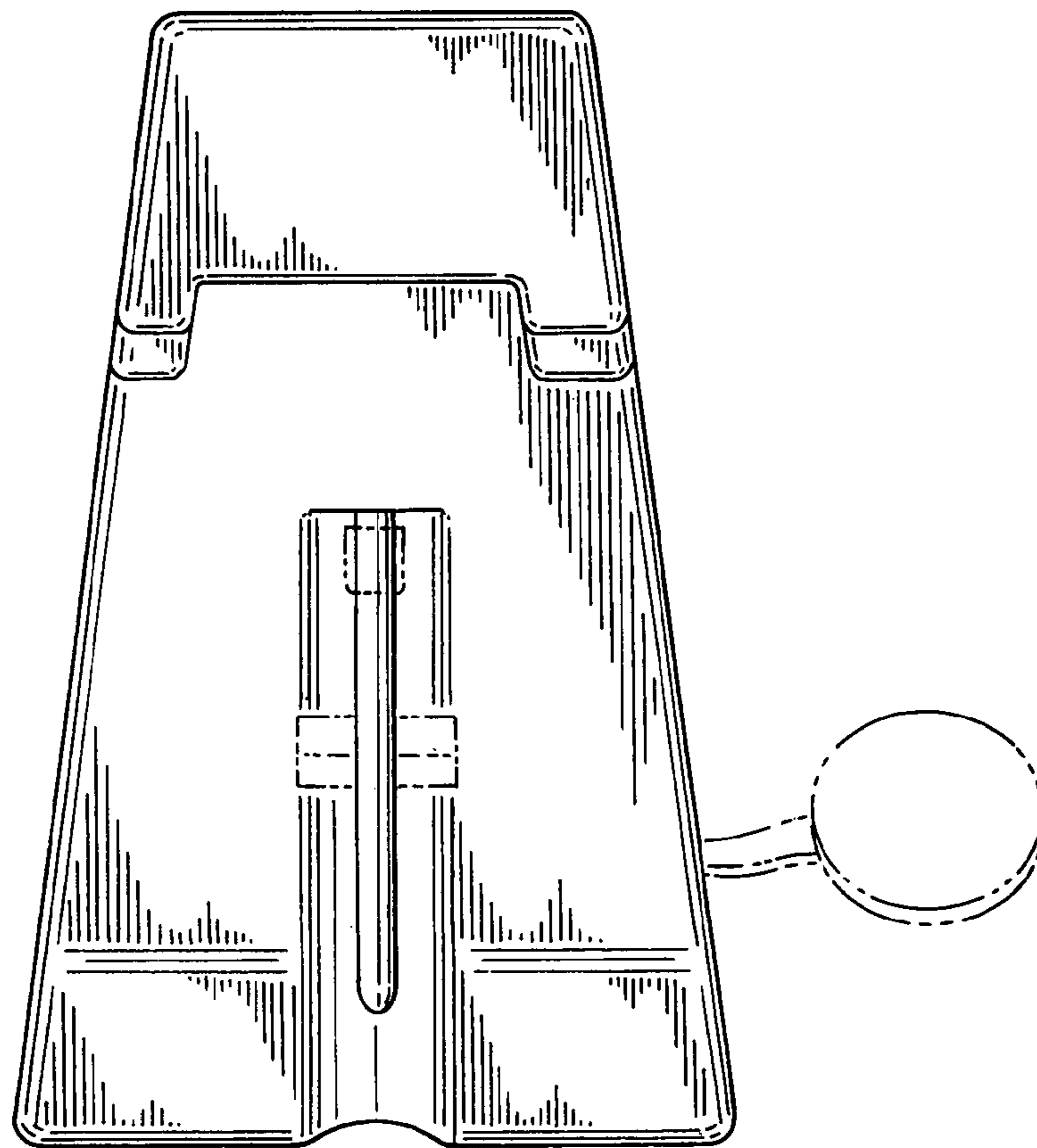


FIG.-3

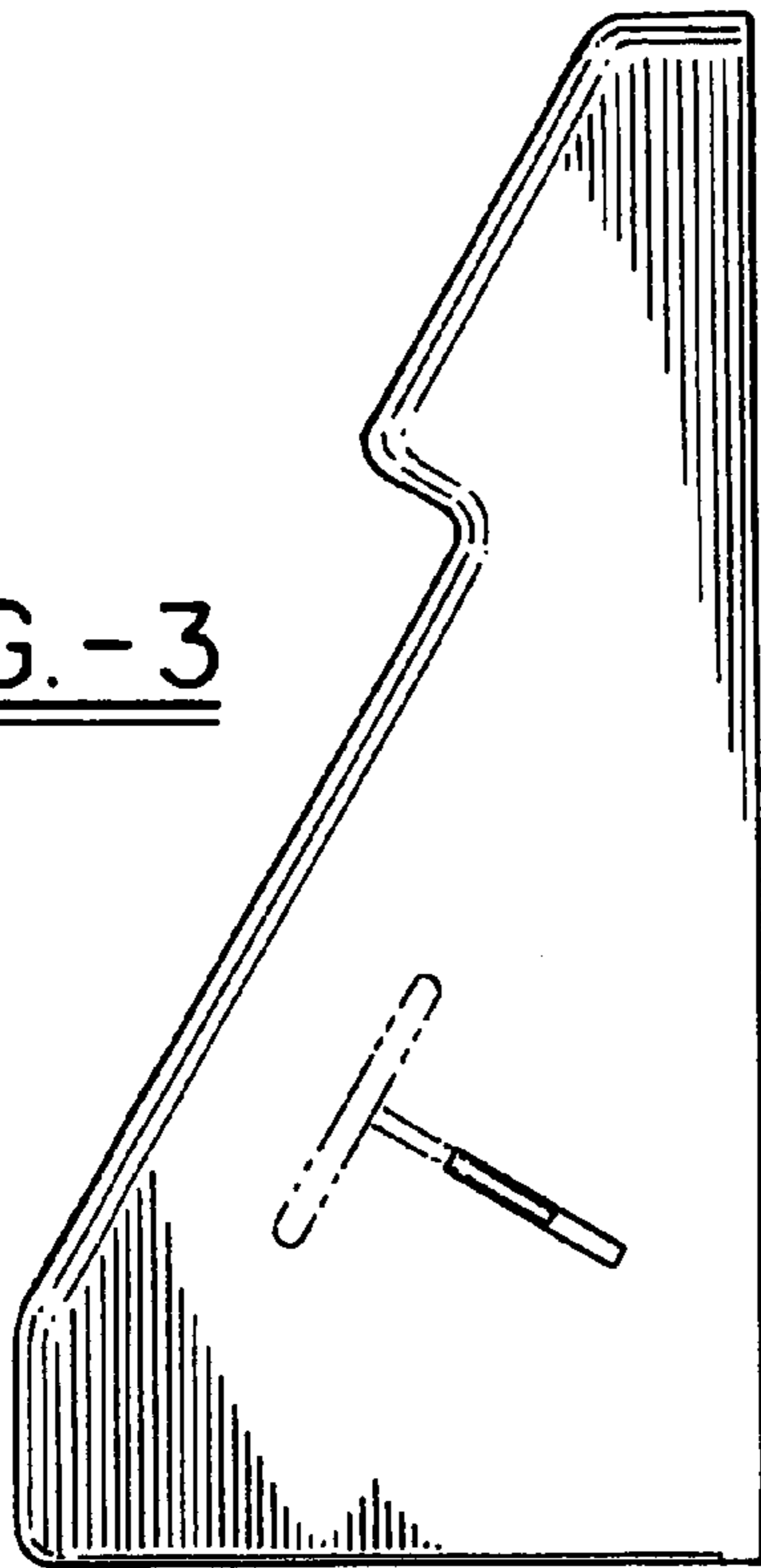


FIG.-4

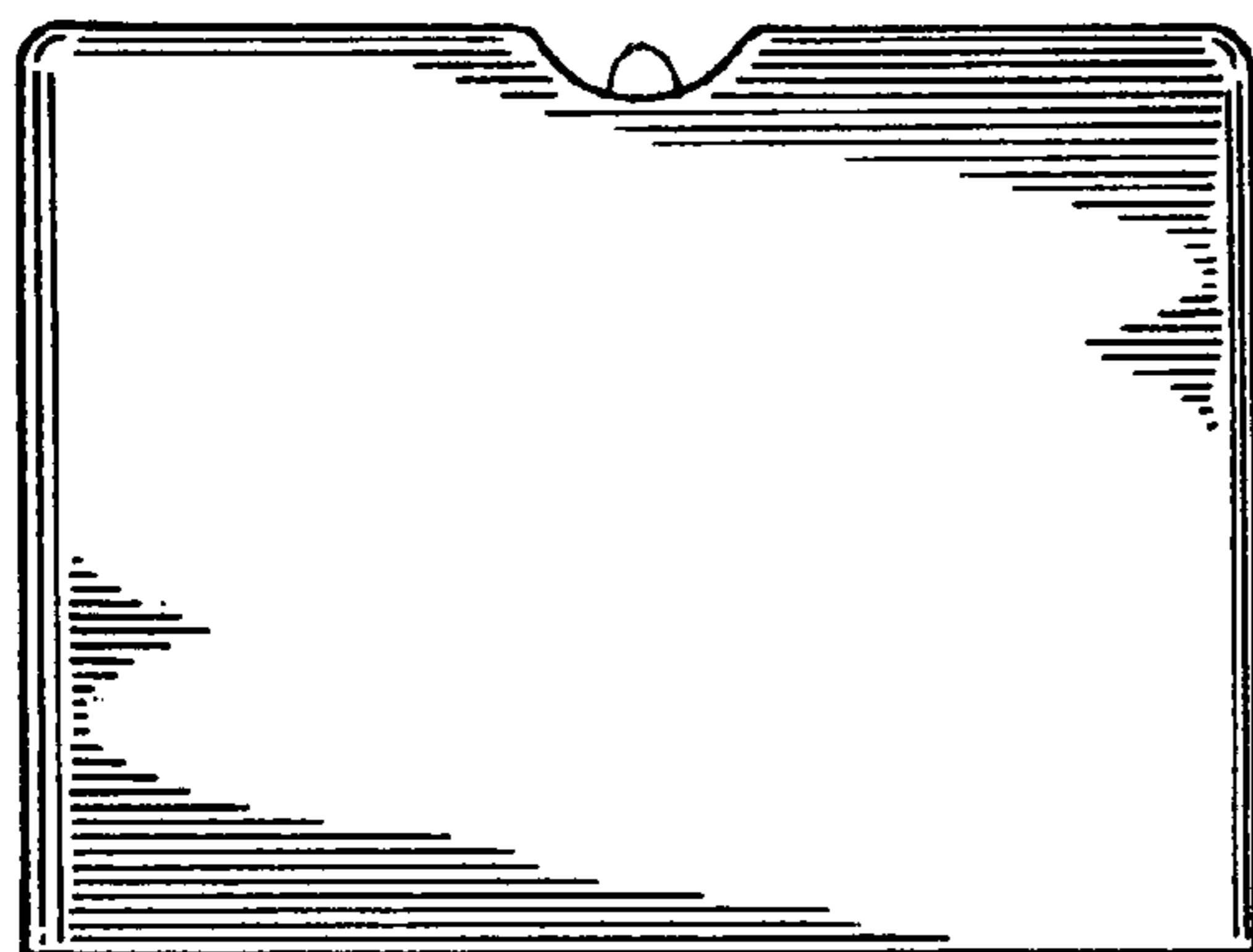
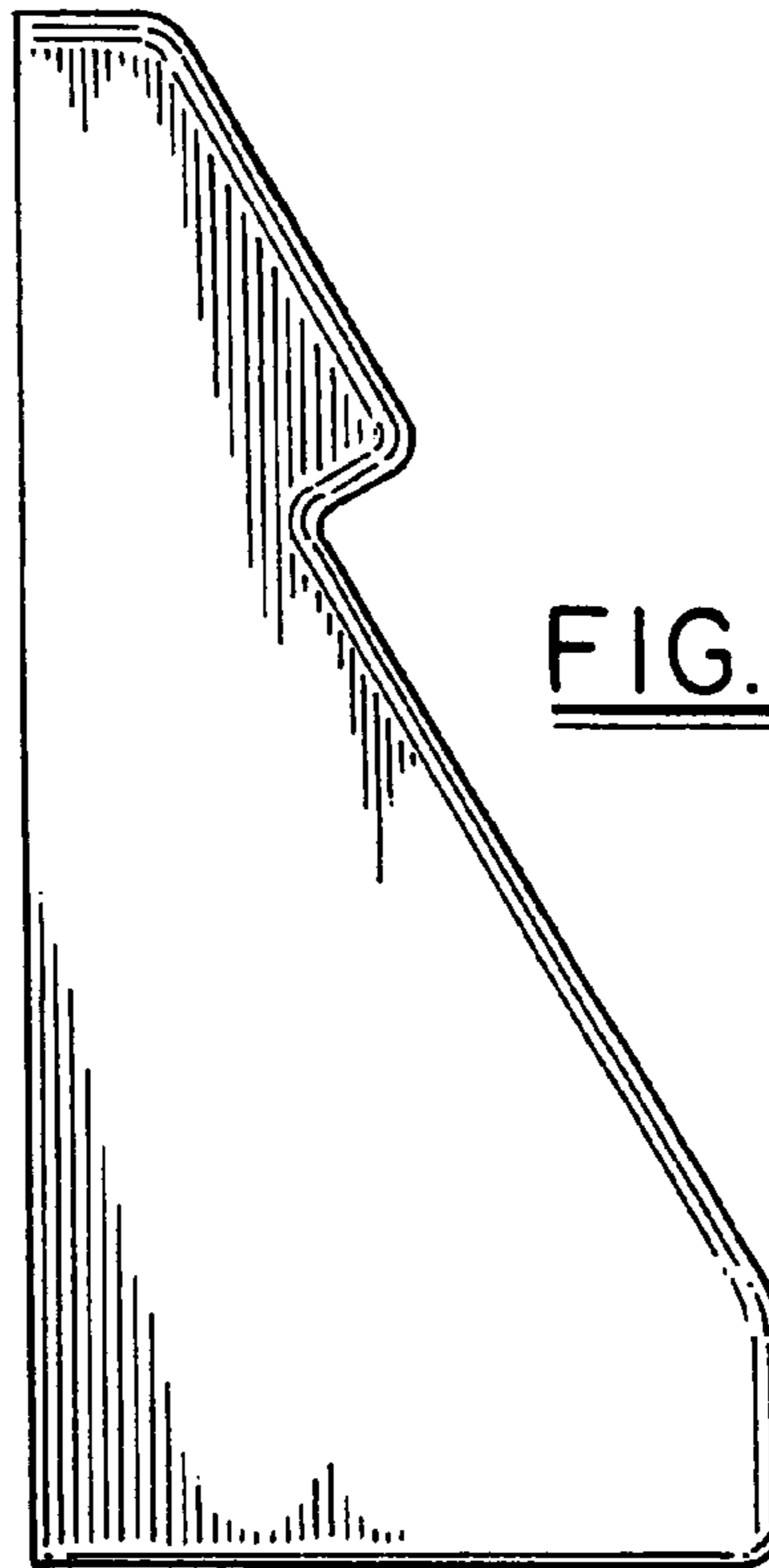


FIG.-5

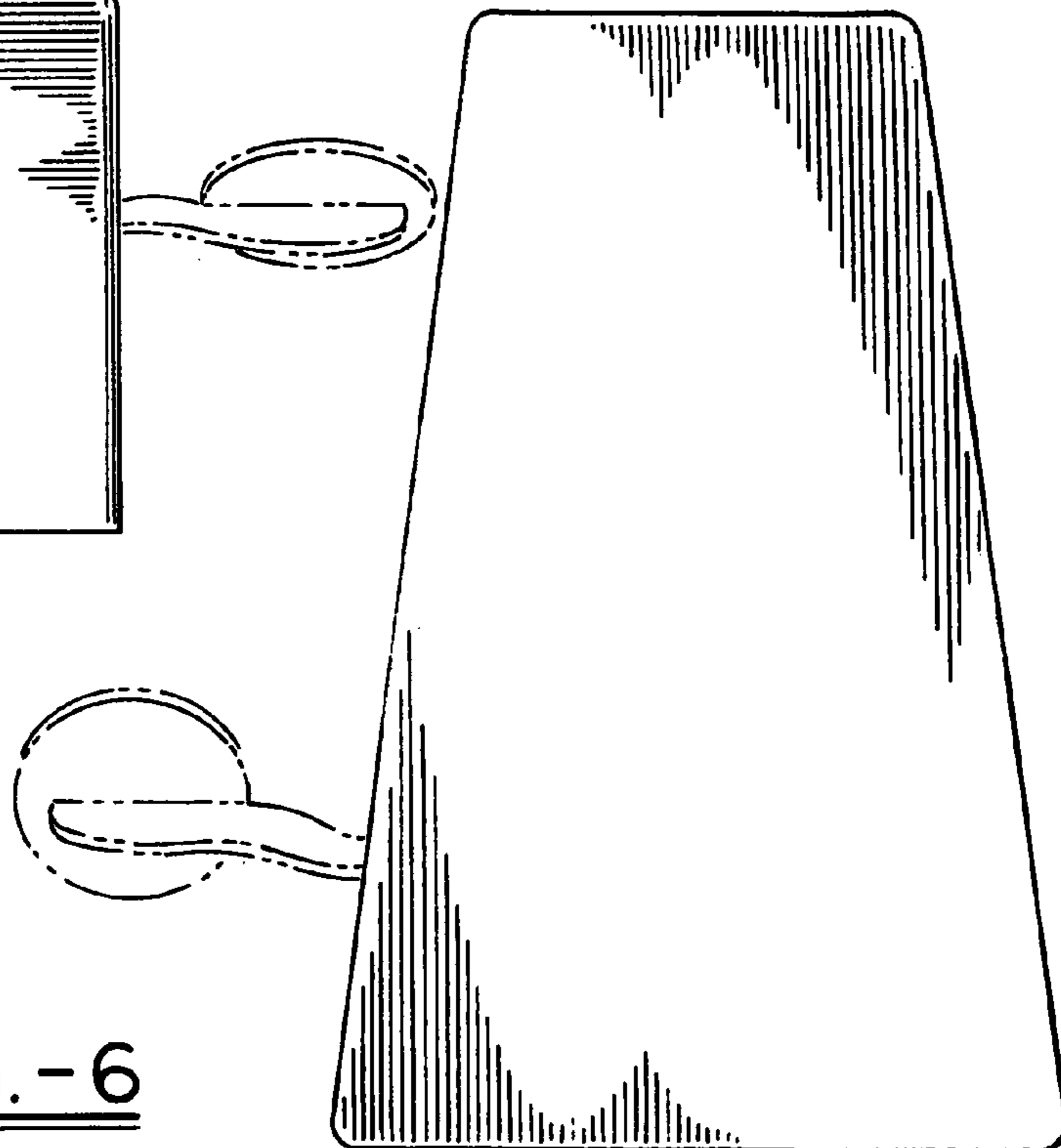


FIG.-6