

US00D557699S

(12) **United States Design Patent**  
**Kim et al.**

(10) **Patent No.:** **US D557,699 S**

(45) **Date of Patent:** **\*\* Dec. 18, 2007**

(54) **GRAPHIC USER INTERFACE FOR A DIGITAL CAMCORDER**

(75) Inventors: **Na-Young Kim**, Yongin (KR); **Ji-Hyun Lee**, Suwon (KR)

(73) Assignee: **Samsung Electronics Co., Ltd.**, Suwon-Si (KR)

(\*\*) Term: **14 Years**

(21) Appl. No.: **29/265,839**

(22) Filed: **Sep. 11, 2006**

(30) **Foreign Application Priority Data**

Mar. 23, 2006 (KR) ..... 30-2006-0010836

(51) **LOC (8) Cl.** ..... **14-04**

(52) **U.S. Cl.** ..... **D14/485**

(58) **Field of Classification Search** ..... D14/129, D14/485-95; D18/24-33; D19/6; D20/11; D21/324-33; 715/536, 700, 703, 715-23, 715/727-8, 731, 734, 737-9, 748, 752-3, 715/759, 763-5, 768, 774-6, 792, 808-15, 715/819-20, 821-823, 825, 828-30, 835-41, 715/843, 845-7, 864, 867, 963, 967, 973, 715/975-978; 345/902, 952

See application file for complete search history.

(56) **References Cited**

**U.S. PATENT DOCUMENTS**

5,537,530	A *	7/1996	Edgar et al.	715/723
5,610,653	A *	3/1997	Abecassis	348/170
5,696,919	A *	12/1997	Masuno et al.	715/841
5,966,122	A *	10/1999	Itoh	715/838
D522,559	S *	6/2006	Naito et al.	D16/219

(Continued)

*Primary Examiner*—Alan P. Douglas

*Assistant Examiner*—Angela J. Lee

(74) *Attorney, Agent, or Firm*—Staas & Halsey LLP

(57) **CLAIM**

The ornamental design for a graphic user interface for a digital camcorder, as shown and described.

**DESCRIPTION**

FIG. 1 is a perspective view of a graphic user interface for a digital camcorder according to our new design;

FIG. 2 is a front elevational view thereof;

FIG. 3 is a rear elevational view thereof;

FIG. 4 is a left side elevational view thereof;

FIG. 5 is a right side elevational view thereof;

FIG. 6 is a top plan view thereof; and

FIG. 7 is a bottom plan view thereof.

FIG. 8 is an enlarged view of the graphic user interface for a digital camcorder shown in FIG. 2.

FIG. 9 is an exploded view of a second embodiment thereof;

FIG. 10 is an exploded view of a third embodiment thereof;

FIG. 11 is an exploded view of a fourth embodiment thereof;

FIG. 12 is an exploded view of a fifth embodiment thereof;

FIG. 13 is an exploded view of a sixth embodiment thereof;

FIG. 14 is an exploded view of a seventh embodiment thereof;

FIG. 15 is an exploded view of an eighth embodiment thereof;

FIG. 16 is an exploded view of a ninth embodiment thereof;

FIG. 17 is an exploded view of a tenth embodiment thereof;

FIG. 18 is an exploded view of a eleventh embodiment thereof; and,

FIG. 19 is an exploded view of a twelfth embodiment thereof.

The surface(s) or portion(s) of the article not shown in the drawing or described in the specification form(s) no part of the claimed design. The broken line in the drawing is for illustrative purpose only and forms no part of the claimed design.

The surface(s) or portion(s) of the article not shown in the drawing or described in the specification form(s) no part of the claimed design. The broken line in the drawing is for illustrative purpose only and forms no part of the claimed design.

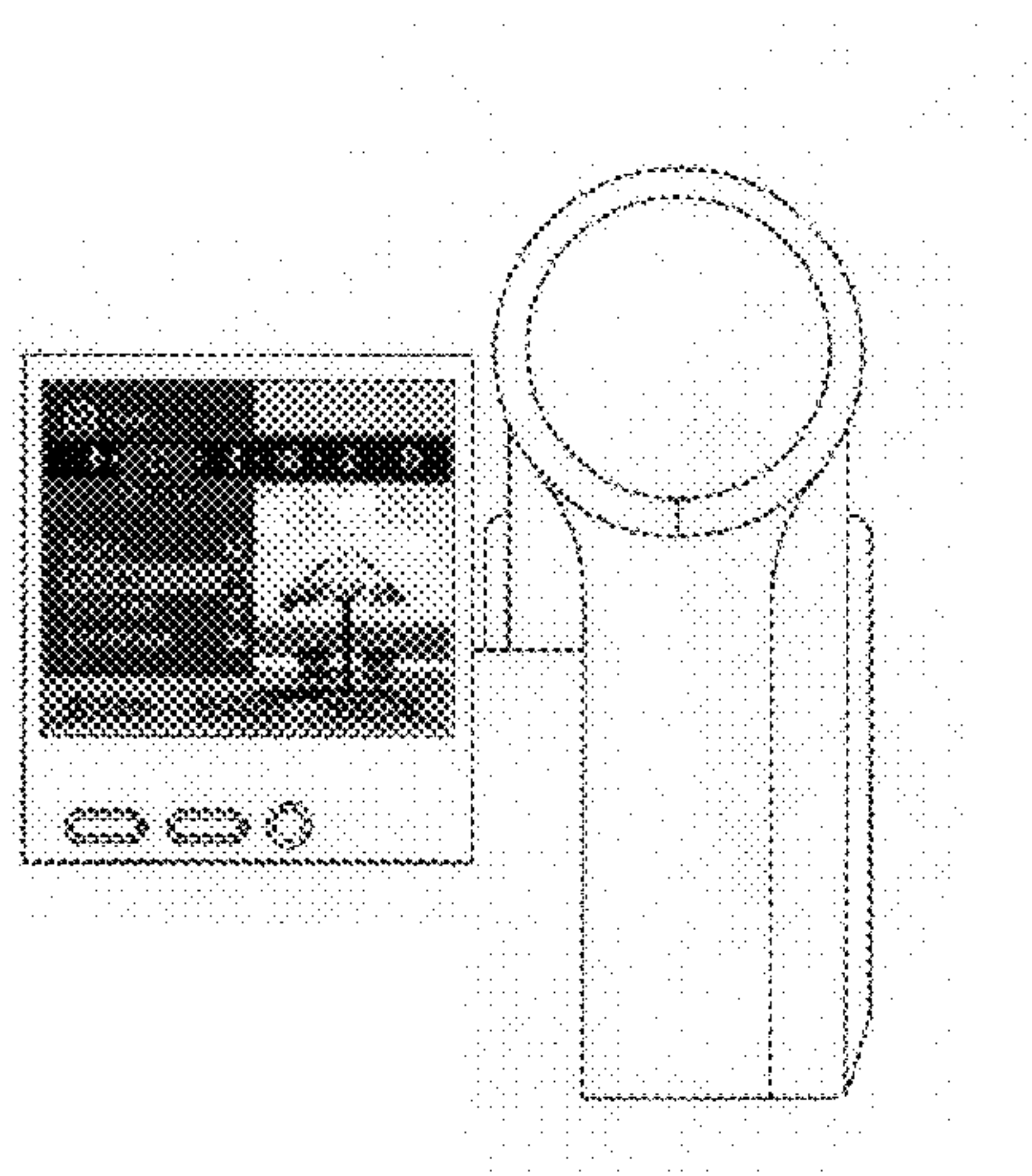
The surface(s) or portion(s) of the article not shown in the drawing or described in the specification form(s) no part of the claimed design. The broken line in the drawing is for illustrative purpose only and forms no part of the claimed design.

The surface(s) or portion(s) of the article not shown in the drawing or described in the specification form(s) no part of the claimed design. The broken line in the drawing is for illustrative purpose only and forms no part of the claimed design.

The surface(s) or portion(s) of the article not shown in the drawing or described in the specification form(s) no part of the claimed design. The broken line in the drawing is for illustrative purpose only and forms no part of the claimed design.

The surface(s) or portion(s) of the article not shown in the drawing or described in the specification form(s) no part of the claimed design. The broken line in the drawing is for illustrative purpose only and forms no part of the claimed design.

**1 Claim, 19 Drawing Sheets**



# US D557,699 S

Page 2

---

## U.S. PATENT DOCUMENTS

7,134,092	B2 *	11/2006	Fung et al. ....	715/779	2006/0015826	A1 *	1/2006	Shiozawa et al. ....	715/864
2002/0054116	A1 *	5/2002	Pavley et al. ....	345/765	2006/0184871	A1 *	8/2006	Waters .....	715/512
2004/0100505	A1 *	5/2004	Cazier .....	345/811	2006/0184900	A1 *	8/2006	Ishii et al. ....	715/835
2005/0039140	A1 *	2/2005	Chen .....	715/810	2006/0242601	A1 *	10/2006	Imadate .....	715/835
2005/0210410	A1 *	9/2005	Ohwa et al. ....	715/821	2006/0259864	A1 *	11/2006	Klein et al. ....	715/738
2005/0216862	A1 *	9/2005	Shinohara et al. ....	715/825	2007/0011610	A1 *	1/2007	Sethi et al. ....	715/700
2005/0283737	A1 *	12/2005	Ha .....	715/776					

\* cited by examiner



FIG. 1

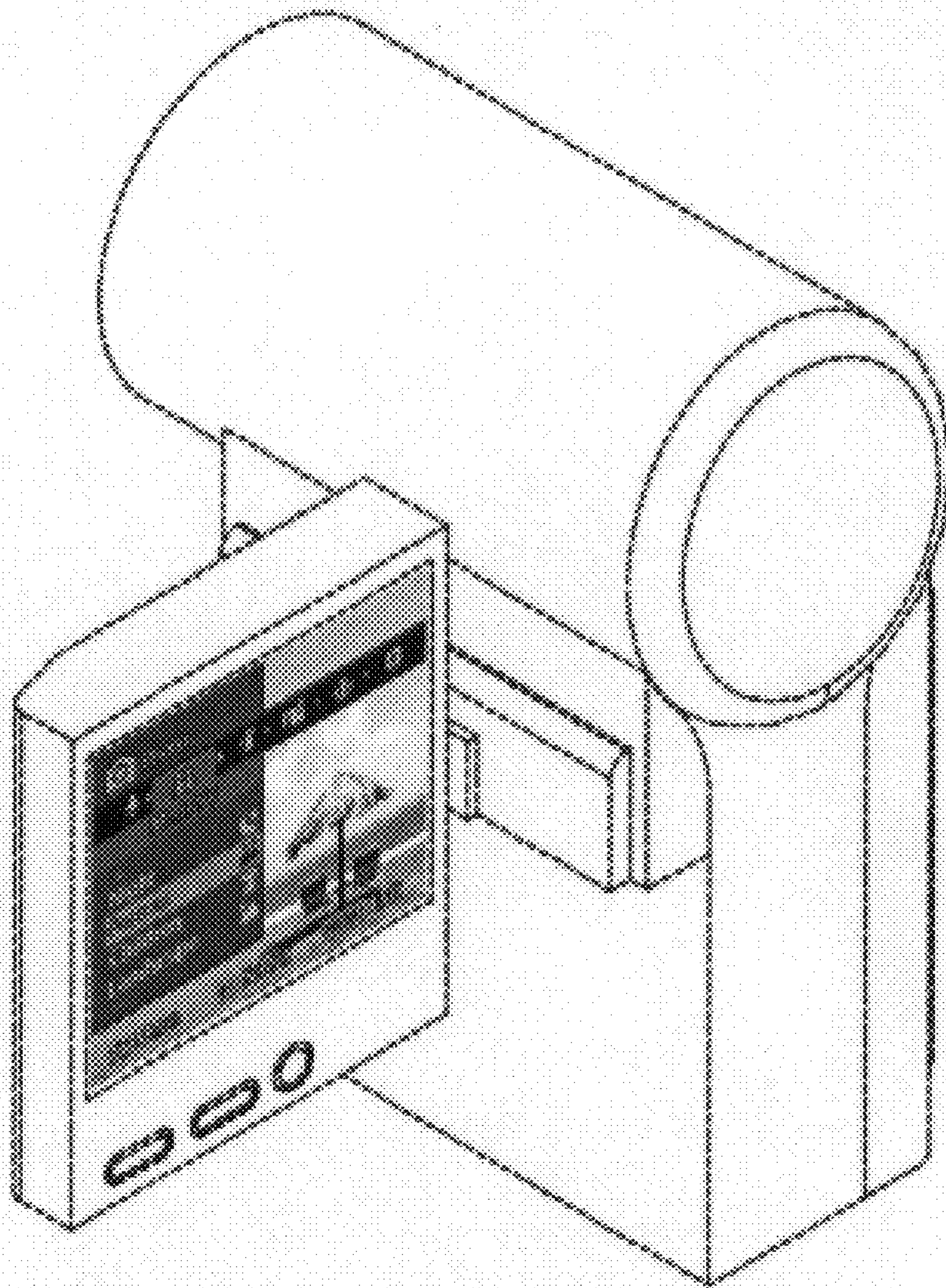


FIG. 2

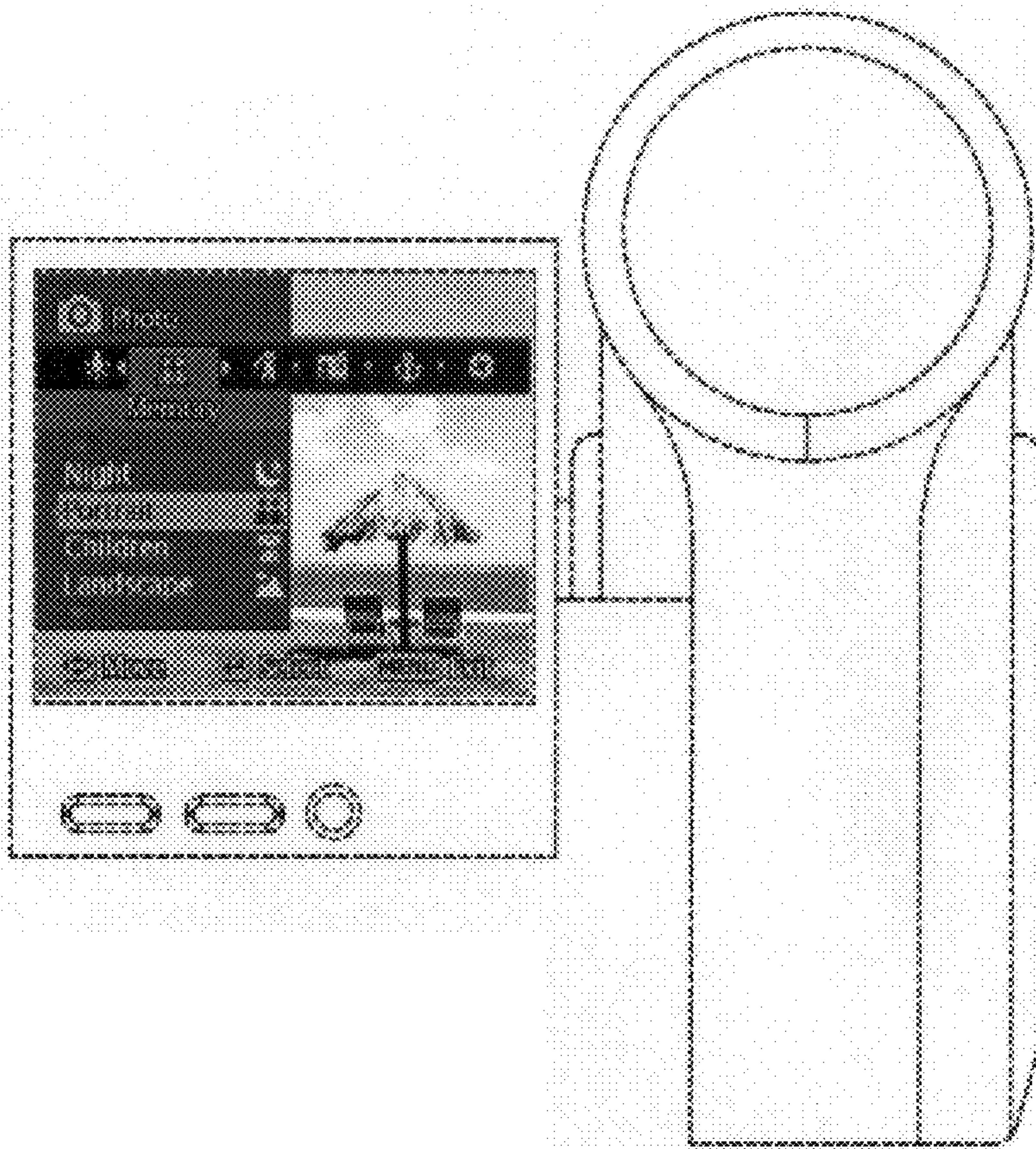


FIG. 3

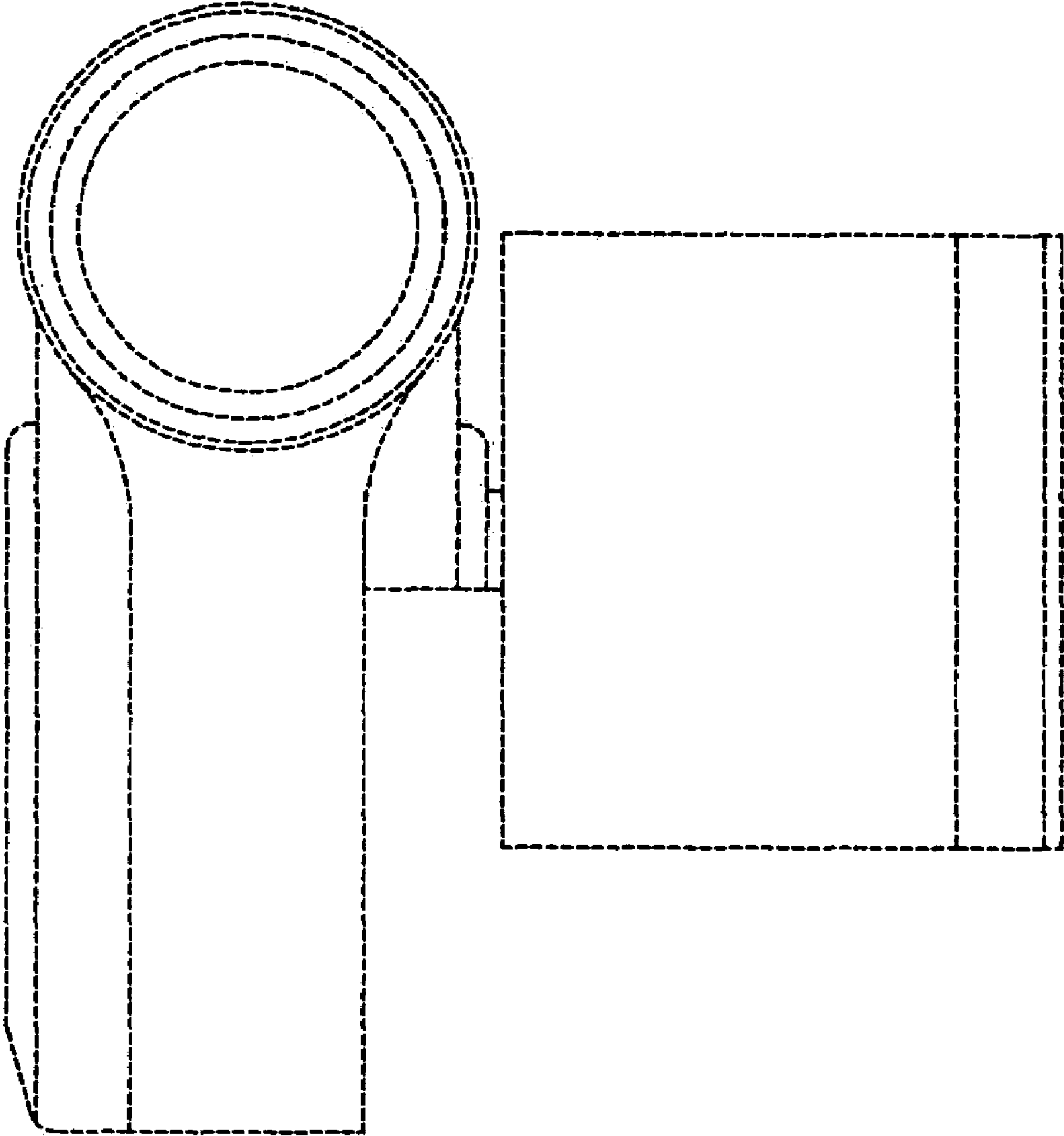




FIG. 4

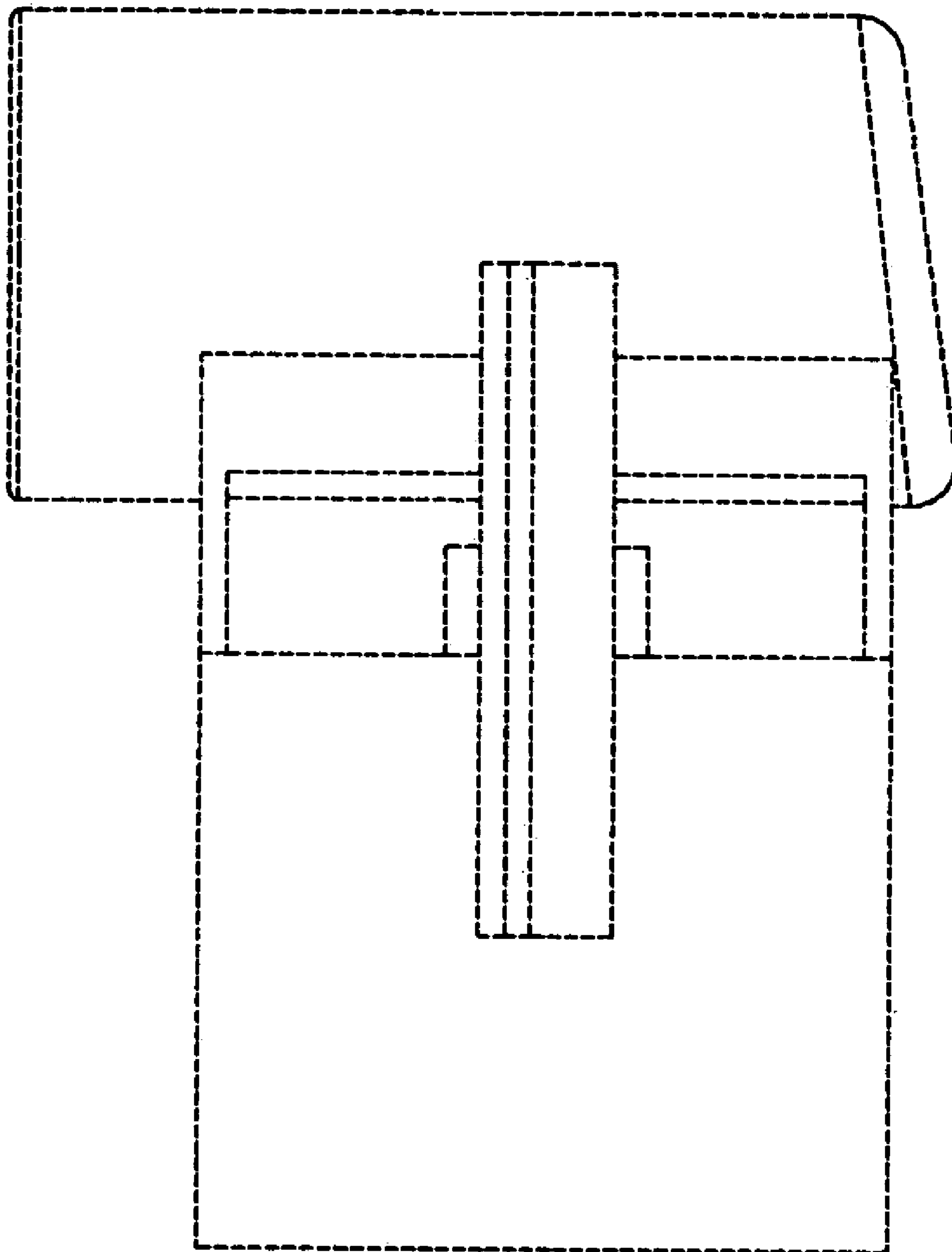


FIG. 5

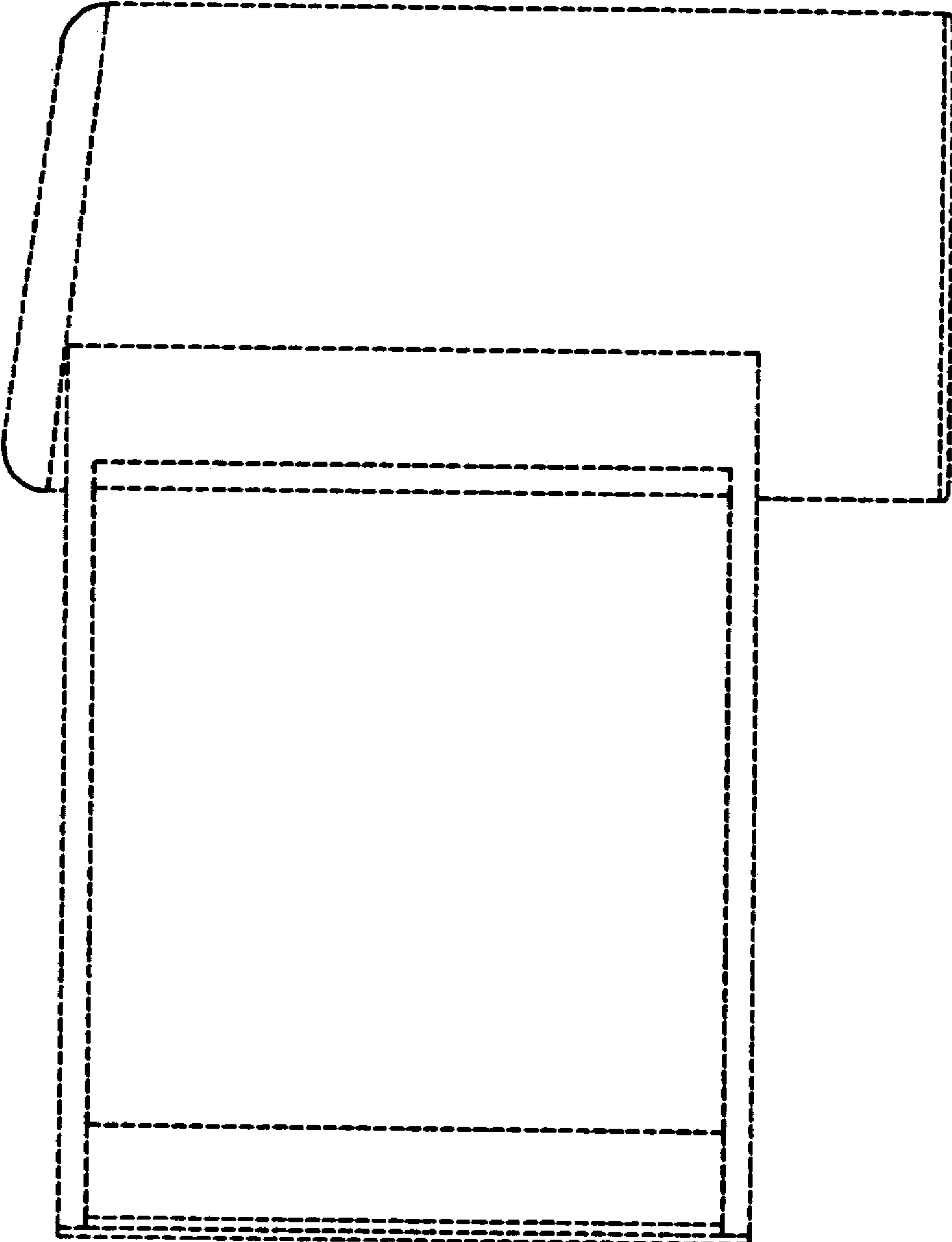


FIG. 6

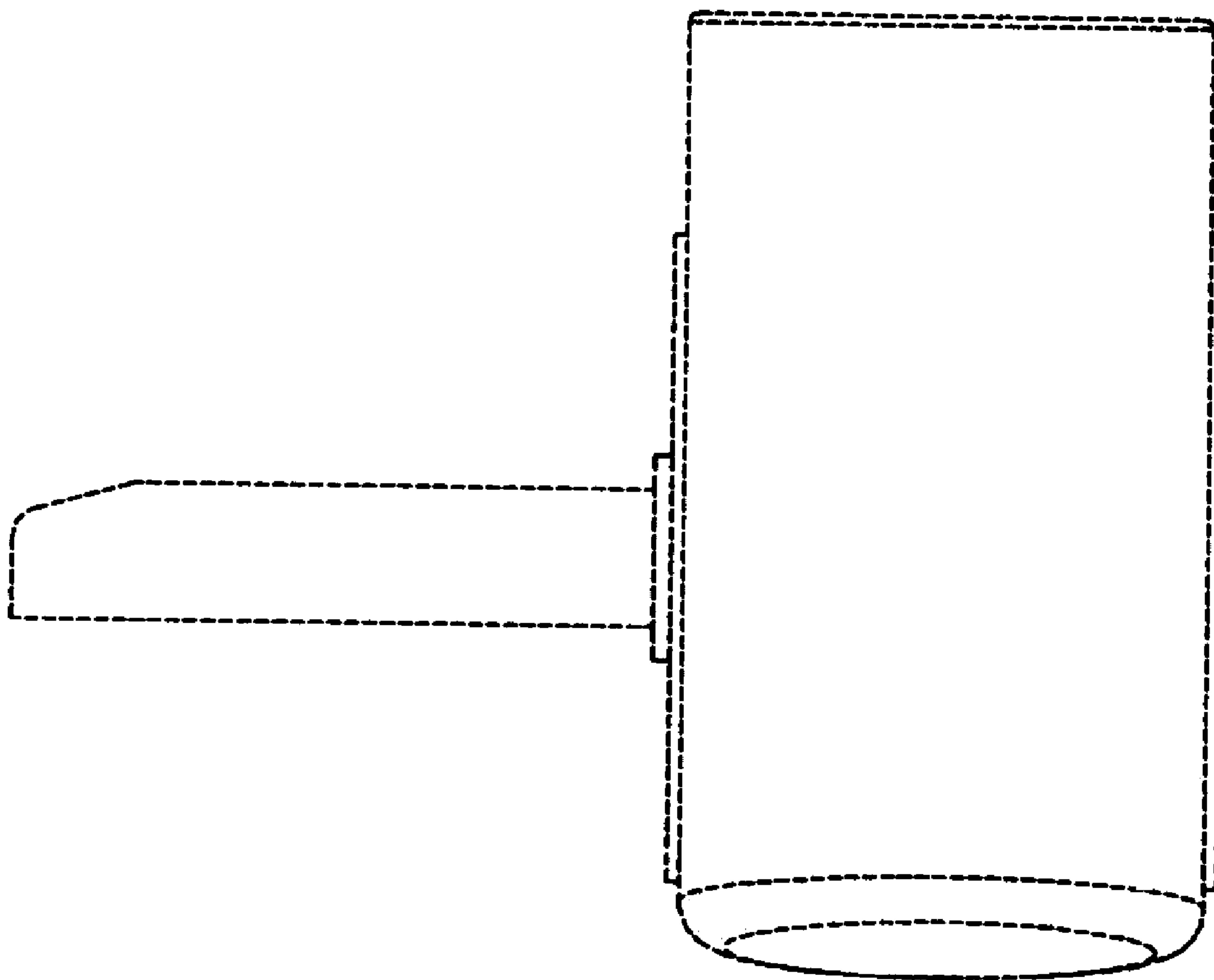




FIG. 7

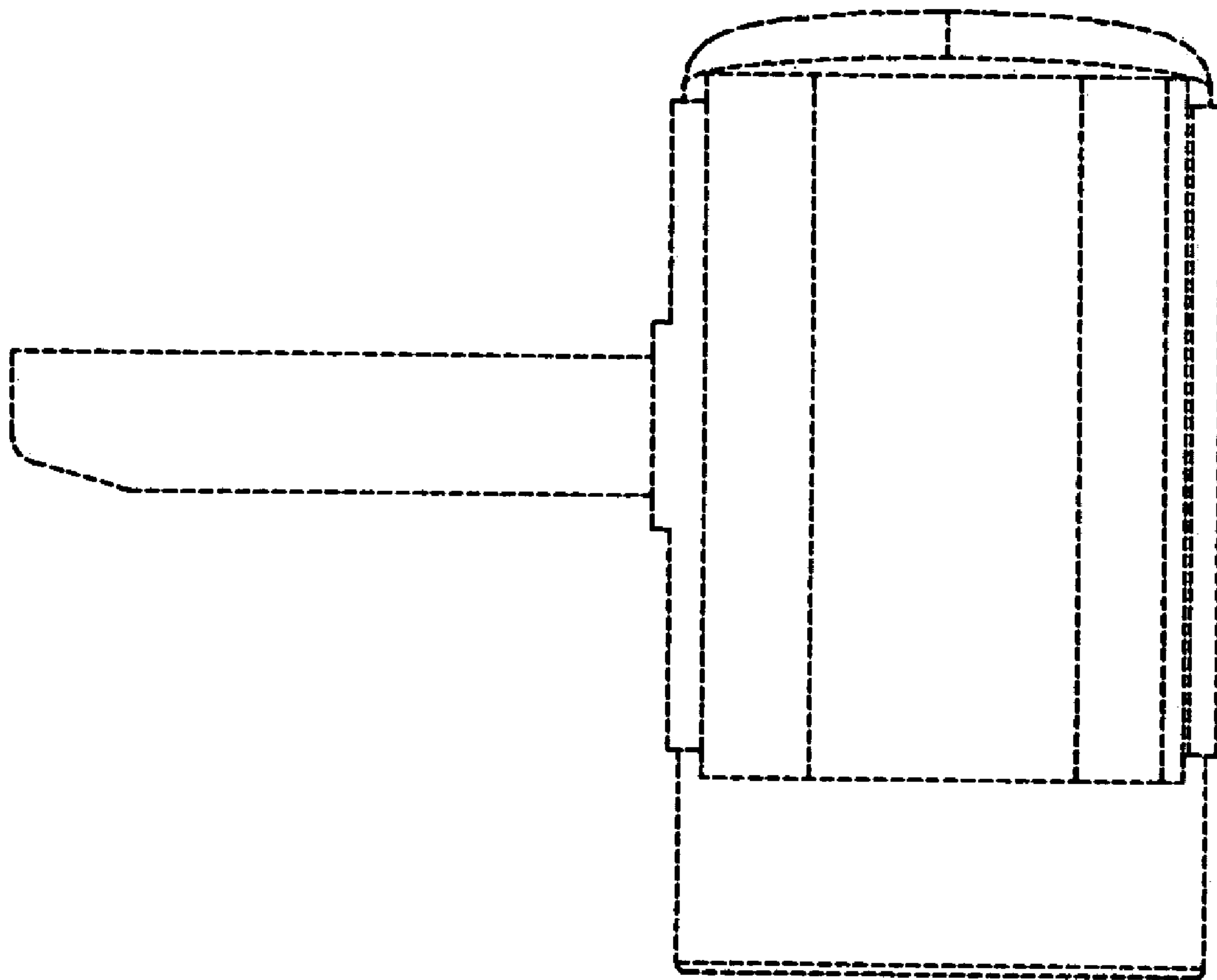


FIG. 8

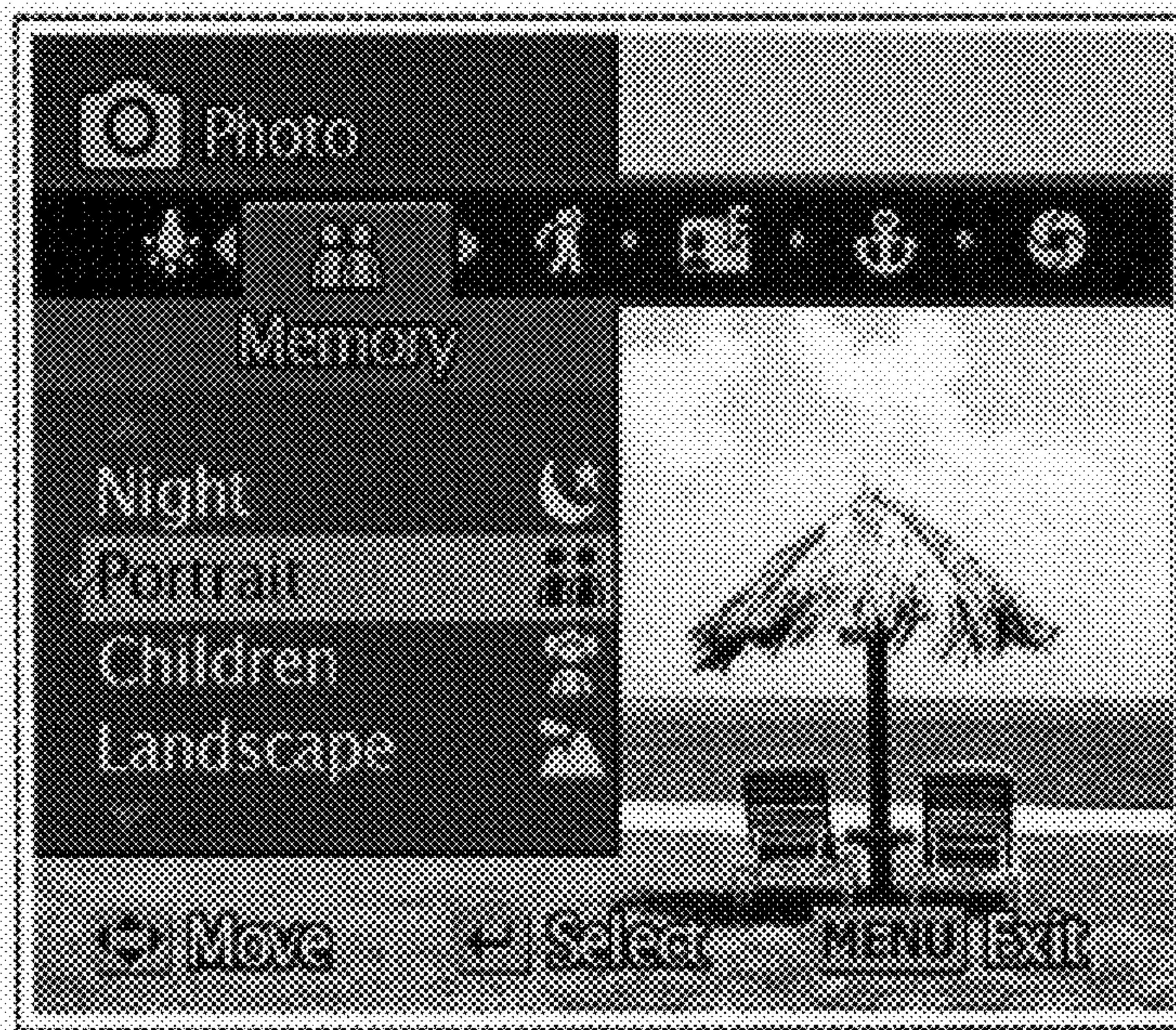




FIG. 9

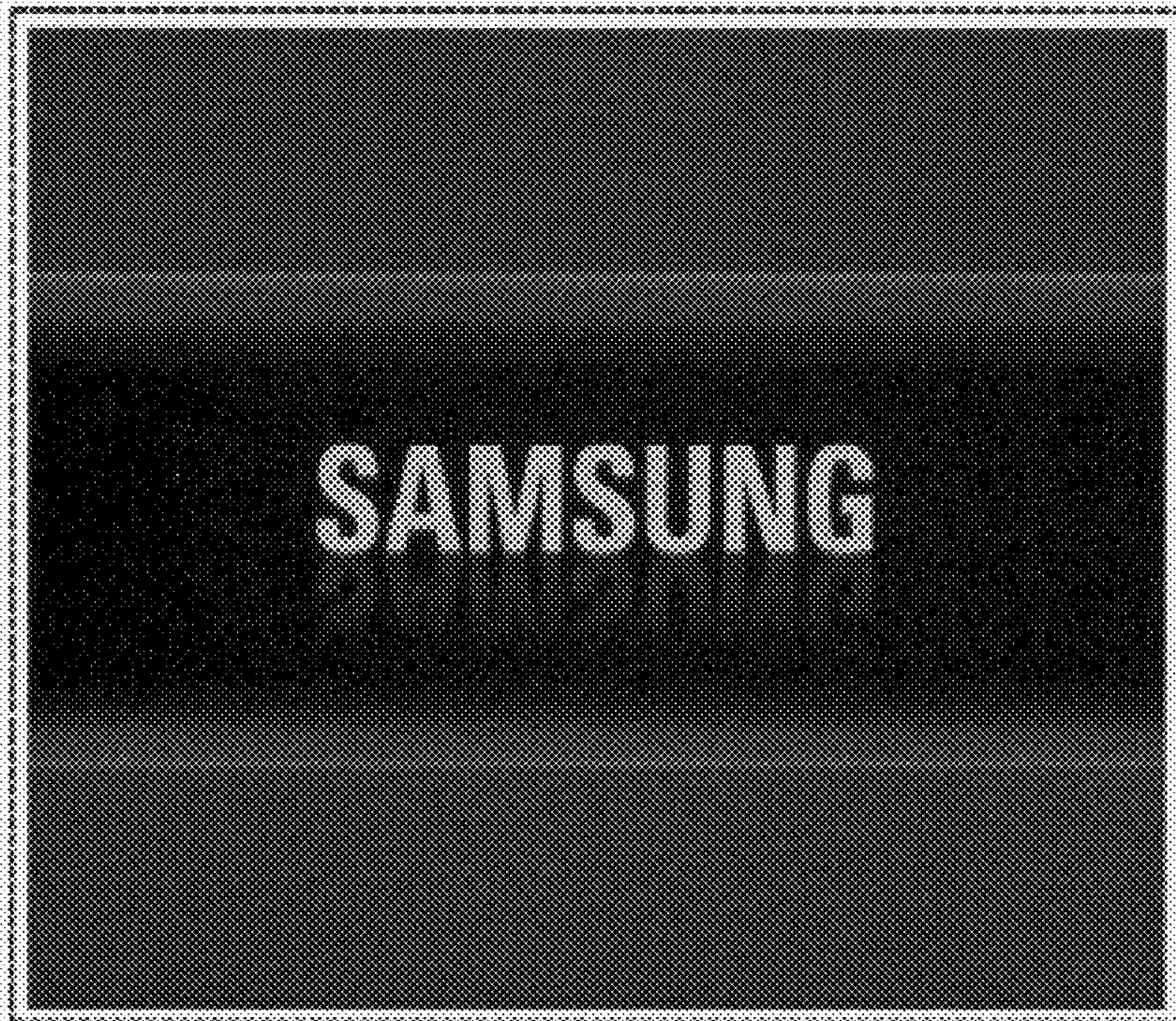




FIG. 10

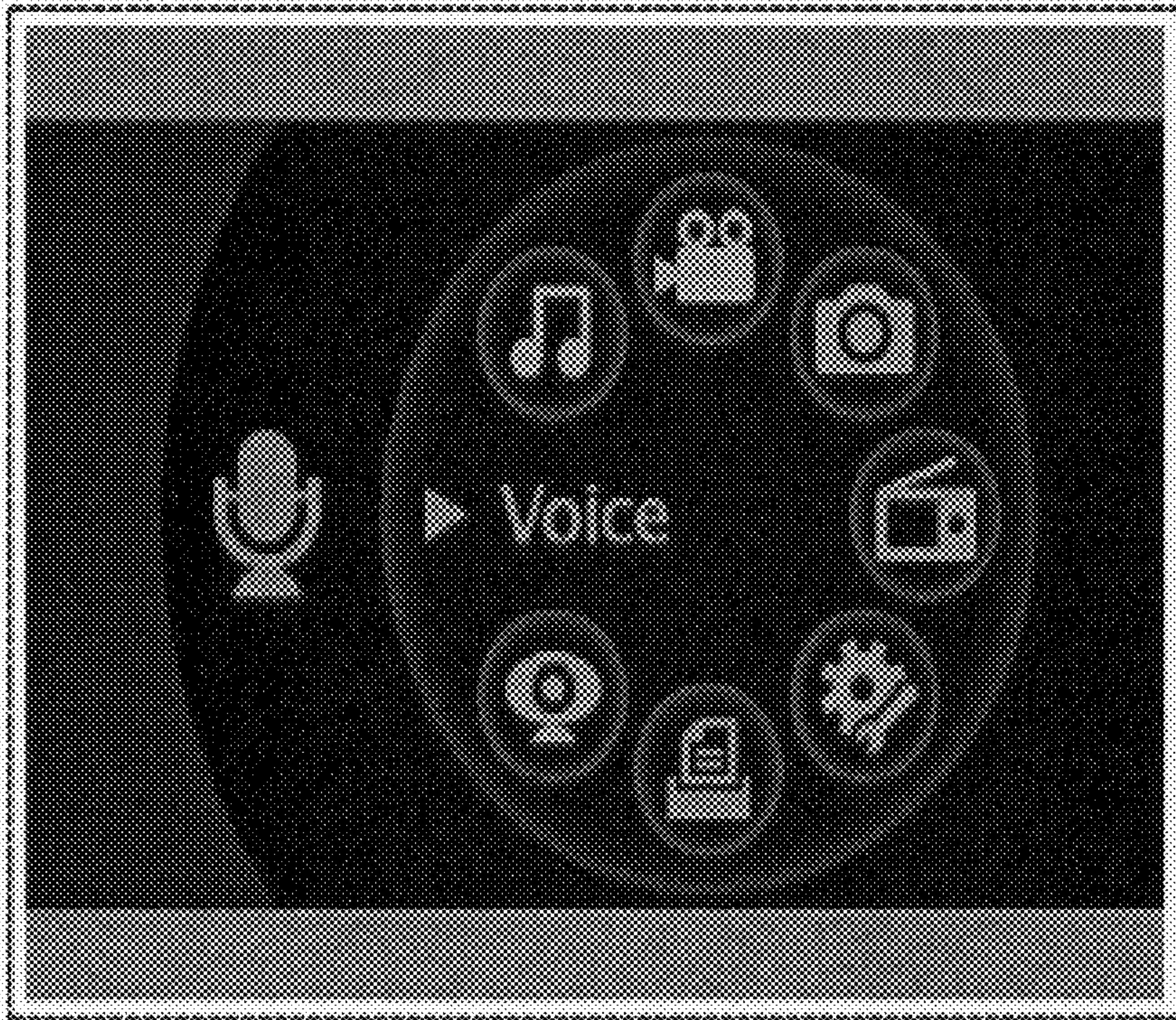




FIG. 11





FIG. 12

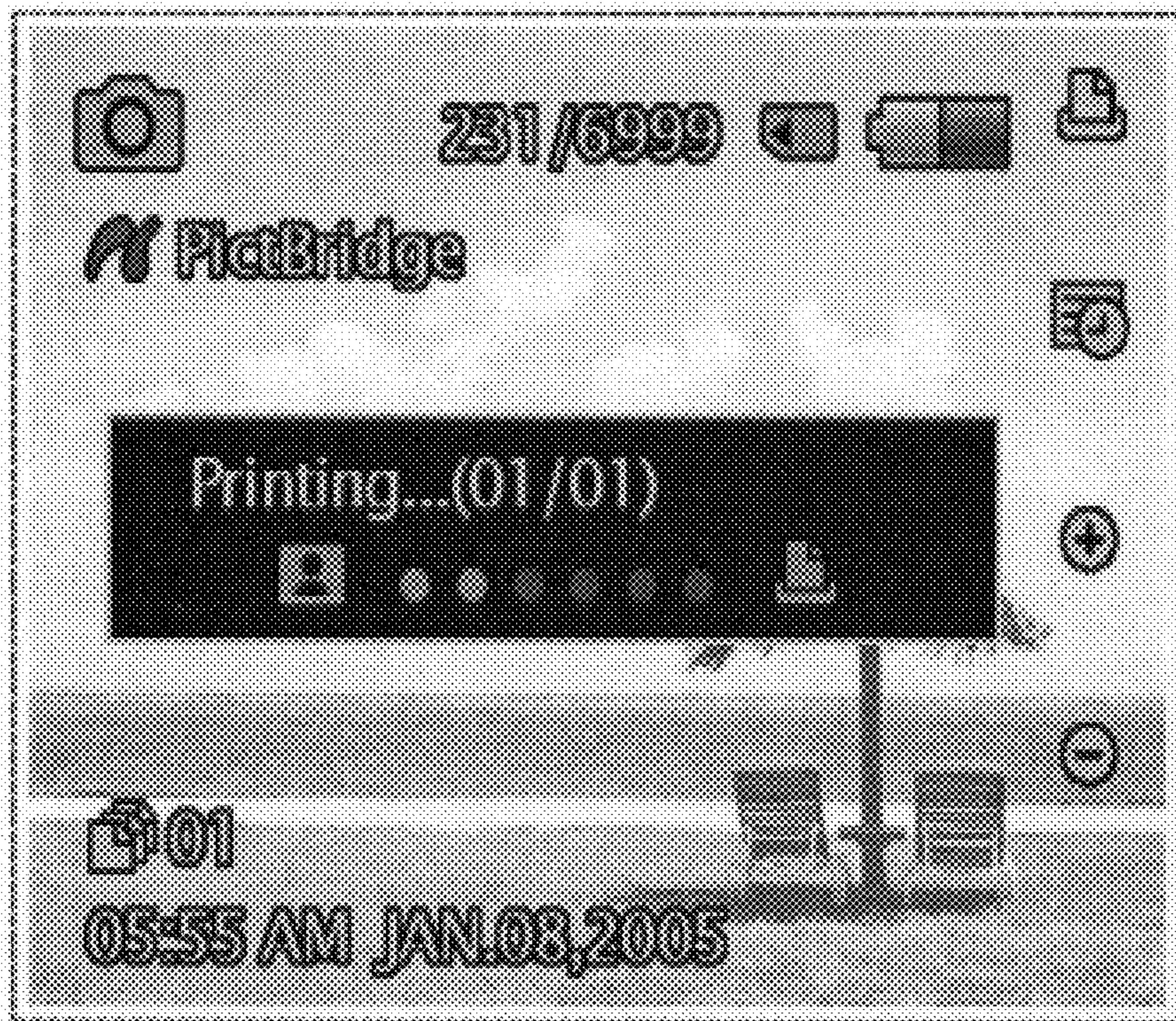




FIG. 13

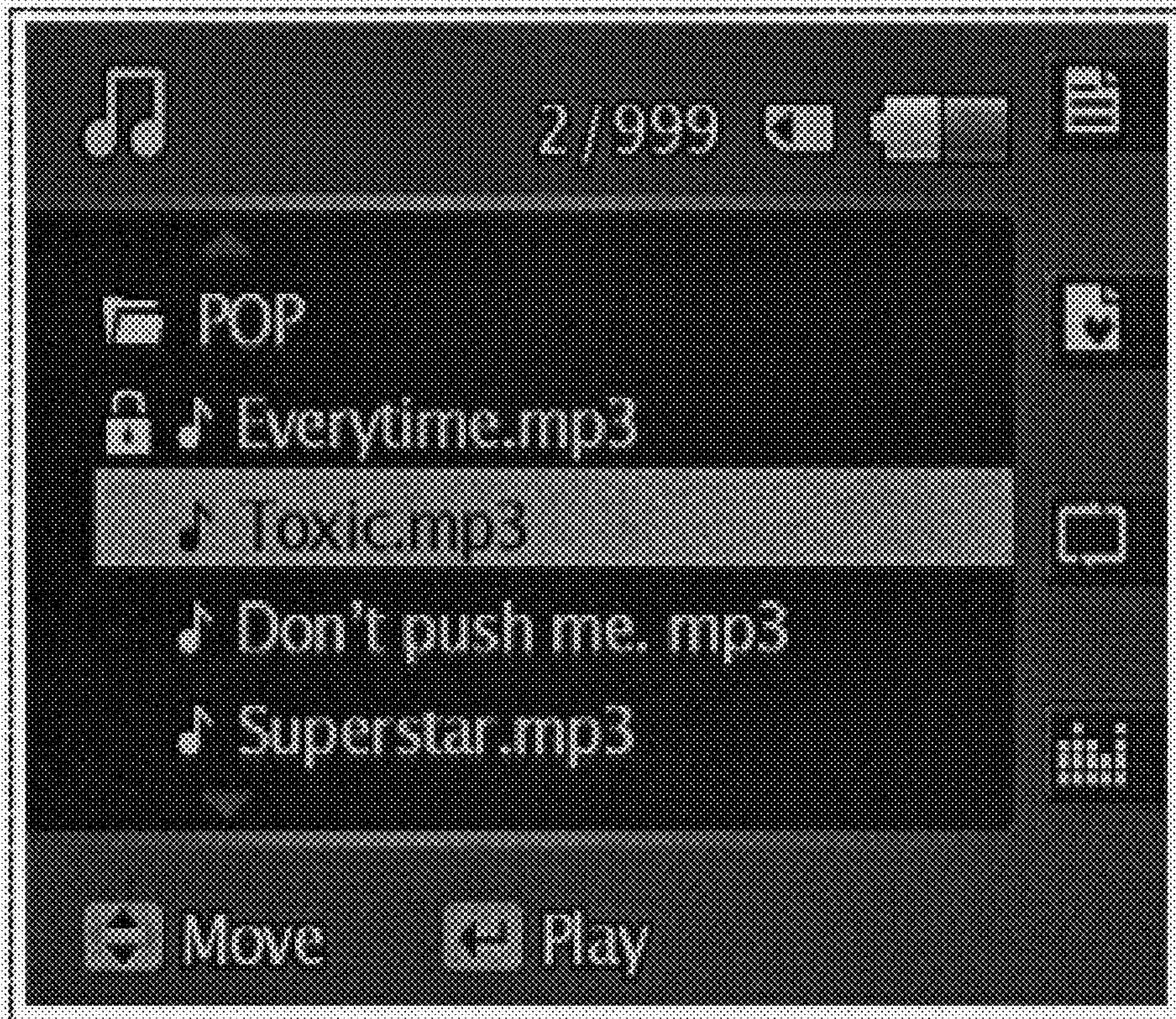




FIG. 14

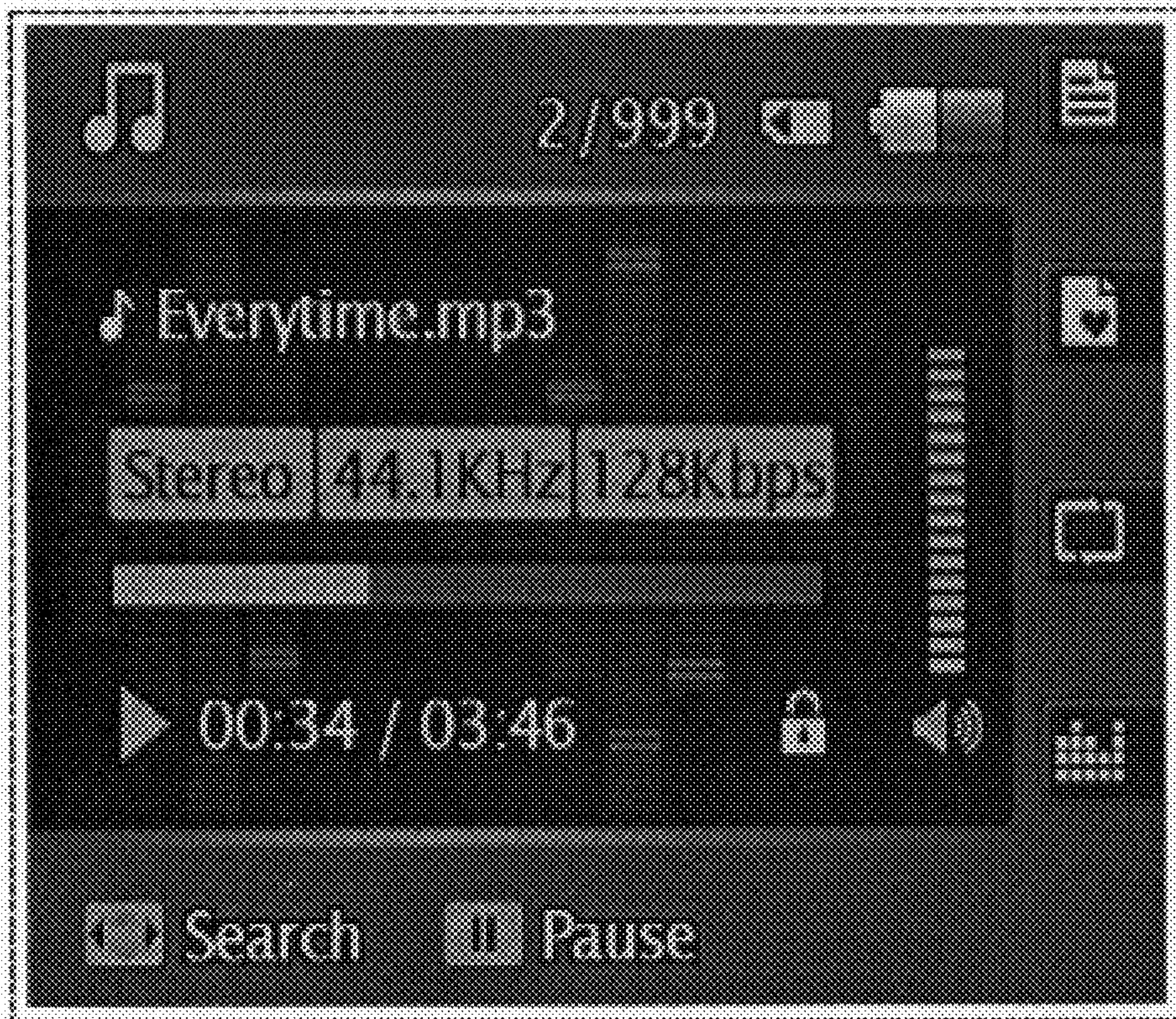




FIG. 15

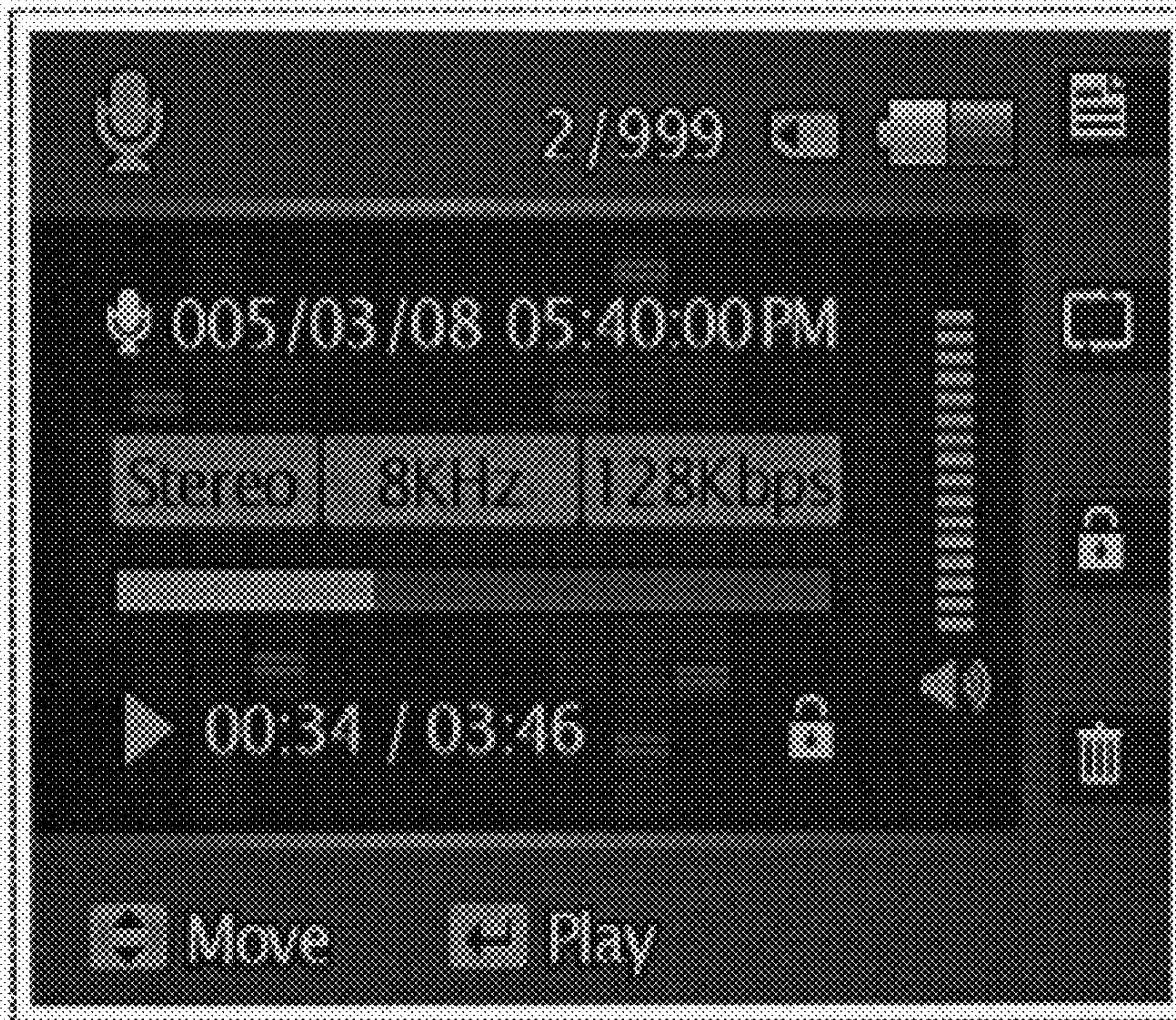




FIG. 16

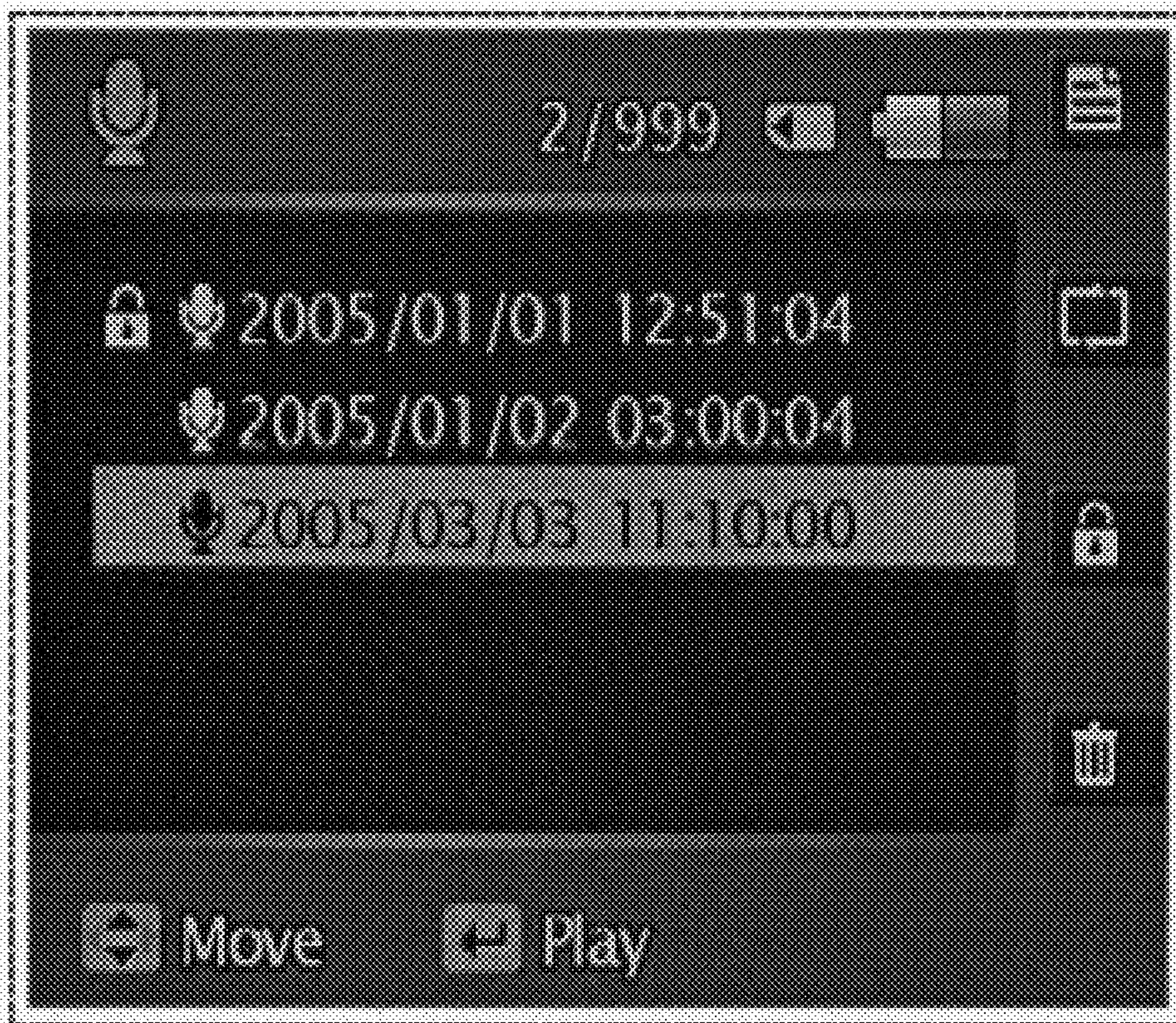




FIG. 17

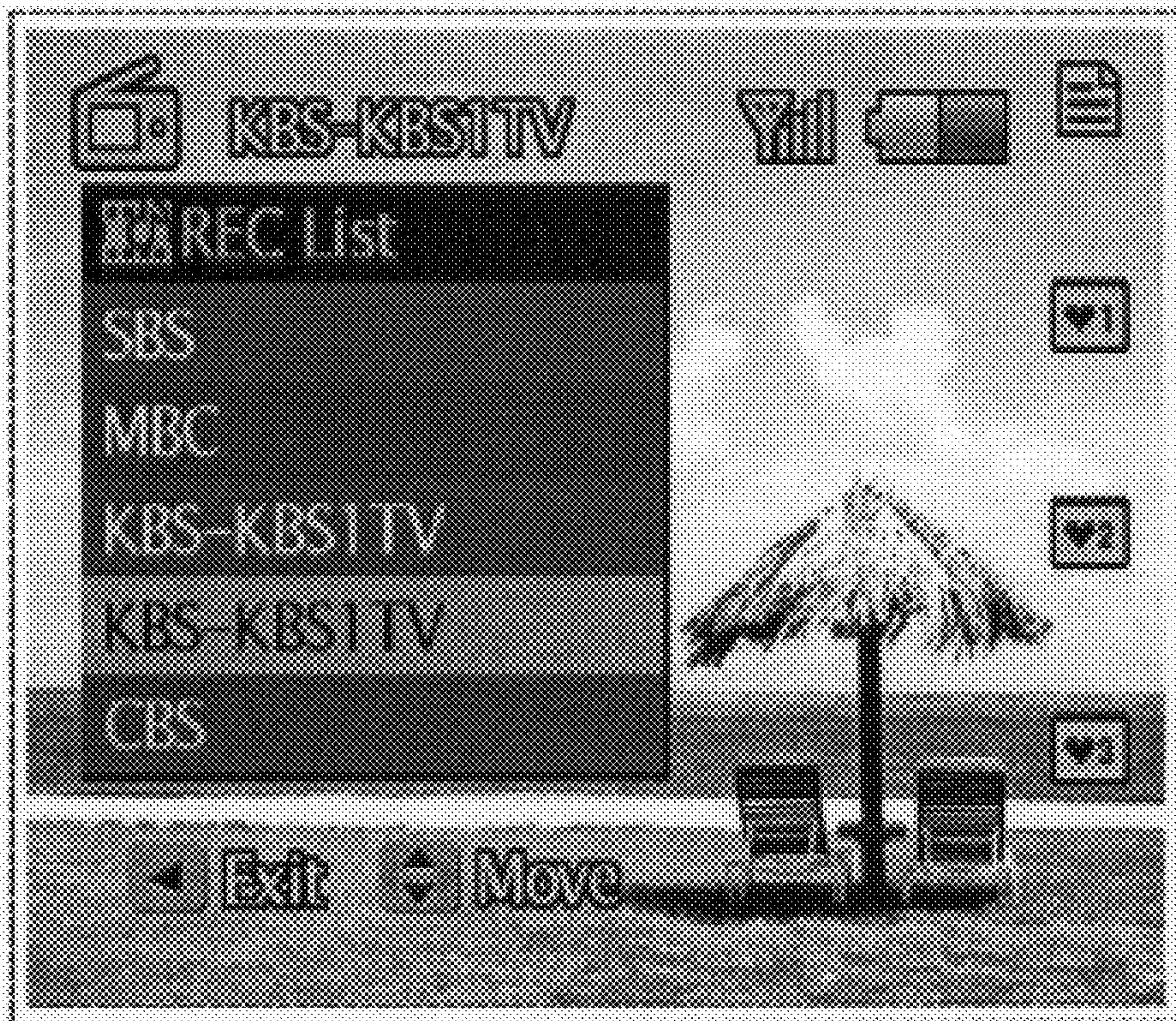




FIG. 18

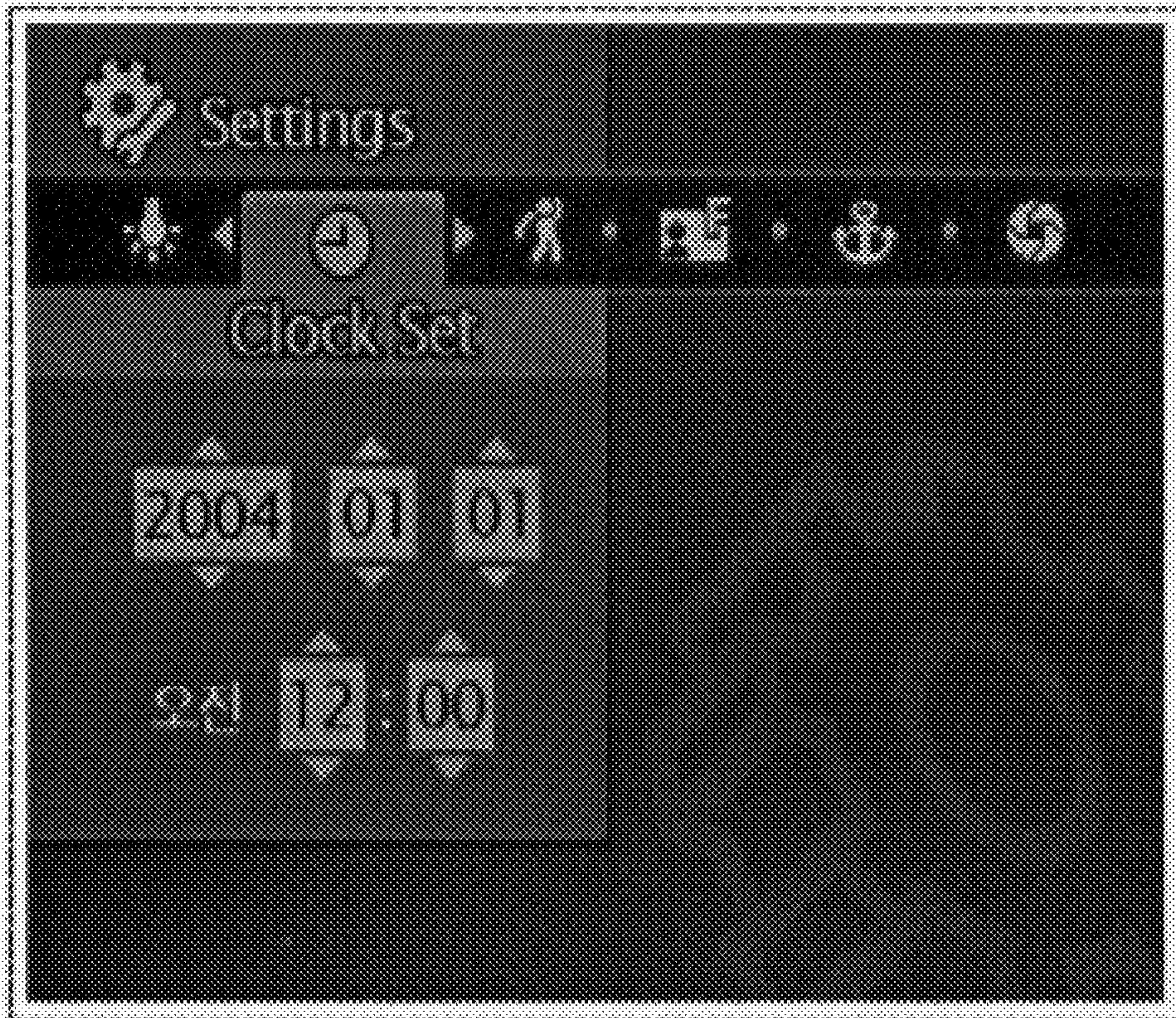




FIG. 19

