



US00D557698S

(12) **United States Design Patent**
Lye

(10) **Patent No.:** **US D557,698 S**

(45) **Date of Patent:** **** Dec. 18, 2007**

(54) **LAPTOP STAND WITH ADJUSTABLE TILT**

(76) **Inventor:** **Kok Hong Lye**, 364 11th St., San Francisco, CA (US) 94103

(**) **Term:** **14 Years**

(21) **Appl. No.:** **29/251,569**

(22) **Filed:** **Jan. 10, 2006**

(51) **LOC (8) Cl.** **08-07**

(52) **U.S. Cl.** **D14/447**

(58) **Field of Classification Search** 248/442.2, 248/918, 279.1, 284.1, 454, 457, 917, 65, 248/441.1, 455, 460, 923, 371, 447, 393, 248/398, 122.1, 127, 133, 136; D14/447, D14/434, 375, 376, 432, 439, 451, 356, 316; D6/300, 512, 310-12, 419; 361/683, 686; 108/10, 28, 32, 6; D19/86, 90-1
See application file for complete search history.

(56) **References Cited**

U.S. PATENT DOCUMENTS

D262,978	S	*	2/1982	Nagley	D19/91
4,356,918	A	*	11/1982	Kahle et al.	206/759
4,436,271	A	*	3/1984	Manso	248/460
D292,851	S	*	11/1987	Krone	D6/300
D317,910	S	*	7/1991	Hawkins et al.	D14/447
5,100,098	A	*	3/1992	Hawkins	248/291.1
5,443,237	A	*	8/1995	Stadtmauer	248/441.1
D363,473	S	*	10/1995	Leman	D14/434
D371,119	S	*	6/1996	Youens et al.	D14/434
5,651,524	A	*	7/1997	Calfee	248/442.2
D395,640	S	*	6/1998	Goodman et al.	D14/447
5,899,421	A	*	5/1999	Silverman	248/175
D432,578	S	*	10/2000	Stravitz	D19/91

D436,760	S		1/2001	Dow		
D437,600	S	*	2/2001	Calfee	D14/447
6,435,466	B1	*	8/2002	Adams	248/455
D468,542	S	*	1/2003	Hennekes et al.	D6/310
6,545,864	B2	*	4/2003	Davis, IV	361/683
6,556,435	B1	*	4/2003	Helot et al.	361/686
D480,088	S	*	9/2003	Bakker et al.	D14/447
6,682,040	B1		1/2004	MacEachern		
6,833,988	B2	*	12/2004	Kamphuis et al.	361/681
2002/0088915	A1	*	7/2002	Nash et al.	248/454
2003/0001064	A1	*	1/2003	Book	248/460
2003/0111582	A1	*	6/2003	Bakker et al.	248/460

* cited by examiner

Primary Examiner—Cathron Brooks
Assistant Examiner—Susan Moon Lee

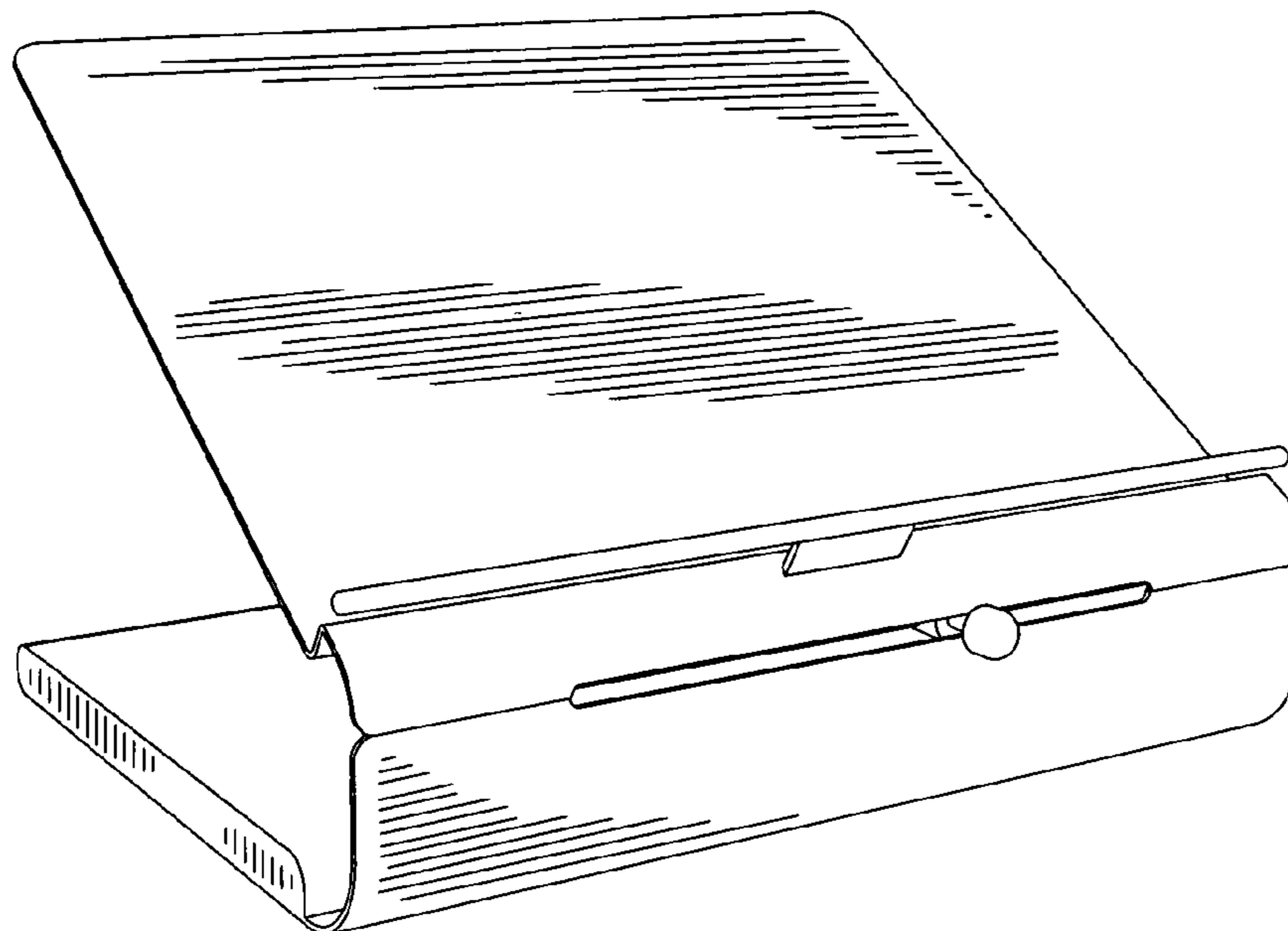
(57) **CLAIM**

The ornamental design for a laptop stand with adjustable tilt, as shown and described.

DESCRIPTION

FIG. 1 is a top plan view of a laptop stand with adjustable tilt showing my new design;
FIG. 2 is a front elevational view thereof;
FIG. 3 is a right side elevational view thereof;
FIG. 4 is a front perspective view thereof;
FIG. 5 is a back perspective view thereof;
FIG. 6 is a front perspective view thereof as shown in FIG. 4, in a second position; and,
FIG. 7 is a back perspective view thereof as shown in FIG. 5, in a second position.

1 Claim, 3 Drawing Sheets



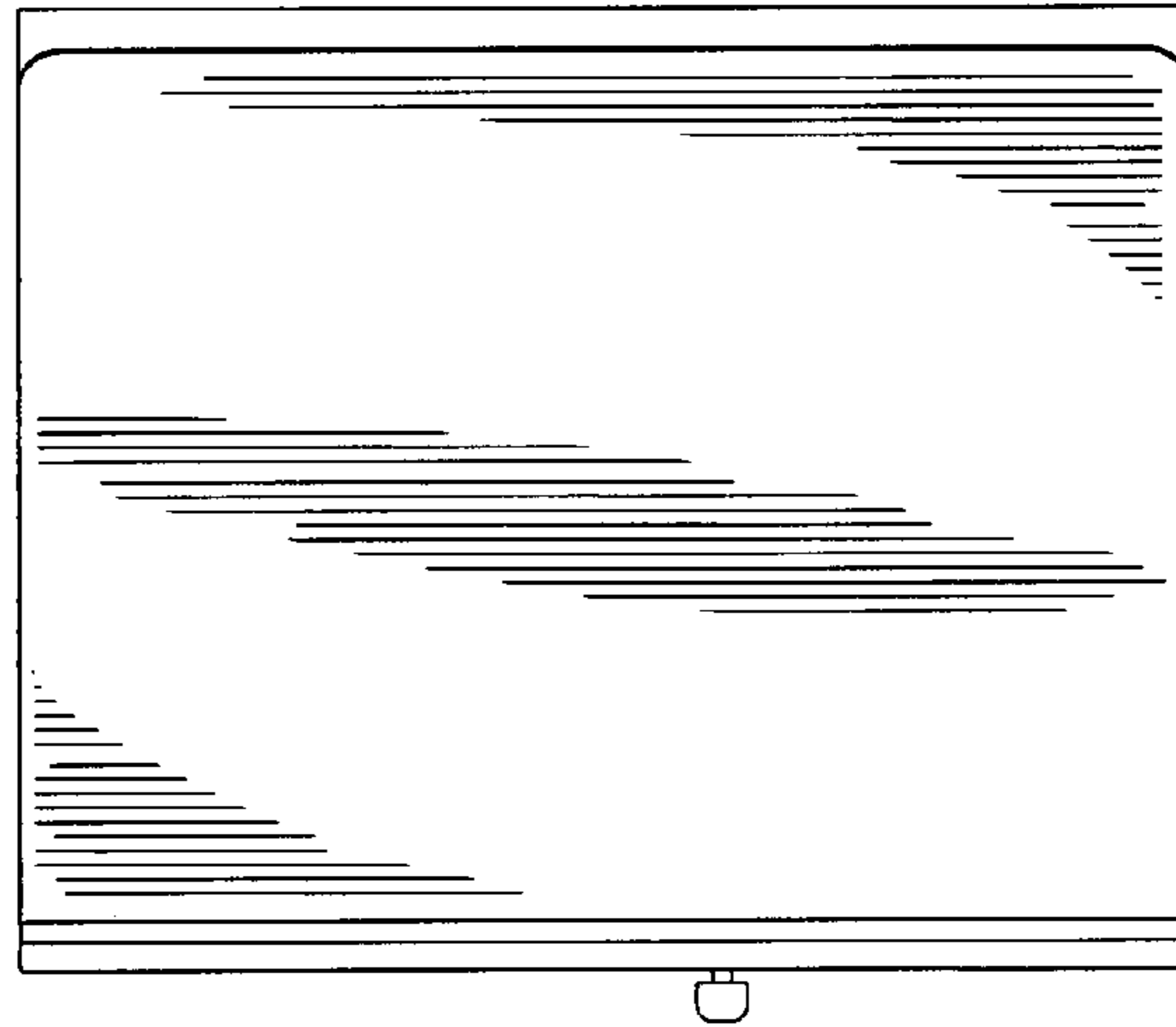


Fig. 1

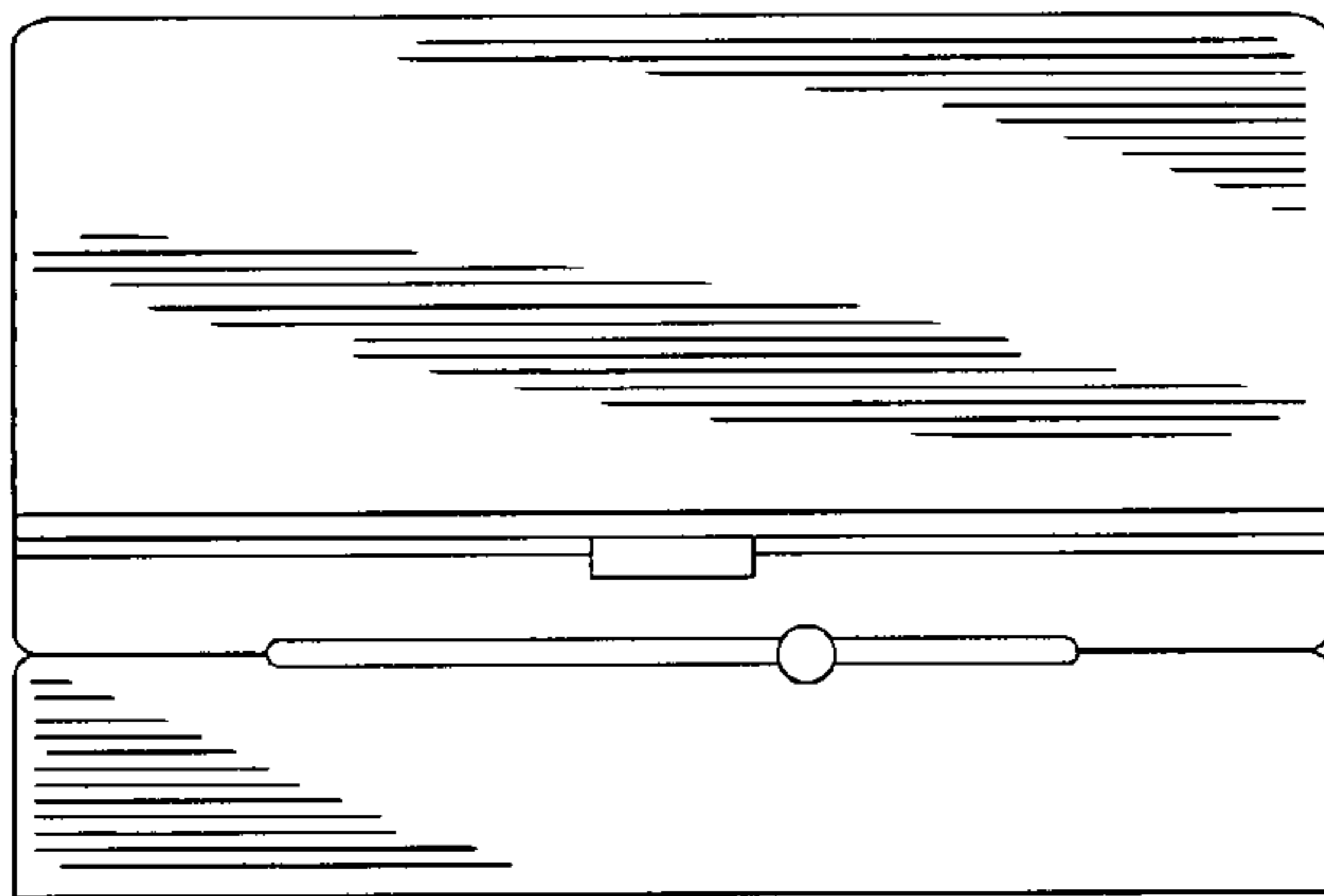


Fig. 2

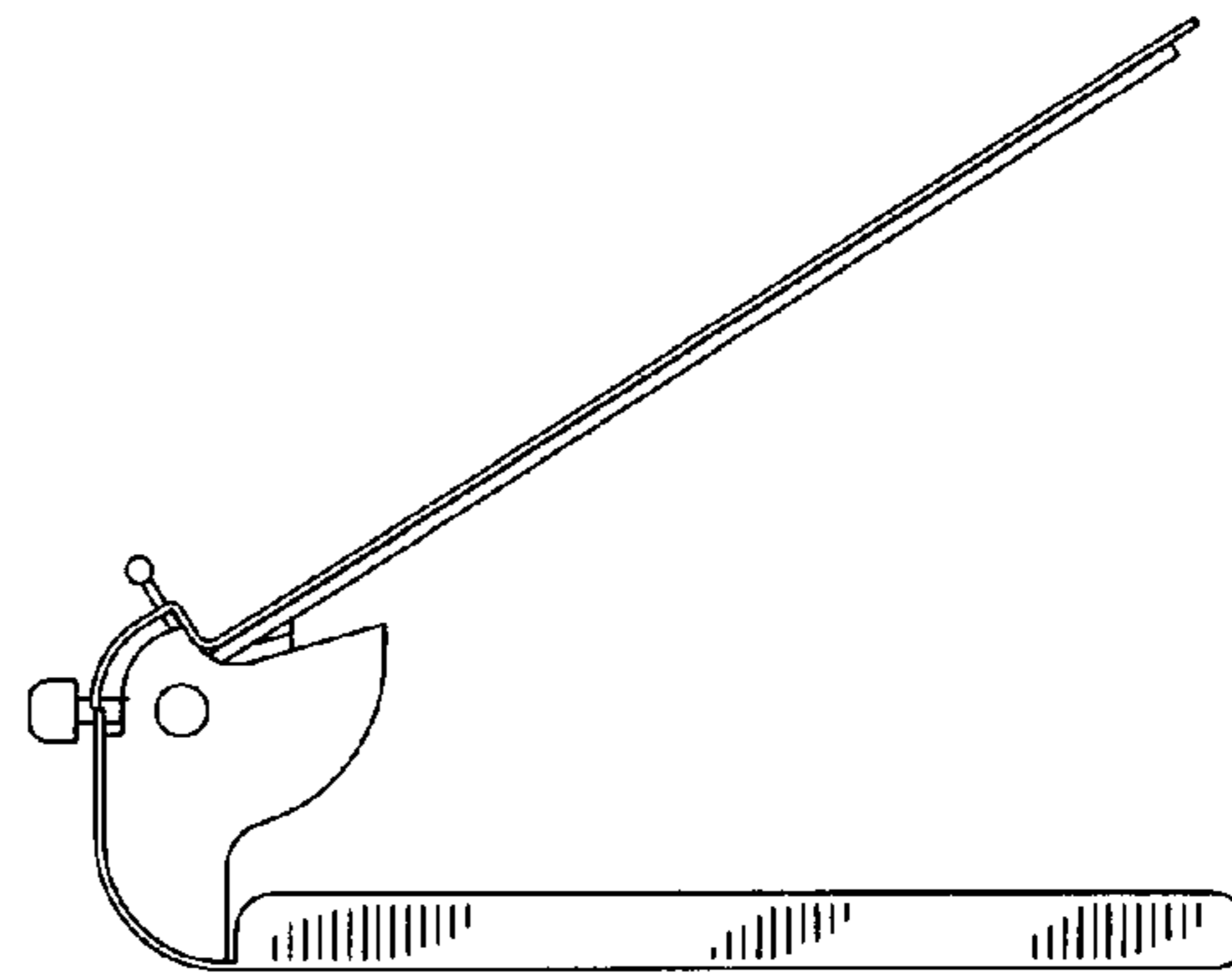


Fig. 3

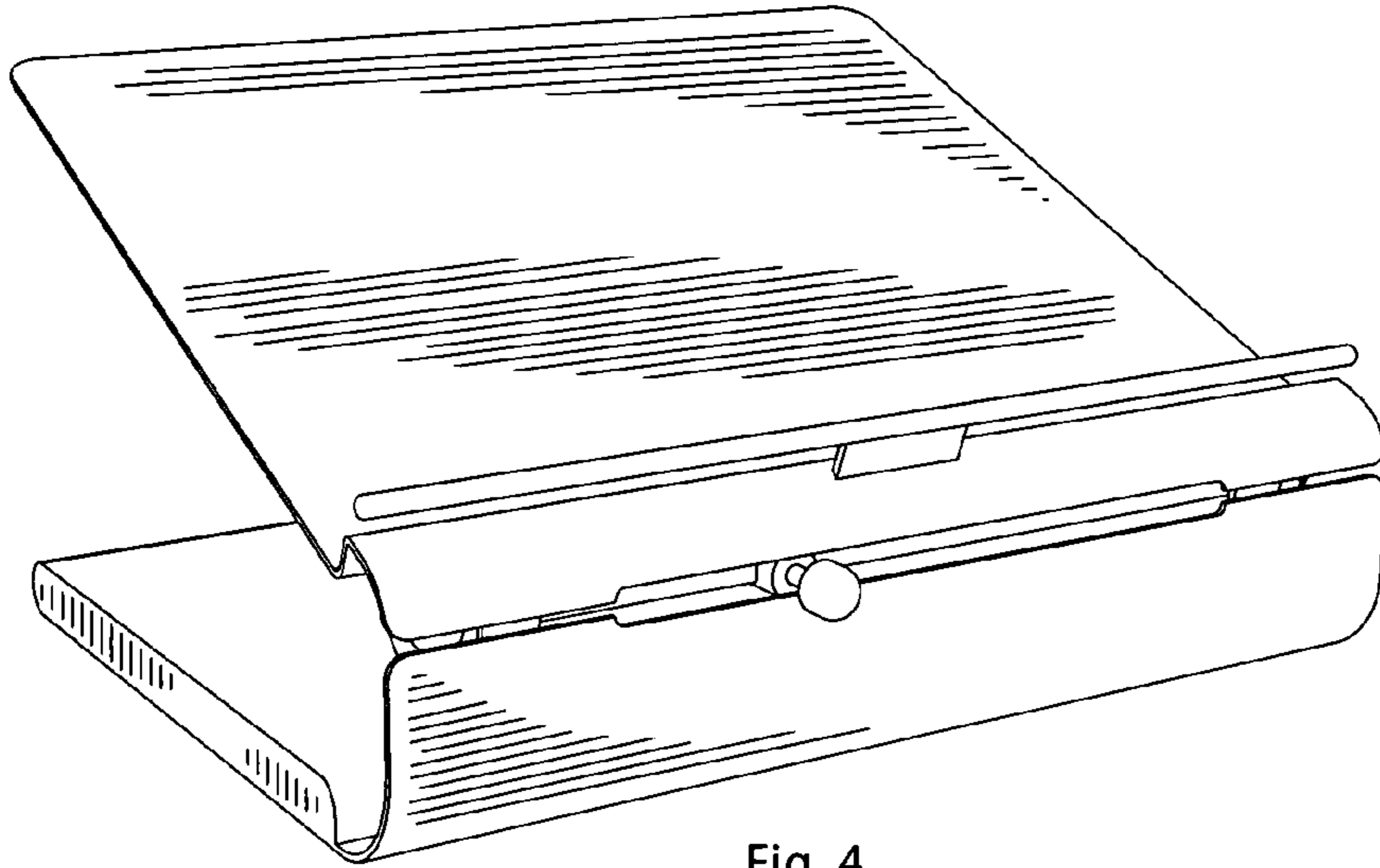


Fig. 4

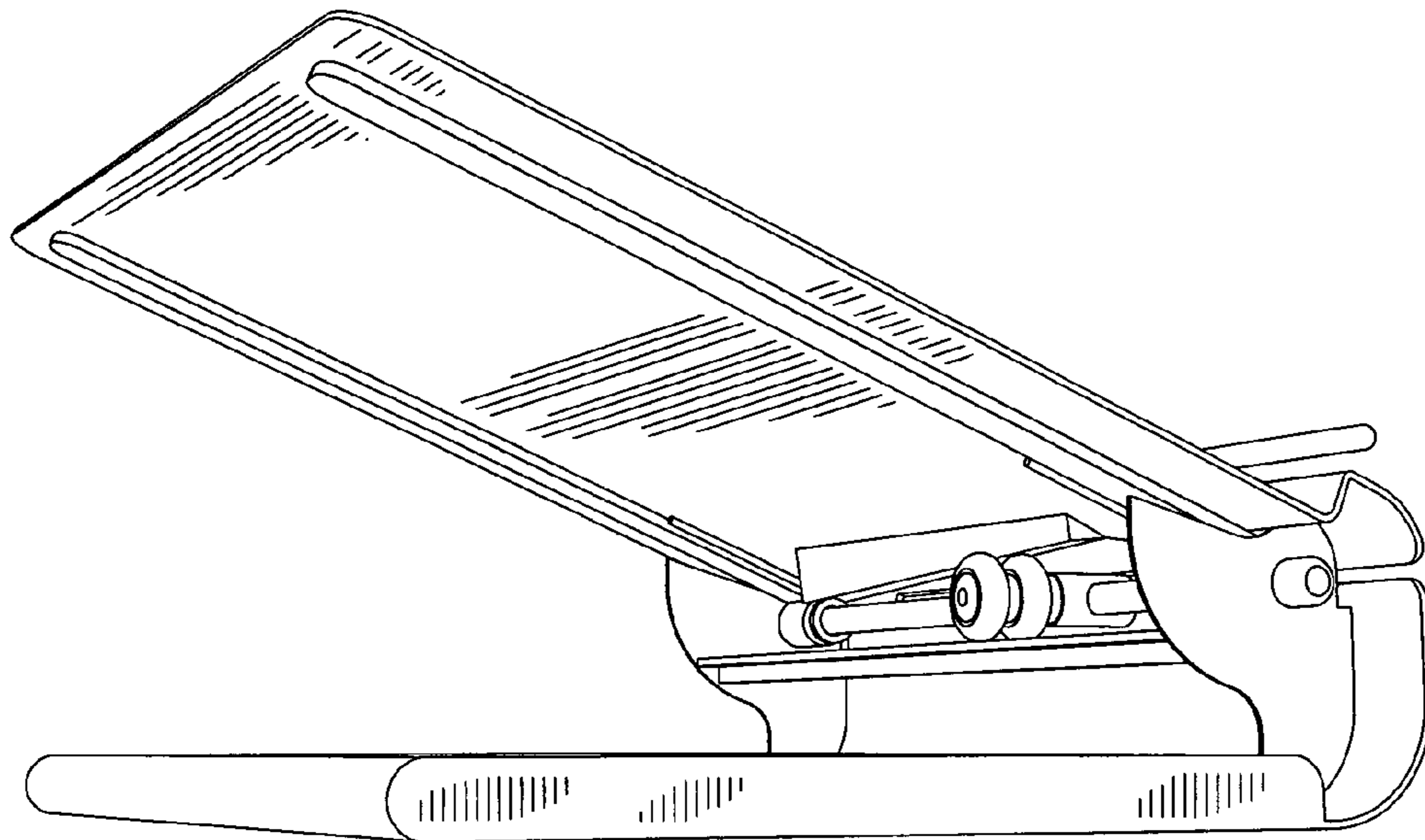


Fig. 5

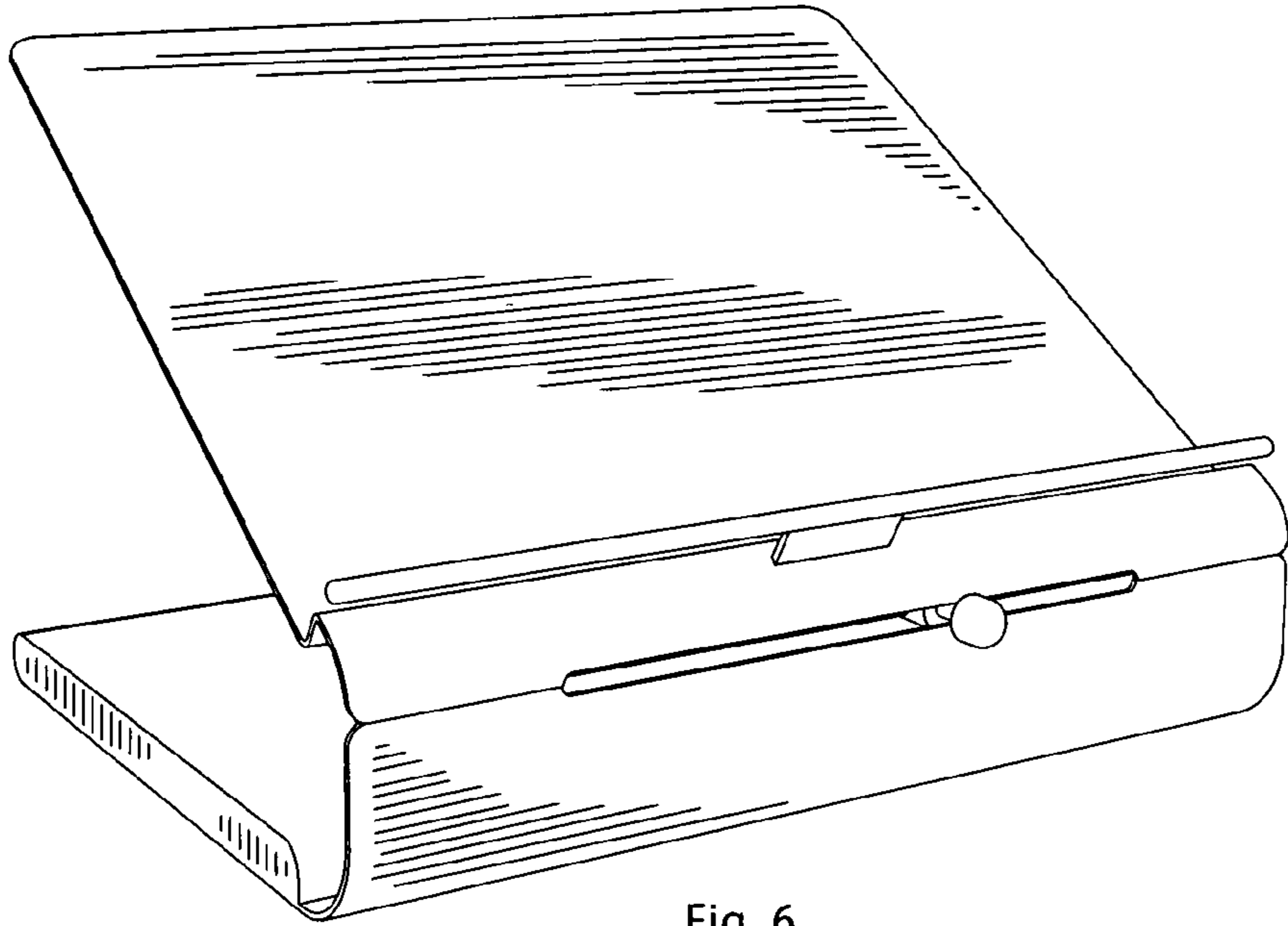


Fig. 6

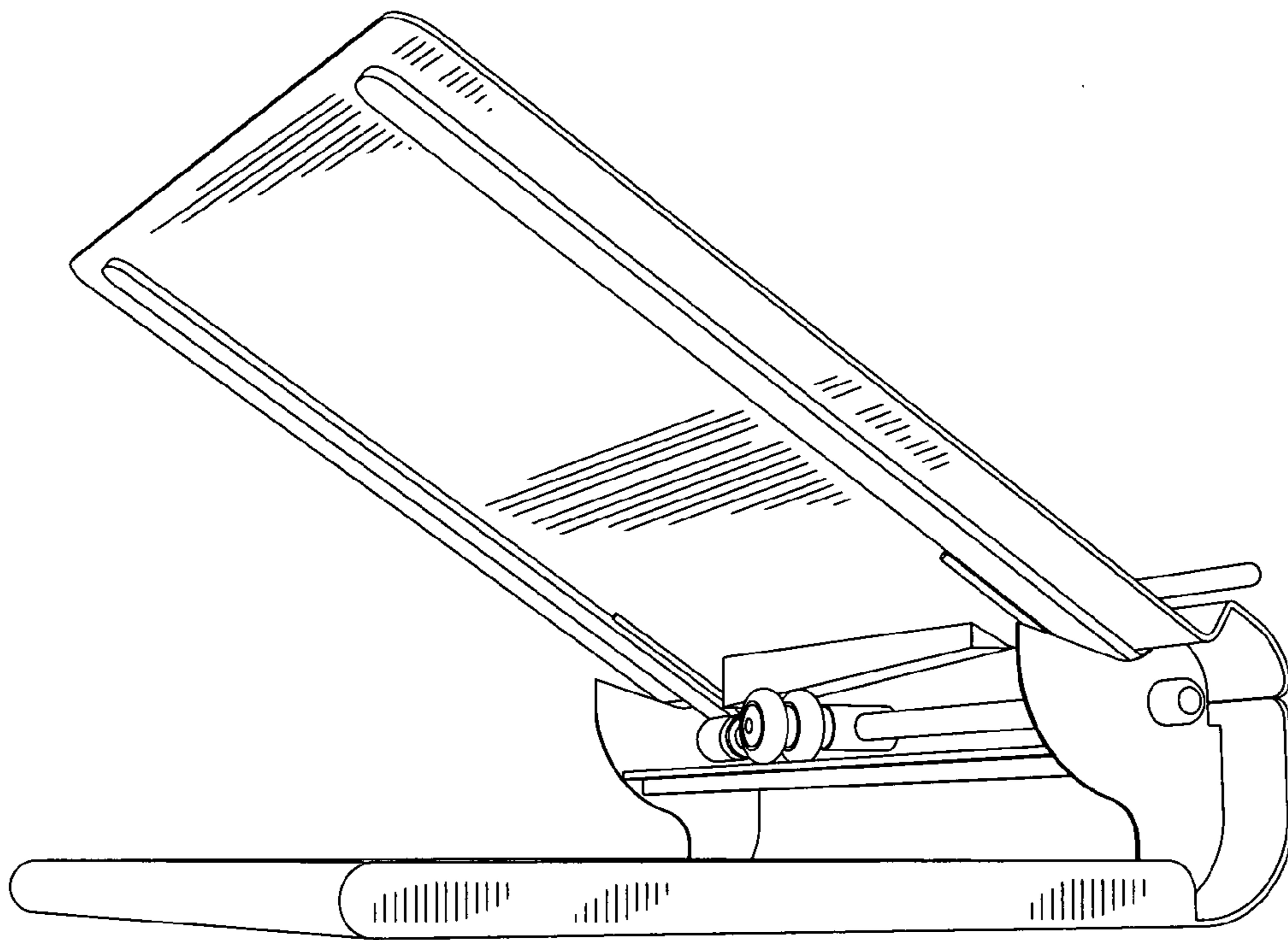


Fig. 7