



US00D557697S

(12) **United States Design Patent**
Chen et al.

(10) **Patent No.:** **US D557,697 S**

(45) **Date of Patent:** **** Dec. 18, 2007**

(54) **DIGITAL STORAGE DEVICE**

2003/0223286 A1* 12/2003 Lee 365/200

(75) Inventors: **Chien-Pang Chen**, Taipei (TW);
Chih-Ting Li, Taipei (TW)

OTHER PUBLICATIONS

(73) Assignee: **Apacer Technology, Inc.**, Taipei (TW)

D14 PDF Search: iXBT___-13 A-data, Imation, Kingston, Pretec_Toshiba.pdf—http://web.archive.org/web/20060208032439/http://www.ixbt.com/storage/flashdrives-p16.shtml, Feb. 8, 2006.*
Retractable_usb.pdf—http://images.overstock.com/f/102/3117/8h/www.overstock.com/images/products/11739569.jpg, Jun. 27, 2007.*

(**) Term: **14 Years**

* cited by examiner

(21) Appl. No.: **29/257,806**

(22) Filed: **Apr. 11, 2006**

Primary Examiner—Robin Webster
Assistant Examiner—Karen E Kearney

(51) **LOC (8) Cl.** **14-02**

(52) **U.S. Cl.** **D14/356**

(58) **Field of Classification Search** D14/137,
D14/156, 167, 240, 242, 299, 348, 356, 384-5,
D14/402, 432-435, 496; 439/518, 139, 141,
439/144, 140, 638; 365/131; 710/74, 62
See application file for complete search history.

(57) **CLAIM**

The ornamental design for a digital storage device, as shown and described.

(56) **References Cited**

DESCRIPTION

U.S. PATENT DOCUMENTS

FIG. 1 is a perspective view of a digital storage device showing our new design;

D486,484 S *	2/2004	Bloomberg et al.	D14/248
6,758,689 B1 *	7/2004	Bair et al.	439/136
D494,969 S *	8/2004	Lin	D14/356
D500,485 S *	1/2005	Deguchi	D14/167
D506,209 S *	6/2005	Leong	D14/496
6,975,274 B2 *	12/2005	Sanchez et al.	343/702
7,004,780 B1 *	2/2006	Wang	439/353
D522,506 S *	6/2006	Chen	D14/356
D533,863 S *	12/2006	Yamaji	D14/167
7,179,099 B2 *	2/2007	Hsieh	439/131
D541,796 S *	5/2007	Chen	D14/356
D545,318 S *	6/2007	Klenske et al.	D14/432

FIG. 2 is a front elevational view thereof;

FIG. 3 is a rear elevational view thereof;

FIG. 4 is a left side elevational view thereof;

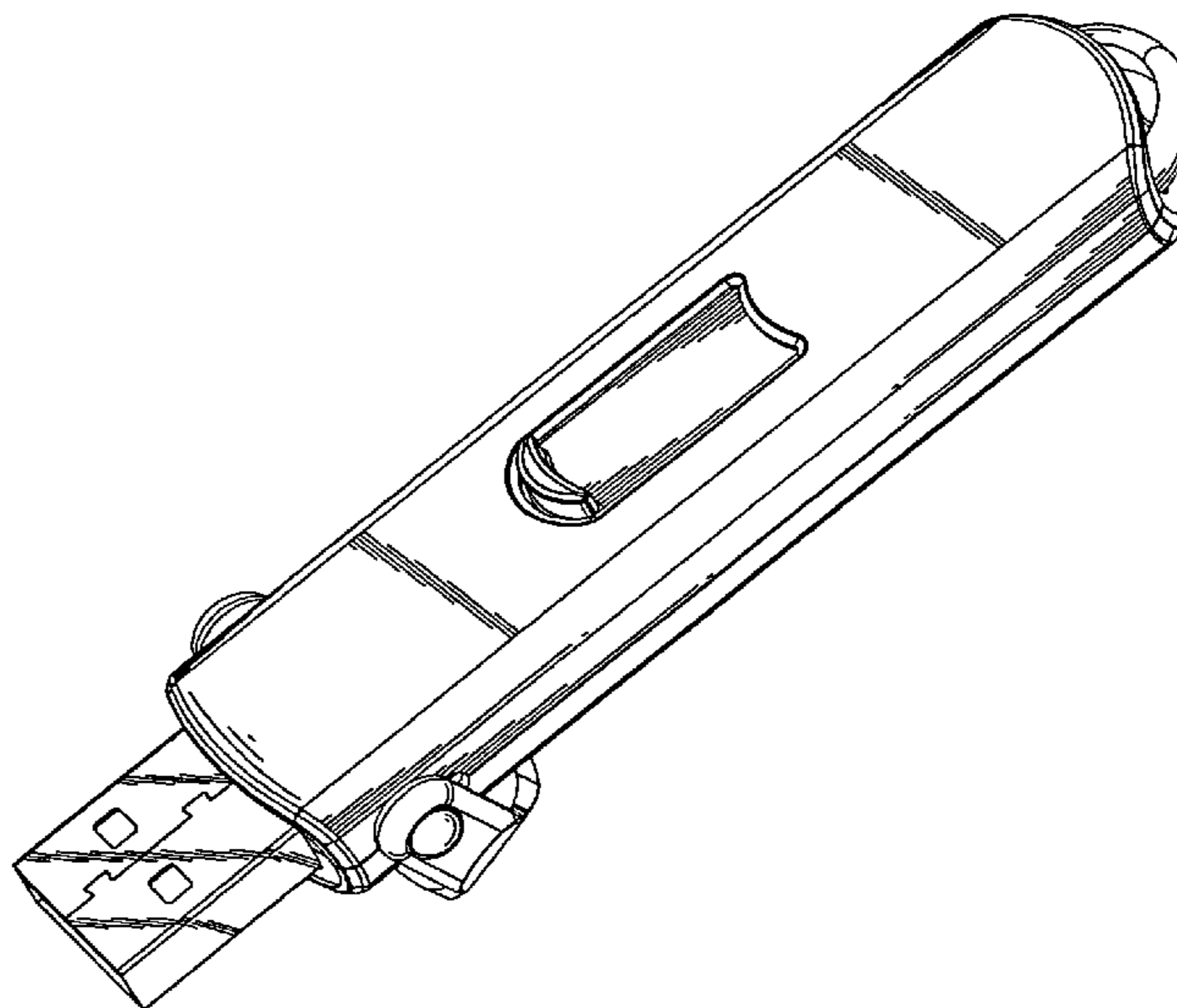
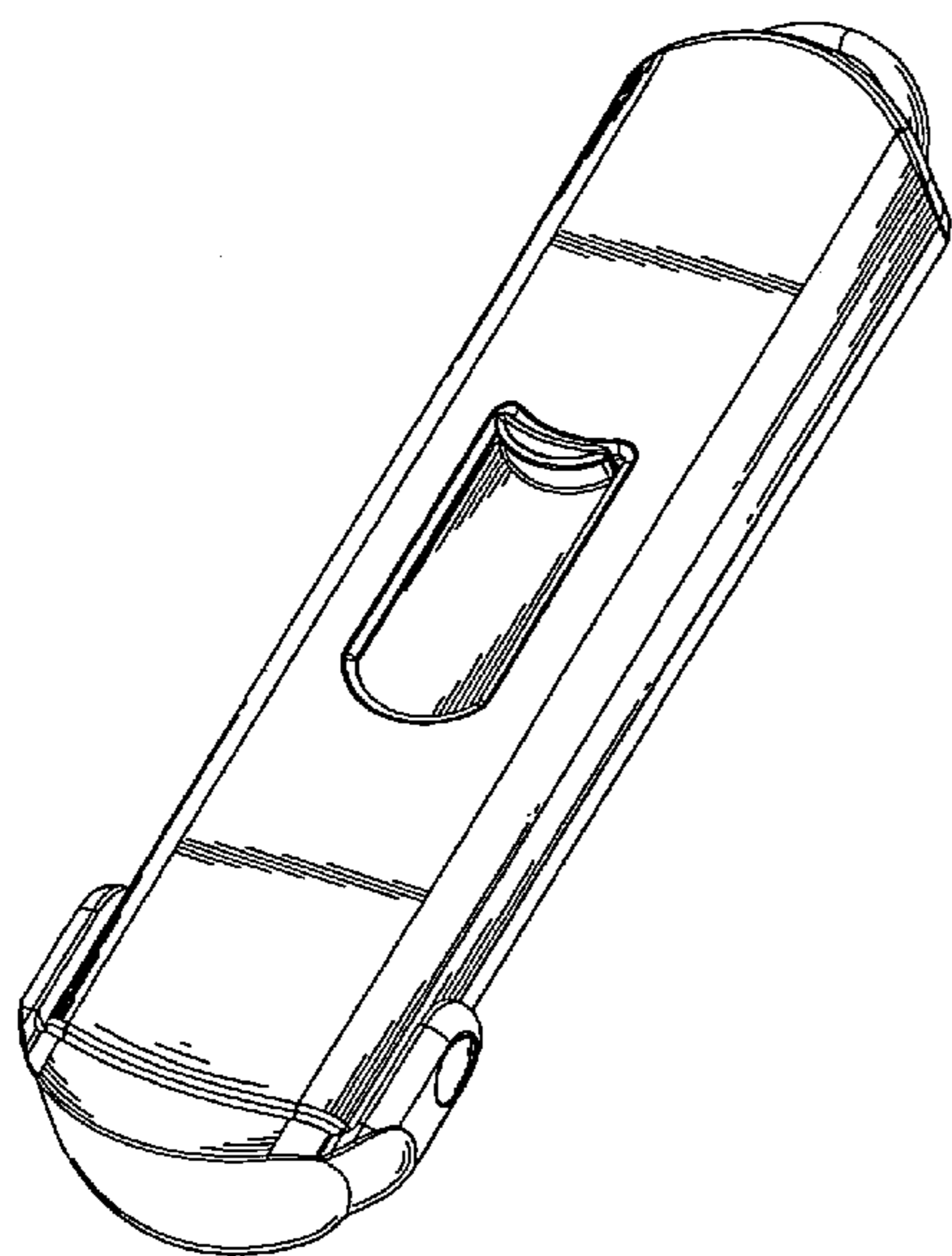
FIG. 5 is a right side elevational view thereof;

FIG. 6 is a top plan view thereof;

FIG. 7 is a bottom plan view thereof; and,

FIG. 8 is a perspective view thereof in an open condition.

1 Claim, 8 Drawing Sheets



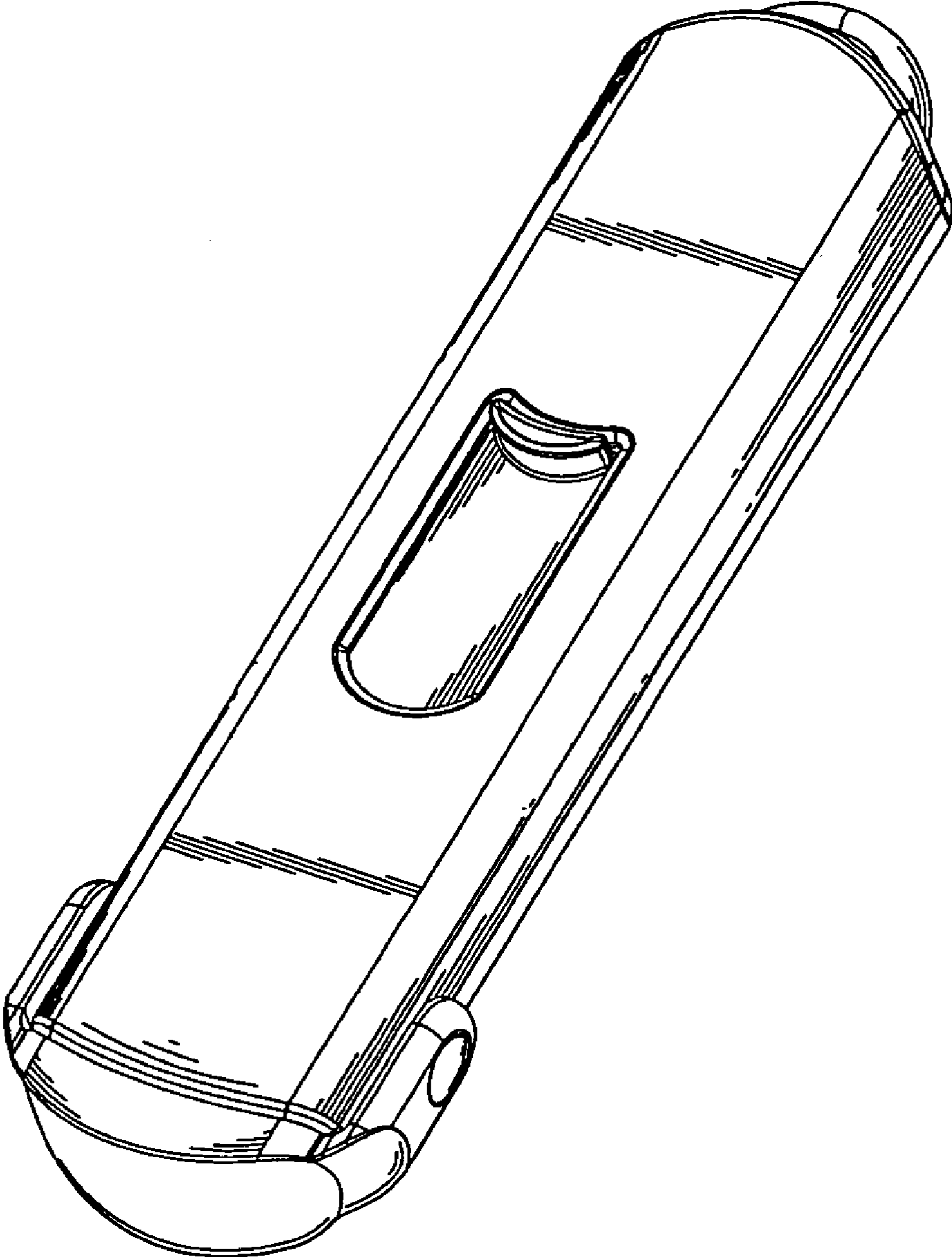


Fig. 1

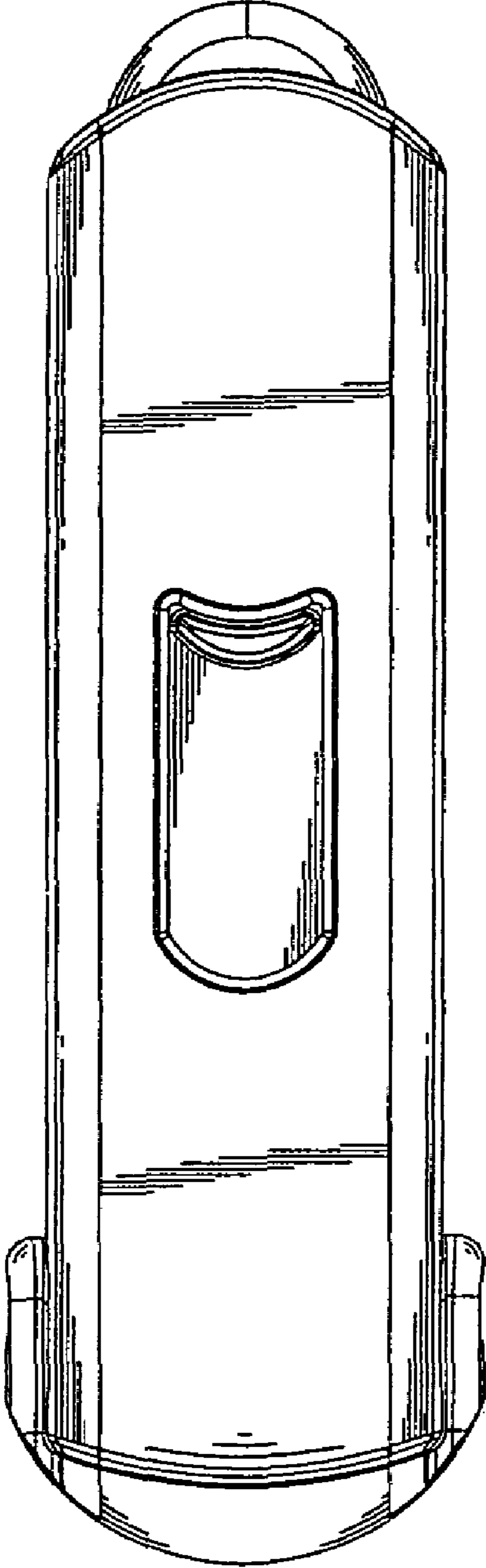


Fig. 2

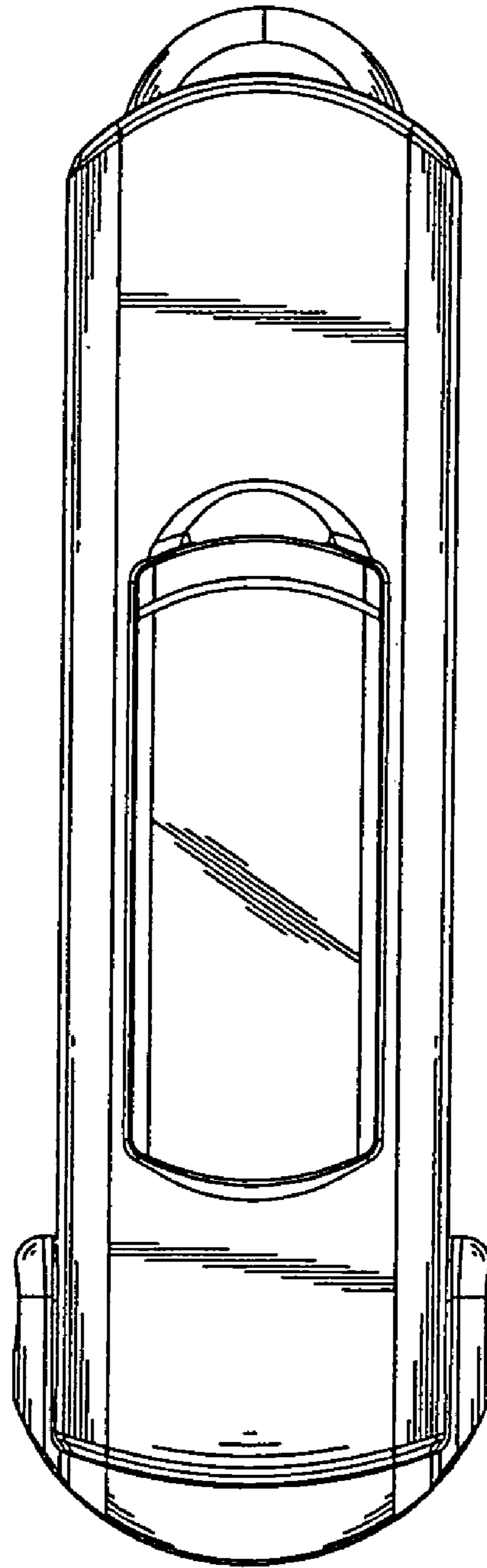


Fig. 3

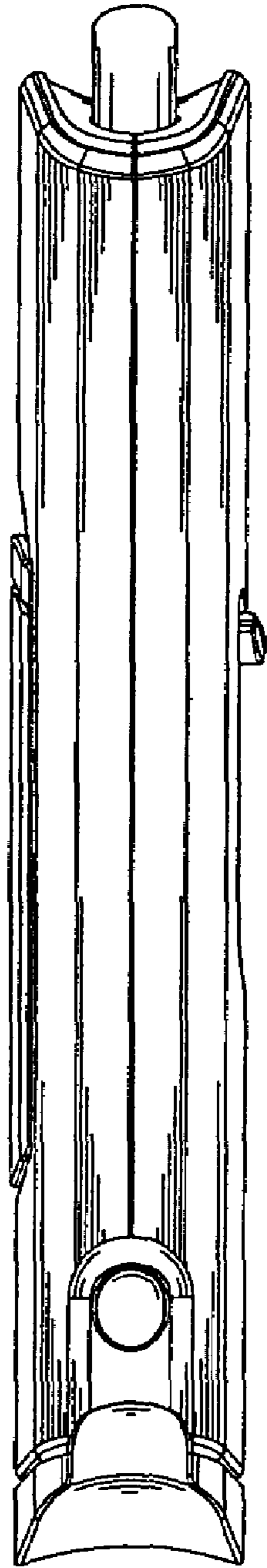


Fig. 4

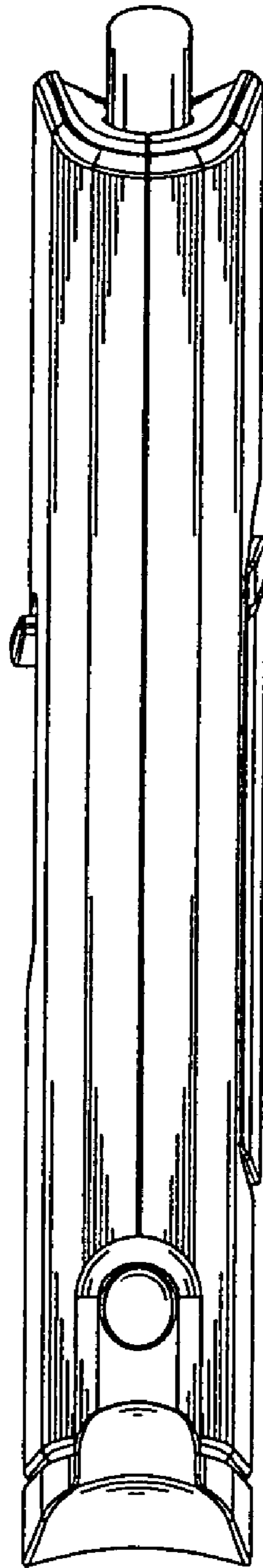


Fig. 5

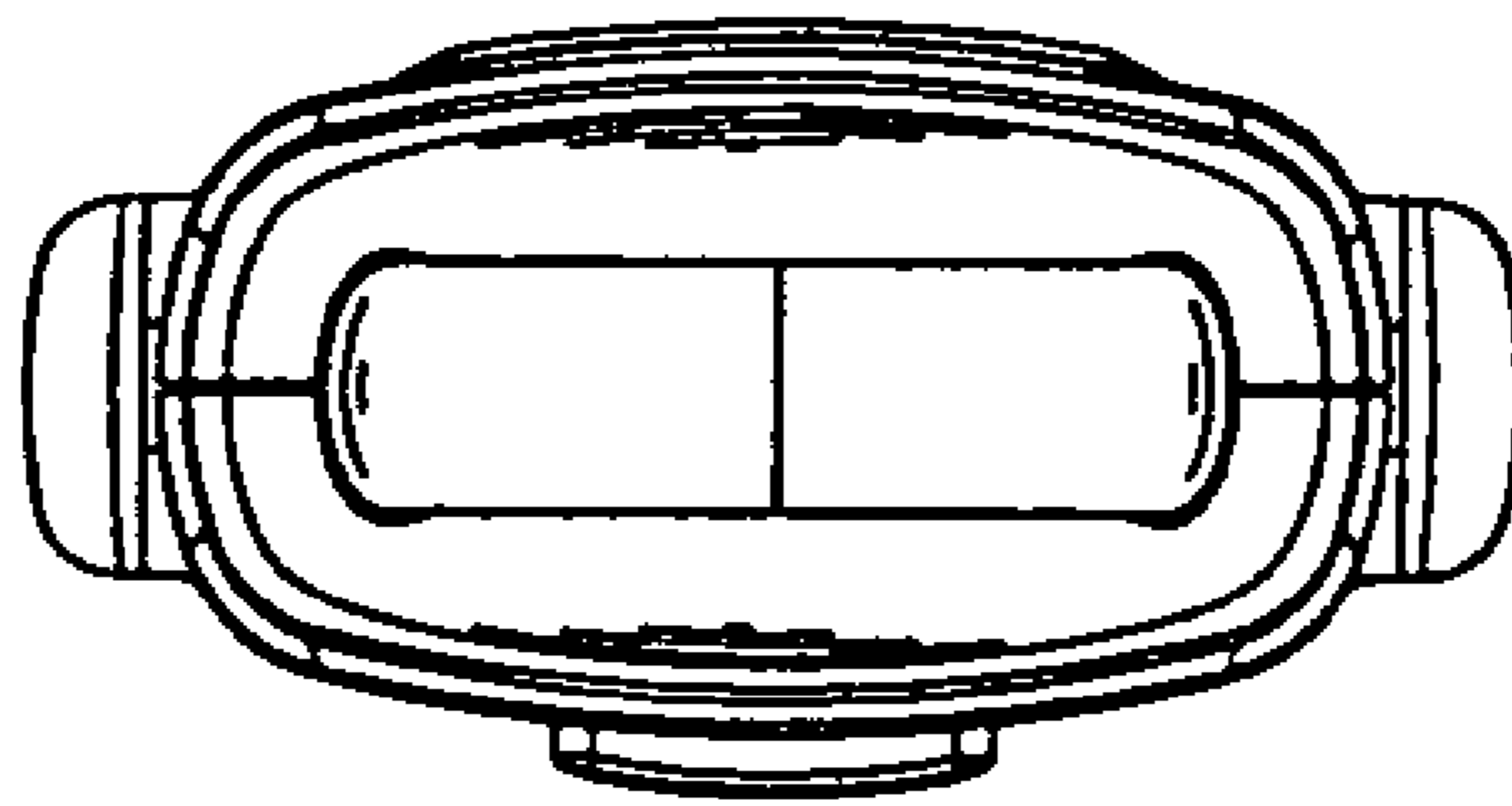


Fig. 6

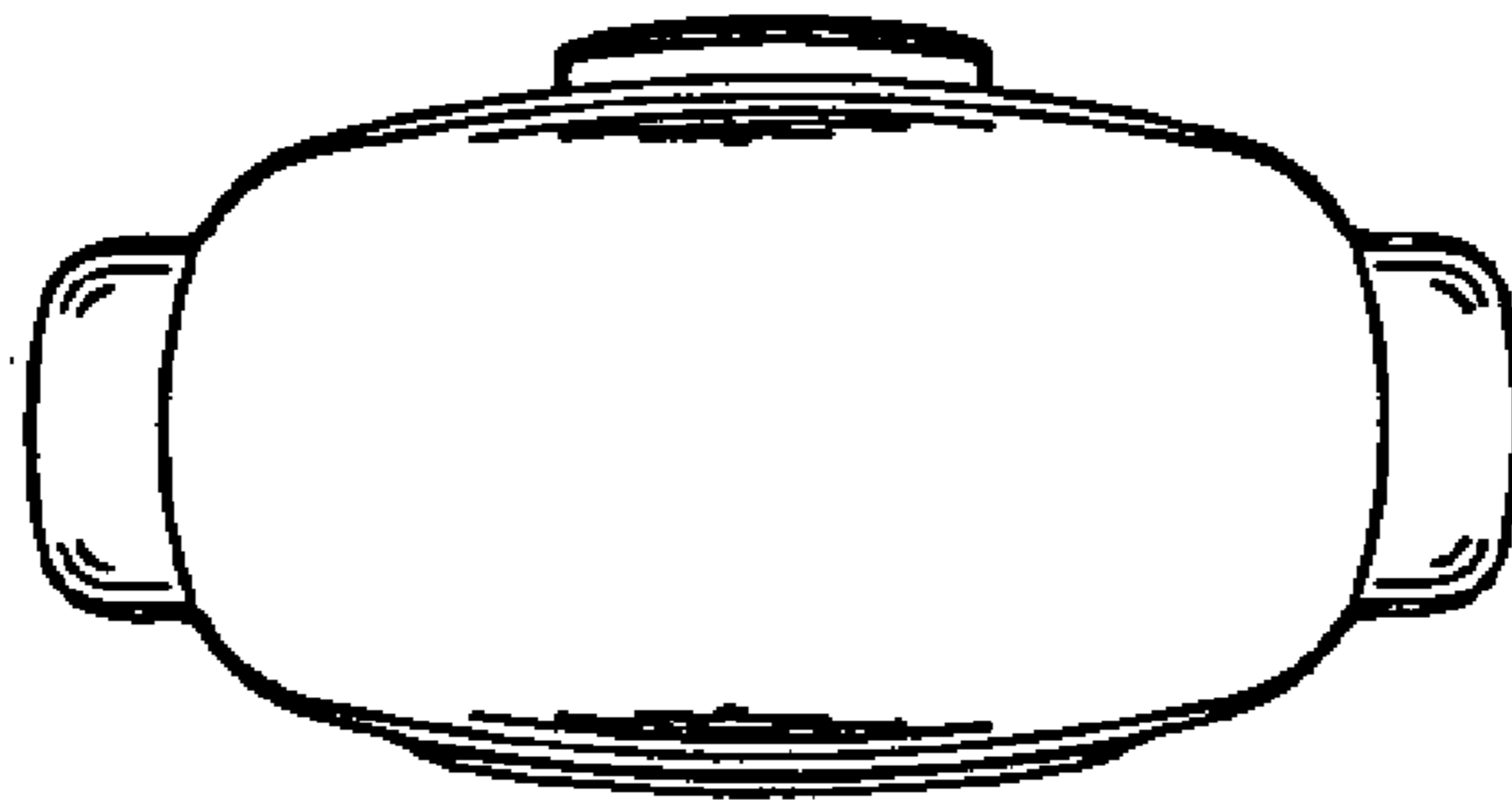


Fig. 7

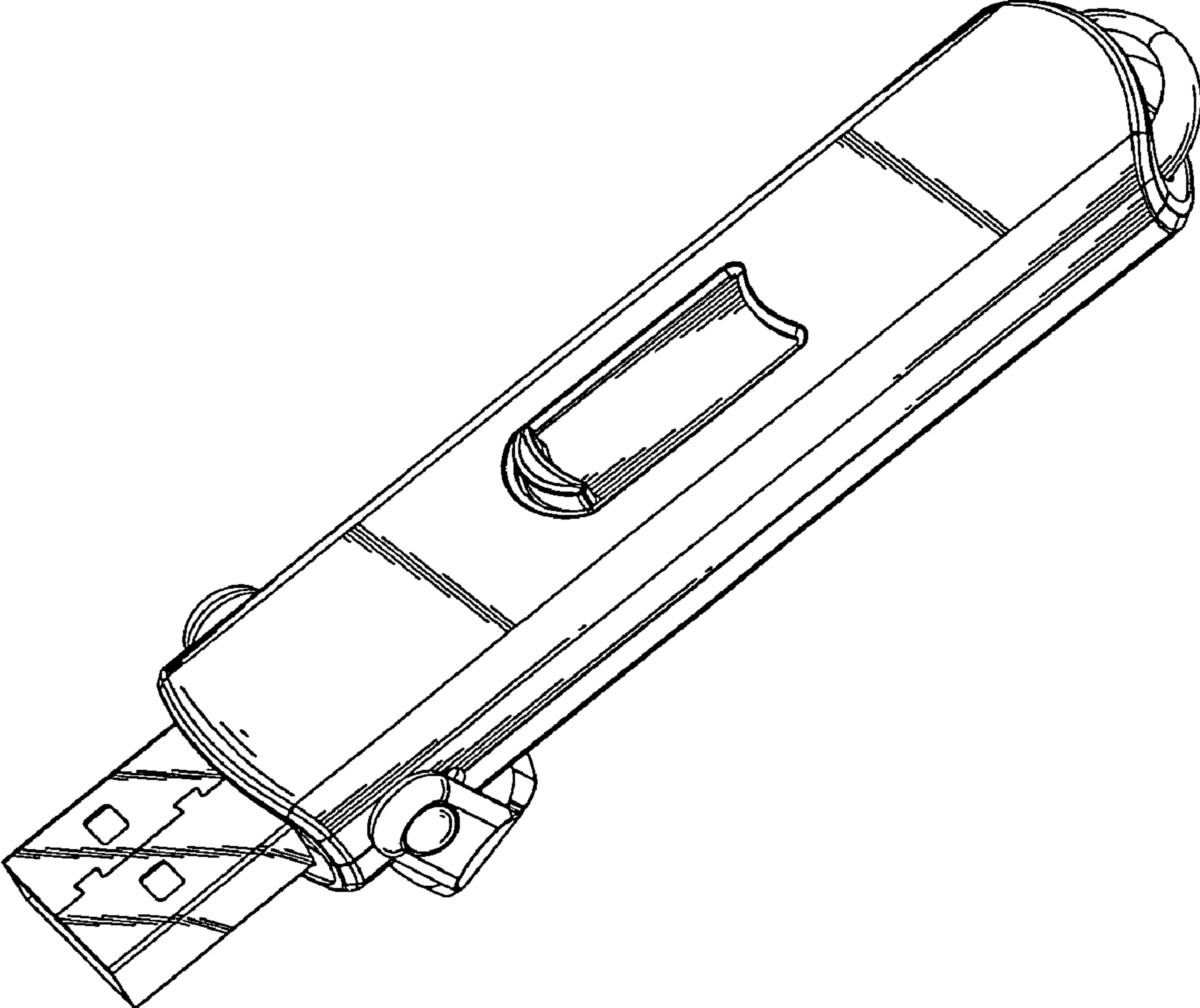


Fig. 8