



US00D557696S

(12) **United States Design Patent**
Conti et al.

(10) **Patent No.:** **US D557,696 S**
(45) **Date of Patent:** **** Dec. 18, 2007**

(54) **PORTABLE DATA TERMINAL**

(75) Inventors: **Brian Vincent Conti**, Matthews, NC (US); **Timothy R. Fitch**, Syracuse, NY (US)

(73) Assignee: **Hand Held Products, Inc.**, Skaneateles Falls, NY (US)

(**) Term: **14 Years**

(21) Appl. No.: **29/264,860**

(22) Filed: **Aug. 21, 2006**

(51) **LOC (8) Cl.** **14-02**

(52) **U.S. Cl.** **D14/346**

(58) **Field of Classification Search** D14/341-346, D14/138; D18/1, 2, 7, 11; 235/145 A, 145 R; 341/22, 23; 345/156, 168, 169, 172, 173; 349/12; 361/680-686; 400/485; 434/323
See application file for complete search history.

(56) **References Cited**

U.S. PATENT DOCUMENTS

D248,946 S	8/1978	Koenig
D258,956 S	4/1981	Chadima, Jr.
4,801,786 A	1/1989	Stobbe
D302,265 S	7/1989	Siegner et al.
D340,034 S	10/1993	Hofstetter et al.
D341,584 S	11/1993	Shepard et al.
D355,904 S	2/1995	Swartz et al.
5,410,141 A	4/1995	Koenck et al.
D366,044 S	1/1996	Hara et al.
D386,152 S	11/1997	Warneke
D391,234 S	2/1998	Chacon et al.
D392,282 S	3/1998	Ahearn et al.
D398,002 S	9/1998	Chacon et al.
5,801,918 A	9/1998	Ahearn et al.
D400,872 S	11/1998	Ahearn et al.
D405,075 S	2/1999	Ahearn et al.
D405,076 S	2/1999	Ahearn et al.
D414,760 S	10/1999	Hetfield et al.
D417,445 S	12/1999	Chacon et al.

D431,562 S	10/2000	Bhatia et al.
D433,017 S *	10/2000	Martinez D14/346
D463,425 S	9/2002	Jenkins

(Continued)

OTHER PUBLICATIONS

U.S. Appl. No. 29/248,008, filed Jul. 25, 2006, Dorr et al.
U.S. Appl. No. 29/248,469, filed Aug. 17, 2006, Fitch et al.

Primary Examiner—Freda S Nunn

(74) *Attorney, Agent, or Firm*—Hammer & Hanf, P.C.

(57) **CLAIM**

The ornamental design for a portable data terminal, as shown and described.

DESCRIPTION

FIG. 1 is a bottom, front, and left side perspective view of a portable data terminal;

FIG. 2 is a bottom, rear and right side perspective view of the portable data terminal shown in FIG. 1;

FIG. 3 is a bottom perspective view of the portable data terminal shown in FIG. 1;

FIG. 4 is a front view of the portable data terminal shown in FIG. 1;

FIG. 5 is rear view of the portable data terminal shown in FIG. 1;

FIG. 6 is a bottom view of the portable data terminal shown in FIG. 1;

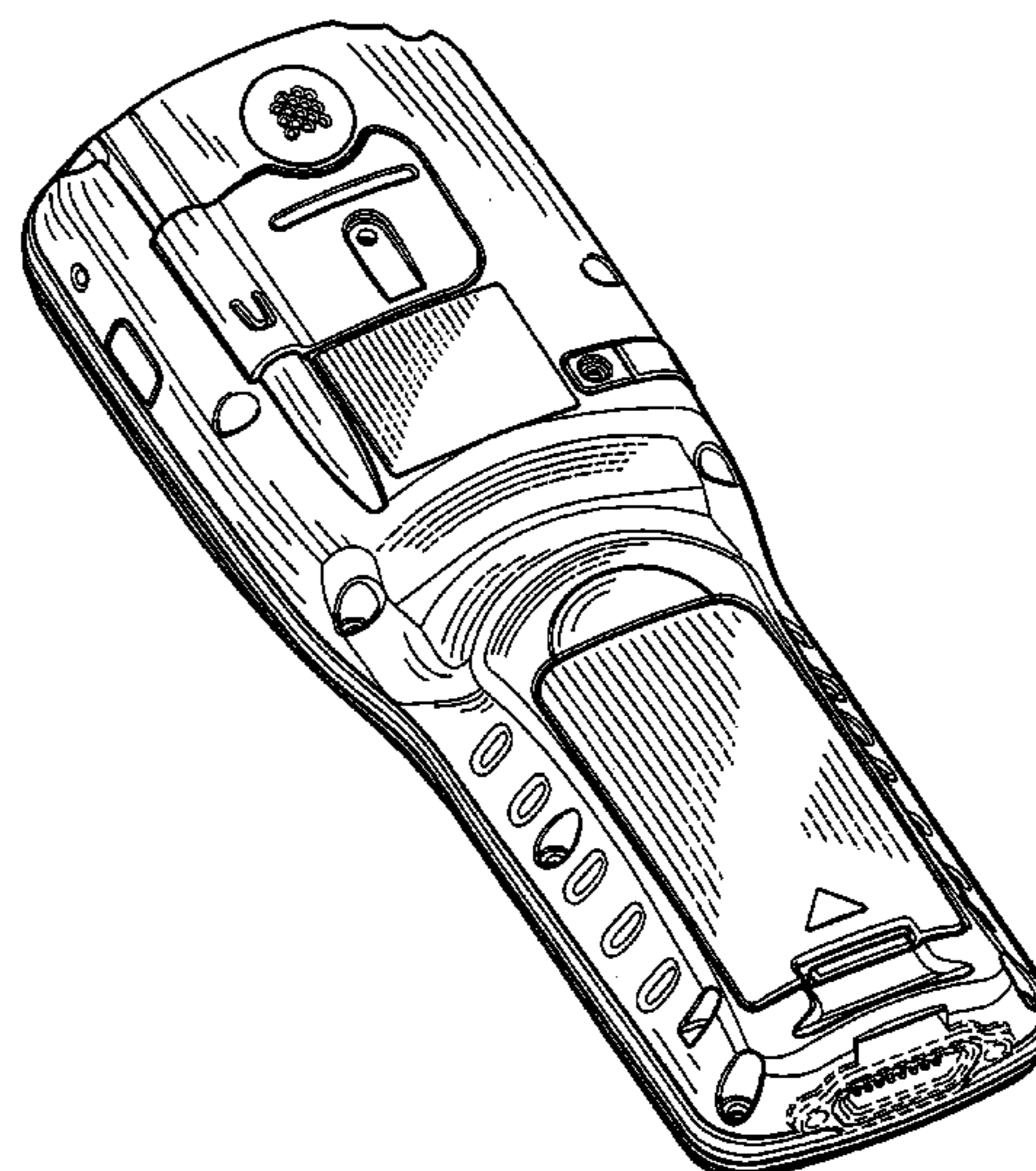
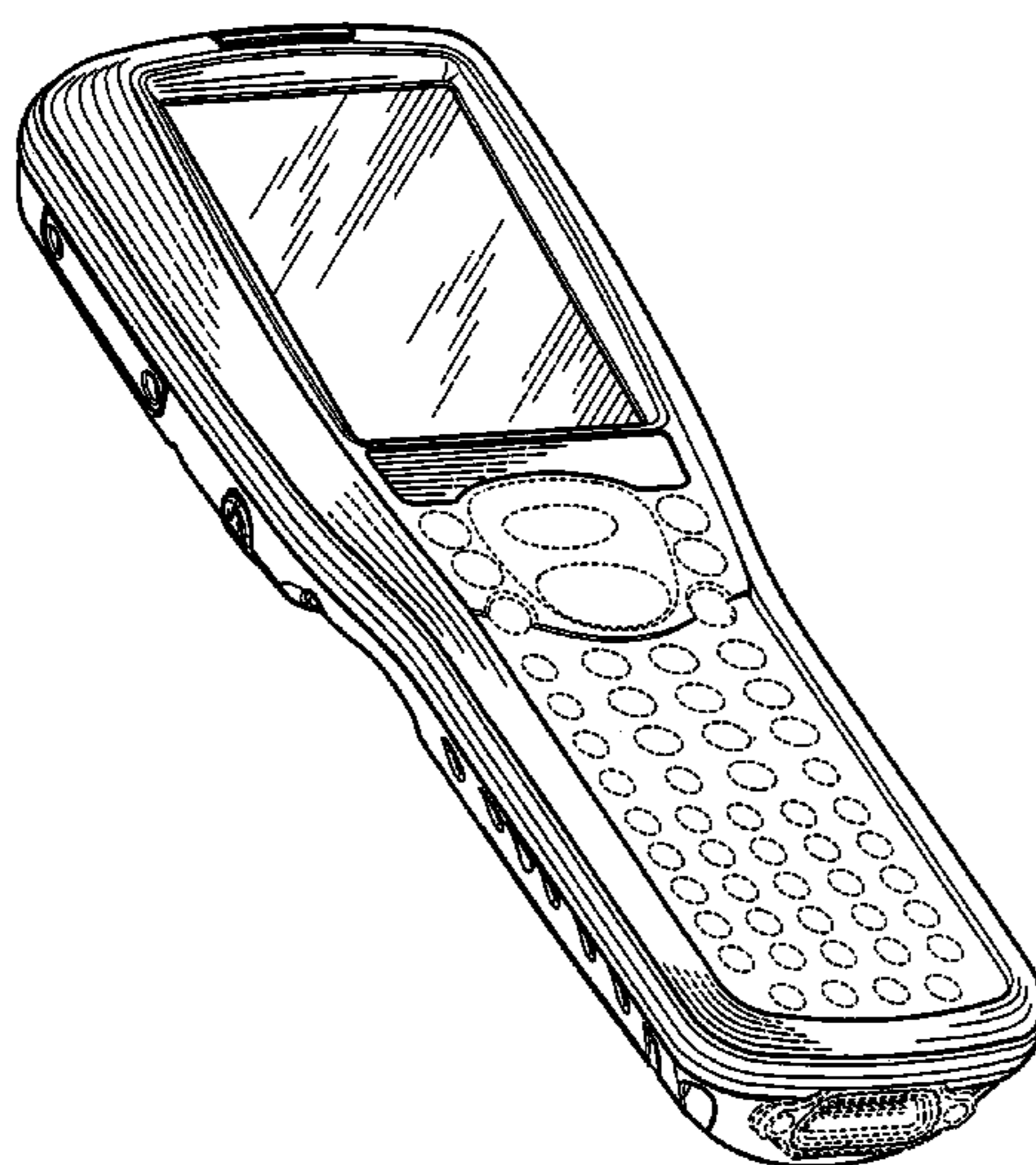
FIG. 7 is a top view of the portable data terminal shown in FIG. 1;

FIG. 8 is a left side view of the portable data terminal shown in FIG. 1; and,

FIG. 9 is a right side view of the portable data terminal shown in FIG. 1.

The broken lines are shown in the views for illustrative purposes only and form no part of the claimed design.

1 Claim, 7 Drawing Sheets



US D557,696 S

Page 2

U.S. PATENT DOCUMENTS						
			7,083,342	B2 *	8/2006	Griffin 400/485
D476,330	S	6/2003	Ahearn et al.	2005/0057520	A1 *	3/2005 Robinson 345/169
D492,681	S	7/2004	Ahearn et al.	2005/0083642	A1 *	4/2005 Senpuku et al. 361/681
D494,593	S	8/2004	Wulff et al.	2005/0156897	A1 *	7/2005 Suzuki 345/169
D505,423	S	5/2005	Ahearn et al.			
D511,773	S	* 11/2005	Horiki et al.	D14/346		* cited by examiner

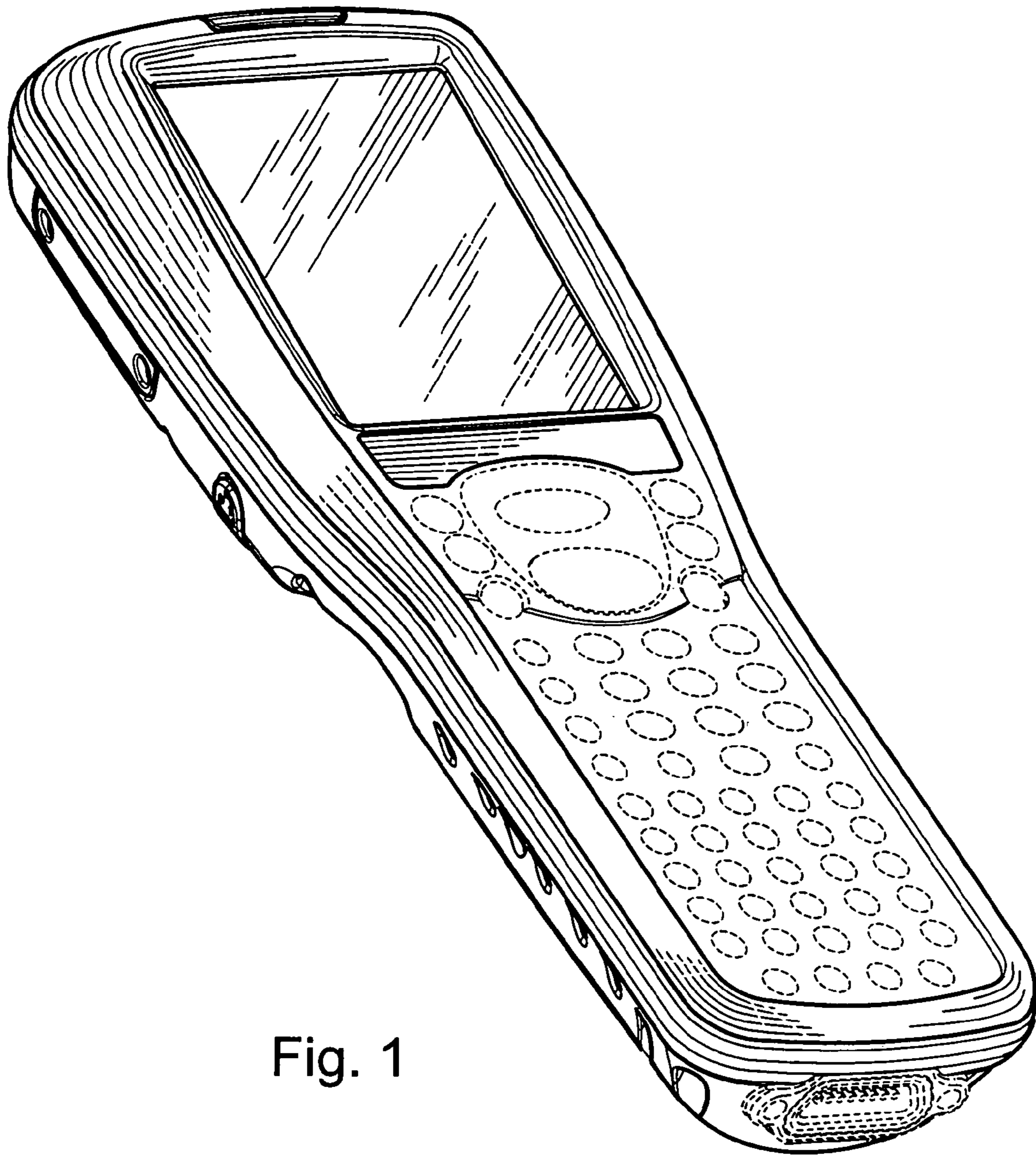


Fig. 1

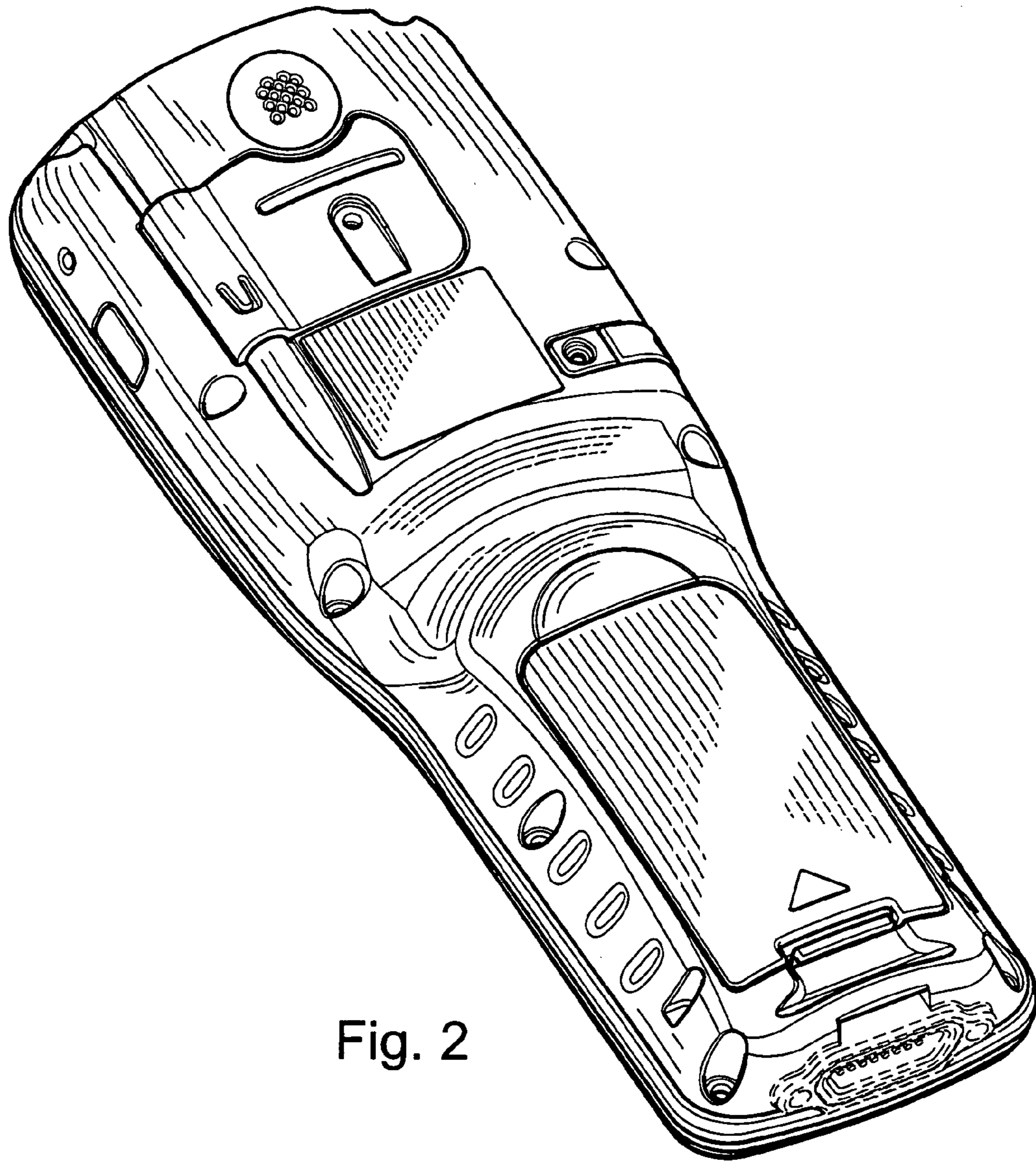


Fig. 2

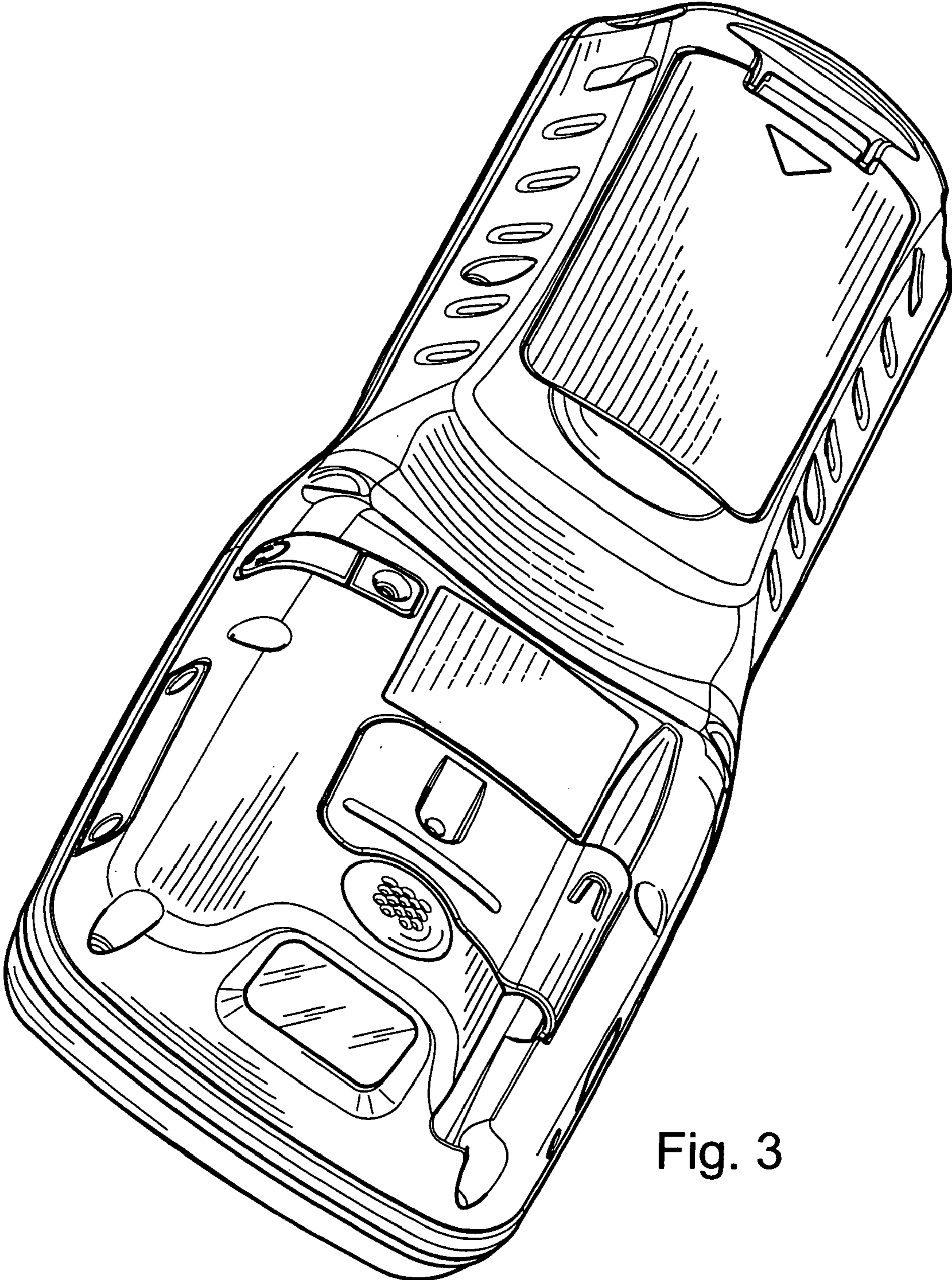


Fig. 3

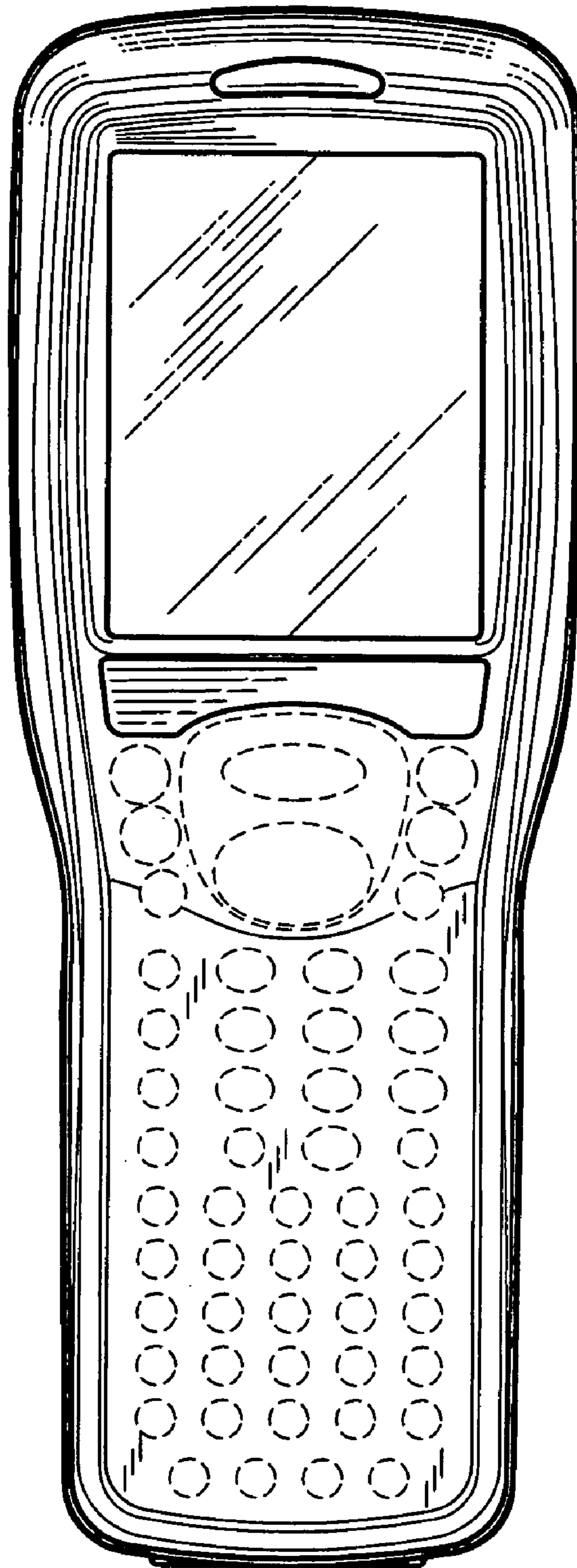


Fig. 4

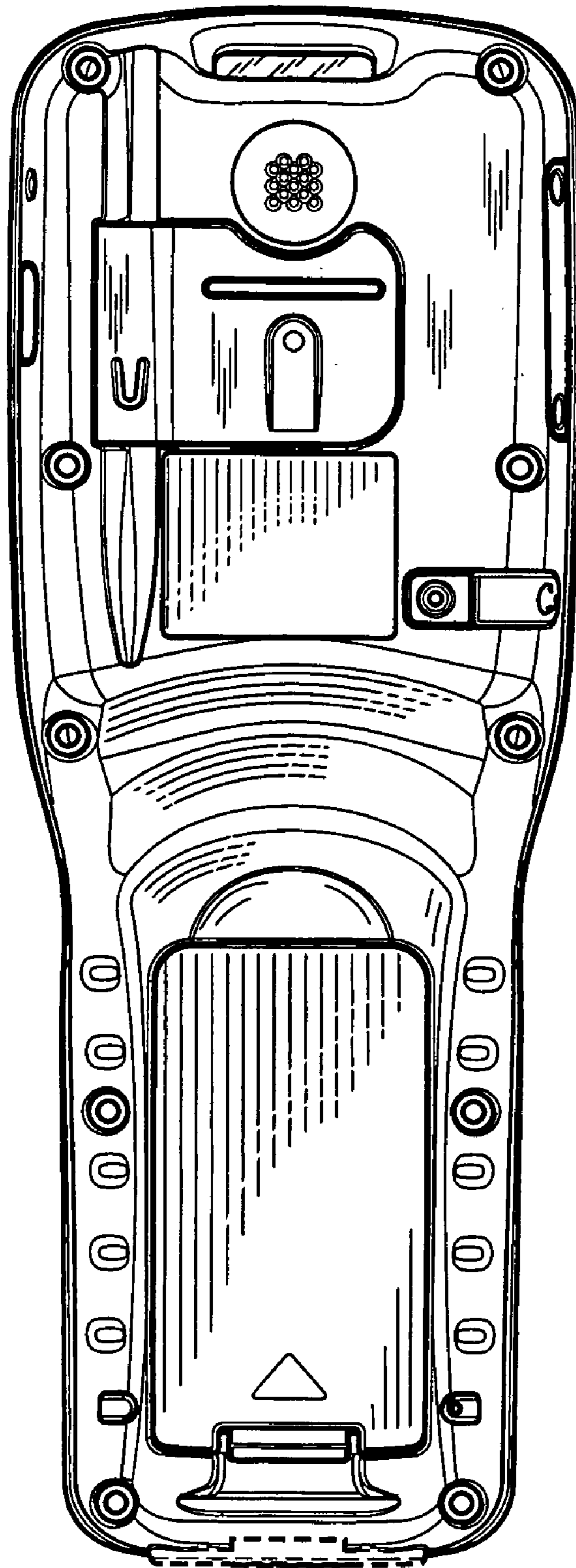


Fig. 5

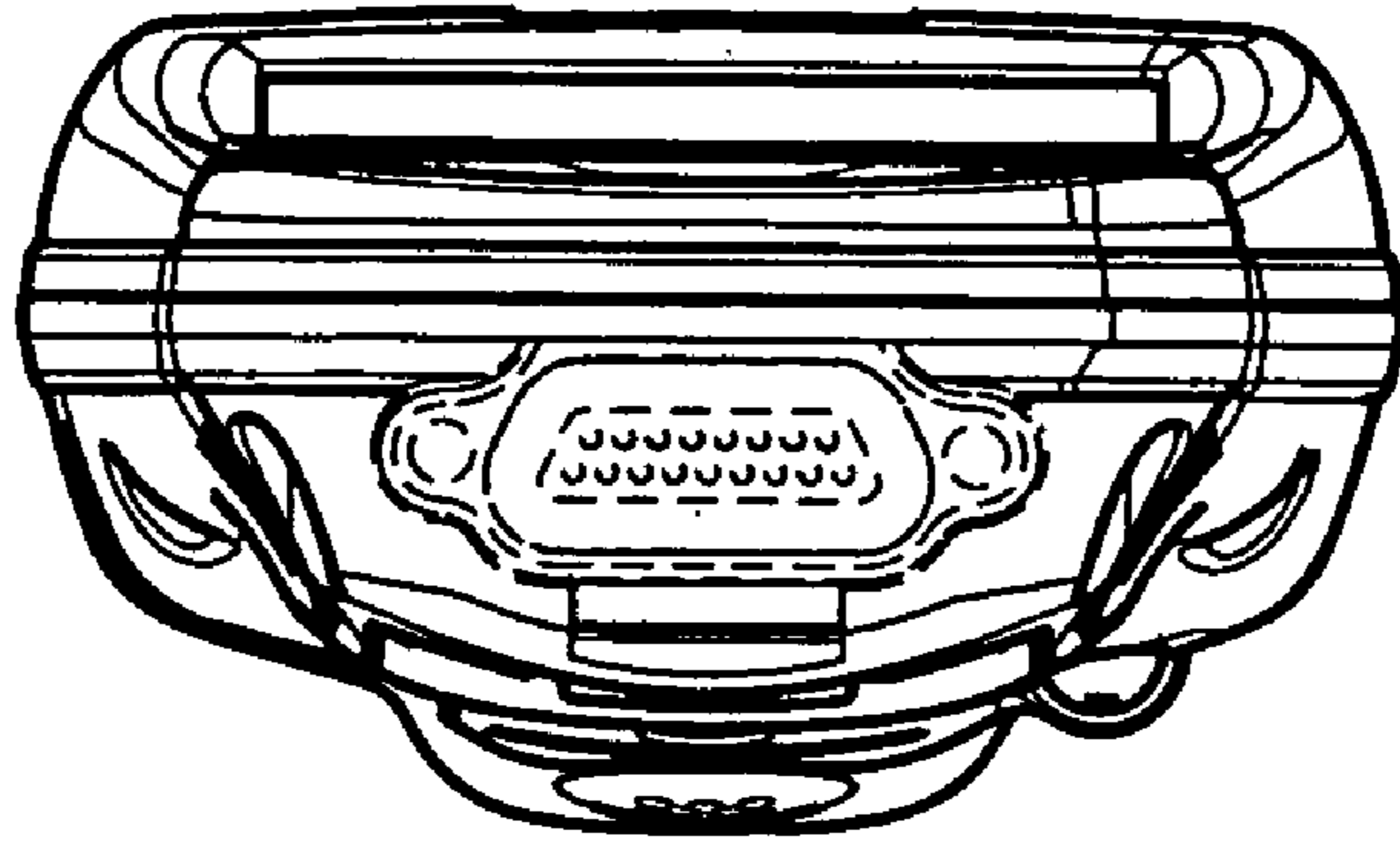


Fig. 6

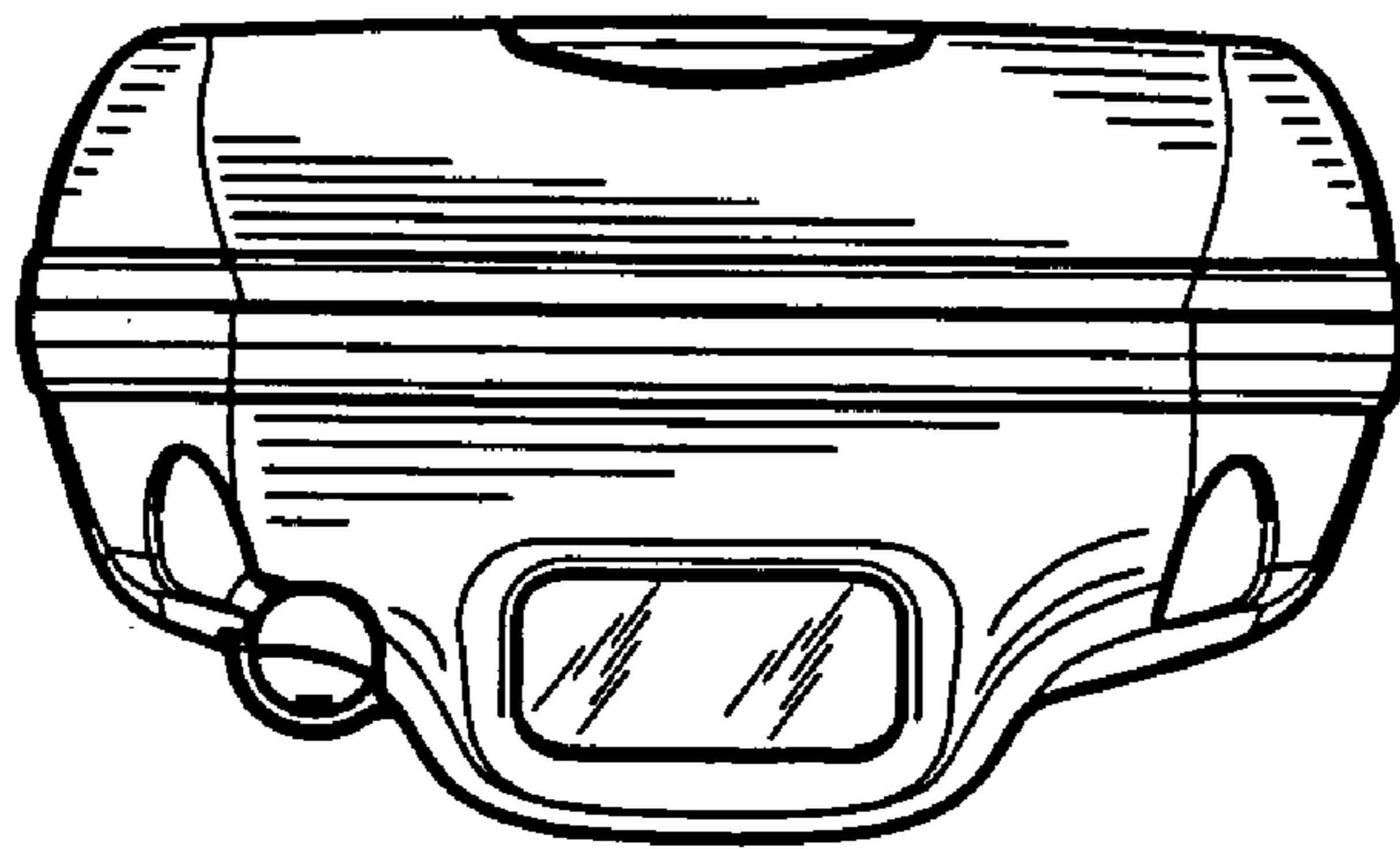


Fig. 7

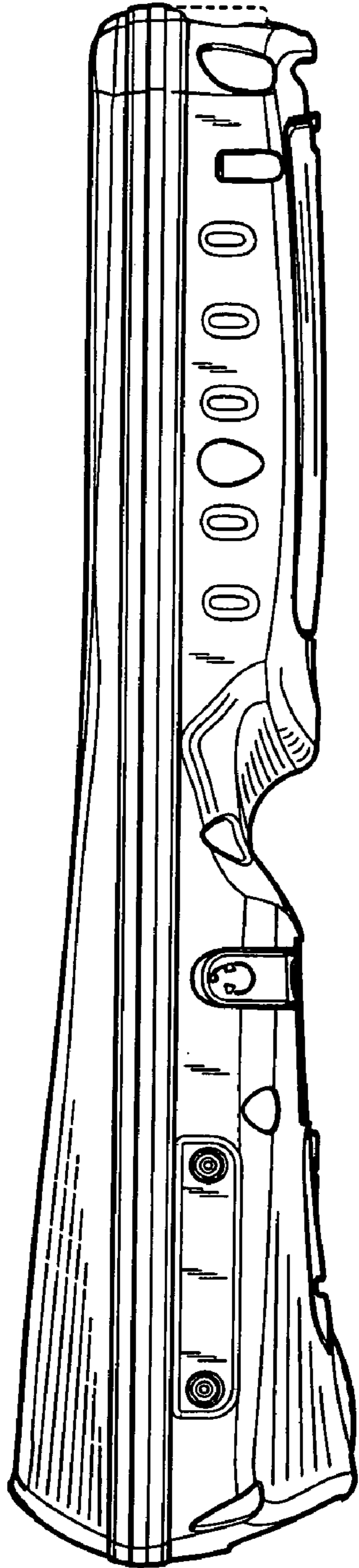


Fig. 8

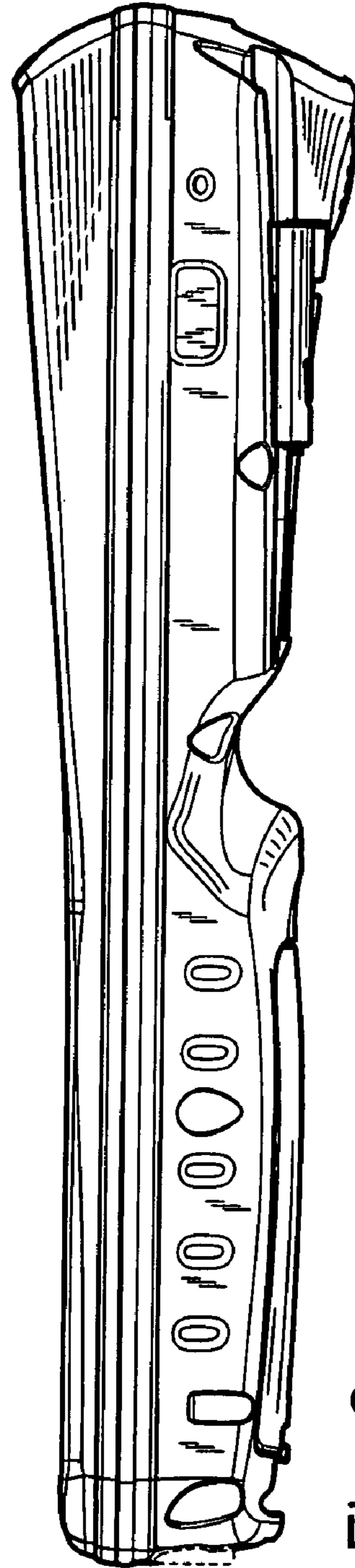


Fig. 9