



US00D557695S

(12) **United States Design Patent**  
**Cheng et al.**

(10) **Patent No.:** **US D557,695 S**

(45) **Date of Patent:** **\*\* Dec. 18, 2007**

(54) **PORTABLE COMPUTER**

(75) Inventors: **Wen-Xiang Cheng**, Taipei (TW);  
**Hua-Yu Huang**, Taipei (TW);  
**Ying-Fung Lau**, Taipei (TW); **Yun-Ju Chen**, Taipei (TW)

(73) Assignee: **Asustek Computer Inc.**, Taipei (TW)

(\*\*) Term: **14 Years**

(21) Appl. No.: **29/262,666**

(22) Filed: **Jul. 10, 2006**

(51) **LOC (8) Cl.** ..... **14-02**

(52) **U.S. Cl.** ..... **D14/315**

(58) **Field of Classification Search** ..... D14/315-328,  
D14/308; D18/1, 2, 7, 11; 235/145 A, 145 R;  
341/22, 23; 345/156, 168, 169, 172, 173,  
345/1.1; 349/12; 361/680-686; D19/60  
See application file for complete search history.

(56) **References Cited**

**U.S. PATENT DOCUMENTS**

- 5,103,376 A \* 4/1992 Blonder ..... 361/681
- D345,347 S \* 3/1994 Yamazaki ..... D14/322
- D356,071 S \* 3/1995 Gotoh ..... D14/322
- D384,652 S \* 10/1997 Yamazaki ..... D14/318
- 5,745,340 A \* 4/1998 Landau ..... 361/681
- 6,028,764 A \* 2/2000 Richardson et al. .... 361/681
- 6,118,436 A \* 9/2000 Kushita ..... 345/173

- 6,700,773 B1 \* 3/2004 Adriaansen et al. .... 361/680
- D519,500 S \* 4/2006 Maskatia et al. .... D14/318
- 2004/0108968 A1 \* 6/2004 Finke-Anlauff ..... 345/1.1

\* cited by examiner

*Primary Examiner*—Freda S. Nunn

(74) *Attorney, Agent, or Firm*—Bacon & Thomas, PLLC

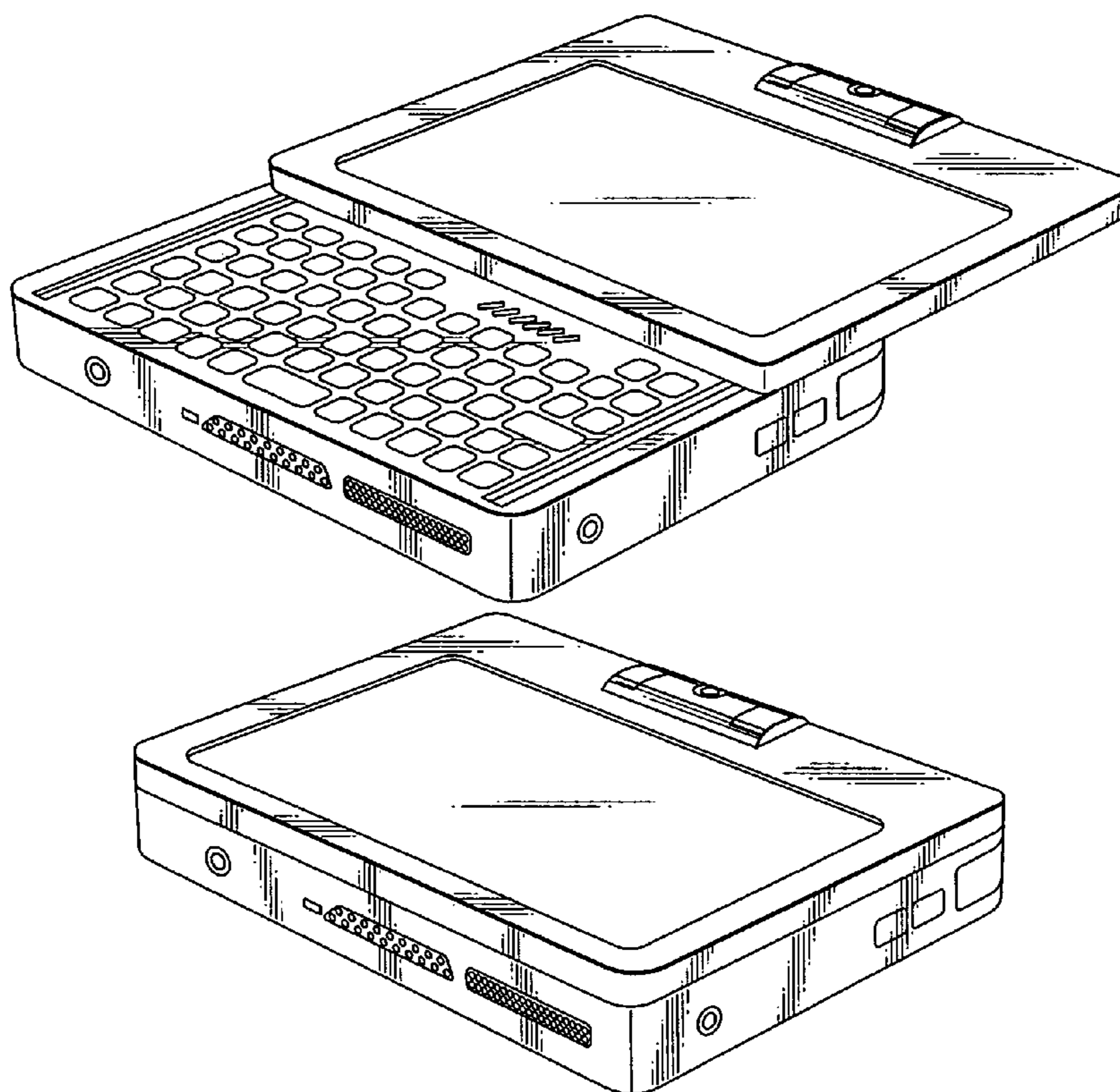
(57) **CLAIM**

The ornamental design for a portable computer, as shown and described.

**DESCRIPTION**

FIG. 1 is a perspective view of a portable computer showing our new design with the computer in the open position;  
 FIG. 2 is a front elevational view thereof;  
 FIG. 3 is a rear elevational view thereof;  
 FIG. 4 is a left side elevational view thereof;  
 FIG. 5 is a right side elevational view thereof;  
 FIG. 6 is a top plan view thereof;  
 FIG. 7 is a bottom plan view thereof;  
 FIG. 8 is a side elevational view thereof showing the upper panel in a different position and at a different angle; and,  
 FIG. 9 is a perspective view of the portable computer in the closed position.

**1 Claim, 5 Drawing Sheets**



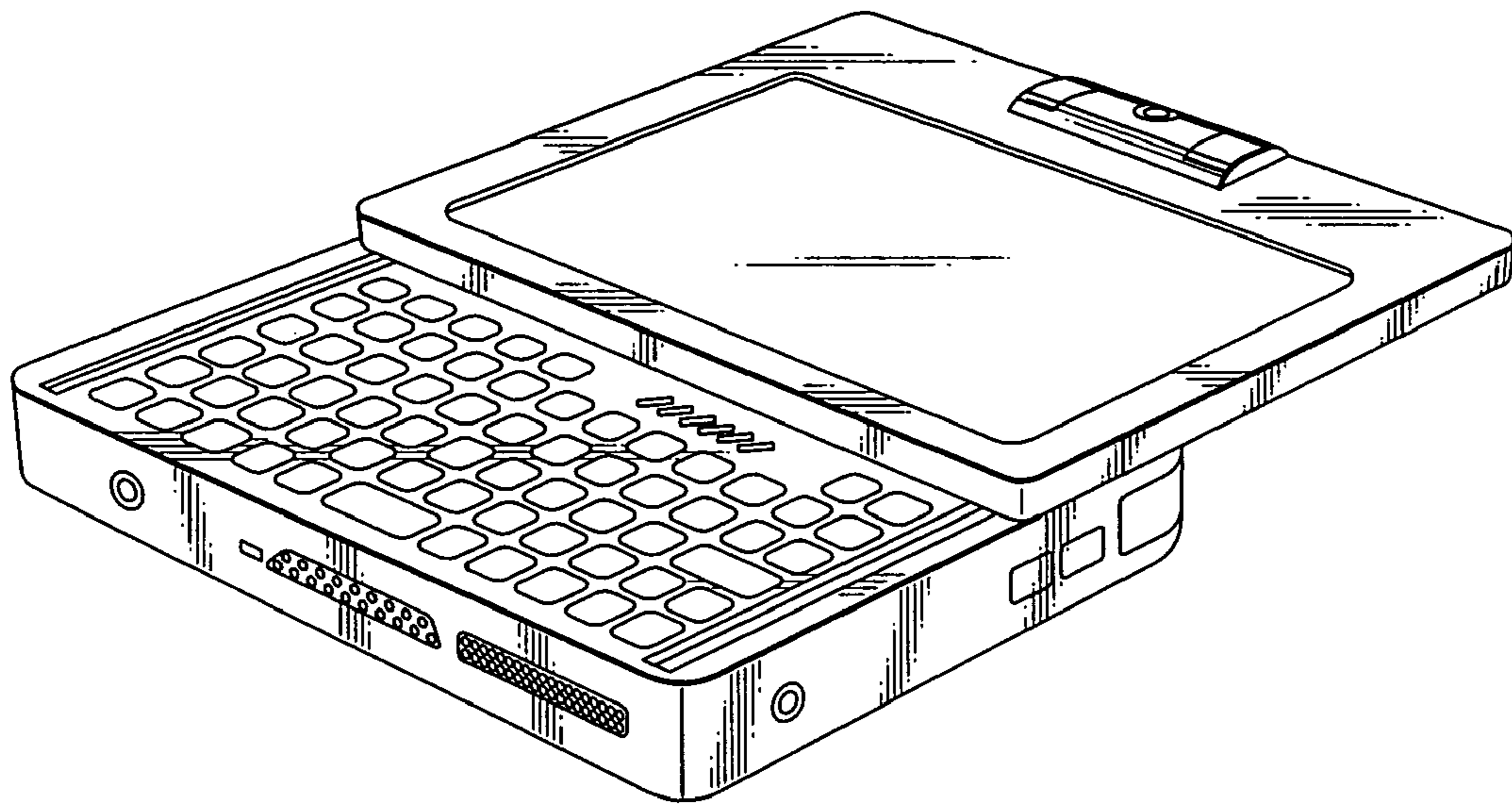


FIG. 1

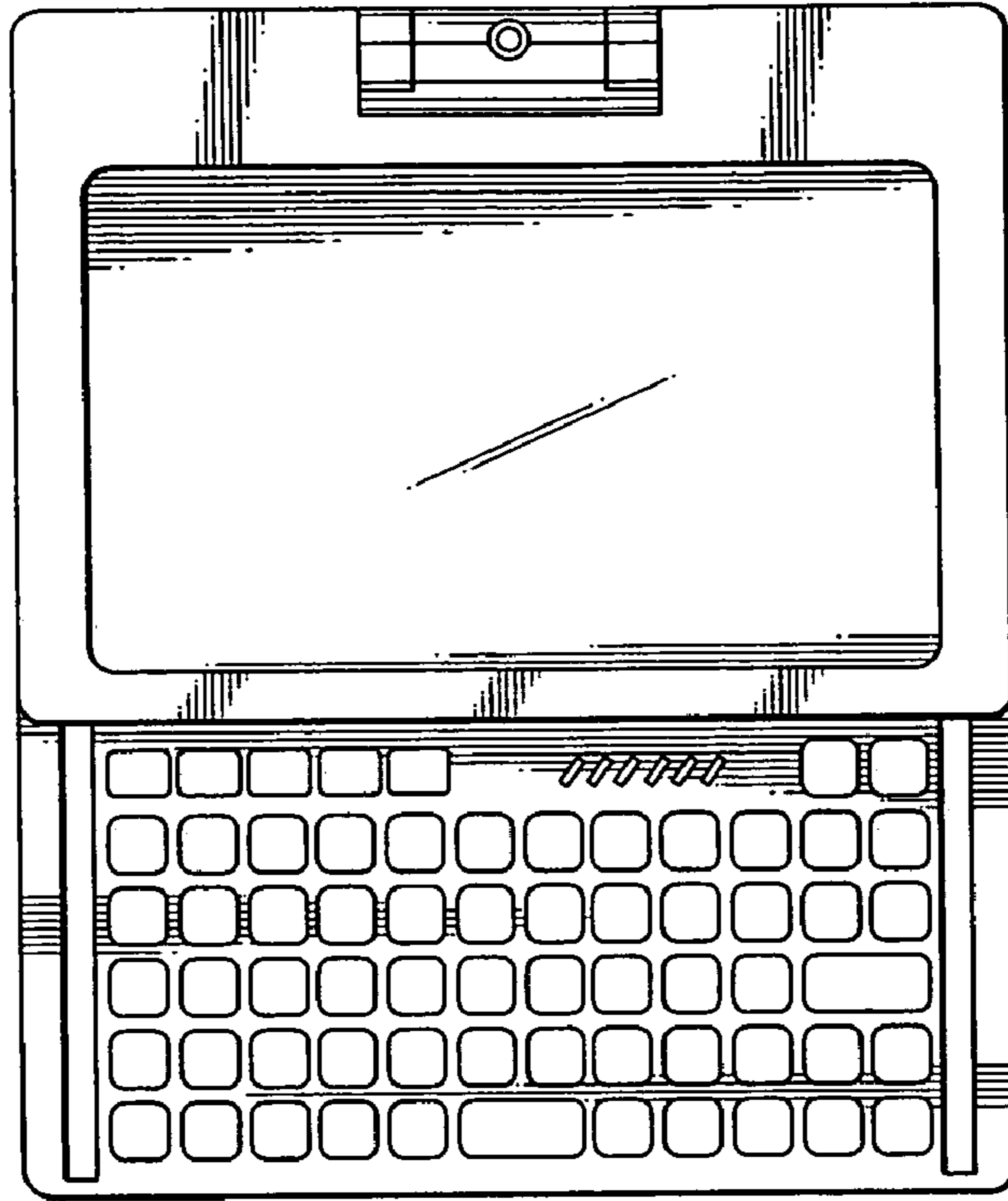


FIG. 2

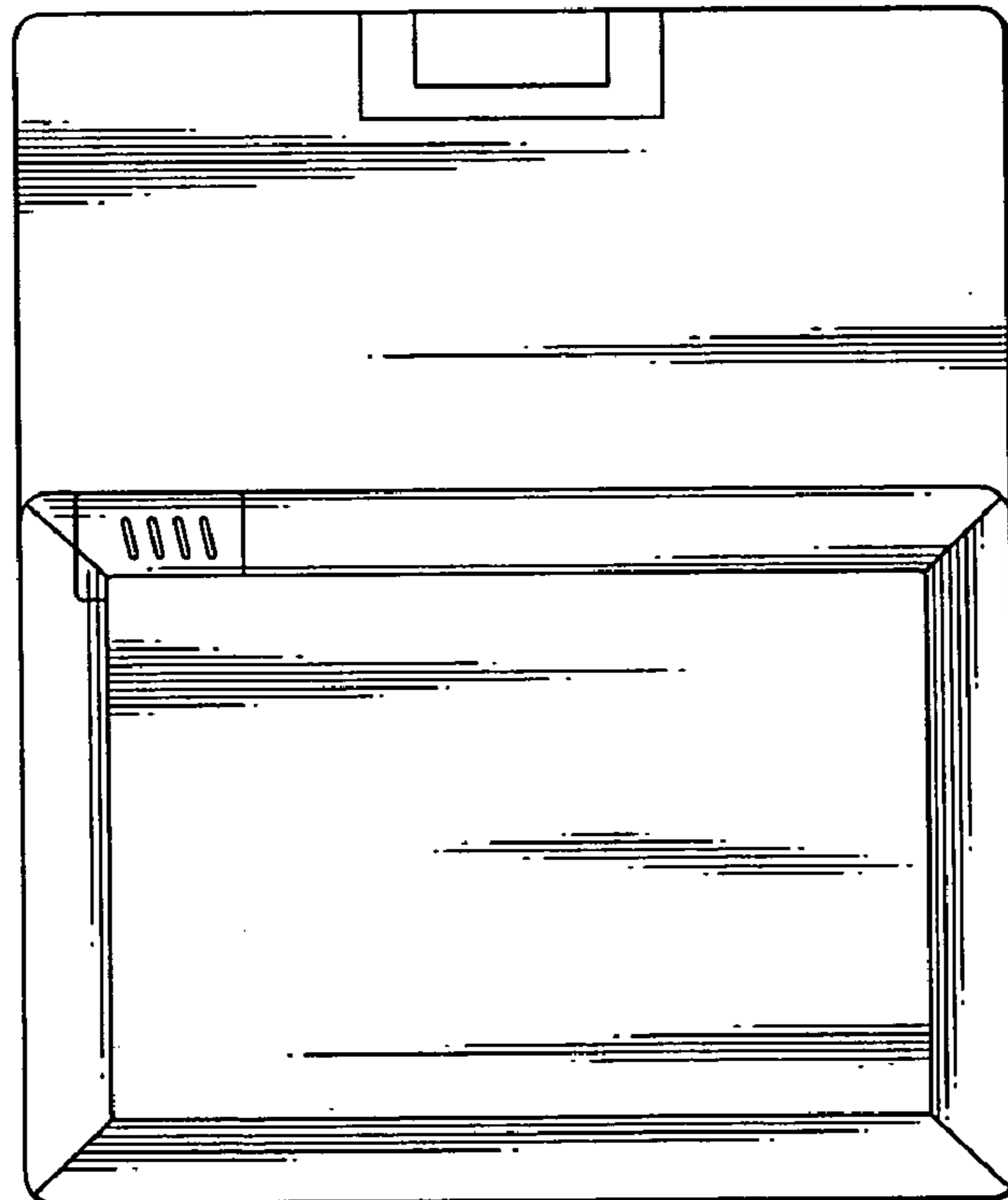


FIG. 3

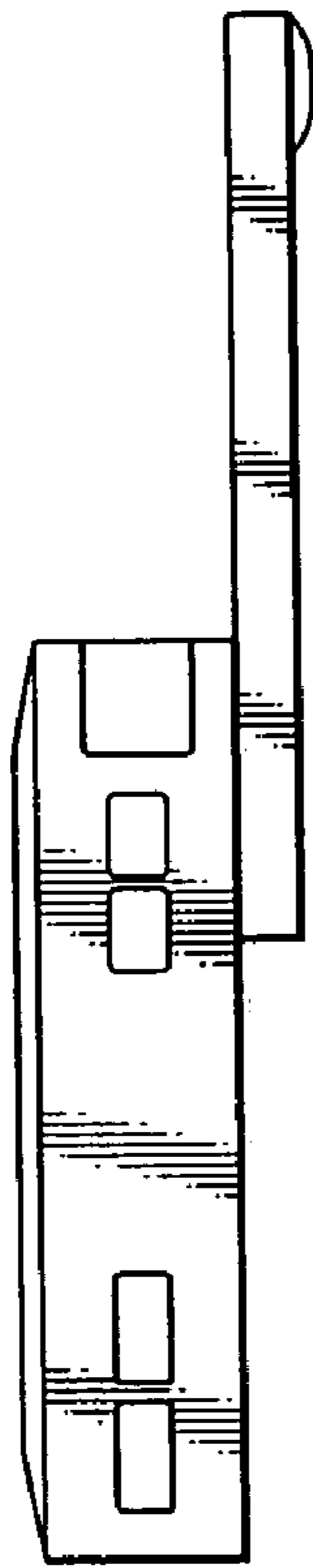


FIG. 4

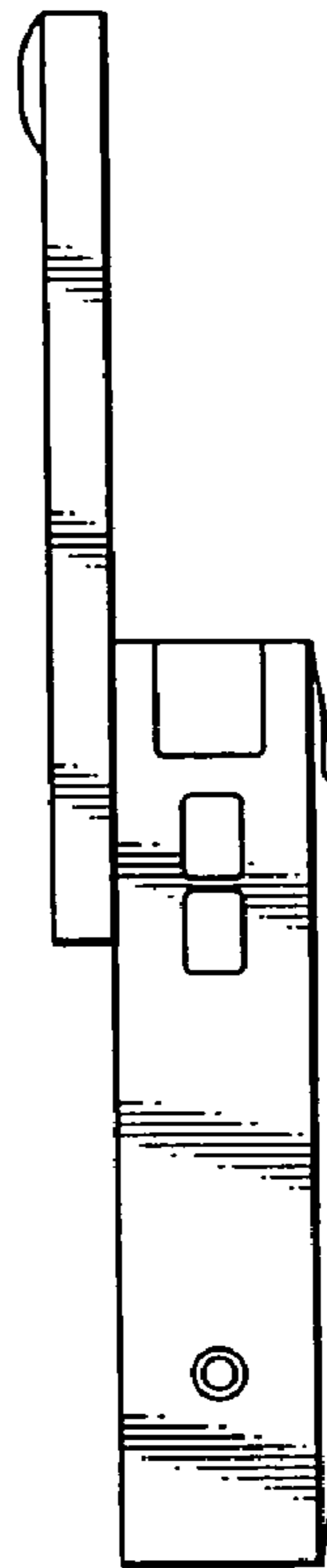


FIG. 5

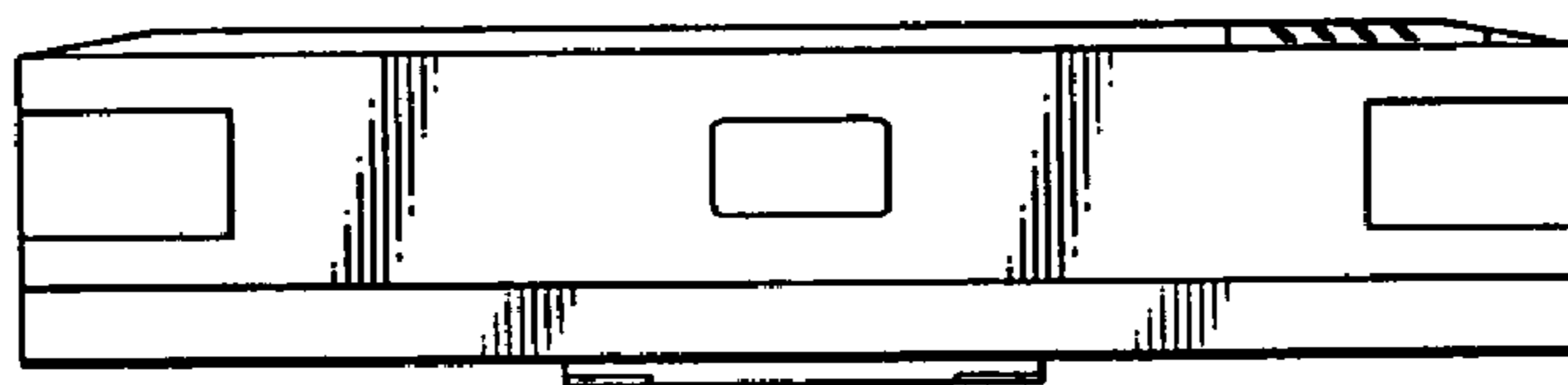


FIG. 6

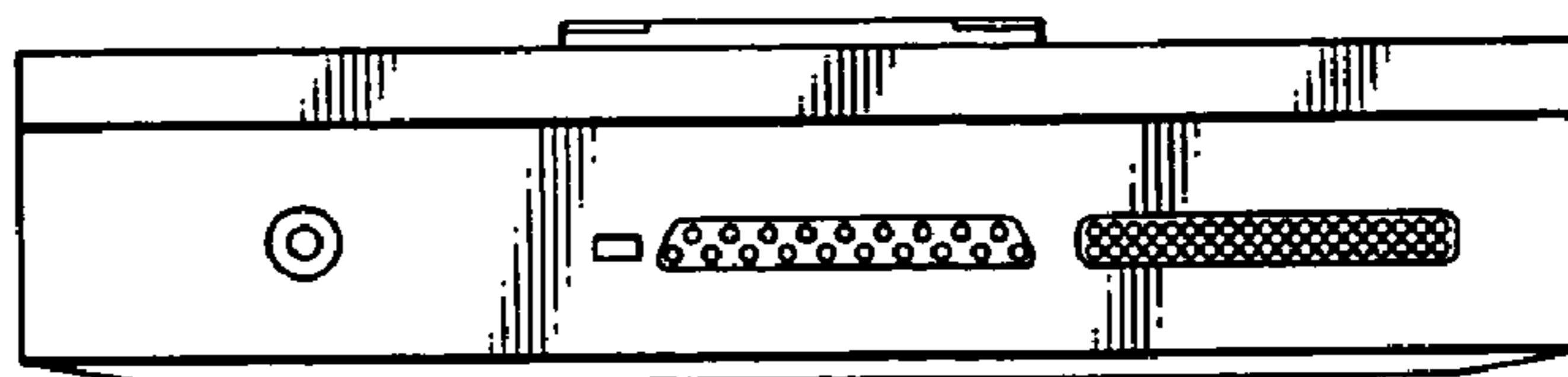


FIG. 7

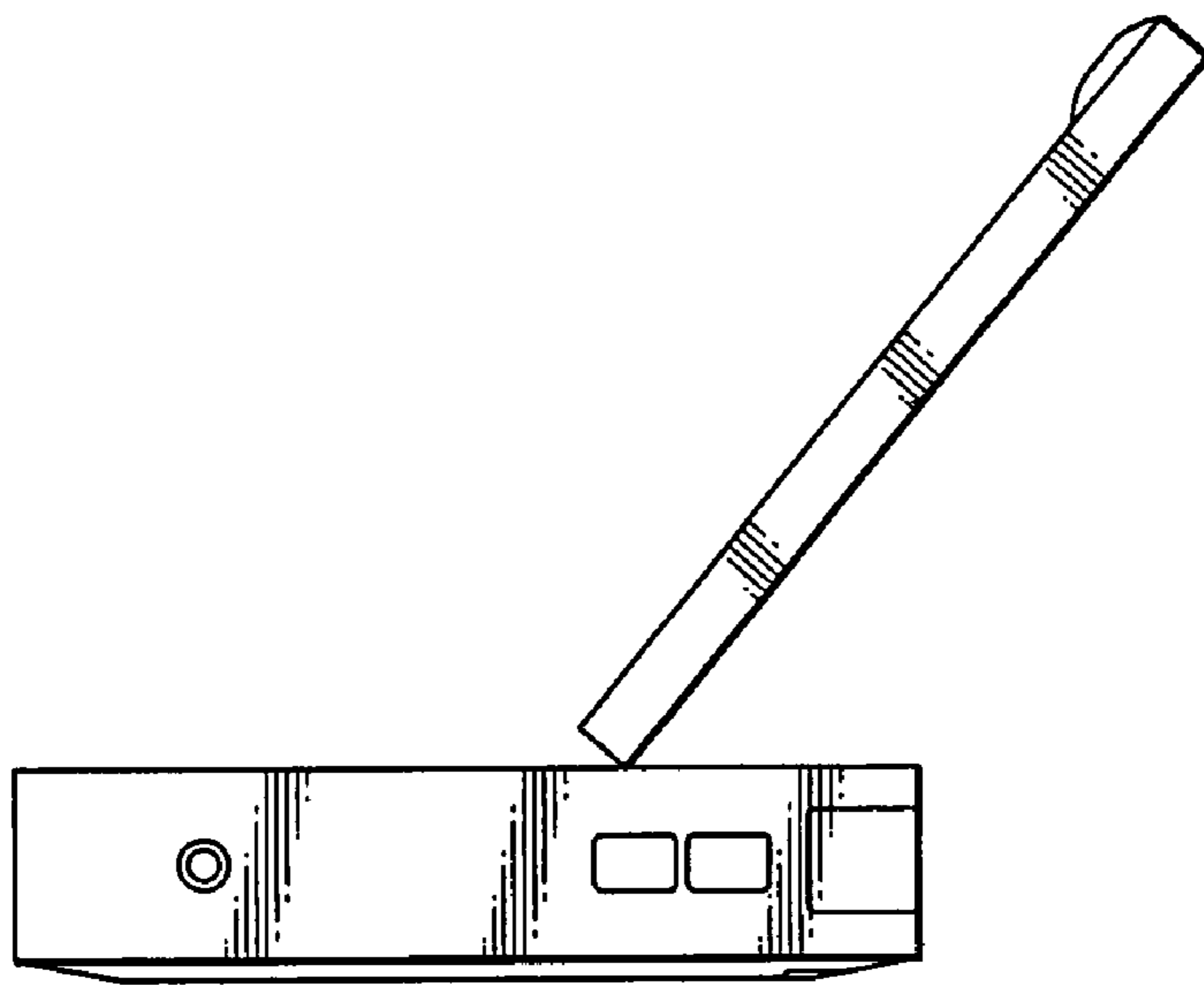


FIG. 8

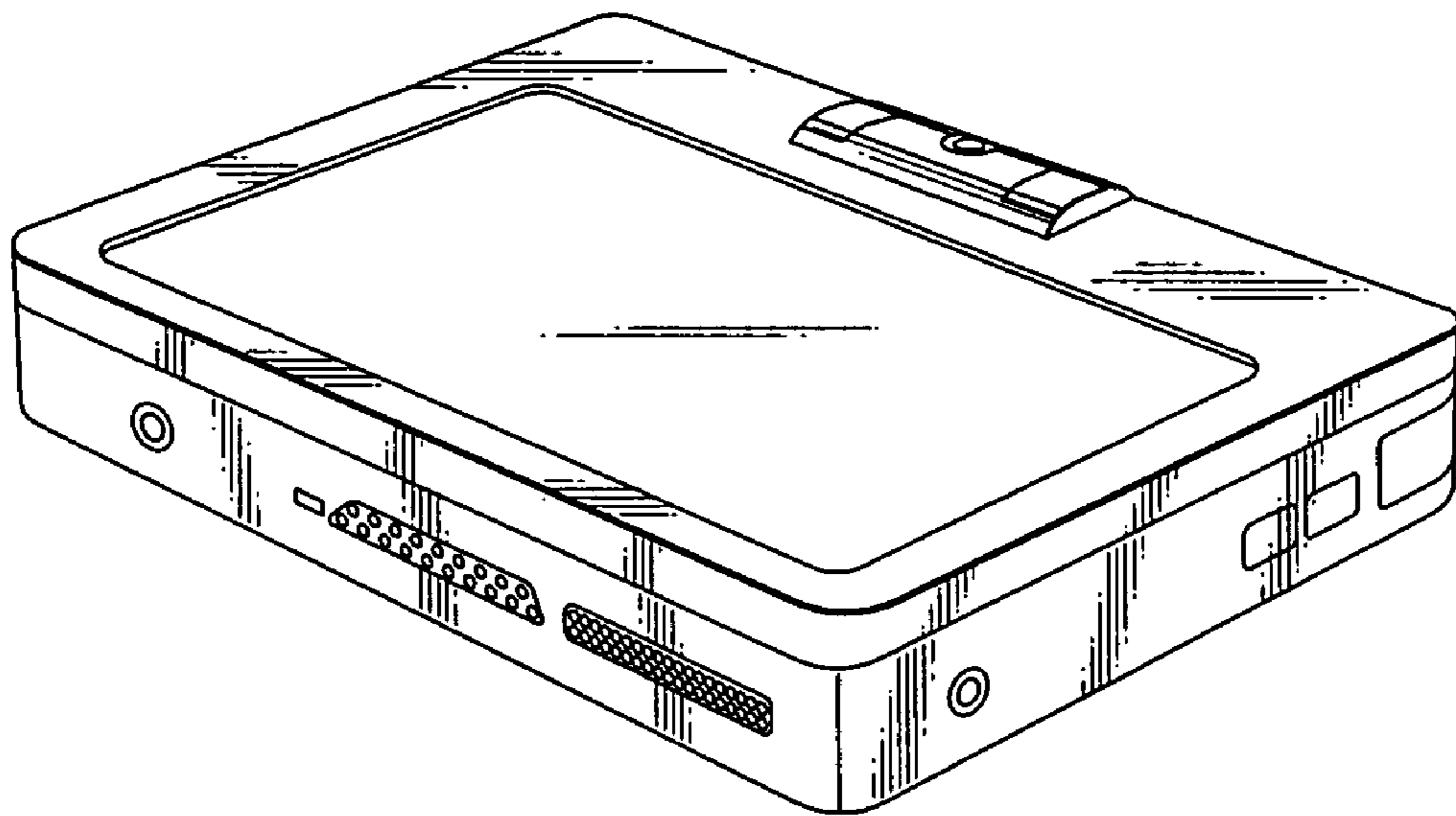


FIG. 9