



US00D557694S

(12) **United States Design Patent**
Bey et al.

(10) **Patent No.:** **US D557,694 S**
(45) **Date of Patent:** **** Dec. 18, 2007**

(54) **DIGITAL AUDIO RECORDING DEVICE**

D537,435 S * 2/2007 Oikawa D14/188
D544,860 S * 6/2007 Kimura et al. D14/258

(75) Inventors: **Fadhly Bey**, San Francisco, CA (US);
David Noppenberger, Baltimore, MD (US);
Kelly Kodama, Alamo, CA (US);
John Haggis, San Jose, CA (US); **Alan Czeszynski**, Pleasanton, CA (US);
Arthur Cohen, Cupertino, CA (US);
Francis Lau, Fremont, CA (US)

* cited by examiner

Primary Examiner—Robert M. Spear
Assistant Examiner—Katrina A Kile

(73) Assignee: **Aerielle Technologies, Inc.**, Mountain View, CA (US)

(74) *Attorney, Agent, or Firm*—Stainbrook & Stainbrook LLP; Craig M. Stainbrook

(**) Term: **14 Years**

(57) **CLAIM**

(21) Appl. No.: **29/246,868**

The ornamental design for a digital audio recording device, as shown and described.

(22) Filed: **May 17, 2006**

(51) **LOC (8) Cl.** **14-01**

DESCRIPTION

(52) **U.S. Cl.** **D14/257**

(58) **Field of Classification Search** D14/257,
D14/258, 224, 217, 198, 197, 193, 192, 188,
D14/168, 167, 165, 164, 163, 162, 161, 160,
D14/157, 156, 154, 136, 135; 720/691, 658,
720/270; 455/344, 575.1; 396/434, 93;
386/1; 369/93, 75.1; 360/47, 4; 359/550,
359/258; 379/460, 159, 10

FIG. 1 is an upper right front perspective view;
FIG. 2 is a front elevational view;
FIG. 3 is a top plan view;
FIG. 4 is a left side elevational view, right side is mirror image thereof; and,
FIG. 5 is a rear elevational view.

See application file for complete search history.

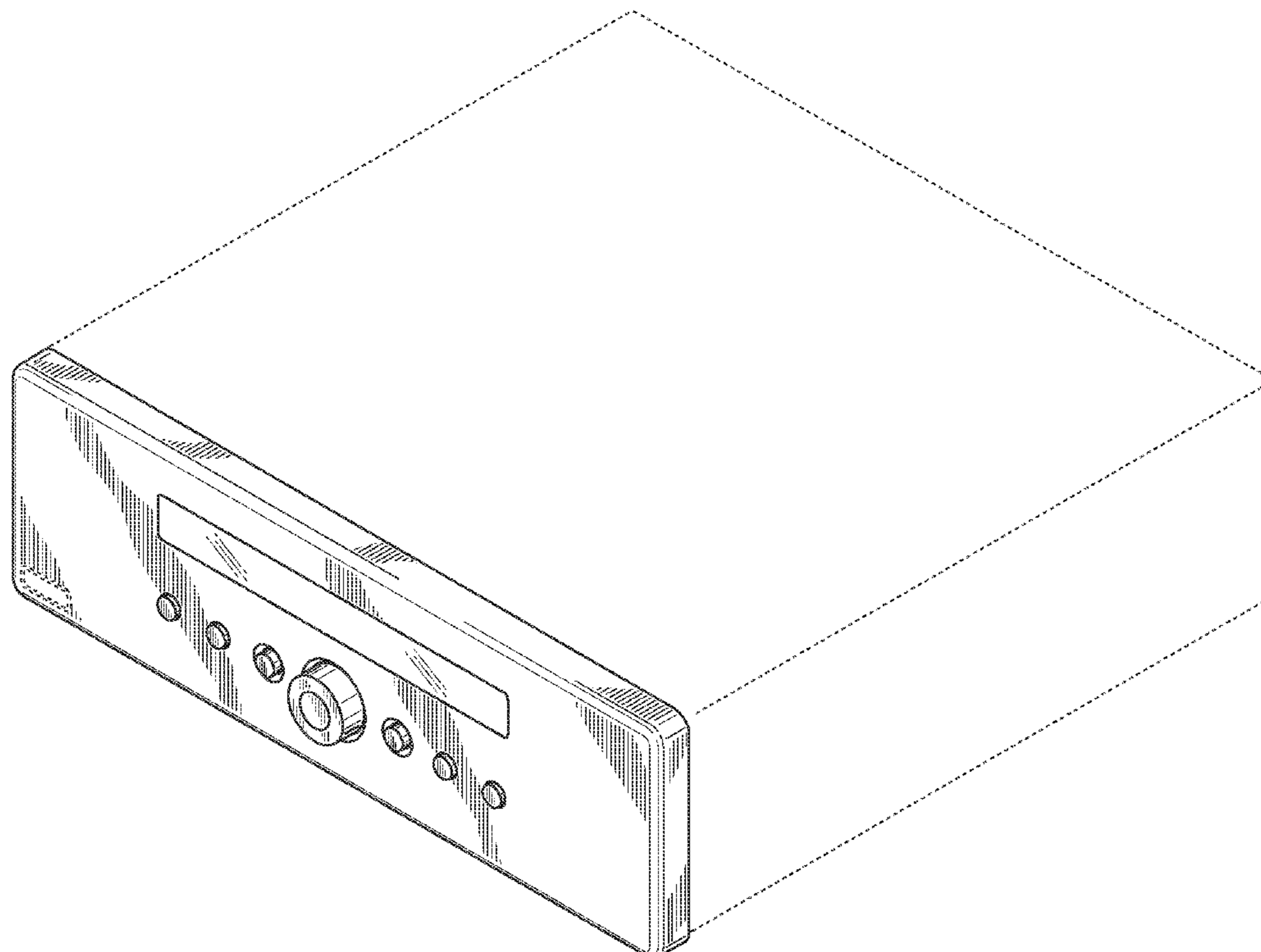
The broken lines depict unclaimed environmental subject matter.

(56) **References Cited**

U.S. PATENT DOCUMENTS

D462,951 S * 9/2002 Storti et al. D14/257

1 Claim, 3 Drawing Sheets



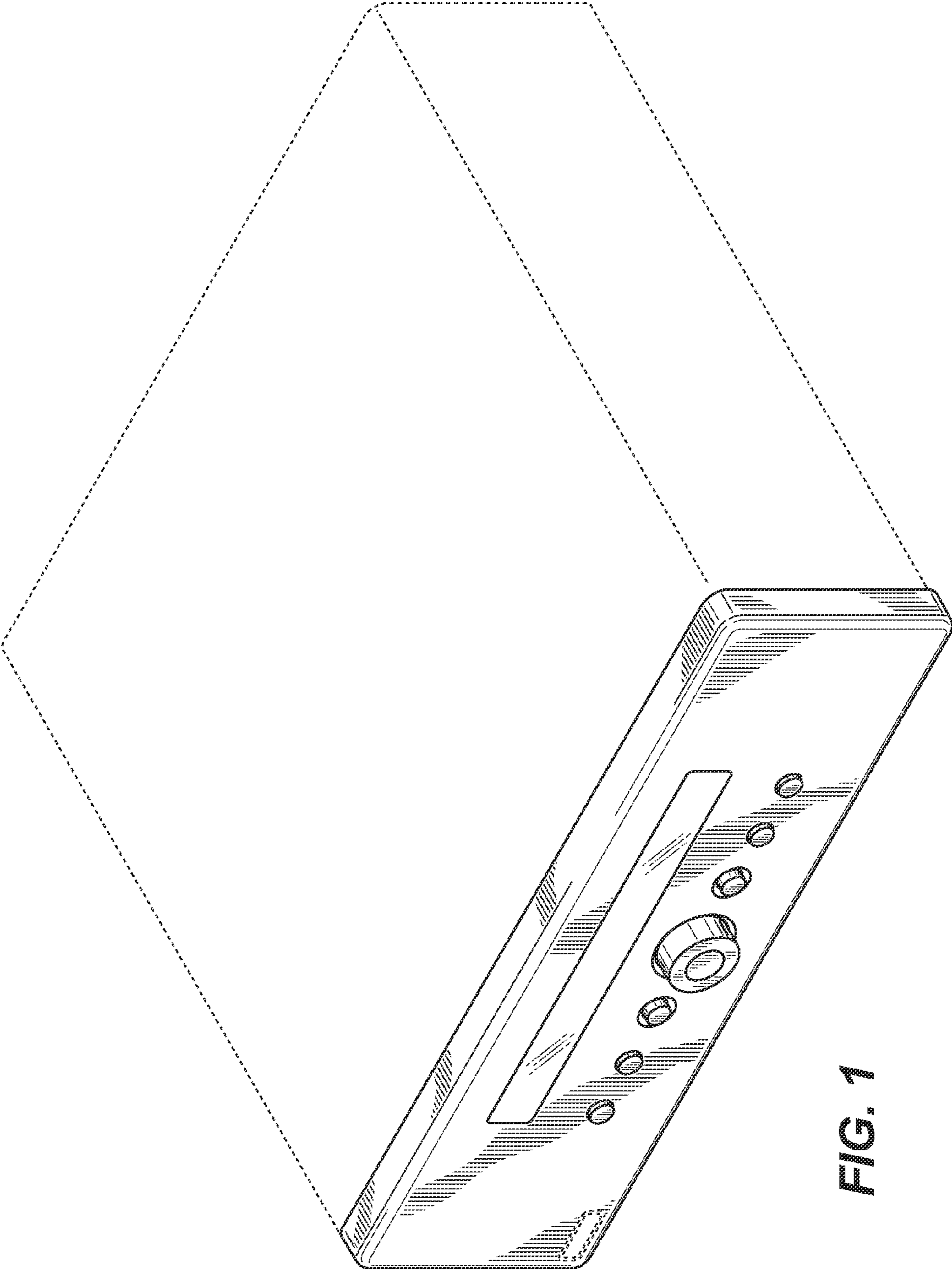


FIG. 1

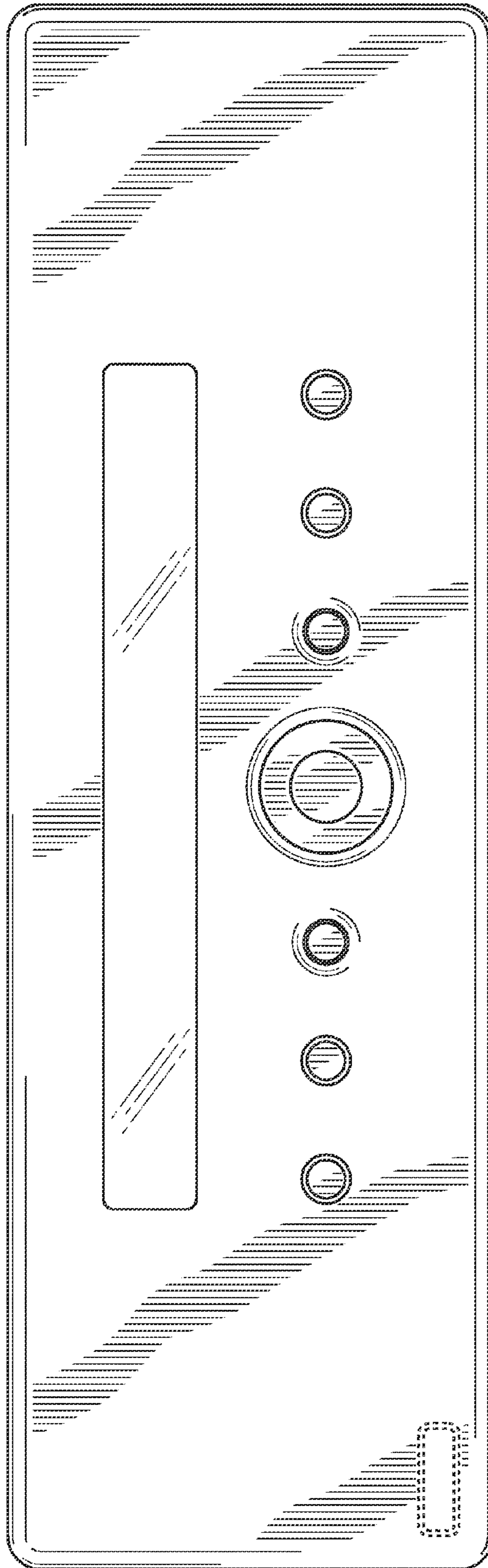


FIG. 2

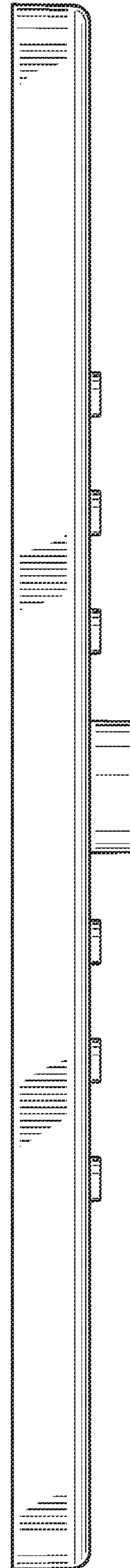


FIG. 3

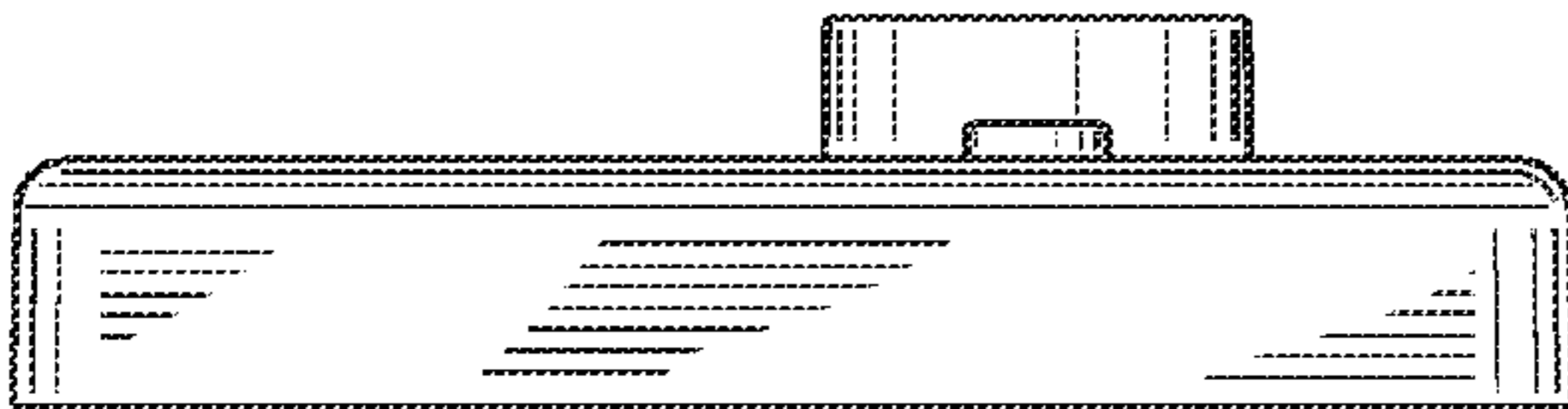


FIG. 4

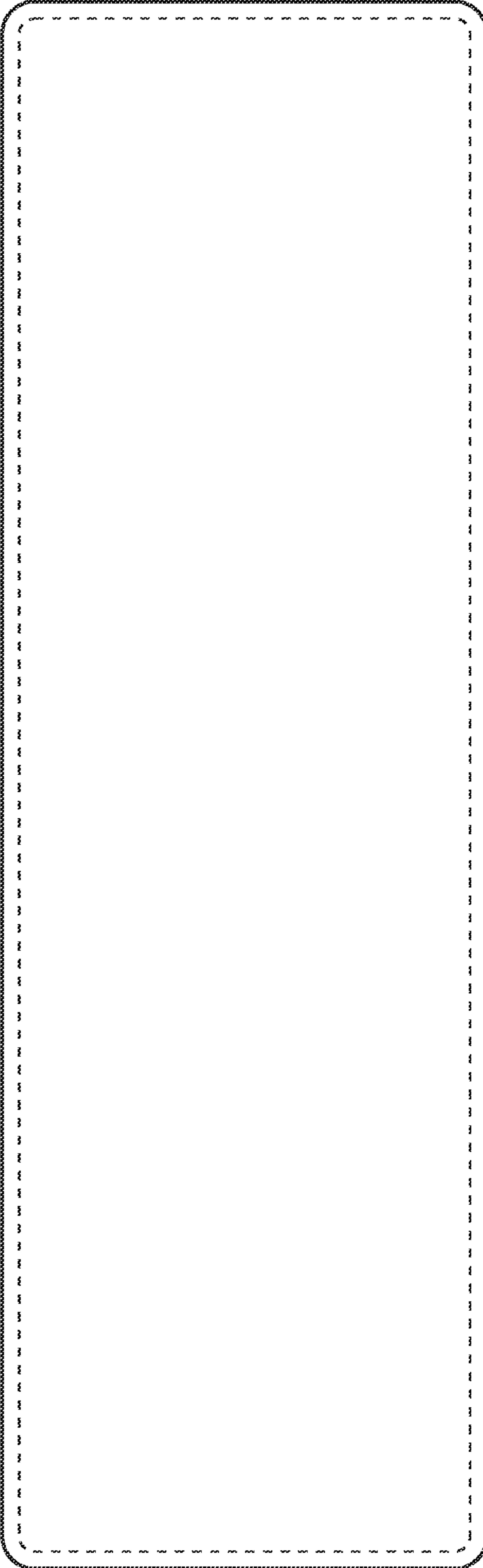


FIG. 5