

US00D557693S

(12) **United States Design Patent**  
**Kim et al.**

(10) **Patent No.:** **US D557,693 S**

(45) **Date of Patent:** **\*\* Dec. 18, 2007**

(54) **HOLDER FOR PORTABLE PHONE**

(75) Inventors: **Sung-Kwon Kim**, Gwangmyeong-si (KR); **Sang-Min Hyun**, Seoul (KR); **Chang-Soo Lee**, Incheon (KR)

(73) Assignee: **Samsung Electronics Co., Ltd.**, Suwon-Si (KR)

(\*\*) Term: **14 Years**

(21) Appl. No.: **29/259,854**

(22) Filed: **May 17, 2006**

(30) **Foreign Application Priority Data**

Dec. 2, 2005 (KR) ..... 30-2005-0040618

(51) **LOC (8) Cl.** ..... **14-03**

(52) **U.S. Cl.** ..... **D14/251; D13/108**

(58) **Field of Classification Search** ..... D14/149, D14/447, 251, 253; D13/107, 108; 191/12.2 R, 191/12.4, 12 R, 12.2 A; 379/446, 455; 320/114, 320/115

See application file for complete search history.

(56) **References Cited**

**U.S. PATENT DOCUMENTS**

D323,504 S \* 1/1992 Langton ..... D14/142  
5,946,637 A \* 8/1999 Umbach et al. .... 455/573  
D442,141 S \* 5/2001 Ikenaga ..... D13/107

D460,431 S \* 7/2002 Narita ..... D14/149  
6,483,698 B1 \* 11/2002 Loh ..... 361/686  
D472,900 S \* 4/2003 Matsumoto ..... D14/447  
D503,700 S \* 4/2005 Mamero ..... D14/149  
6,926,130 B2 \* 8/2005 Skowronski ..... 191/12.2 R

\* cited by examiner

*Primary Examiner*—Terry A. Wallace

(74) *Attorney, Agent, or Firm*—Staas & Halsey LLP

(57) **CLAIM**

The ornamental design for the holder for portable phone, as shown and described.

**DESCRIPTION**

FIG. 1 is a perspective view of the holder for portable phone showing our design;

FIG. 2 is a front view thereof;

FIG. 3 is a rear view thereof;

FIG. 4 is a left side view thereof;

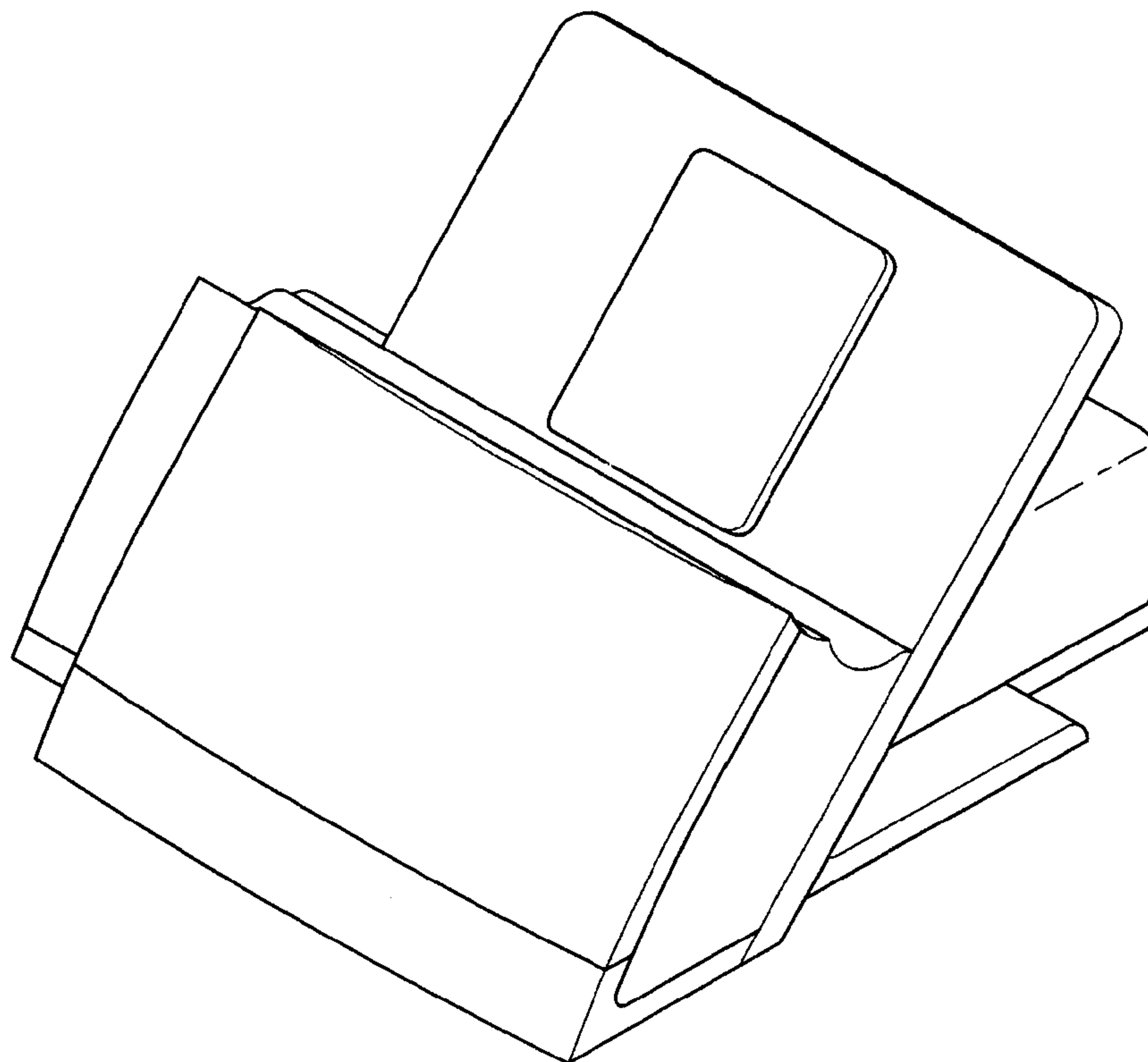
FIG. 5 is a right side view thereof;

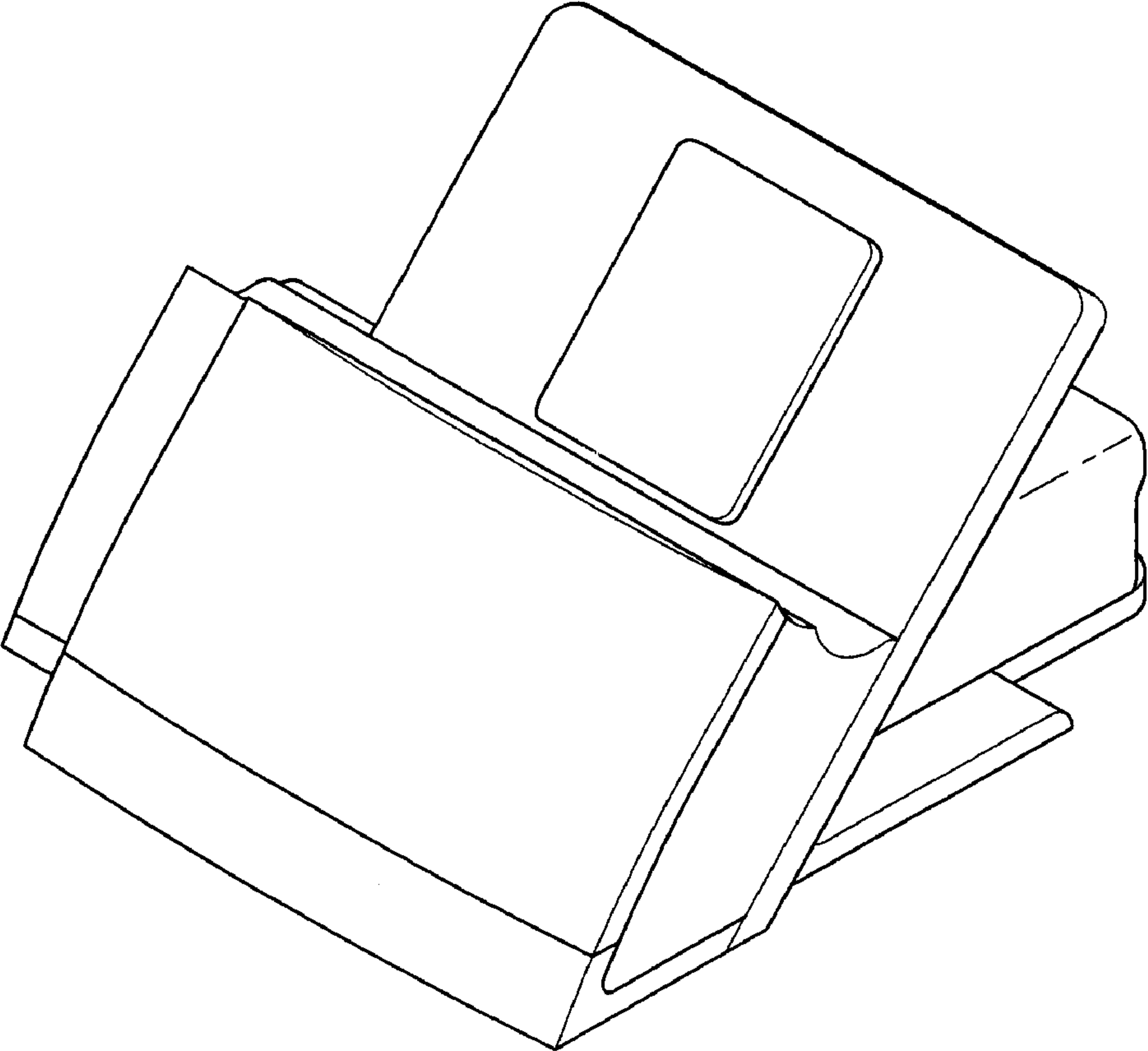
FIG. 6 is a top plan view thereof;

FIG. 7 is a bottom plan view thereof; and,

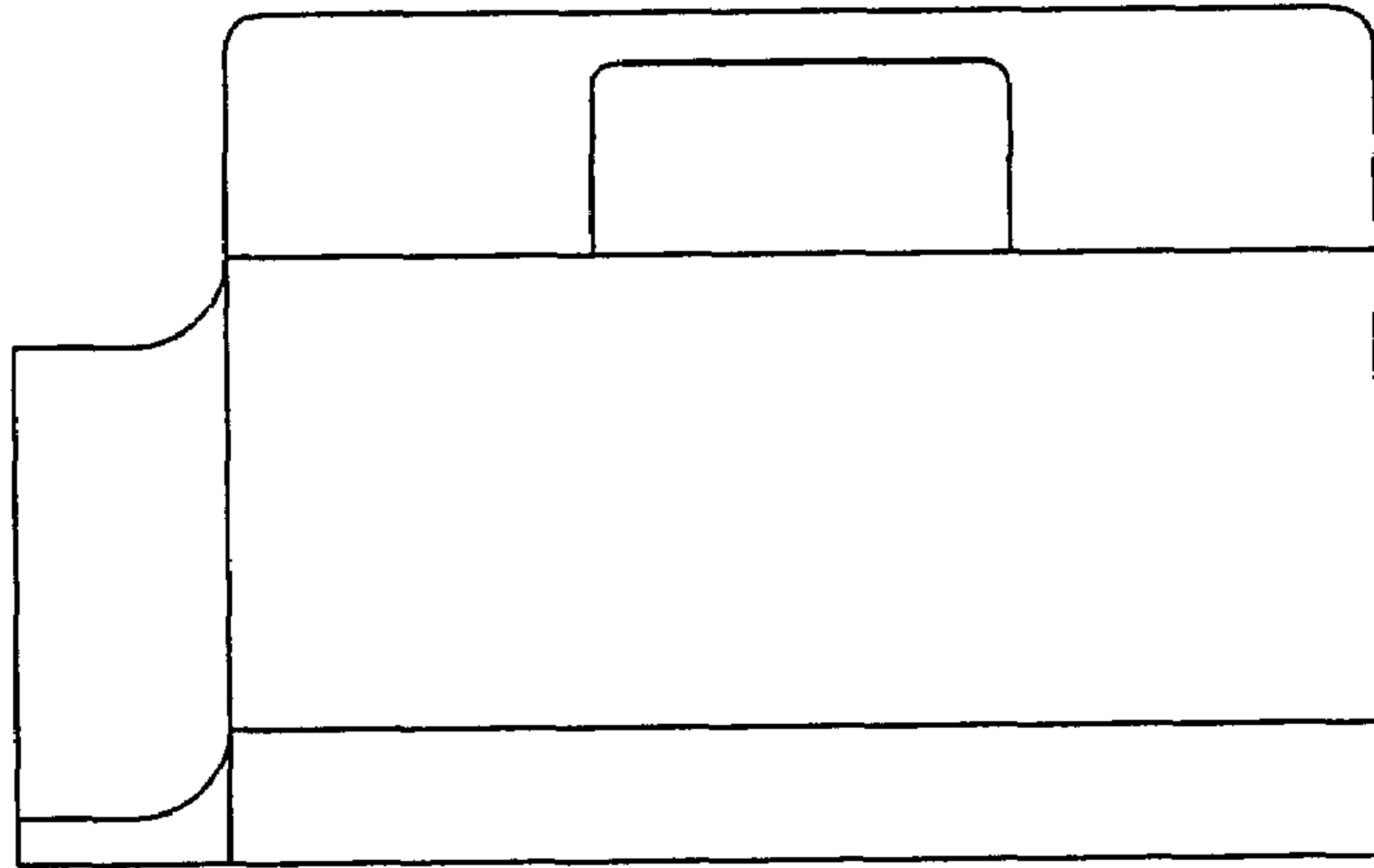
FIG. 8 is a perspective view thereof with the phone shown in broken lines for illustrative purposes only and not part of the claimed design.

**1 Claim, 5 Drawing Sheets**

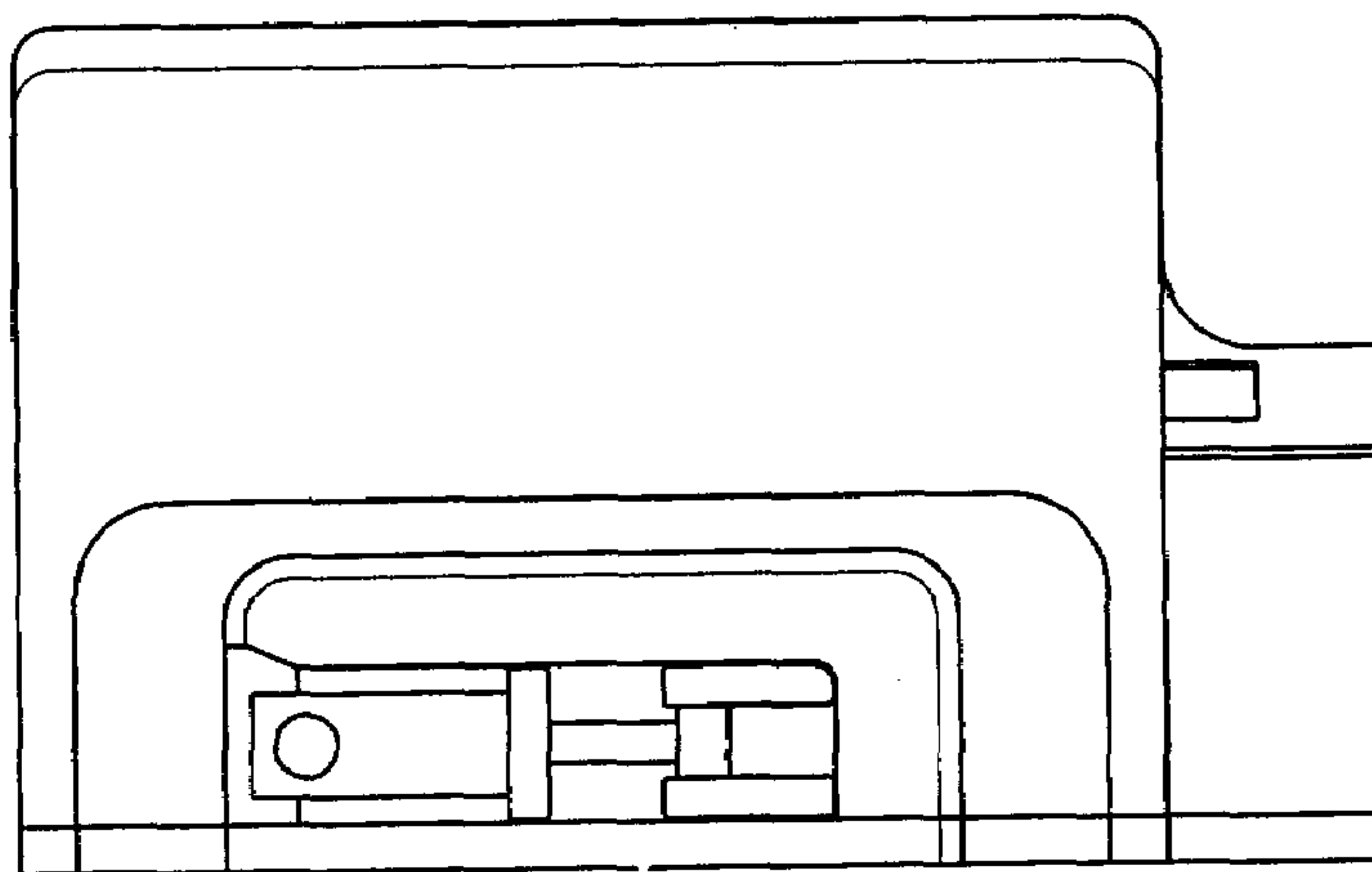




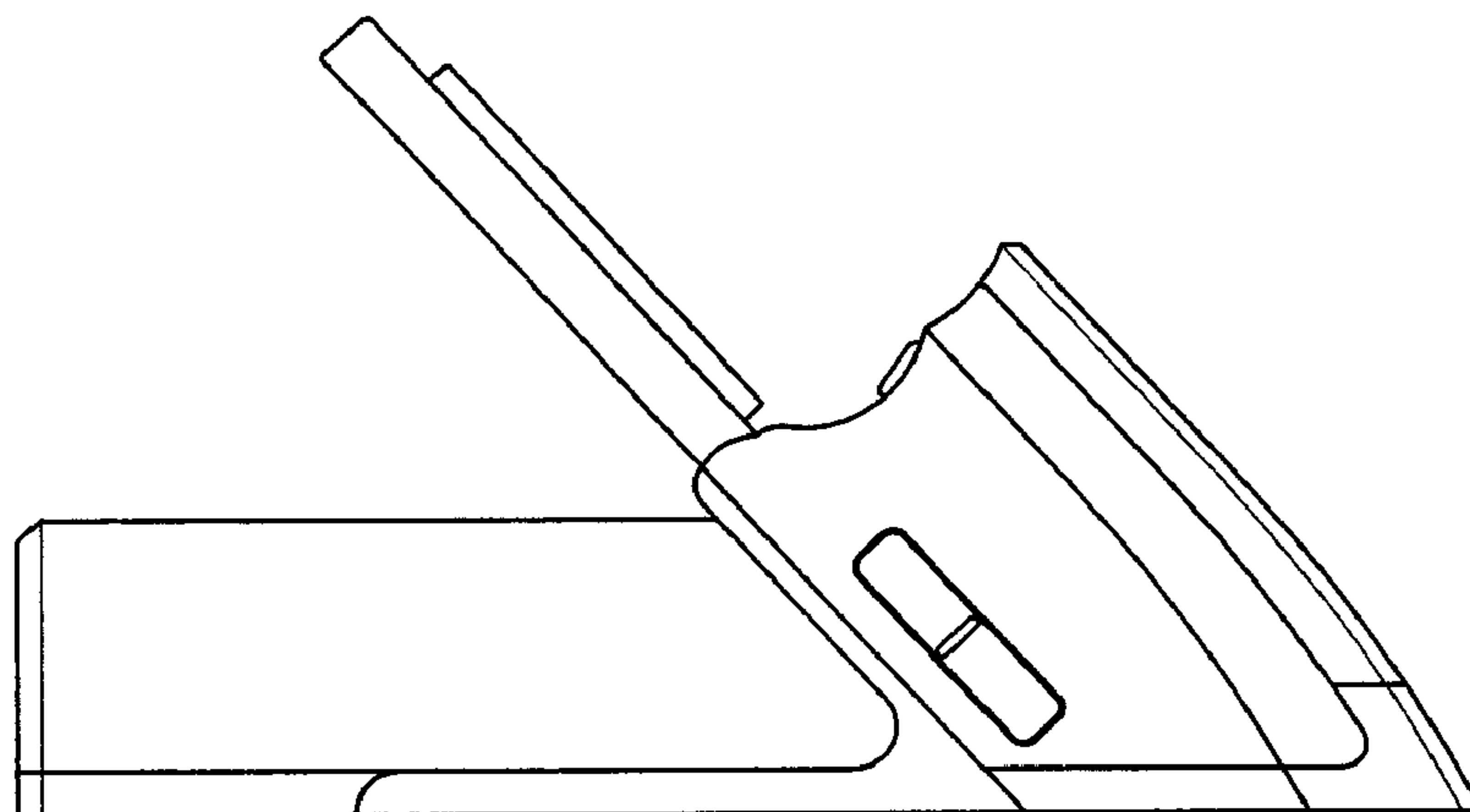
**FIGURE 1**



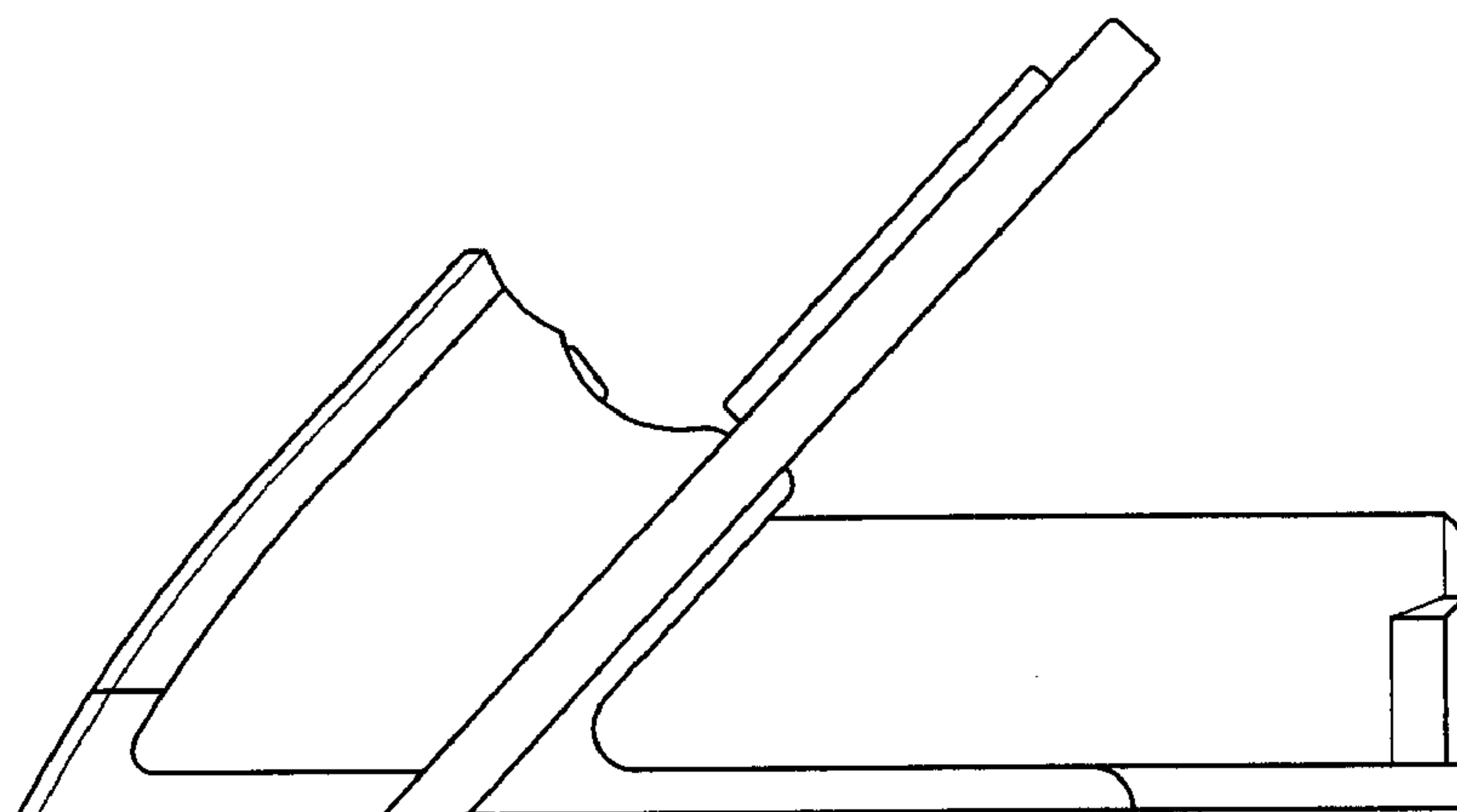
**FIGURE 2**



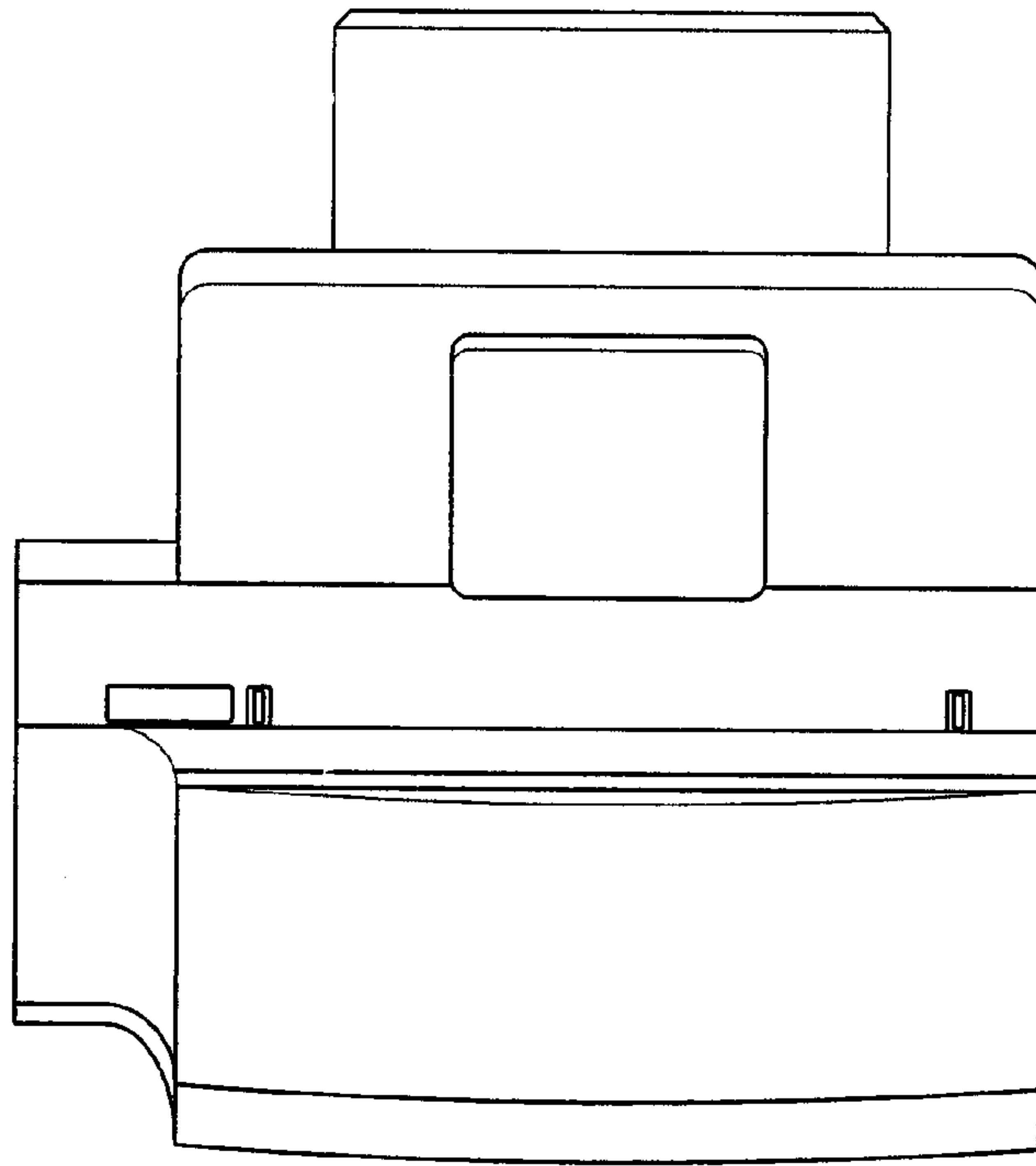
**FIGURE 3**



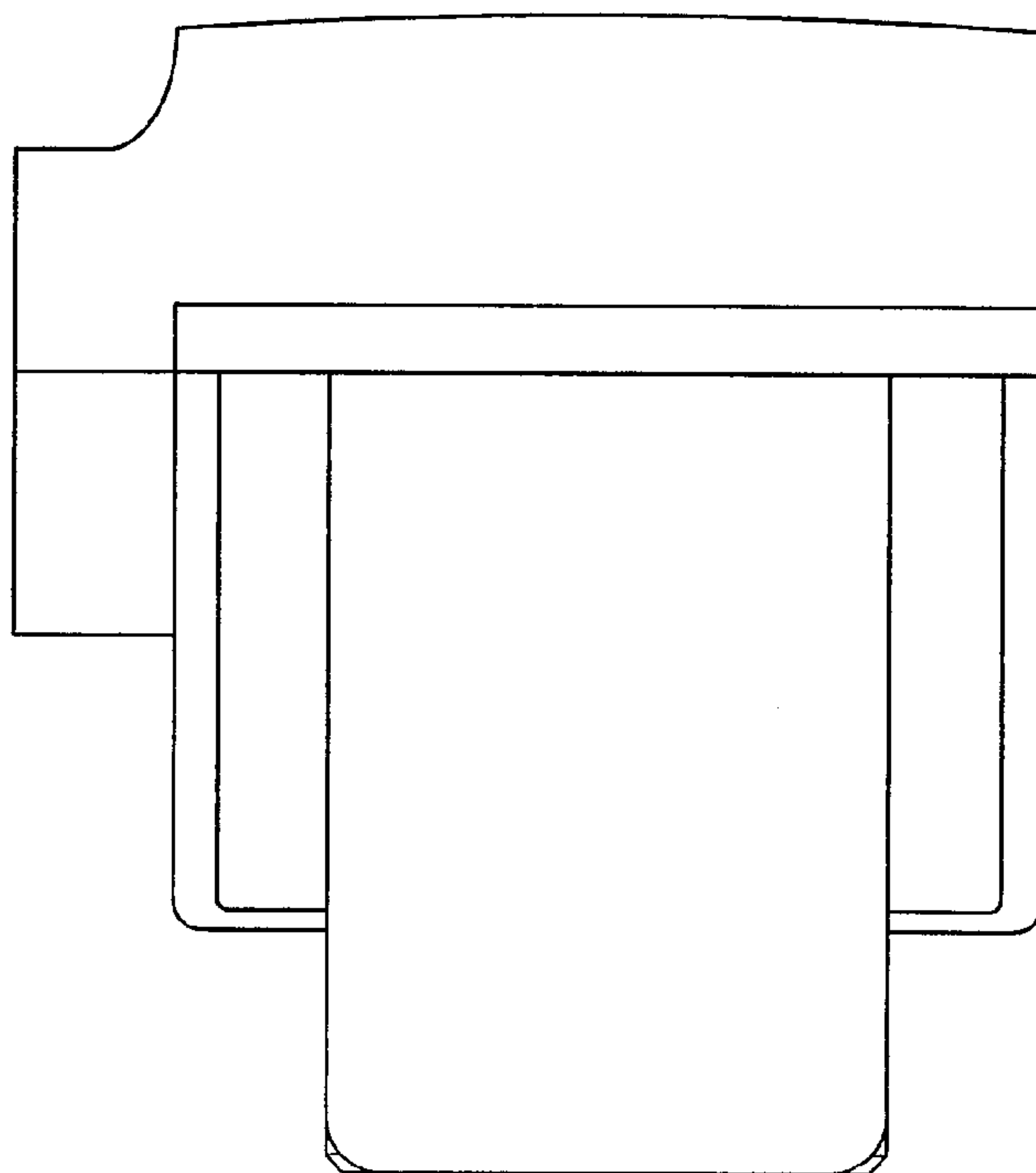
**FIGURE 4**



**FIGURE 5**



**FIGURE 6**



**FIGURE 7**

FIG. 8

