



US00D557688S

(12) **United States Design Patent**
Lee

(10) **Patent No.:** **US D557,688 S**
(45) **Date of Patent:** **** Dec. 18, 2007**

(54) **HEAD FOR EARPHONE**

(75) Inventor: **Jong Bae Lee**, Seoul (KR)

(73) Assignee: **Cresyn Co., Ltd.**, Seoul (KR)

(**) Term: **14 Years**

(21) Appl. No.: **29/248,682**

(22) Filed: **Aug. 28, 2006**

(51) **LOC (8) Cl.** **14-01**

(52) **U.S. Cl.** **D14/223**

(58) **Field of Classification Search** D14/205,
D14/206, 223, 188, 192, 240; D24/174;
379/430, 433; 181/128, 129, 130; 381/330,
381/370, 371, 374, 375, 376, 377, 378, 380;
455/351

See application file for complete search history.

(56) **References Cited**

U.S. PATENT DOCUMENTS

D460,749 S *	7/2002	Liu	D14/206
D510,085 S *	9/2005	Suzuki	D14/223
D538,270 S *	3/2007	Kim et al.	D14/223
D543,972 S *	6/2007	Taylor	D14/223

* cited by examiner

Primary Examiner—Paula A. Greene

(74) *Attorney, Agent, or Firm*—Madson & Austin

(57) **CLAIM**

The ornamental design for a head for earphone, as shown and described.

DESCRIPTION

A head is connected to an opposite direction of a cord connected to a plug. A canal part thereof is put into one's ear-hole to listen an audio.

A turning-moveable swing arm axially installed in a body of the head is push or pull into the side face to control a degree of angle. A swing bushing axially installed in the free side of swing arm supports a crooked ear-cleat and is turning moveable into before and behind of the side face. The cord goes to the behind of ears.

FIG. 1 is a perspective view of a head for earphone showing my new design;

FIG. 2 is a front elevational view thereof;

FIG. 3 is a rear elevational view thereof;

FIG. 4 is a left side elevational view thereof;

FIG. 5 is a right side elevational view thereof;

FIG. 6 is a top plan view thereof;

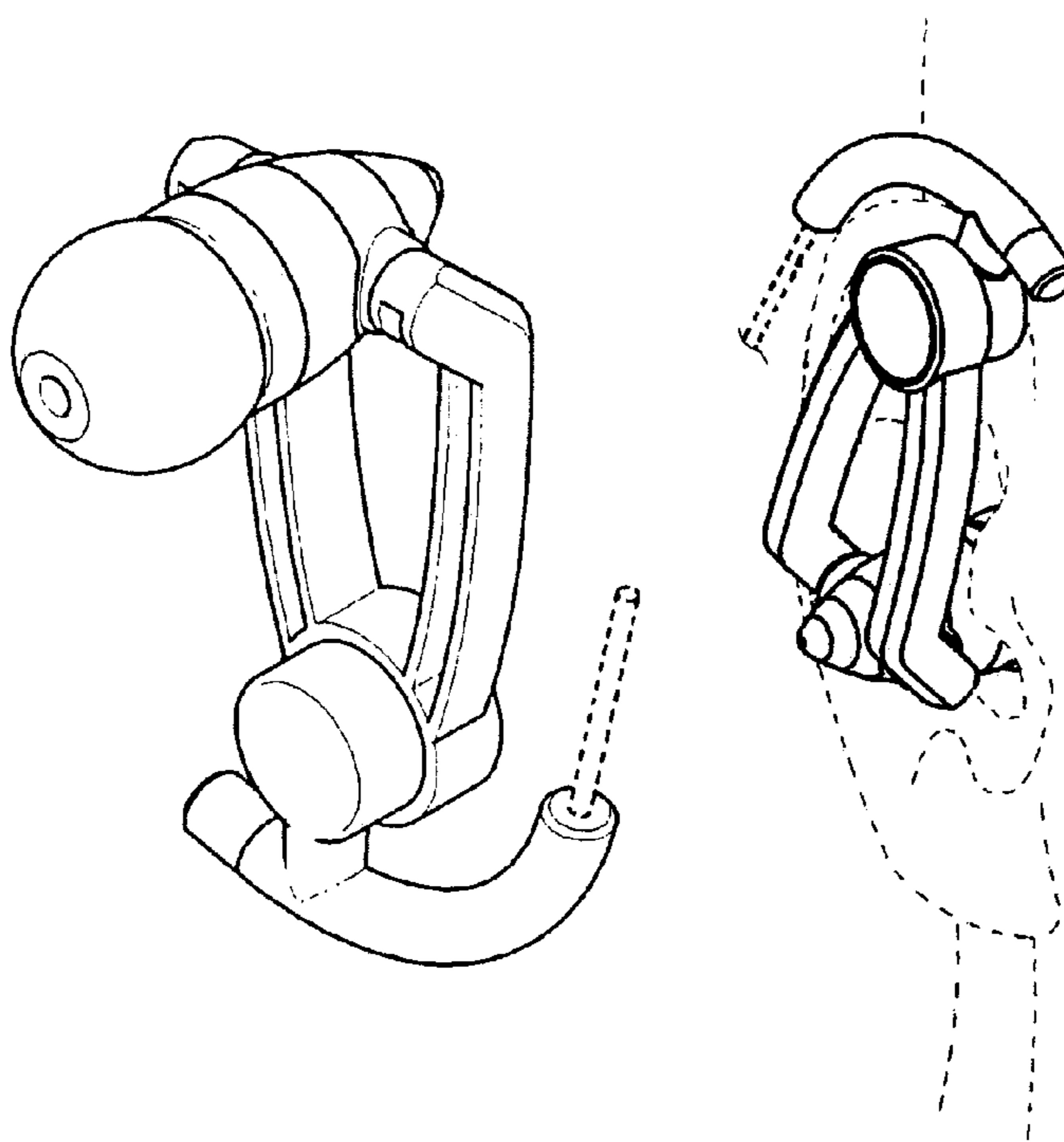
FIG. 7 is a bottom plan view thereof;

FIG. 8 is a rear perspective view thereof; and,

FIG. 9 is a perspective view for illustrating an using state of the head for earphone.

The broken lines are for illustrative purposes only and form no part of the claimed design.

1 Claim, 5 Drawing Sheets



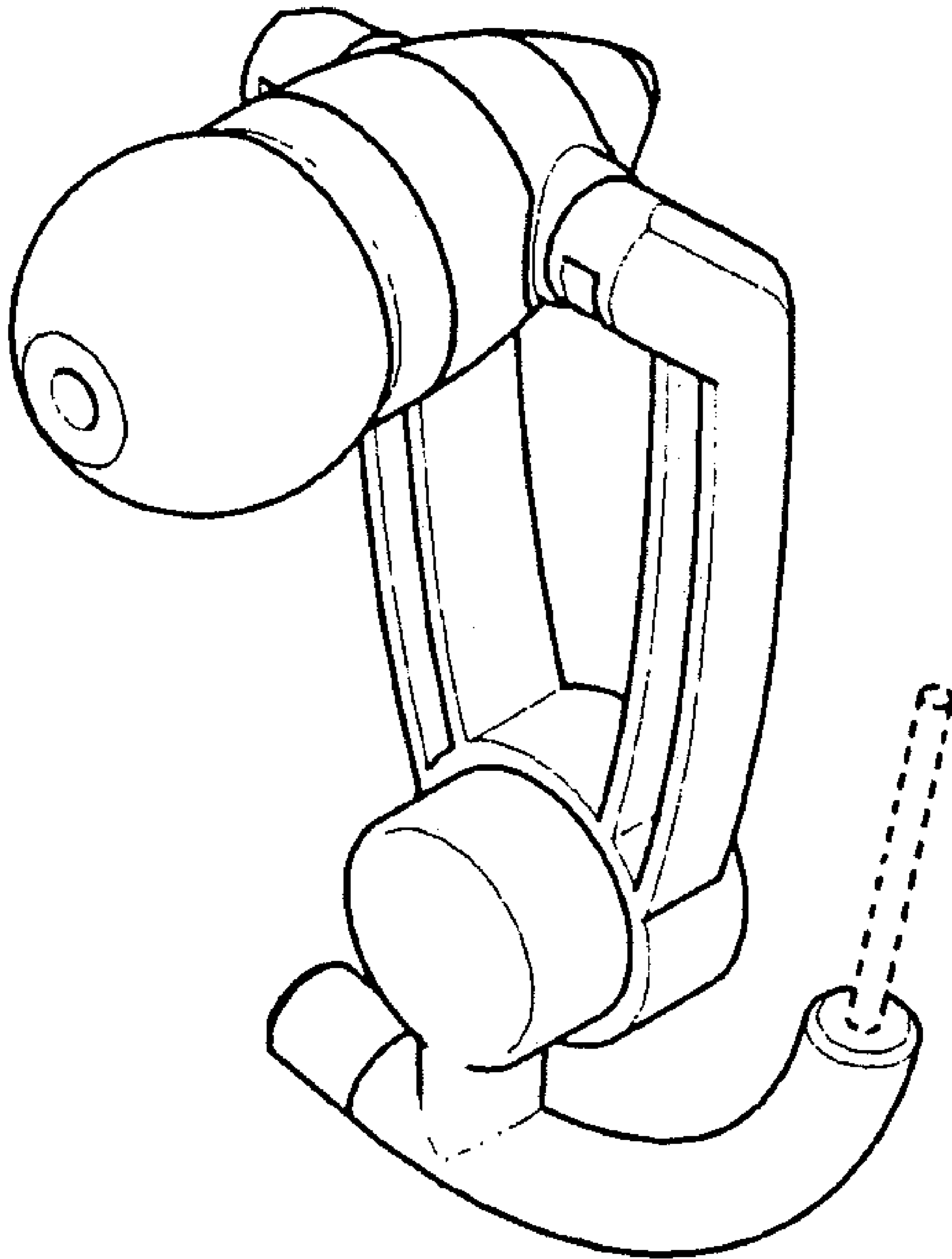


FIG. 1

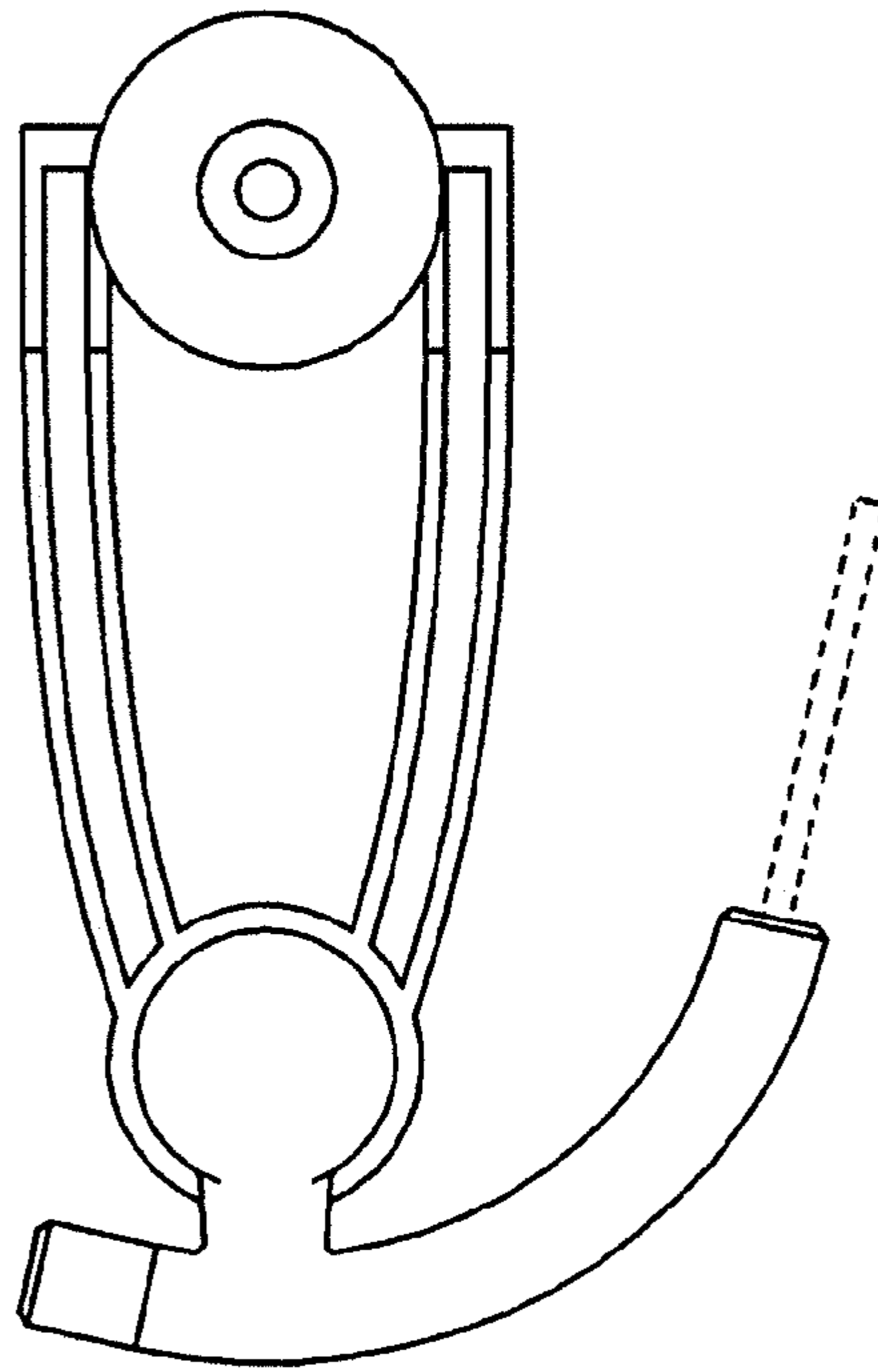


FIG. 2

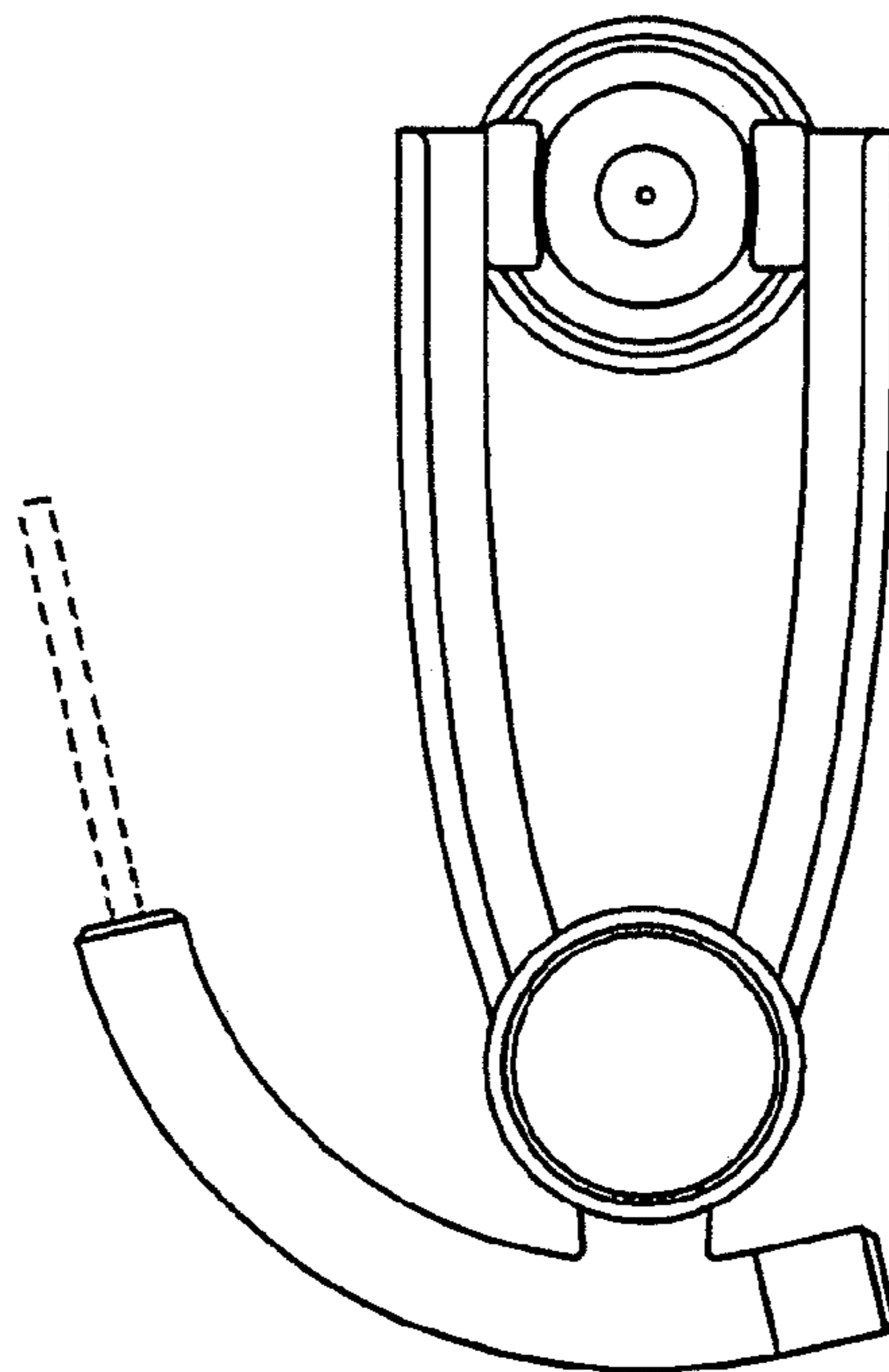


FIG. 3

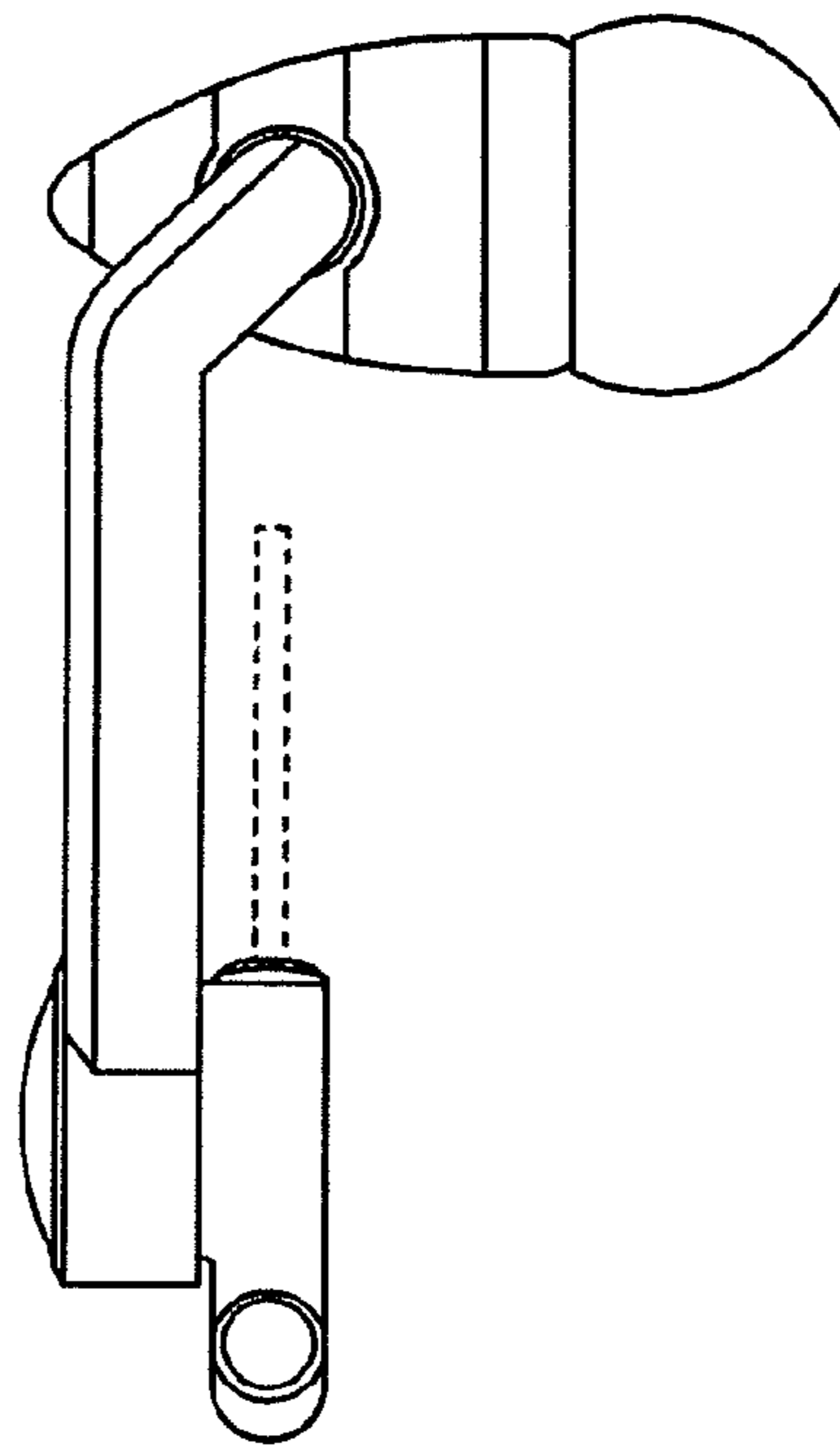


FIG. 4

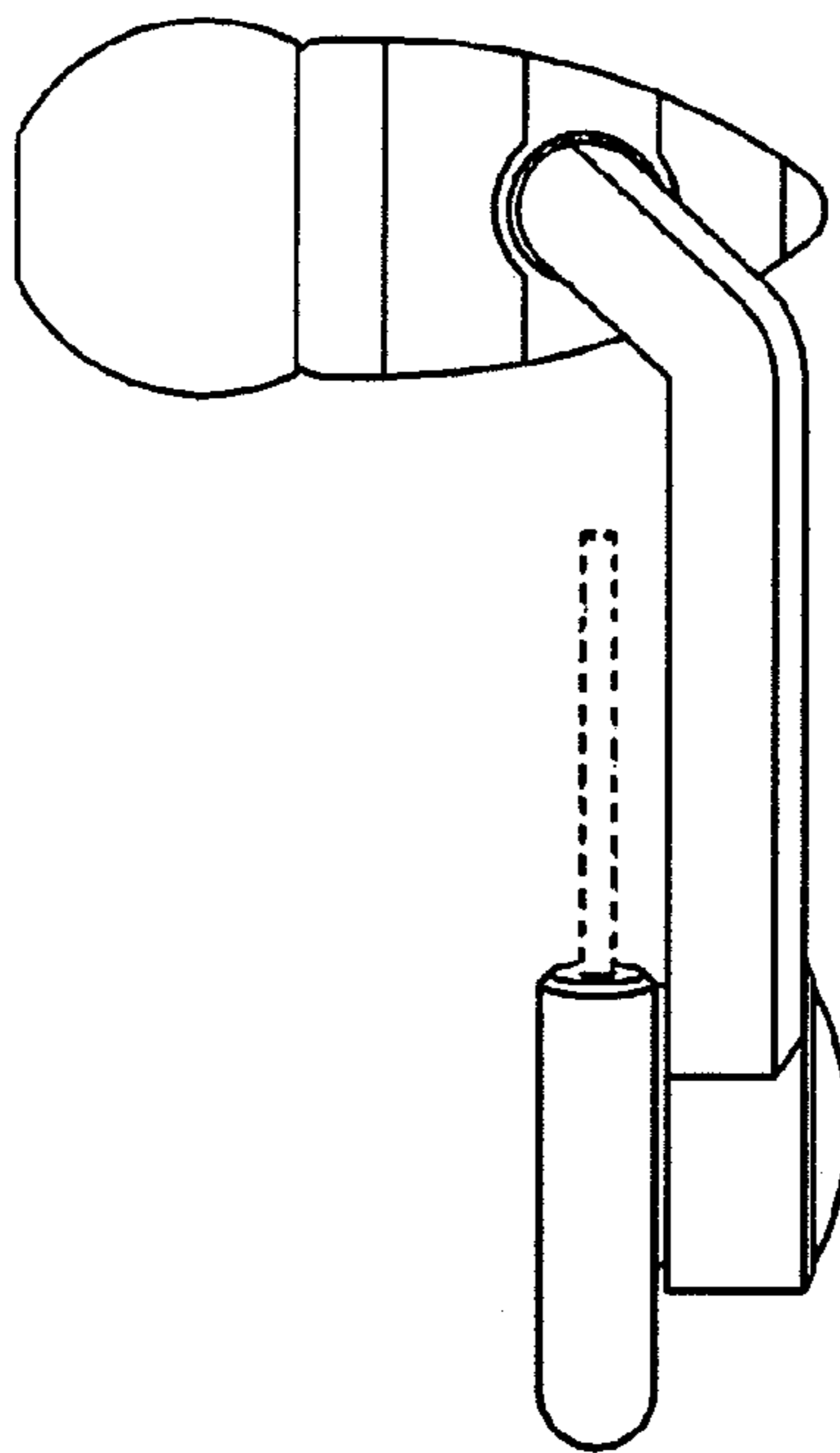


FIG. 5

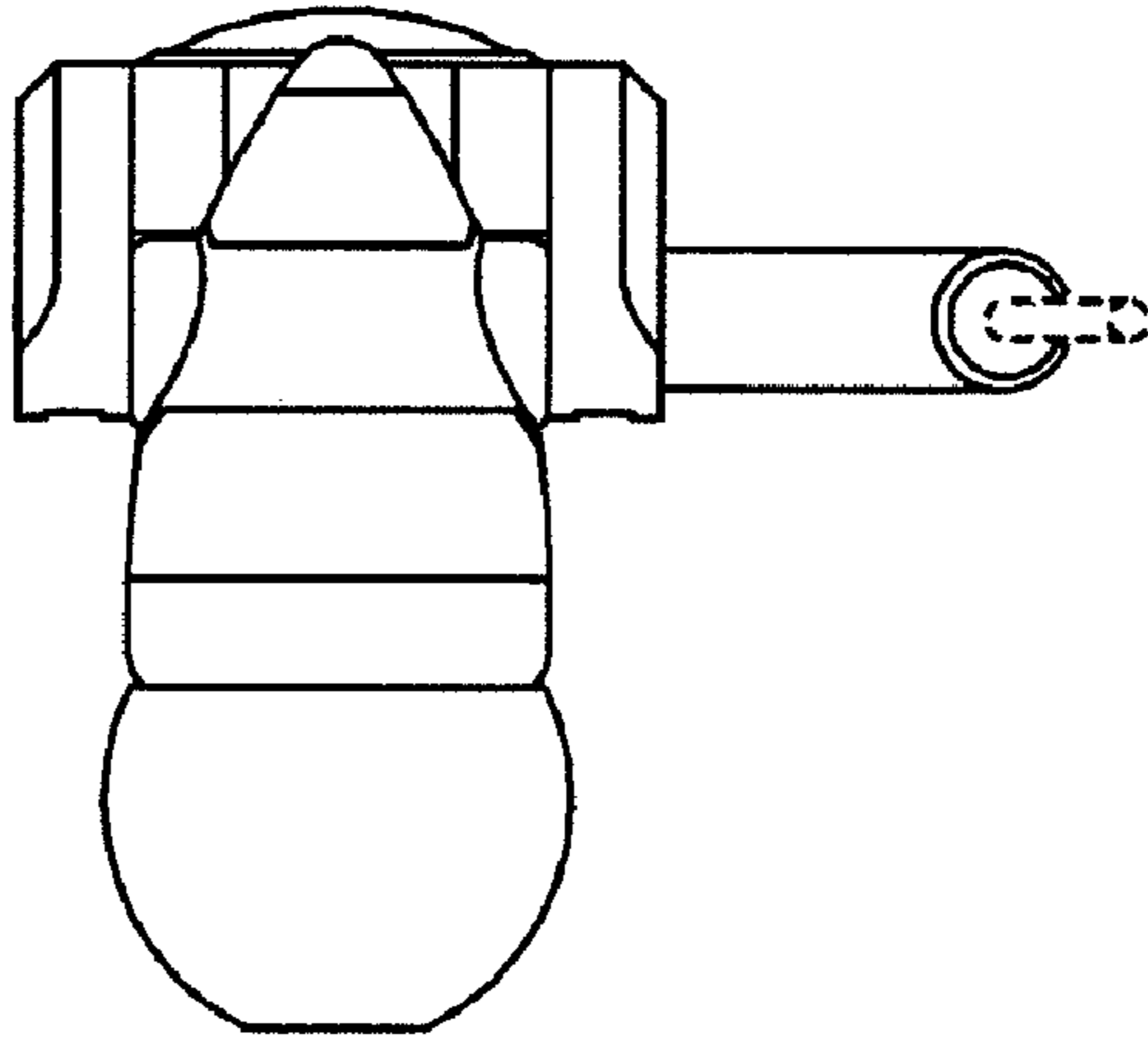


FIG. 6

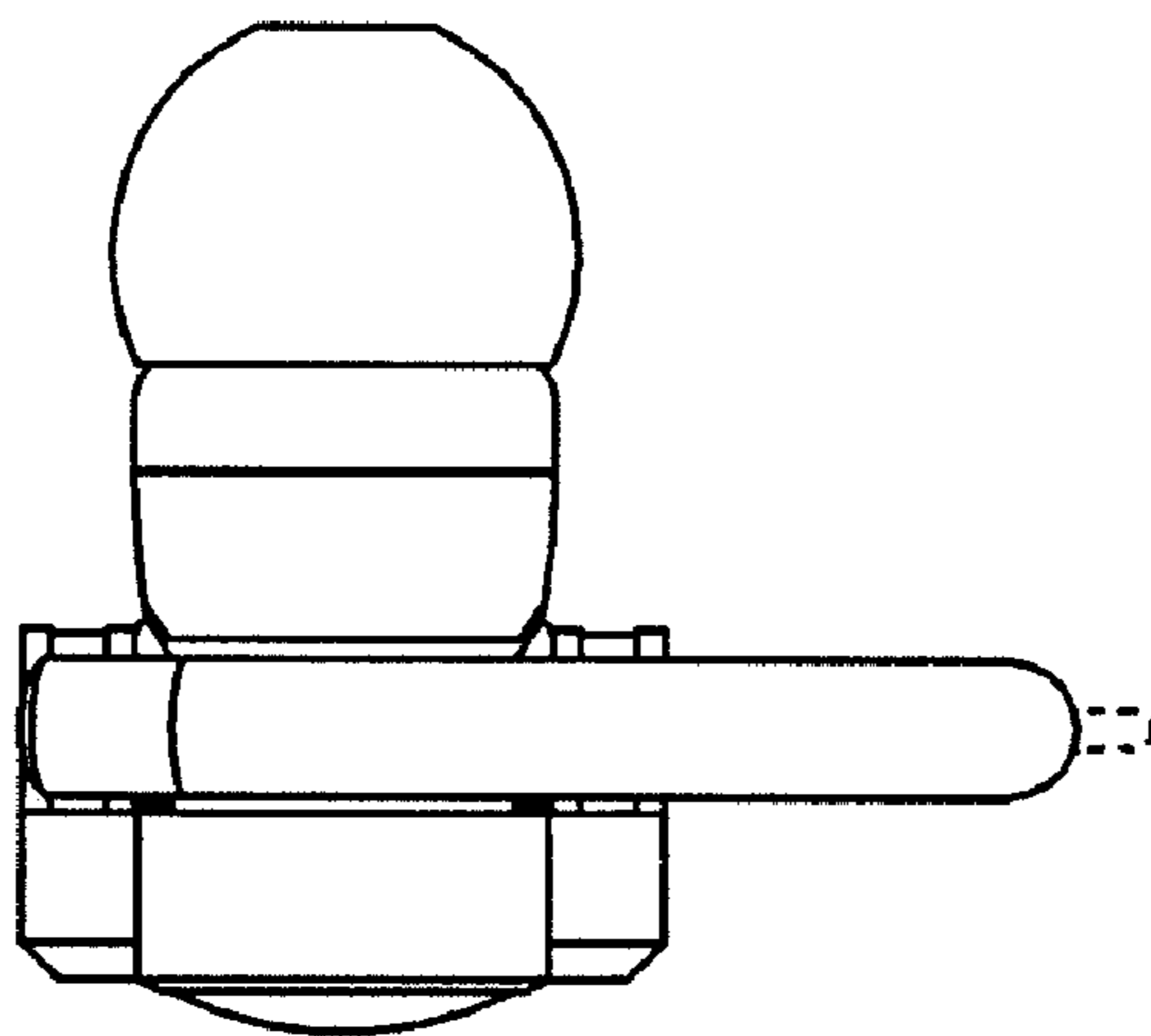


FIG. 7

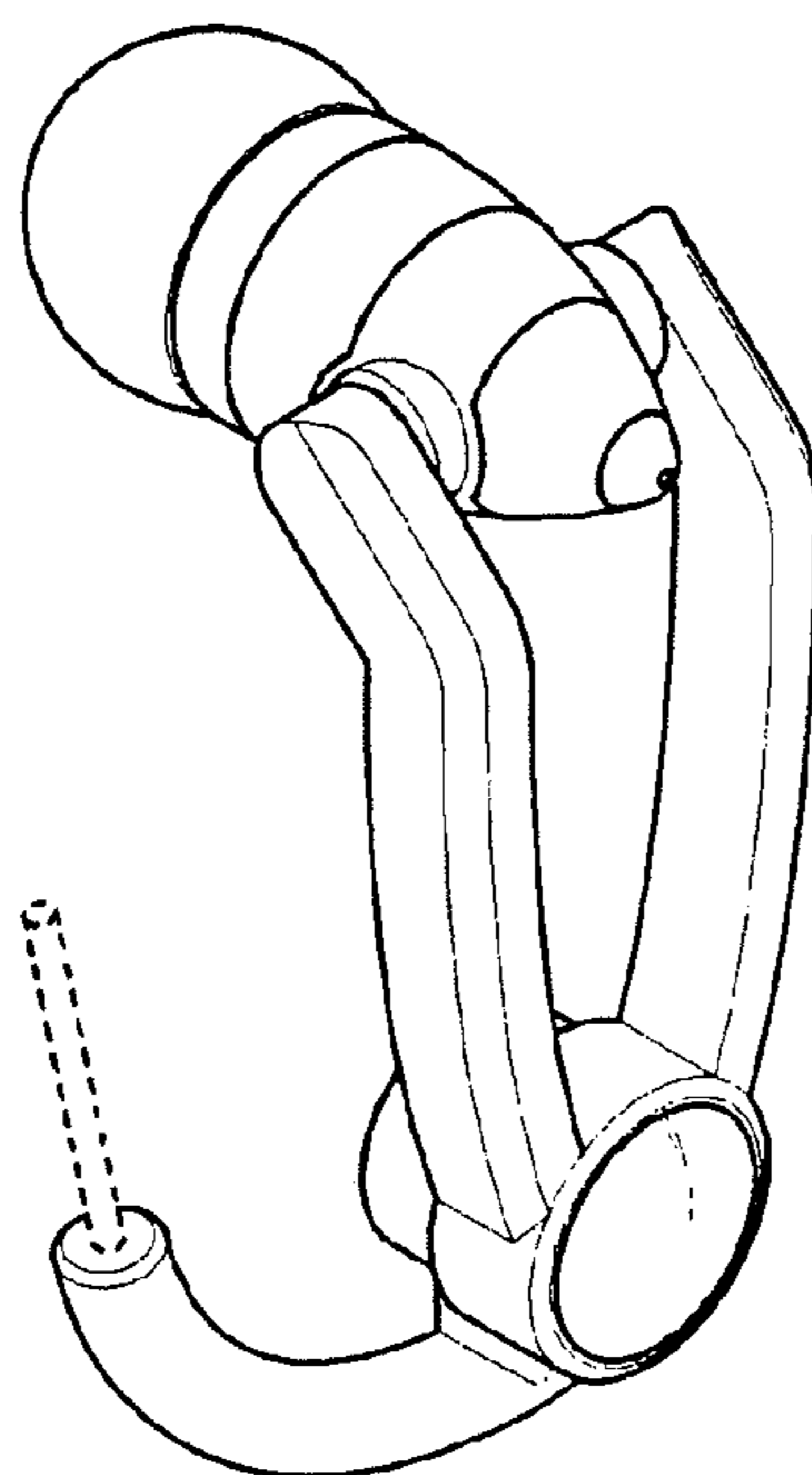


FIG. 8

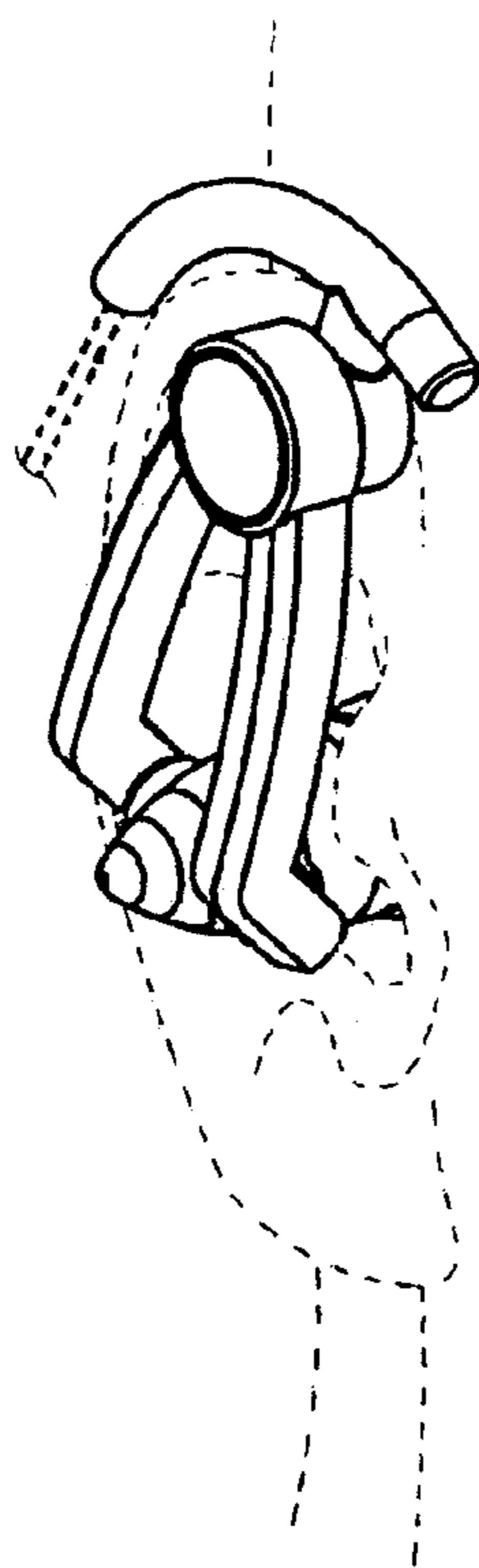


FIG. 9