

US00D557686S

(12) **United States Design Patent**
Tse

(10) **Patent No.:** **US D557,686 S**

(45) **Date of Patent:** **** Dec. 18, 2007**

(54) **SPEAKER**

(75) Inventor: **Kin Man Tse**, Kwai Chung (CN)

(73) Assignee: **Plastofom Industries Ltd**, Kwai Chung, New Territories, Hong Kong (CN)

(**) Term: **14 Years**

(21) Appl. No.: **29/268,397**

(22) Filed: **Nov. 6, 2006**

(30) **Foreign Application Priority Data**

May 8, 2006 (HK) 0601228

(51) **LOC (8) Cl.** **14-01**

(52) **U.S. Cl.** **D14/214**

(58) **Field of Classification Search** D14/204,
D14/209-215; 181/143-144, 147-148, 150,
181/157, 198-199, 151, 153; 381/300-302,
381/306, 333, 345, 361-364, 386-388, 332,
381/336

See application file for complete search history.

(56) **References Cited**

U.S. PATENT DOCUMENTS

4,388,492 A * 6/1983 Sato 381/335
D359,492 S * 6/1995 Dyas D14/214

D440,556 S * 4/2001 Kobayashi et al. D14/215
D530,310 S * 10/2006 Tsai D14/214

* cited by examiner

Primary Examiner—Nanda Bondade

(74) *Attorney, Agent, or Firm*—Alix, Yale & Ristas, LLP

(57) **CLAIM**

The ornamental design for a speaker, as shown and described.

DESCRIPTION

FIG. 1 is a front, right side and top perspective view of a speaker showing my new design;

FIG. 2 is a rear, right side and top perspective view thereof;

FIG. 3 is a front elevational view thereof;

FIG. 4 is a rear elevational thereof;

FIG. 5 is a right side elevational view thereof;

FIG. 6 is a left side elevational view thereof;

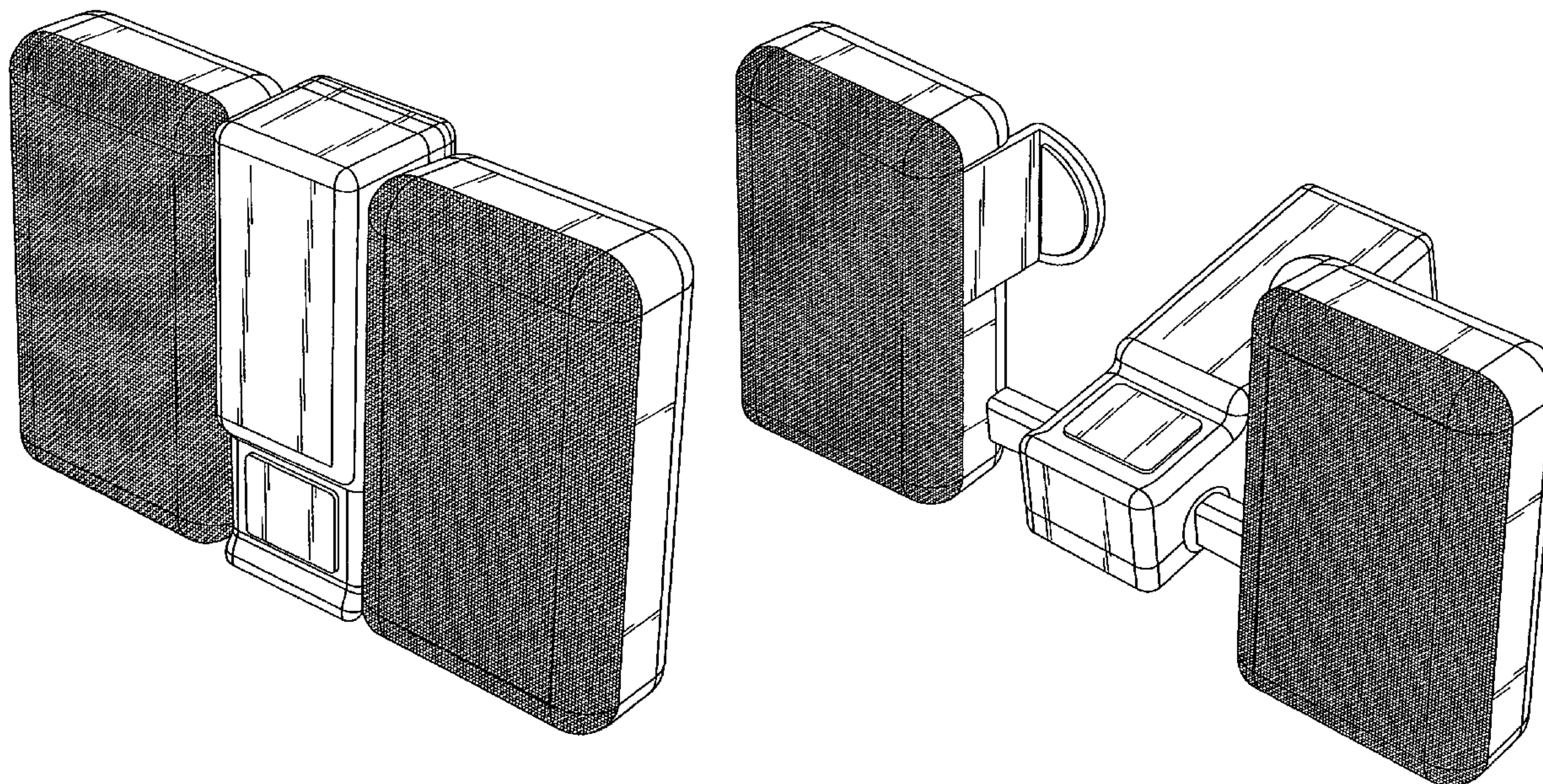
FIG. 7 is a top plan view thereof;

FIG. 8 is a bottom plan view thereof;

FIG. 9 is a front, right side and top perspective view thereof in an operating condition; and,

FIG. 10 is a rear, right side and top perspective view thereof in an operating condition.

1 Claim, 8 Drawing Sheets



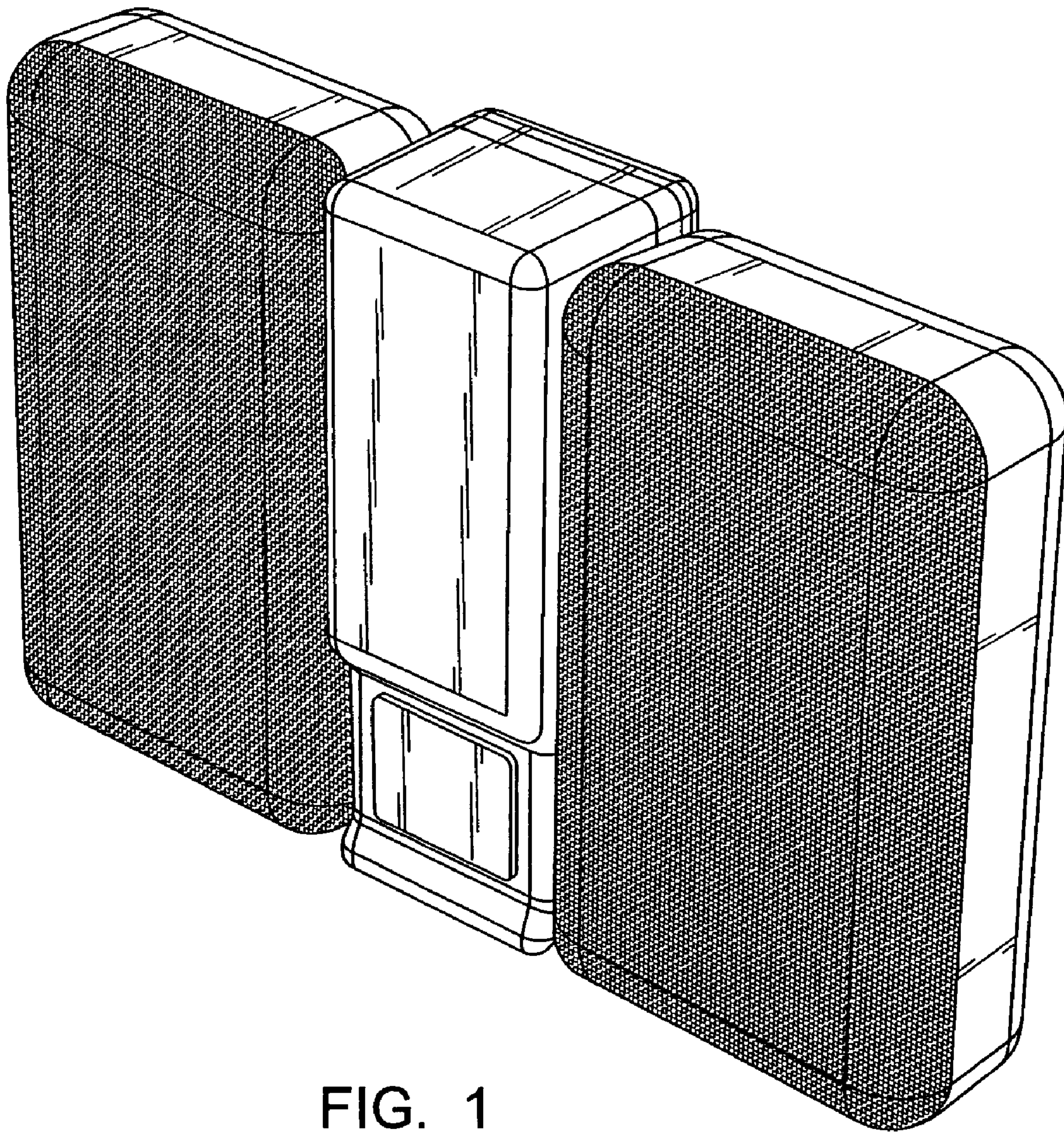


FIG. 1

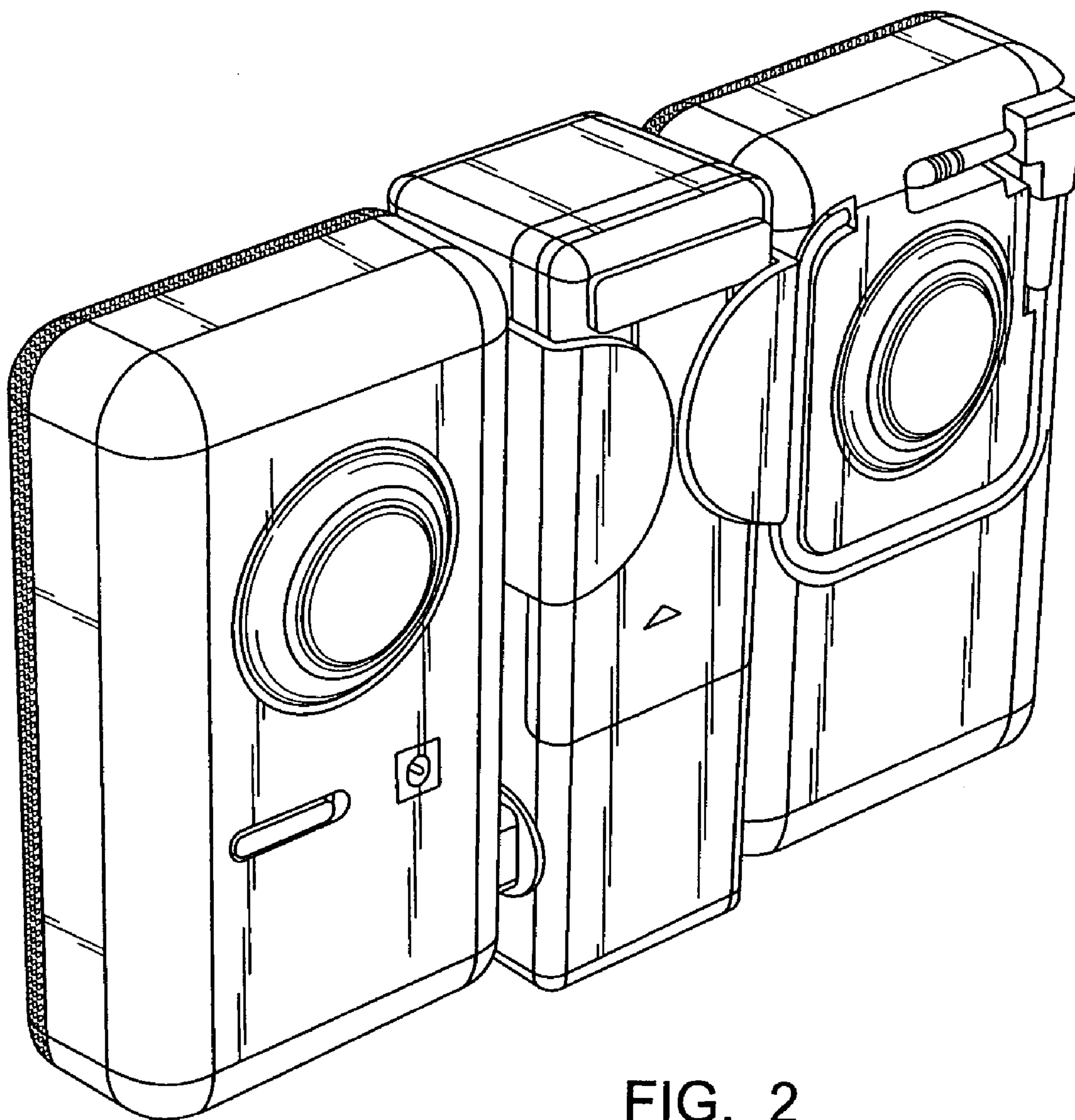


FIG. 2

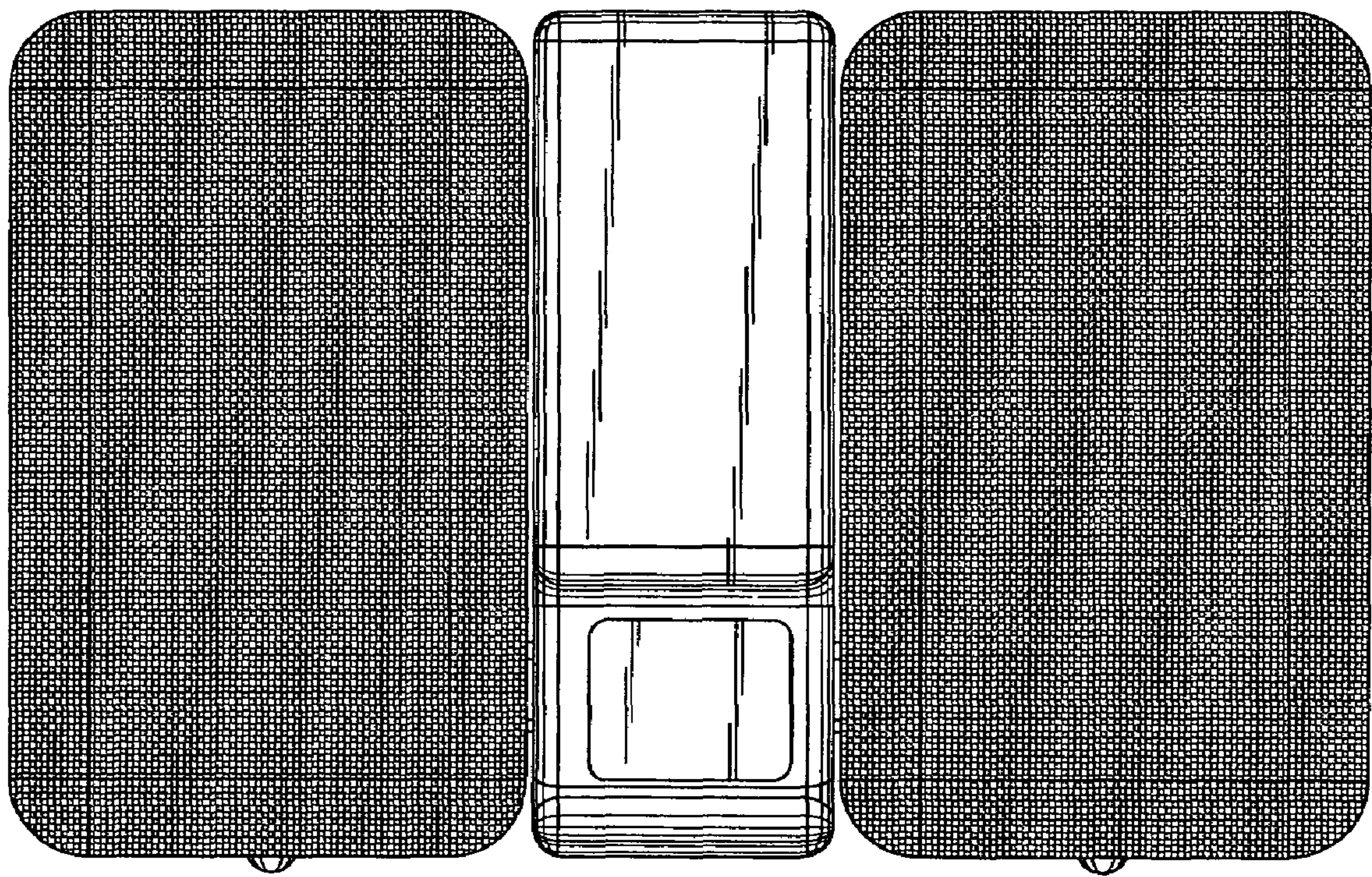


FIG. 3

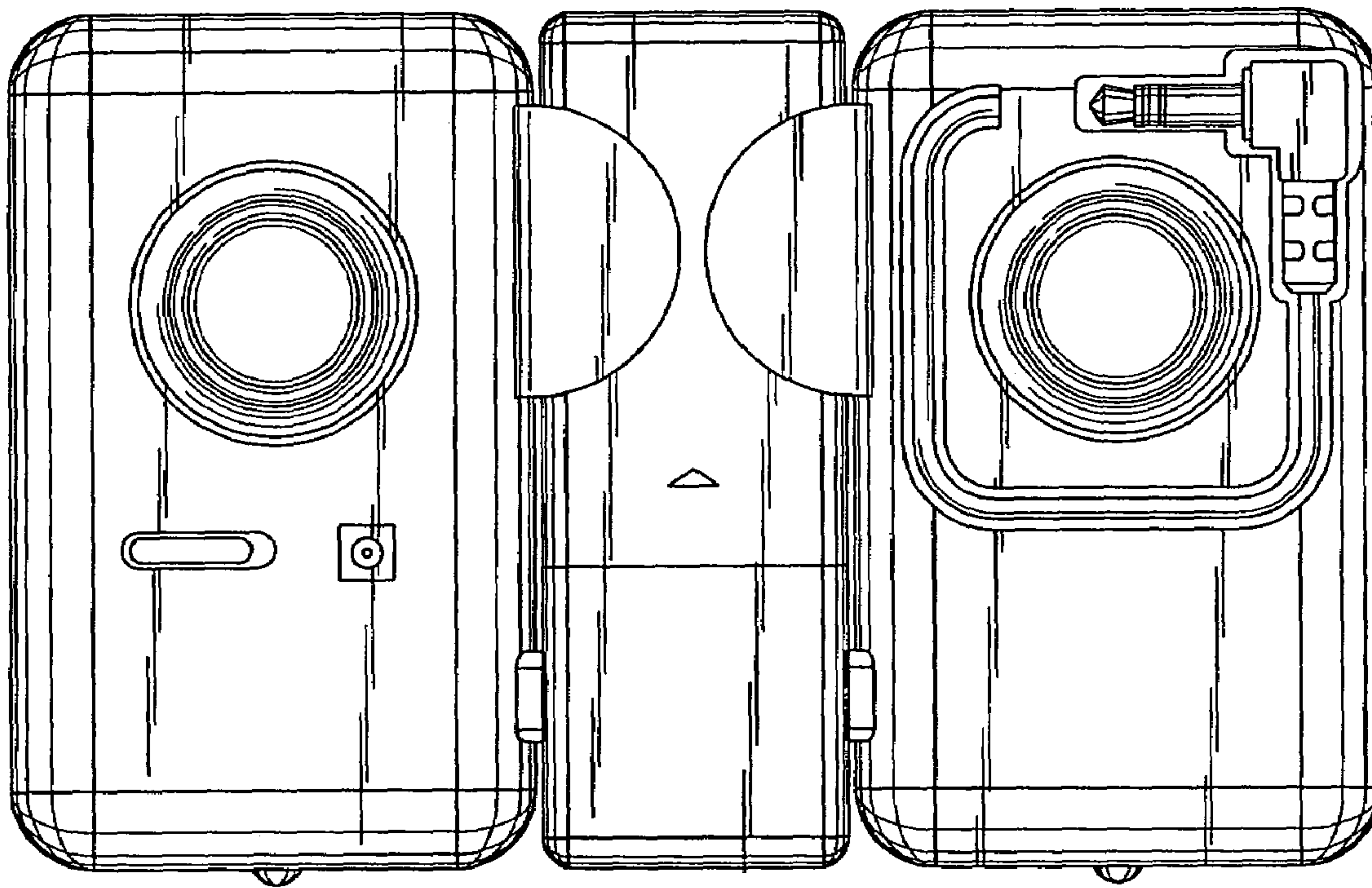


FIG. 4

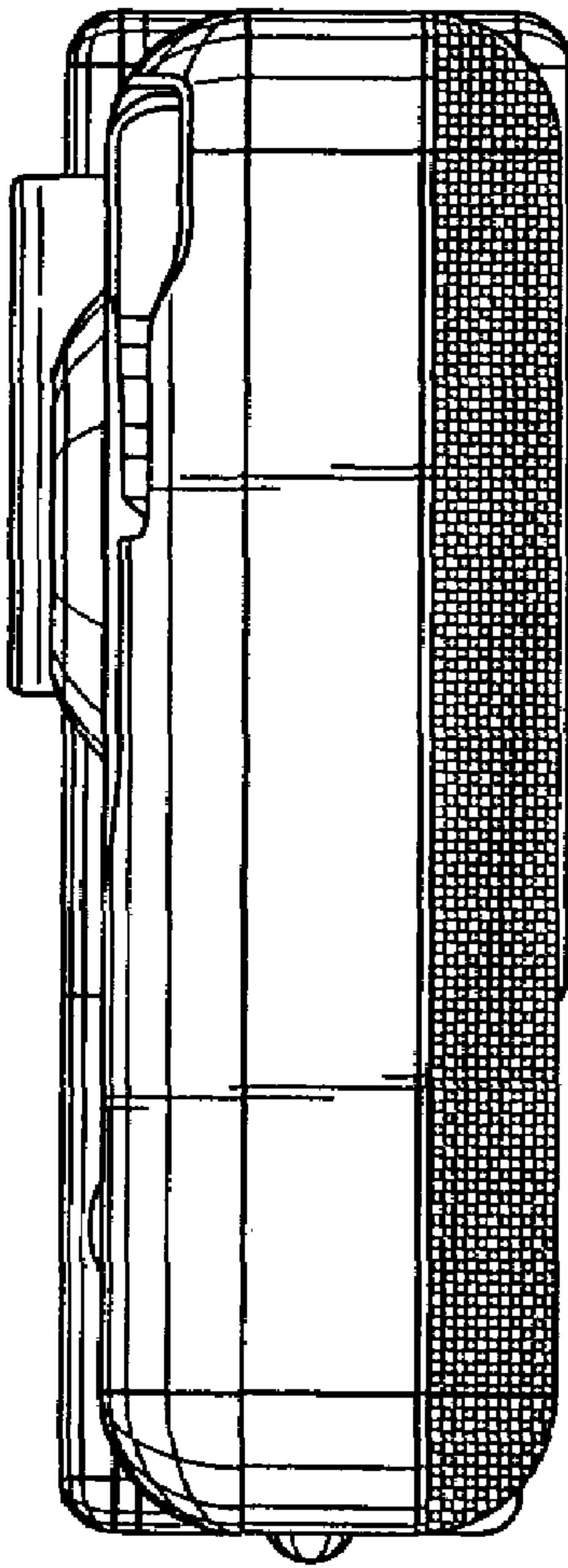


FIG. 6

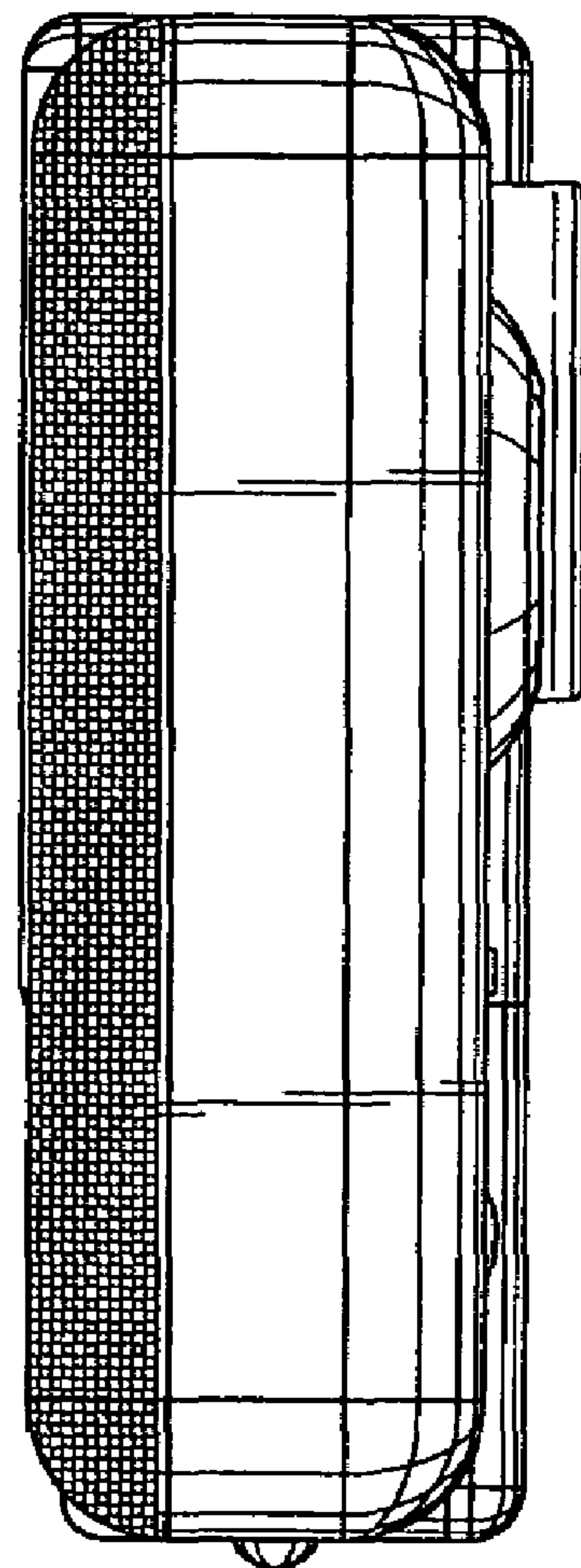


FIG. 5

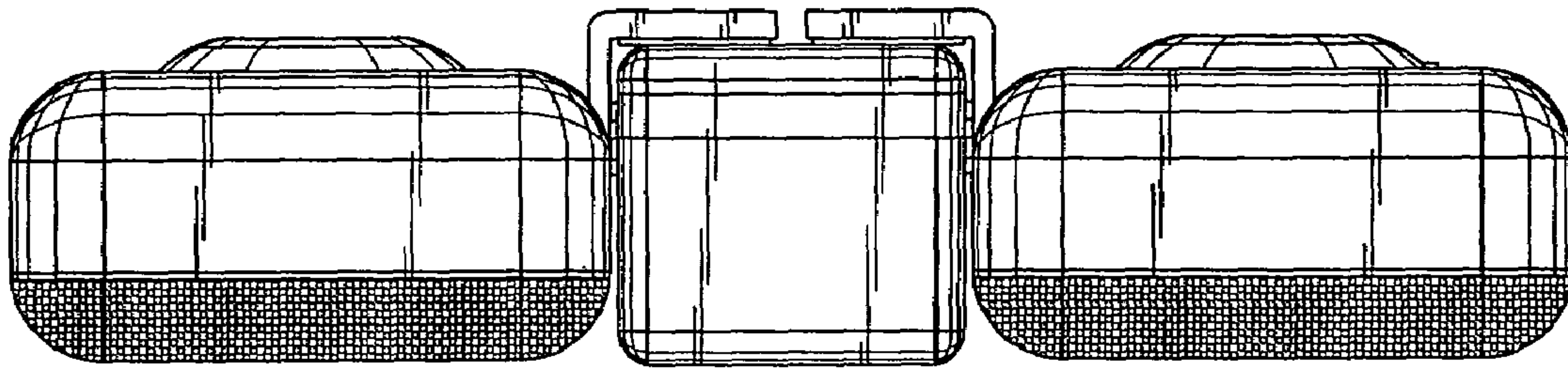


FIG. 7

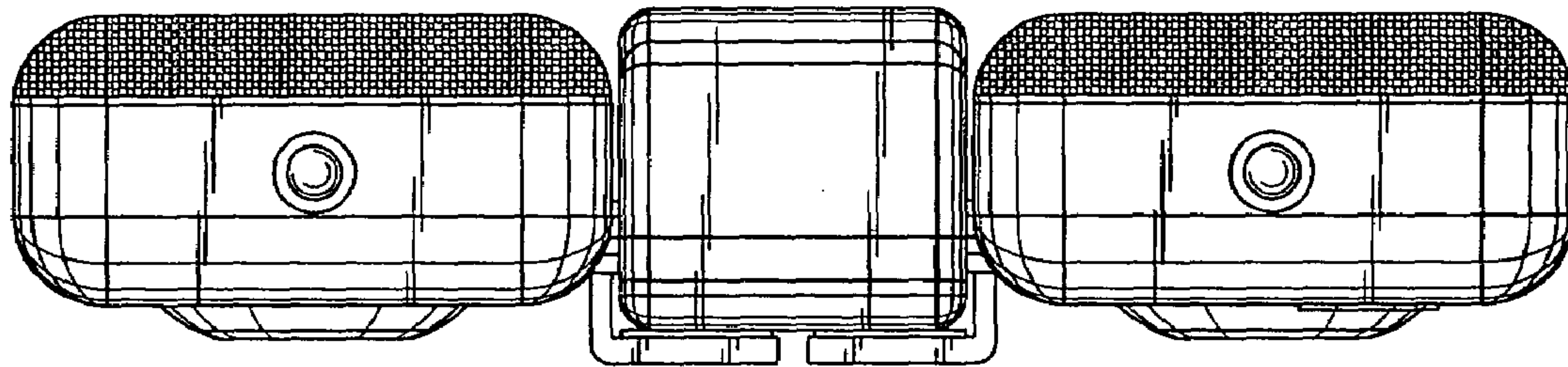
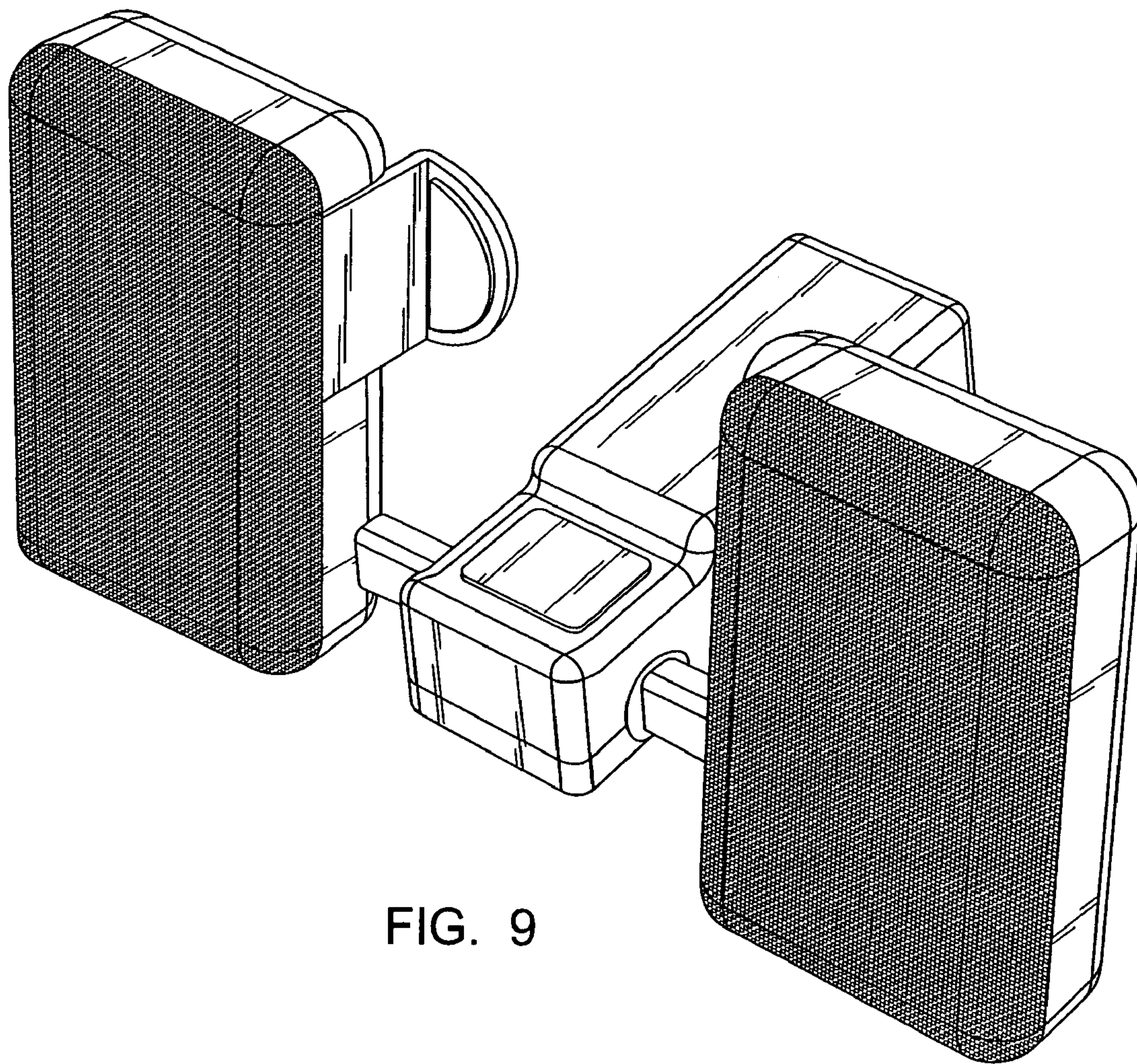


FIG. 8



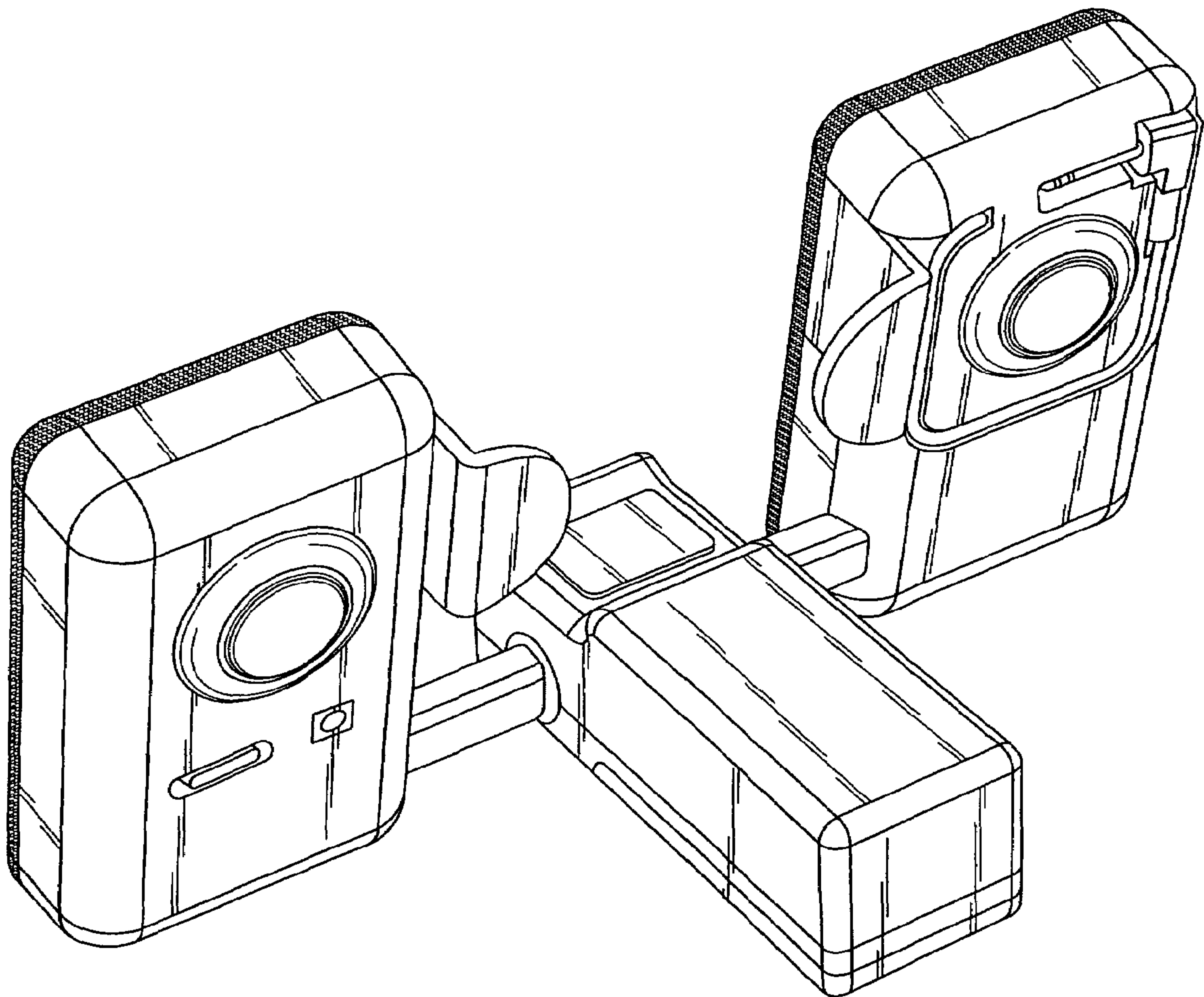


FIG. 10