

US00D557683S

(12) **United States Design Patent**
Suzuki

(10) **Patent No.:** **US D557,683 S**

(45) **Date of Patent:** **** Dec. 18, 2007**

(54) **RADIO RECEIVER**

(75) Inventor: **Satoshi Suzuki**, Tokyo (JP)

(73) Assignee: **Sony Corporation**, Tokyo (JP)

(**) Term: **14 Years**

(21) Appl. No.: **29/266,050**

(22) Filed: **Sep. 14, 2006**

(30) **Foreign Application Priority Data**

Apr. 13, 2006 (JP) D2006-009586

(51) **LOC (8) Cl.** **14-03**

(52) **U.S. Cl.** **D14/197; D14/188**

(58) **Field of Classification Search** D14/134-137,
D14/155, 160-171, 188, 191-198, 217, 265,
D14/496; D10/2; D21/513, 516; 369/6-12;
370/342-344; 455/344-355, 90.1-90.3
See application file for complete search history.

(56) **References Cited**

U.S. PATENT DOCUMENTS

D218,717 S * 9/1970 Fressard et al. D15/70
D369,168 S * 4/1996 Yano D14/194
D408,411 S 4/1999 Hakoda

D428,873 S * 8/2000 Hutchinson et al. D14/194
D438,857 S 3/2001 Ishii
D496,061 S * 9/2004 Hayashi D16/208
D513,246 S * 12/2005 Yim D14/168
D542,317 S * 5/2007 Miyashita D16/202

* cited by examiner

Primary Examiner—Stella M. Reid

Assistant Examiner—Keli' L. Acker

(74) *Attorney, Agent, or Firm*—Rader, Fishman & Grauer,
PLLC

(57) **CLAIM**

The ornamental design for a radio receiver, as shown.

DESCRIPTION

FIG. 1 is a perspective view of a radio receiver showing my new design;

FIG. 2 is a front elevational view thereof;

FIG. 3 is a rear elevational view thereof;

FIG. 4 is a left side elevational view thereof;

FIG. 5 is a right side elevational view thereof;

FIG. 6 is a top plan view thereof; and,

FIG. 7 is a bottom plan view thereof.

1 Claim, 7 Drawing Sheets

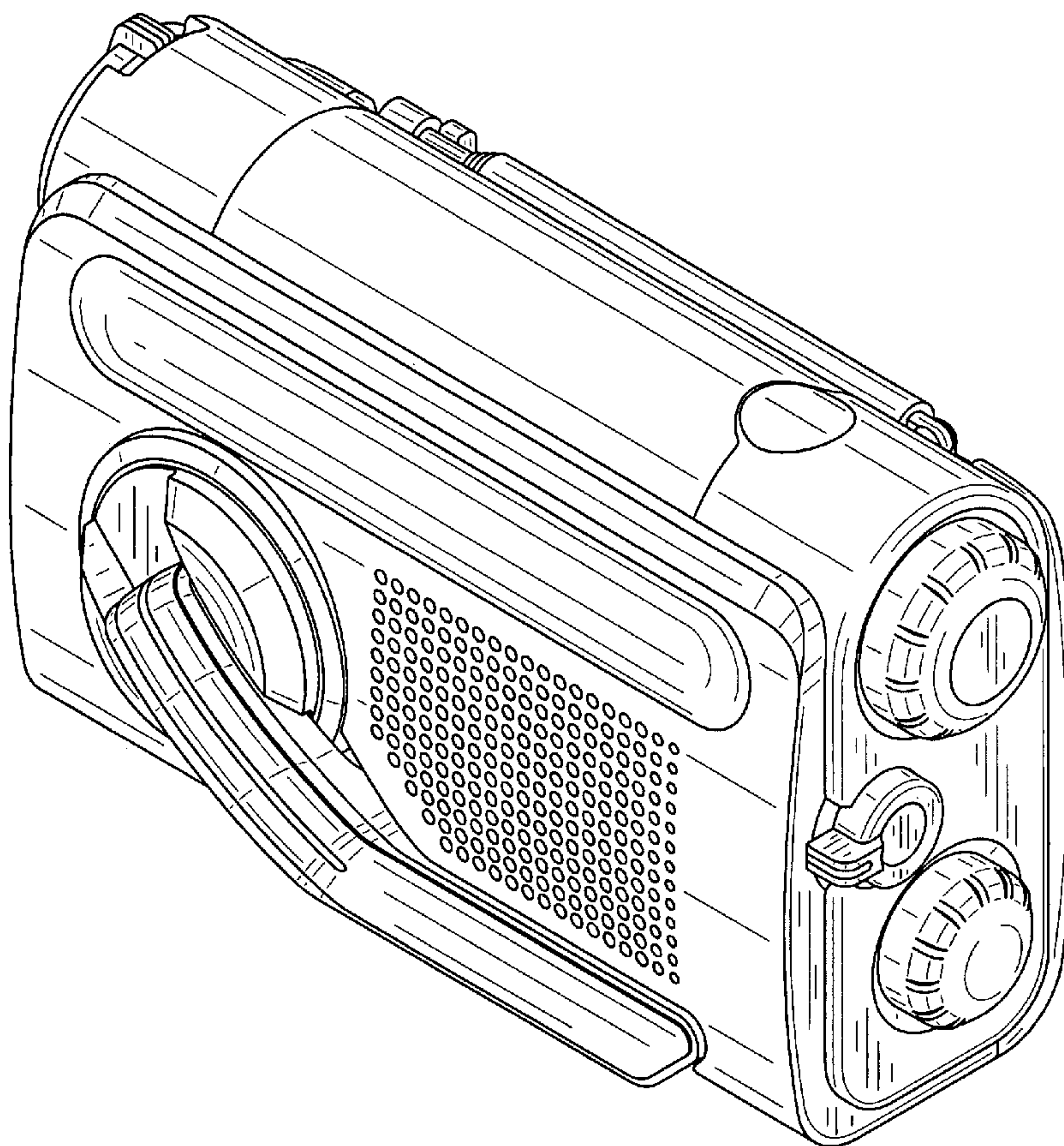


Fig.1

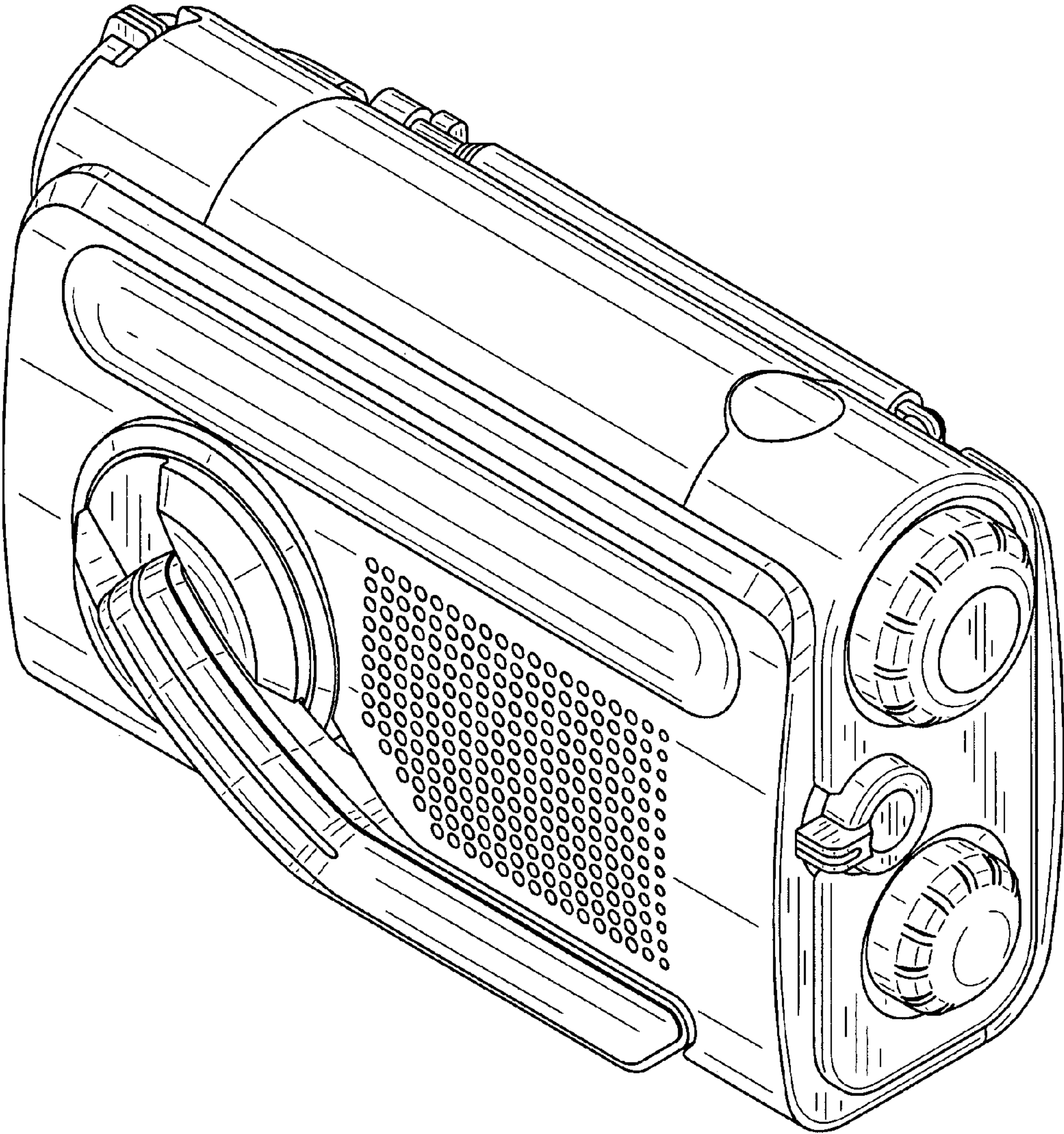


Fig.2

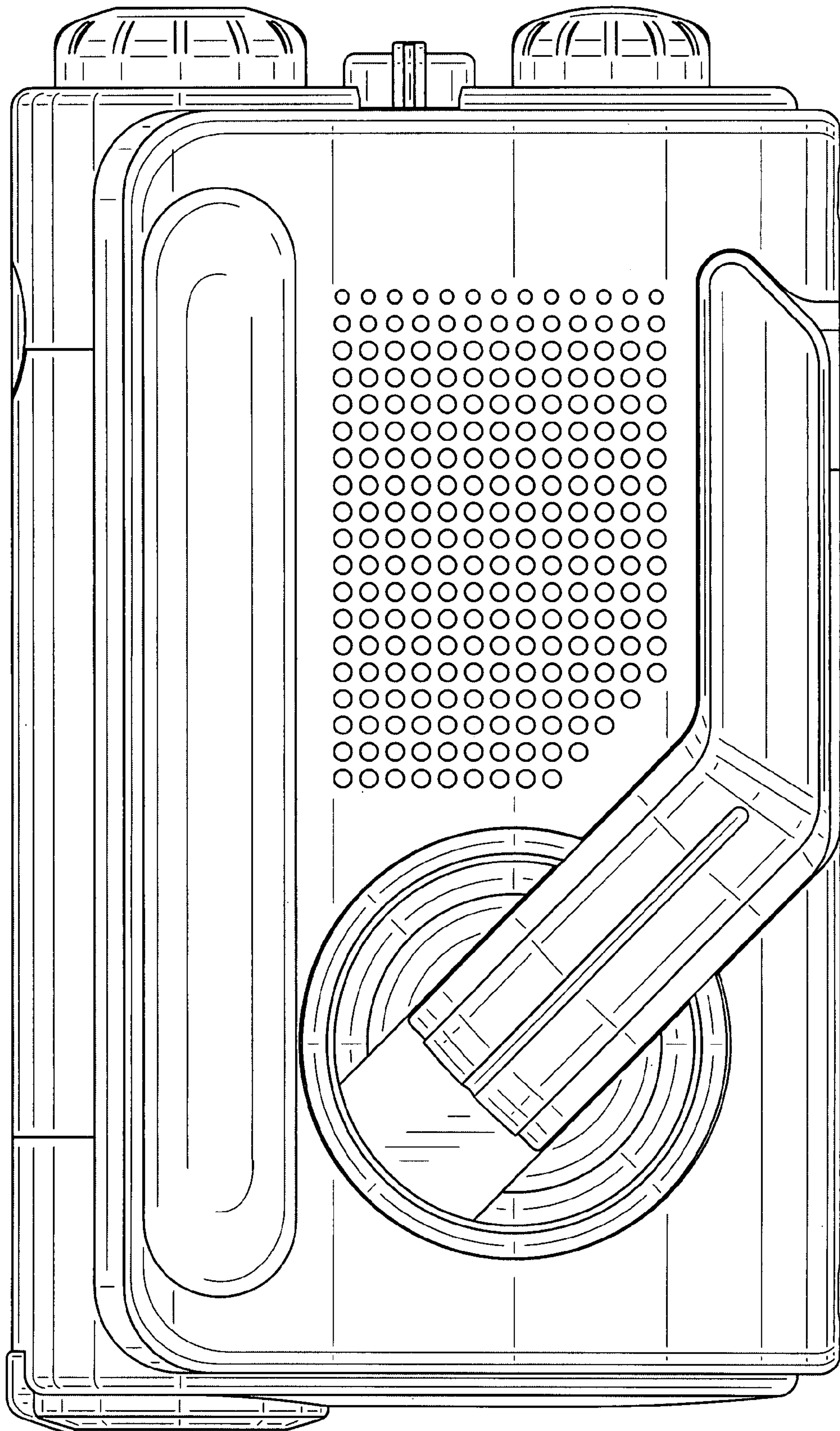


Fig.3

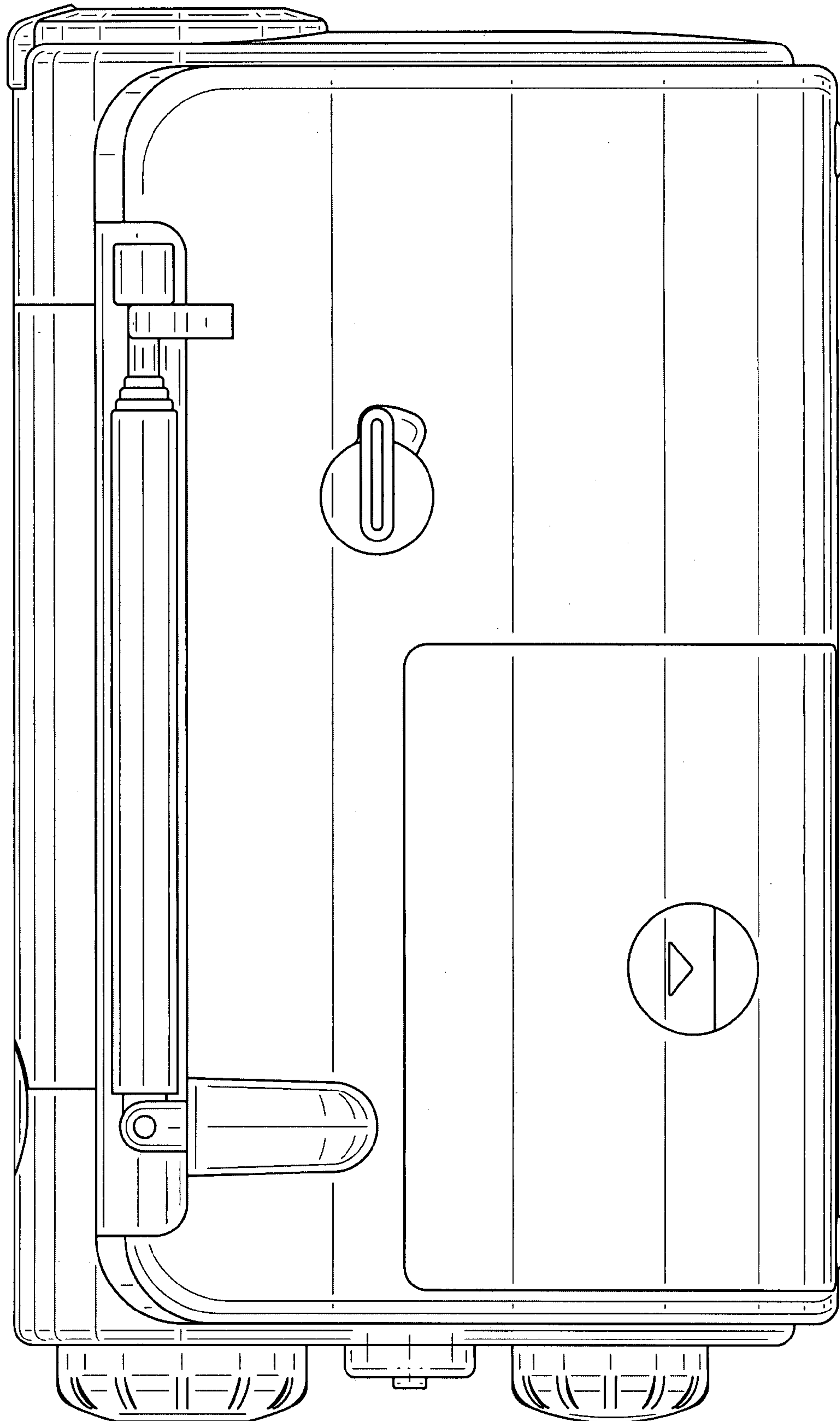


Fig.4

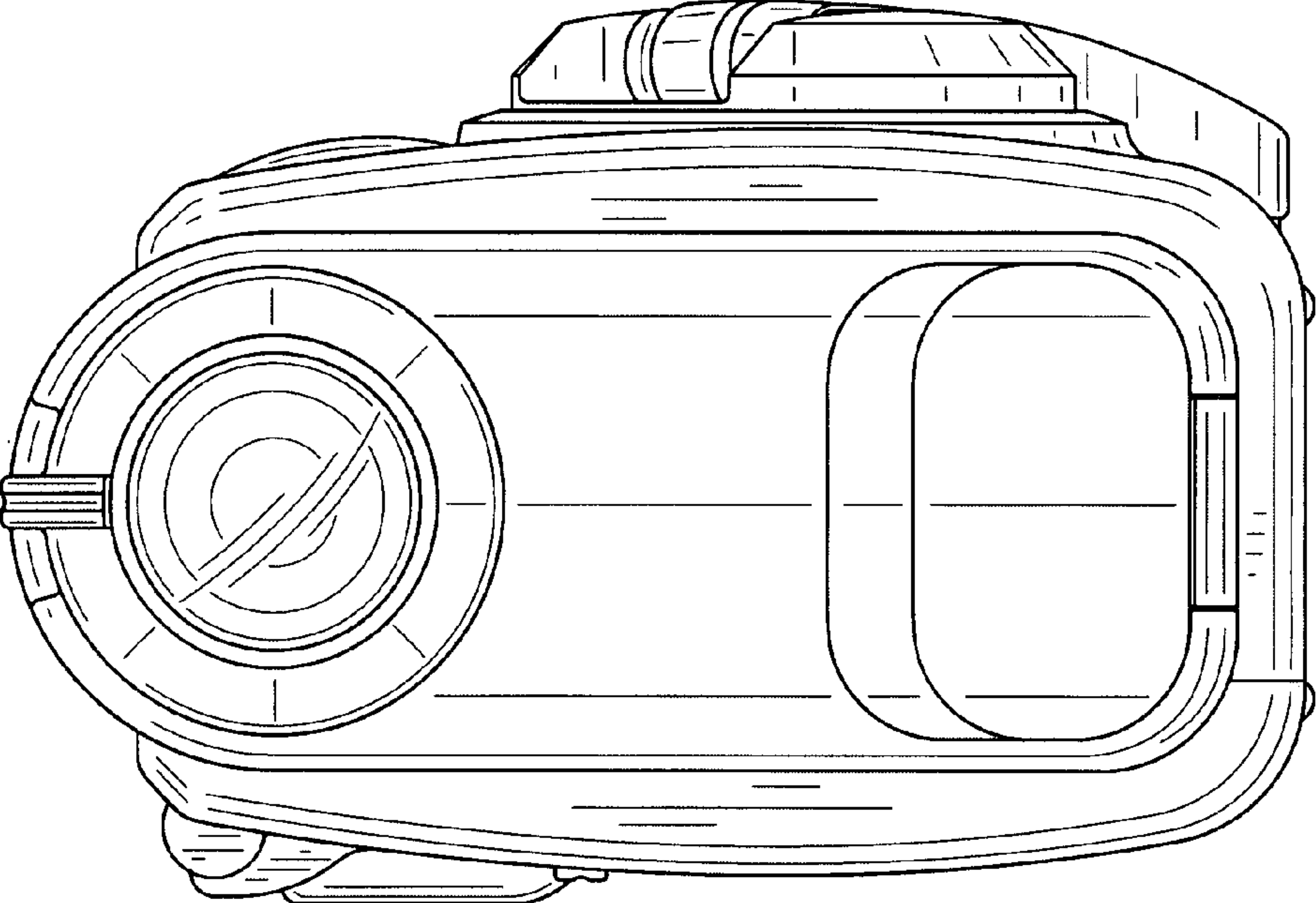


Fig.5

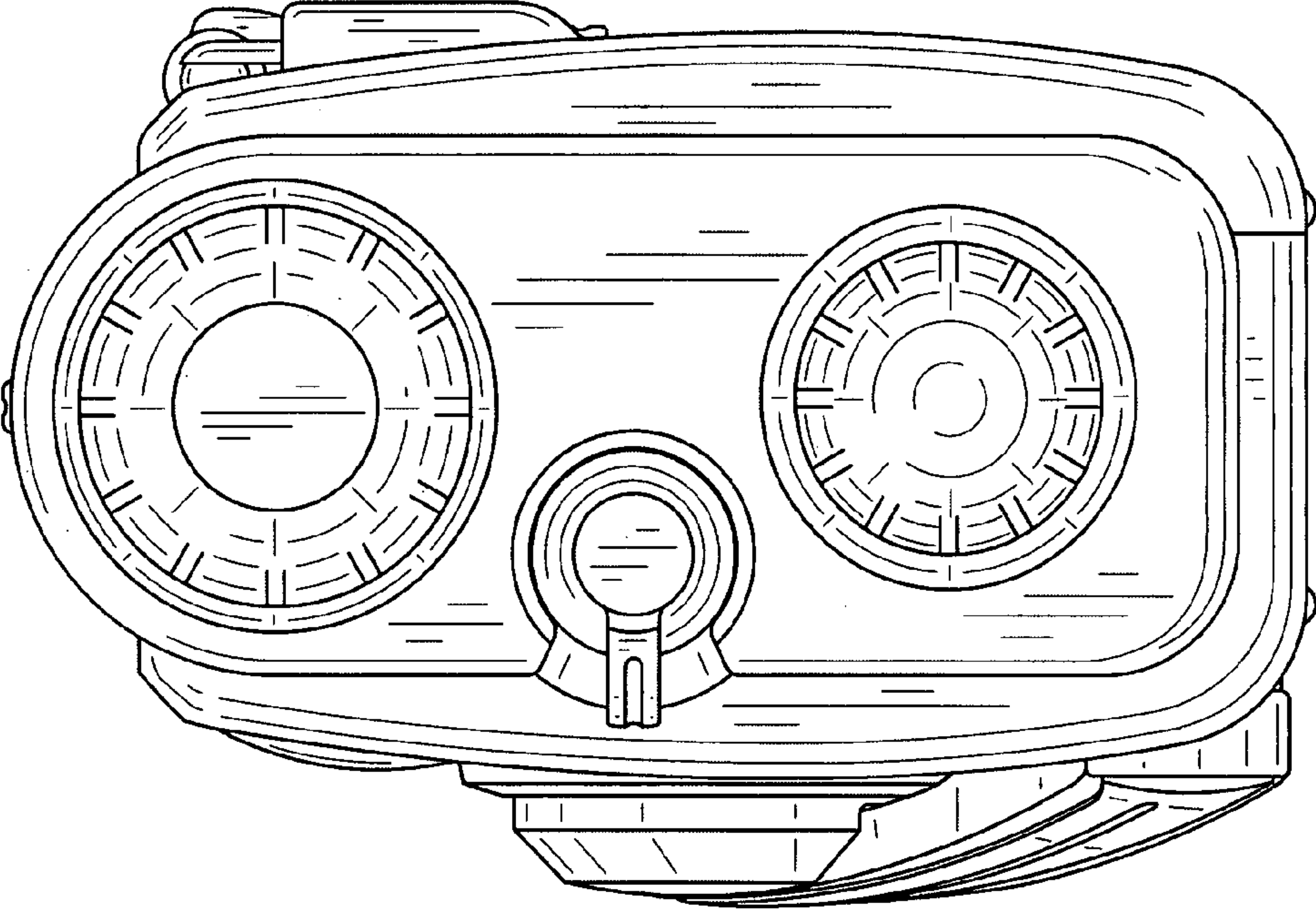


Fig.6

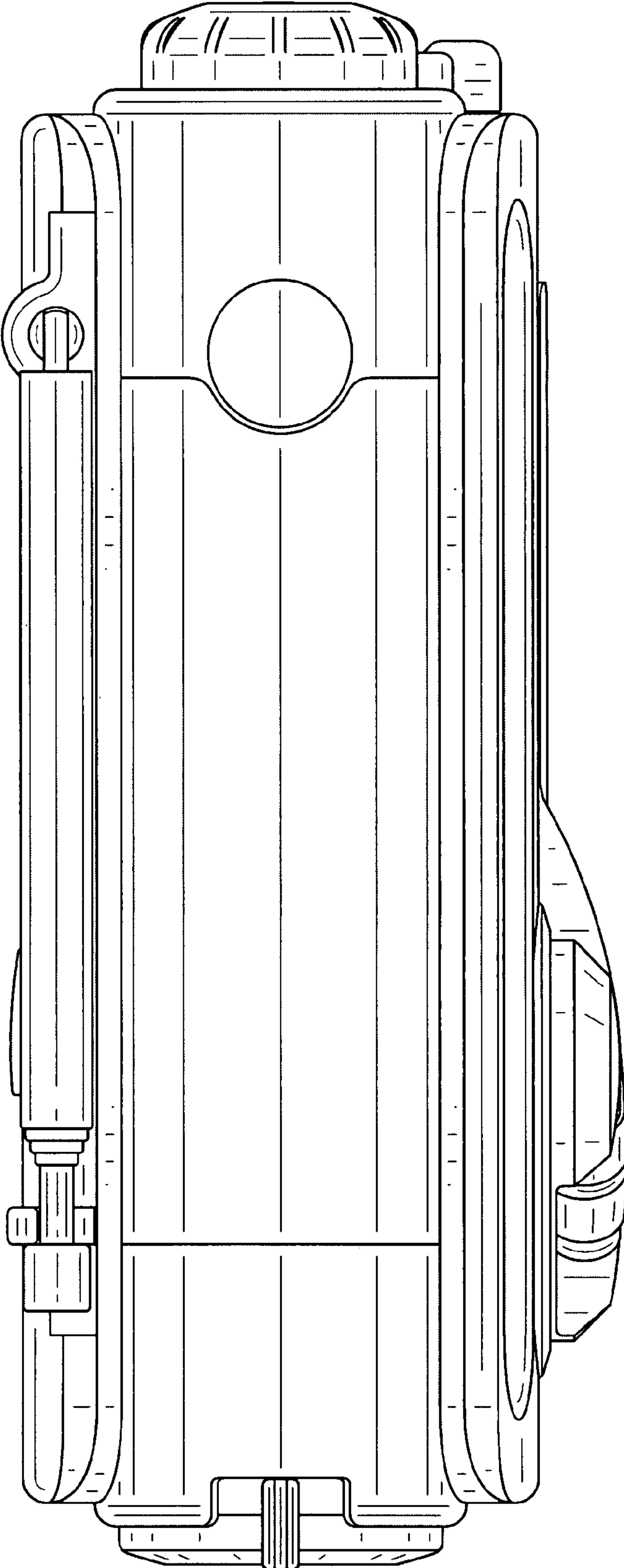


Fig.7

