



US00D557681S

(12) **United States Design Patent** (10) **Patent No.:** **US D557,681 S**
Silva (45) **Date of Patent:** **** Dec. 18, 2007**

(54) **AMPLIFIER TABLE**

D473,541 S * 4/2003 Lloyd, Jr. D14/211

(76) Inventor: **Kevin DeVere Silva**, 7709 Hague Rd., Indianapolis, IN (US) 46256

* cited by examiner

(**) Term: **14 Years**

Primary Examiner—Stella M. Reid

Assistant Examiner—Keli' L. Acker

(21) Appl. No.: **29/247,136**

(74) *Attorney, Agent, or Firm*—Woodard, Emhardt, Moriarty, McNett & Henry LLP

(22) Filed: **Jun. 1, 2006**

(57) **CLAIM**

(51) **LOC (8) Cl.** **14-03**

The ornamental design for an amplifier table, as shown and described.

(52) **U.S. Cl.** **D14/189; D14/212; D14/188**

(58) **Field of Classification Search** D14/168, D14/169, 179, 188, 217, 257, 265, 299; 330/1 R, 330/3, 4, 250; 381/86, 120; 455/344-351; D6/396, 449, 480, 488

See application file for complete search history.

DESCRIPTION

FIG. 1 is a front view of an amplifier table, embodying my new design;

FIG. 2 is right side view thereof;

FIG. 3 is a left side view thereof;

FIG. 4 is a rear view thereof;

FIG. 5 is a top view thereof;

FIG. 6 is a bottom view thereof;

FIG. 7 is a perspective view thereof; and,

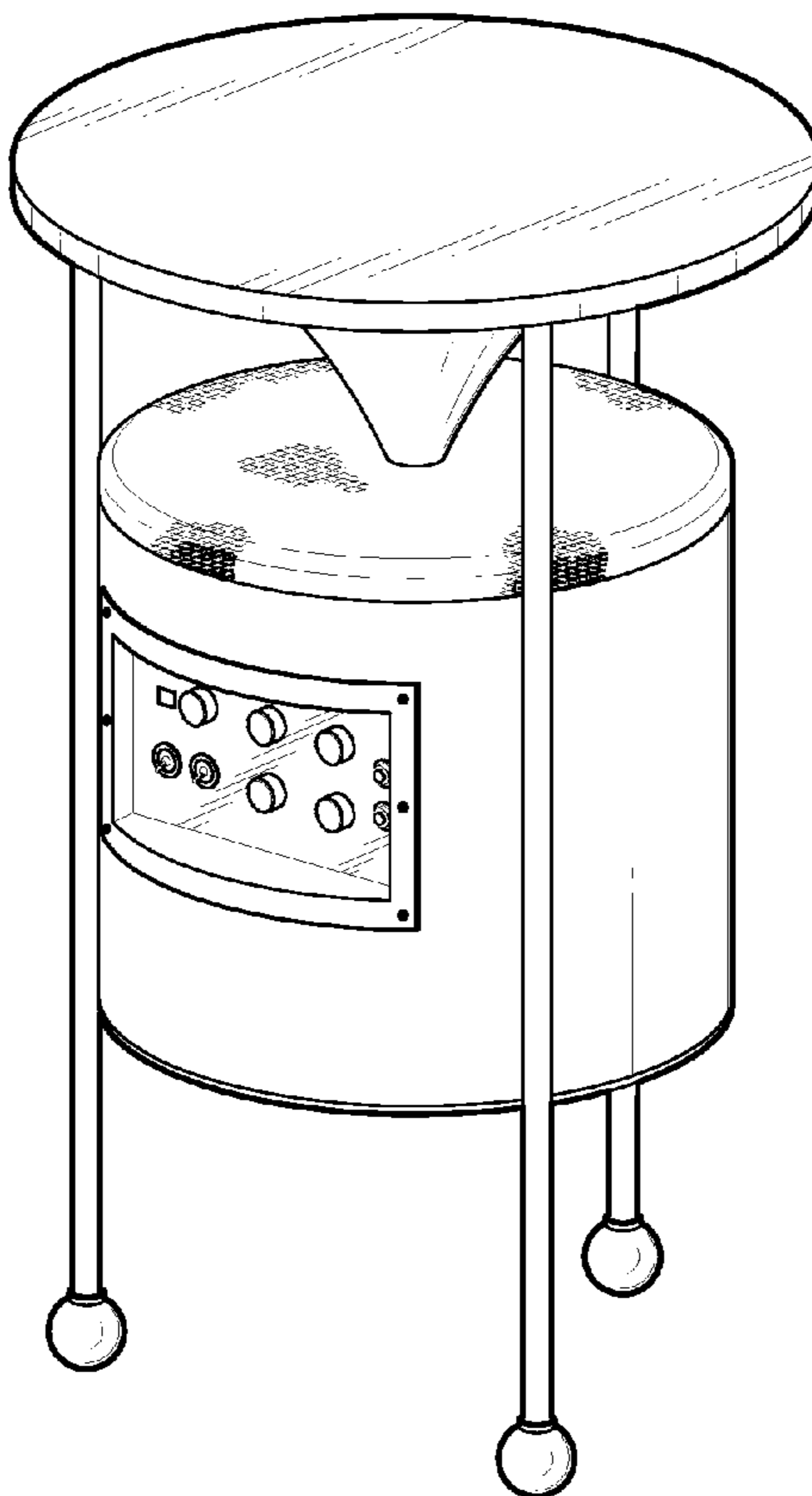
FIG. 8 is an enlarged fragmentary view looking in the direction of arrows 8—8 of FIG. 2.

(56) **References Cited**

U.S. PATENT DOCUMENTS

D71,623 S *	12/1926	Robin	D14/212
D211,180 S *	5/1968	Boldt	D14/212
D214,912 S *	8/1969	Duern et al.	D14/212
D217,986 S *	7/1970	Becker et al.	D14/197
D218,614 S *	9/1970	Yurdia	D14/212
D223,255 S *	4/1972	Boldt et al.	D14/212
3,884,326 A *	5/1975	Orisek	181/155
D277,853 S *	3/1985	Thomas	D14/228
5,115,882 A *	5/1992	Woody	181/144

1 Claim, 6 Drawing Sheets



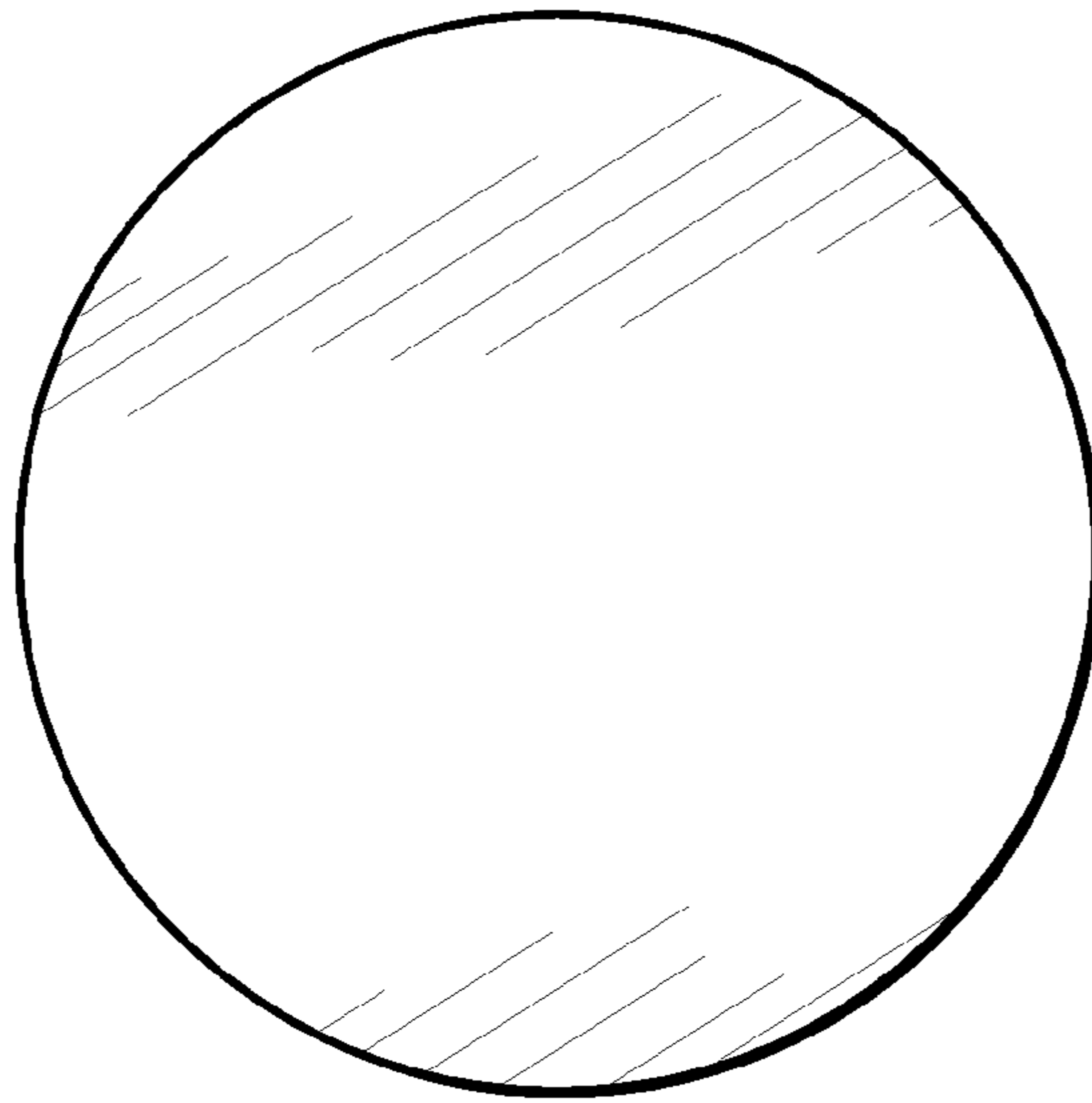


Fig. 5

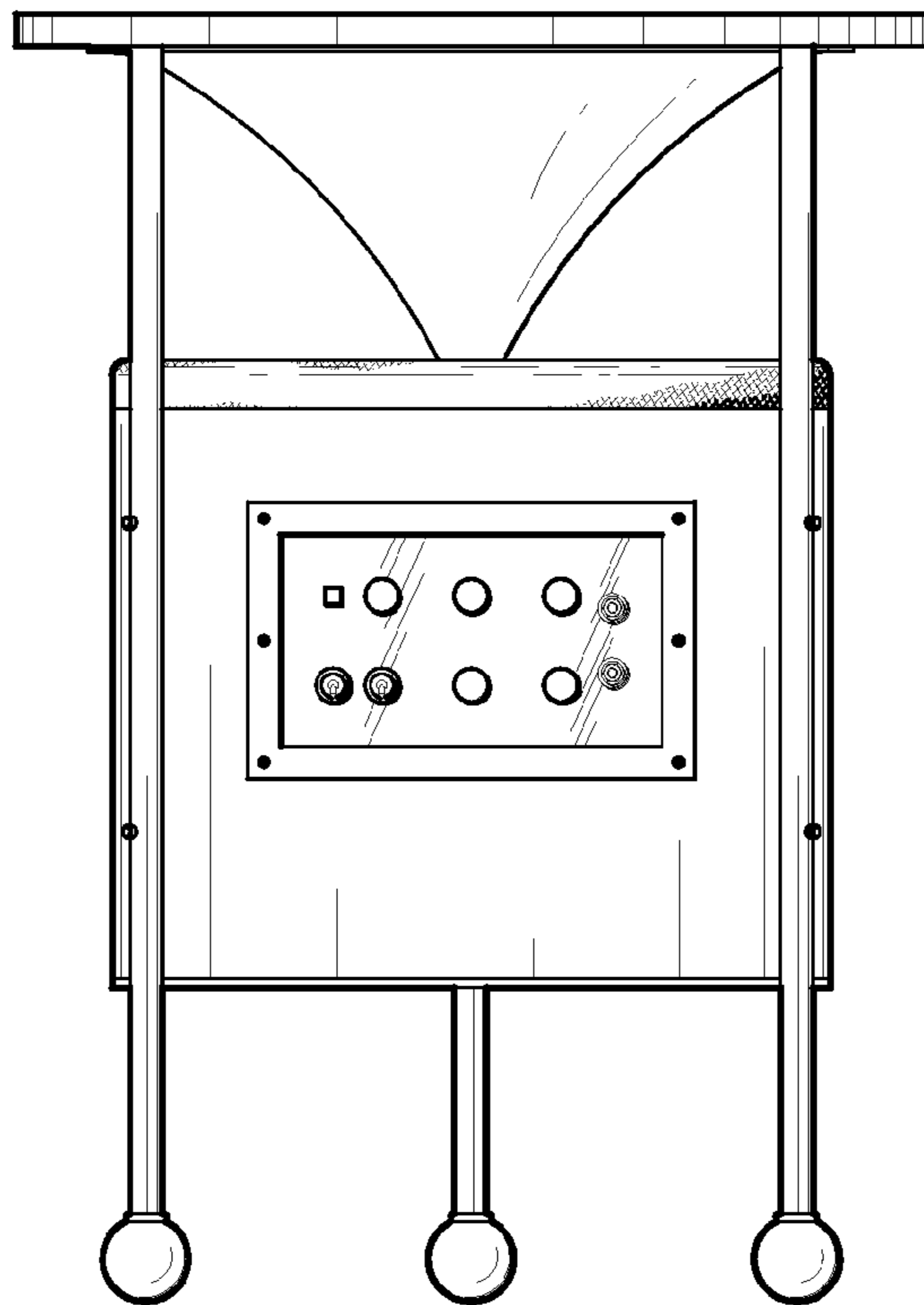


Fig. 1

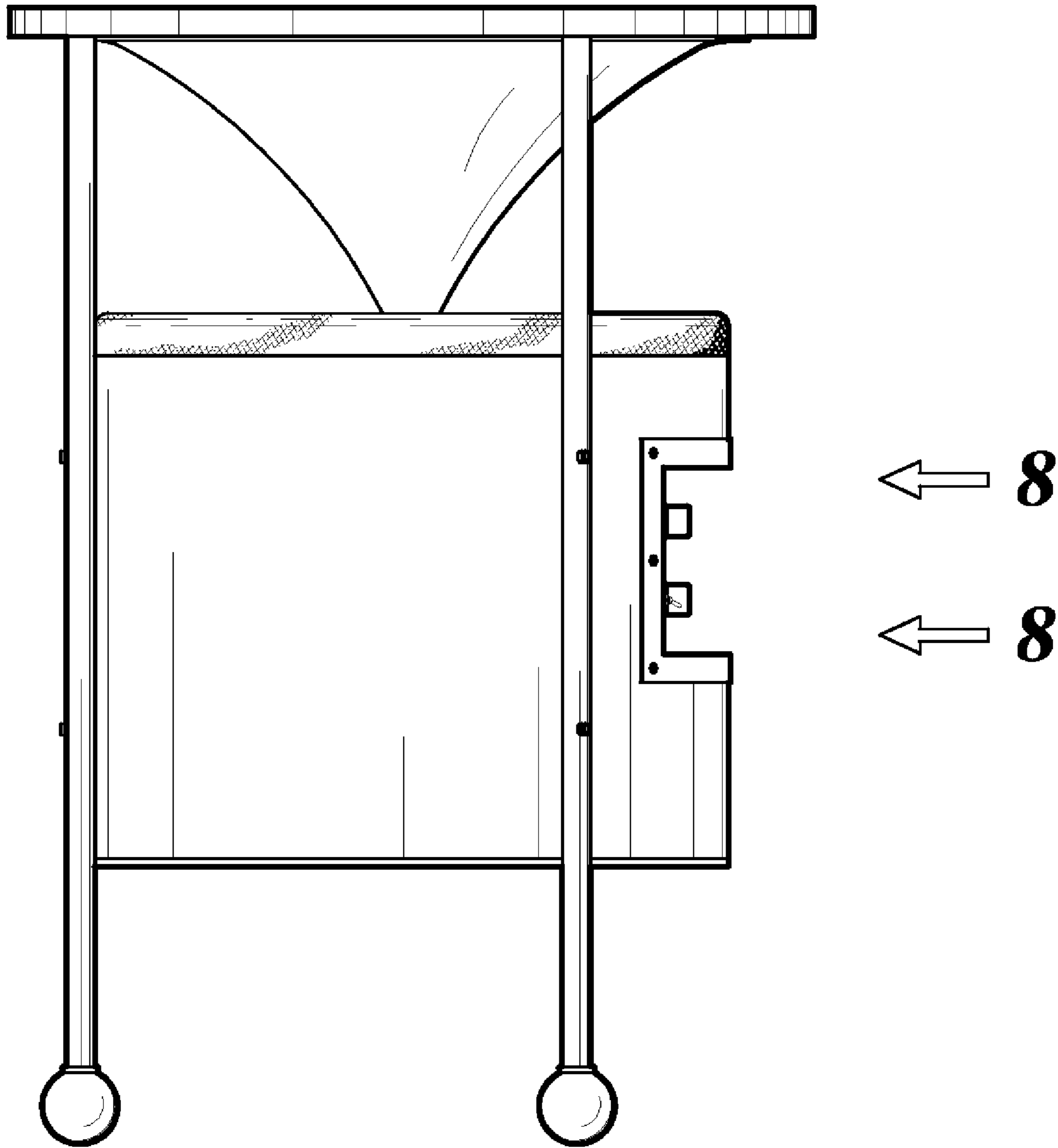


Fig. 2

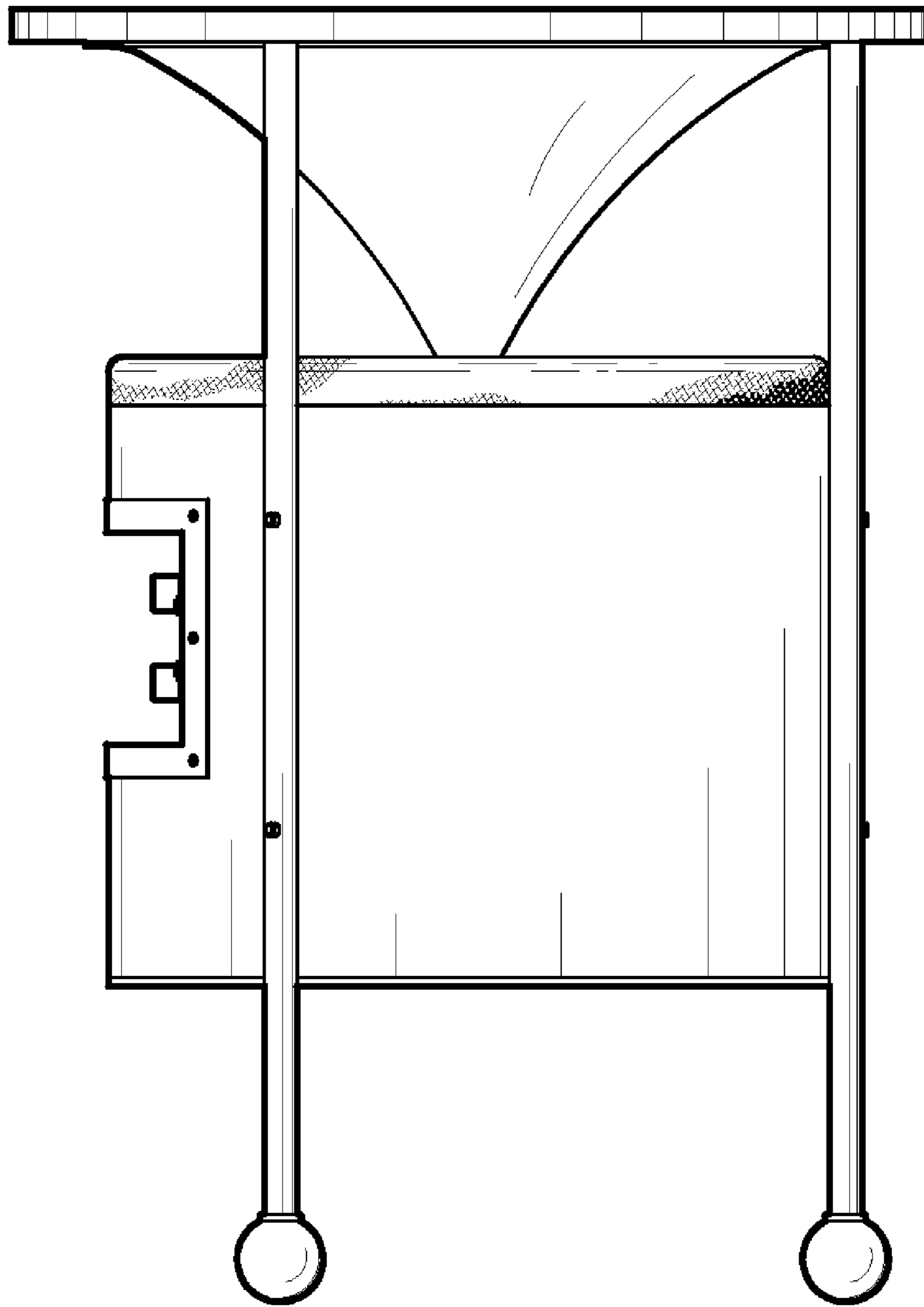


Fig. 3

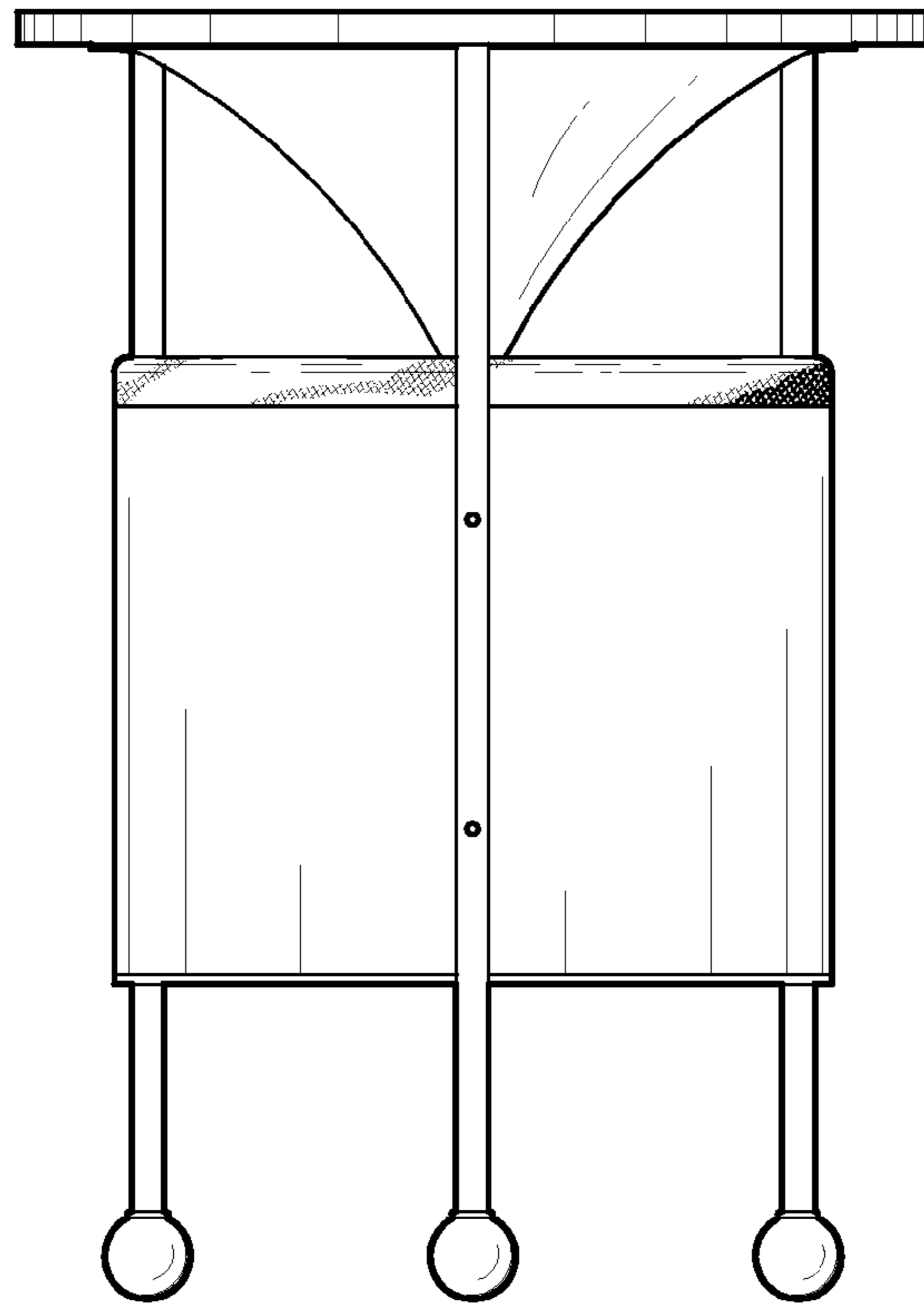


Fig. 4

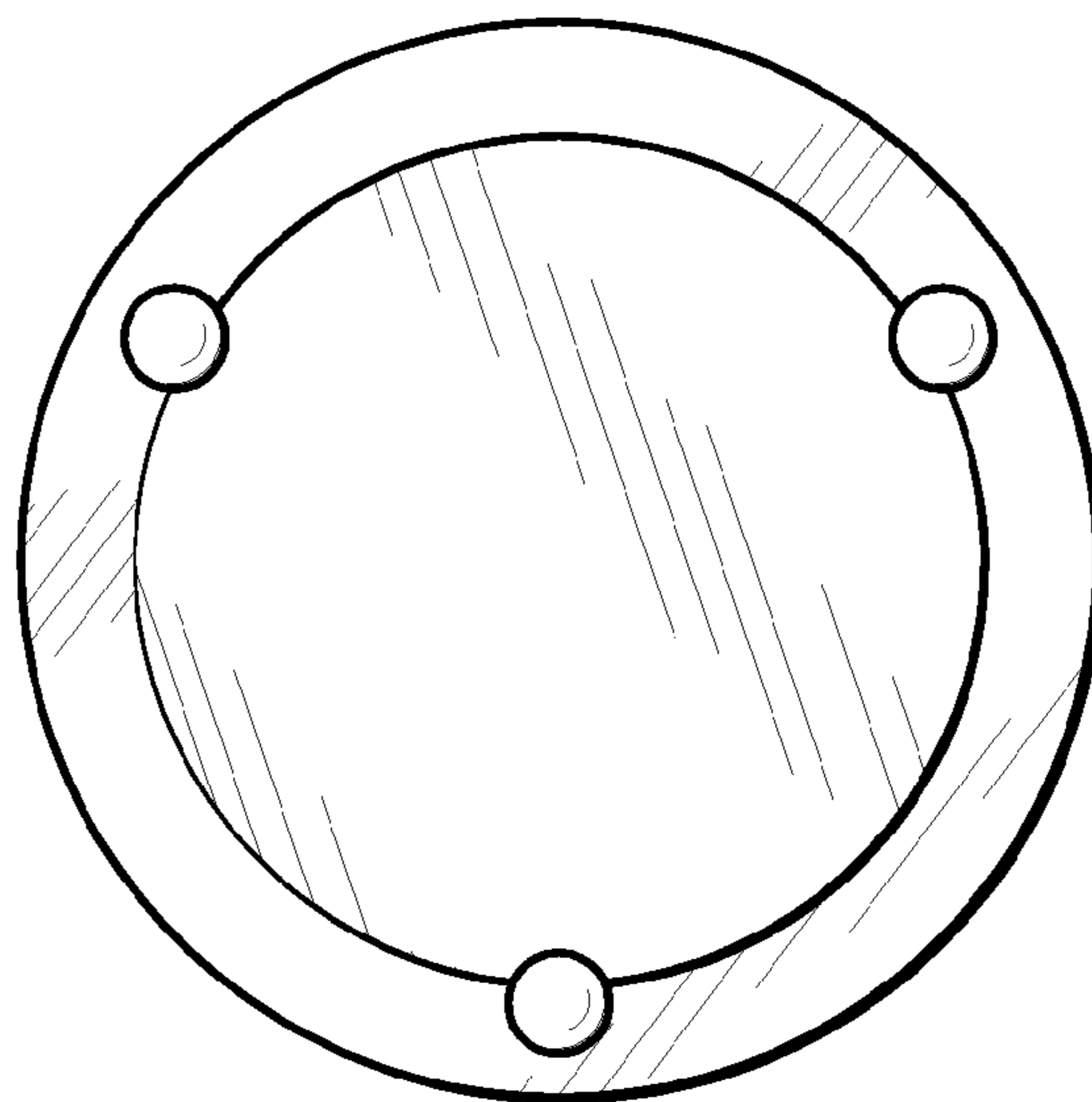


Fig. 6

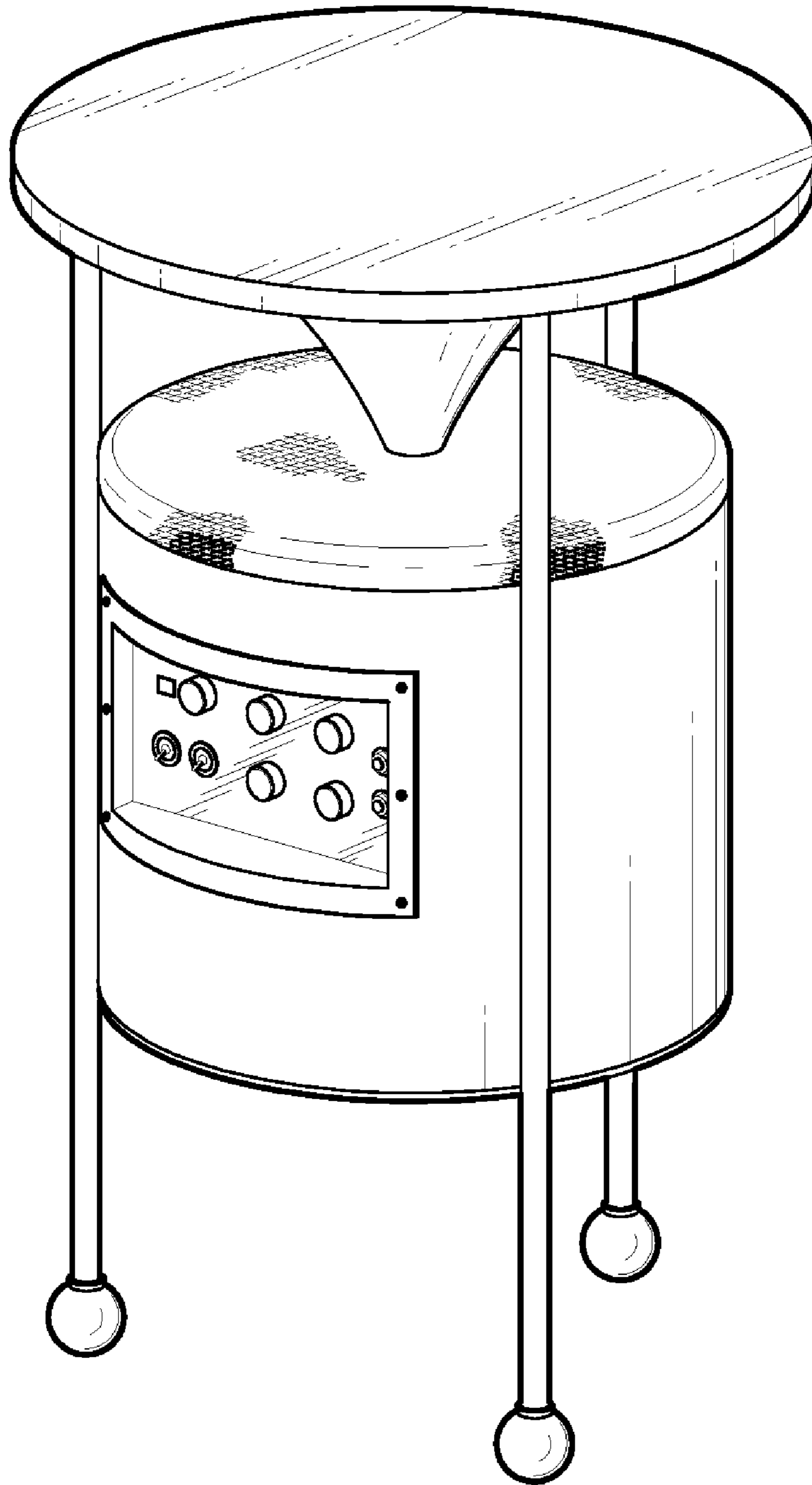


Fig. 7

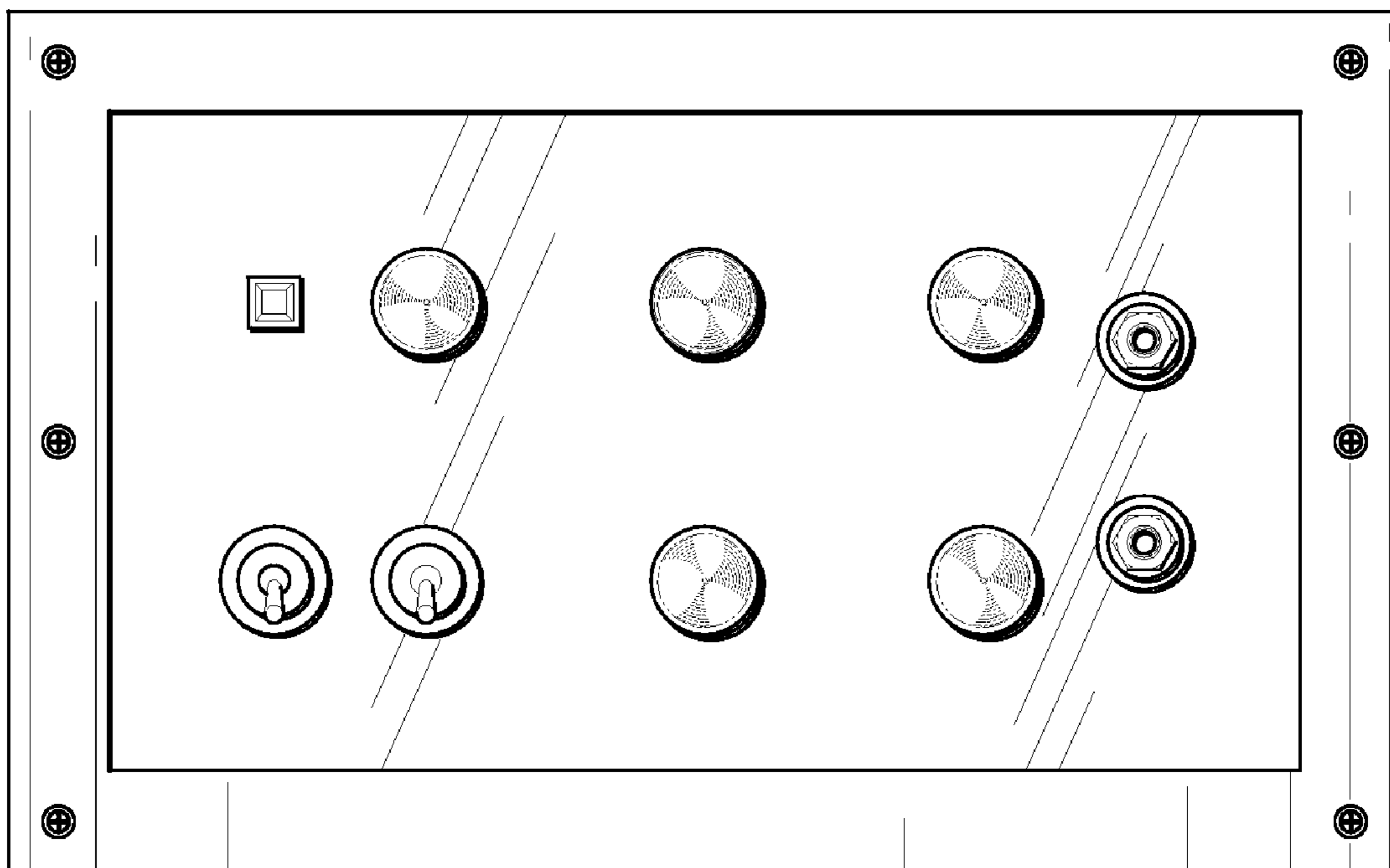


Fig. 8