



US00D557679S

(12) **United States Design Patent**  
**Bey et al.**

(10) **Patent No.:** **US D557,679 S**

(45) **Date of Patent:** **\*\* Dec. 18, 2007**

(54) **DIGITAL AUDIO RECORDING DEVICE**

(75) Inventors: **Fadhly Bey**, San Francisco, CA (US);  
**David Noppenberger**, Baltimore, MD  
(US); **Kelly Kodama**, Alamo, CA (US);  
**John Haggis**, San Jose, CA (US); **Alan**  
**Czeszynski**, Pleasanton, CA (US);  
**Arthur Cohen**, Cupertino, CA (US);  
**Francis Lau**, Fremont, CA (US)

(73) Assignee: **Aerielle Technologies, Inc.**, Mountain  
View, CA (US)

(\*\*) Term: **14 Years**

(21) Appl. No.: **29/246,870**

(22) Filed: **May 17, 2006**

(51) **LOC (8) Cl.** ..... **14-01**

(52) **U.S. Cl.** ..... **D14/167**

(58) **Field of Classification Search** ..... D14/171,  
D14/217, 198, 197, 196, 195, 194, 193, 188,  
D14/168, 167, 162, 156, 136, 135, 368, 165,  
D14/496; D13/168; D10/15; 455/350,  
455/347, 344; 386/69, 18

See application file for complete search history.

(56) **References Cited**

U.S. PATENT DOCUMENTS

D311,920 S *	11/1990	Fuller et al.	.....	D14/257
D330,711 S *	11/1992	Tokiyama	.....	D14/257
D444,137 S *	6/2001	Miyazaki	.....	D14/167
D451,083 S *	11/2001	Ito et al.	.....	D14/188
D486,814 S *	2/2004	Nakamura	.....	D14/167
D505,927 S *	6/2005	Ma et al.	.....	D14/136

D517,539 S *	3/2006	Jones	.....	D14/258
D521,991 S *	5/2006	Storti et al.	.....	D14/257
D531,980 S *	11/2006	Takemasa	.....	D14/167
D535,306 S *	1/2007	Tokioka	.....	D14/496
D535,307 S *	1/2007	Yagi	.....	D14/496
D535,958 S *	1/2007	Yamamoto et al.	.....	D14/136
D540,288 S *	4/2007	Yoshihara et al.	.....	D14/136

\* cited by examiner

*Primary Examiner*—Cathron C. Brooks

*Assistant Examiner*—Austin Murphy

(74) *Attorney, Agent, or Firm*—Stainbrook & Stainbrook,  
LLP; Craig M. Stainbrook

(57) **CLAIM**

The ornamental design for a digital audio recording device,  
as shown and described.

**DESCRIPTION**

FIG. 1 is an upper right front perspective view of the digital  
audio recording device;

FIG. 2 is an upper right front perspective view;

FIG. 3 is a front elevational view;

FIG. 4 is a top plan view;

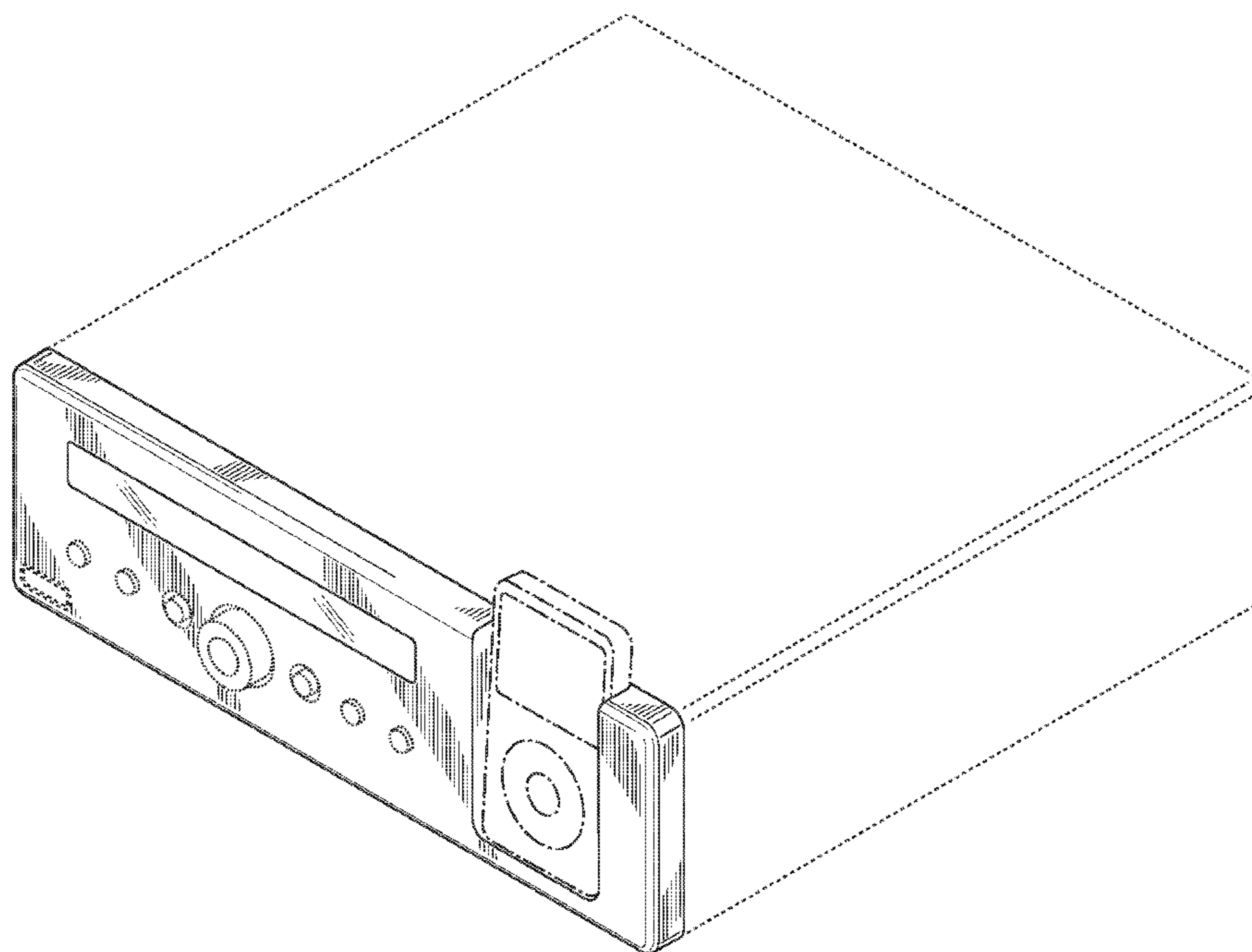
FIG. 5 is a left side elevational view, right side is mirror  
image thereof;

FIG. 6 is a bottom plan view; and,

FIG. 7 is a rear elevational view.

The broken lines shown in the drawings form no part of the  
claimed design.

**1 Claim, 4 Drawing Sheets**



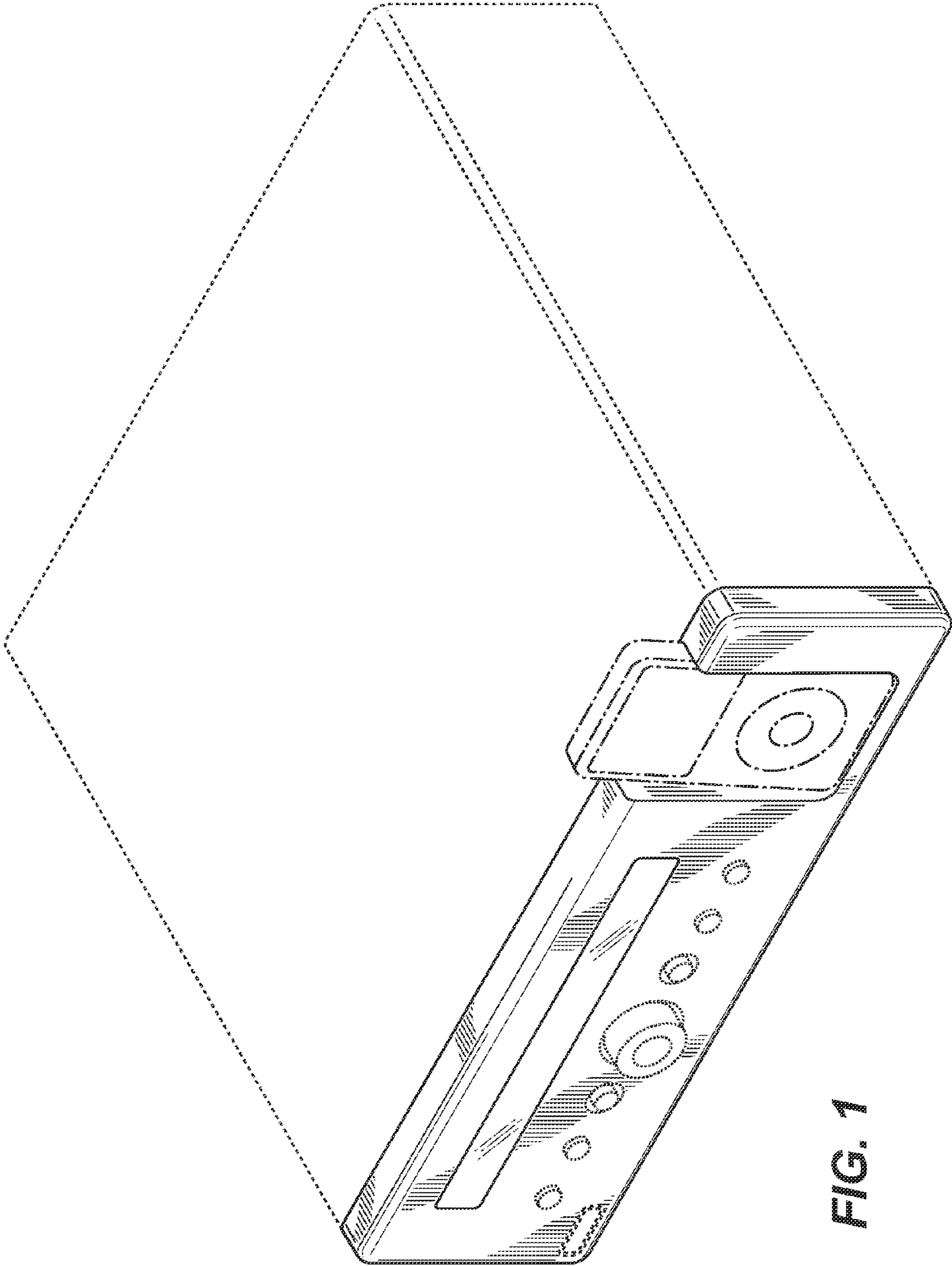


FIG. 1

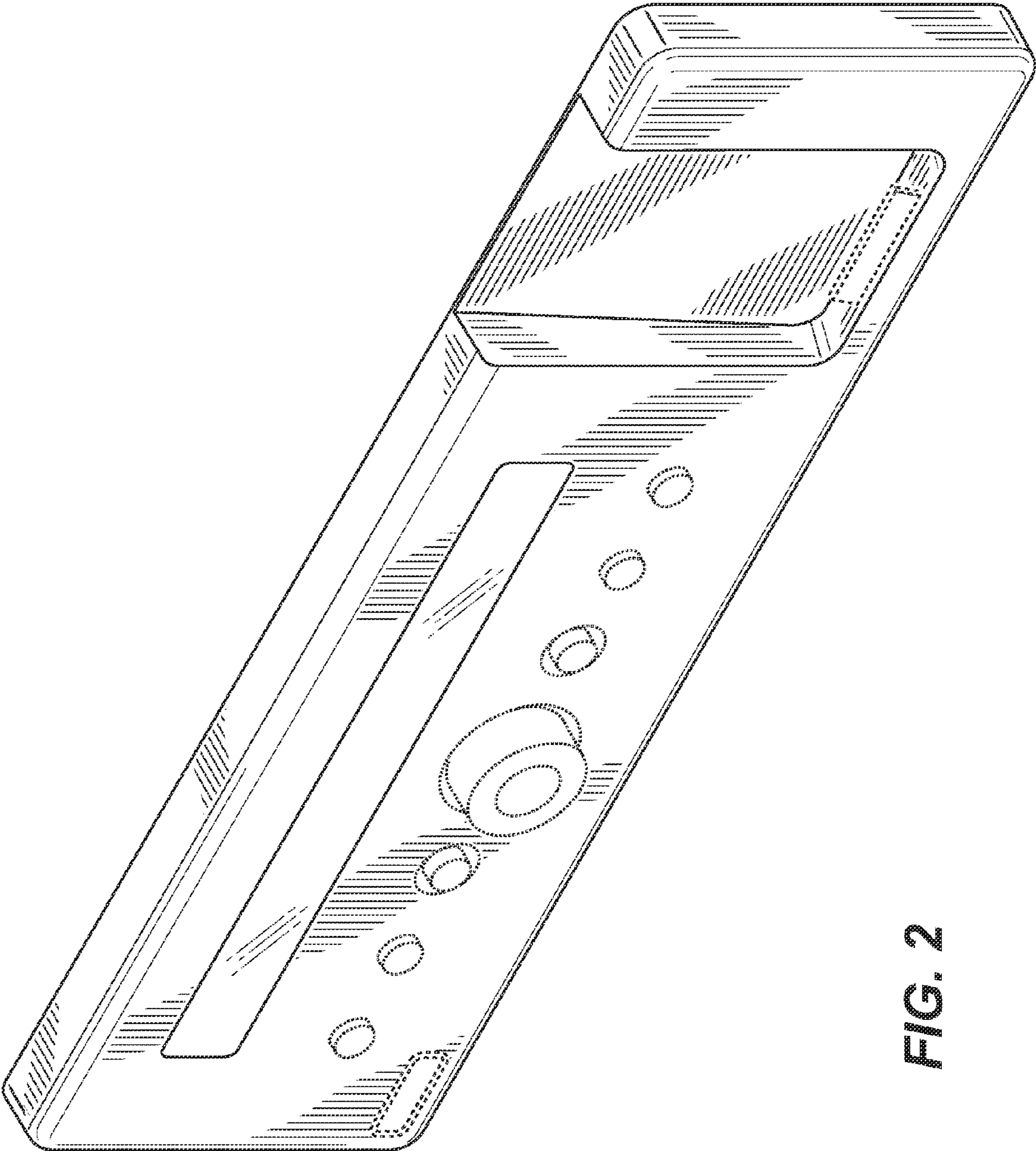


FIG. 2

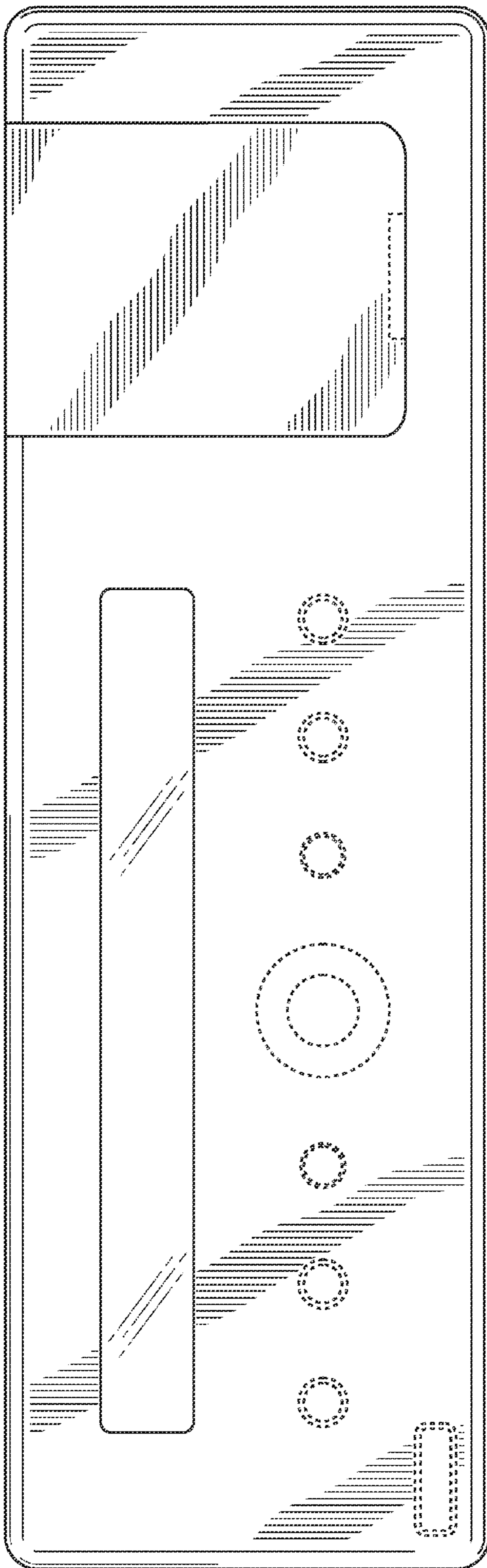


FIG. 3

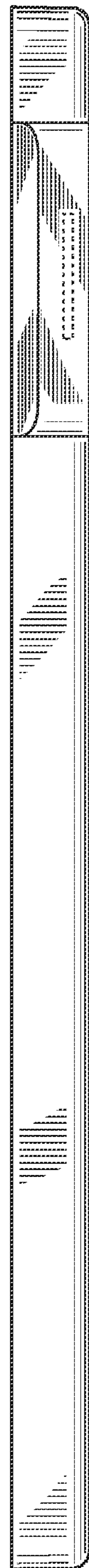


FIG. 4

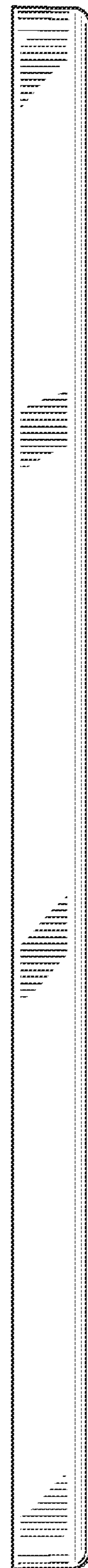


FIG. 6

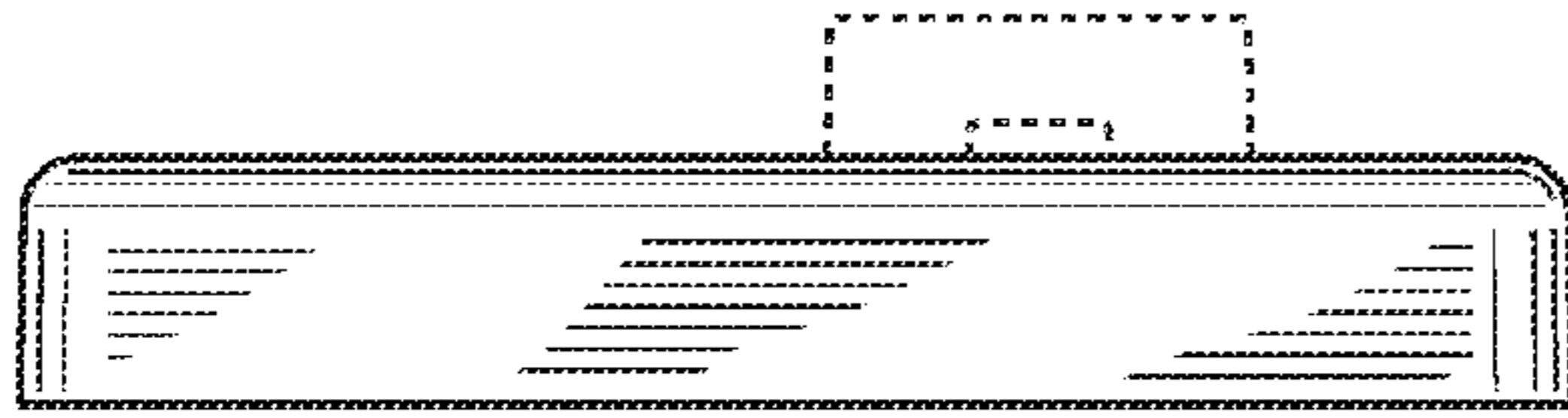


FIG. 5

FIG. 7

