



US00D557674S

(12) **United States Design Patent** (10) **Patent No.:** **US D557,674 S**
Lee et al. (45) **Date of Patent:** **** Dec. 18, 2007**

(54) **MOBILE PHONE**

(75) Inventors: **Seung Il Lee**, Seoul (KR); **Bo Ra Choi**, Seoul (KR); **Youn Chan Bae**, Seoul (KR); **Seon Woo Yoo**, Seoul (KR)

(73) Assignee: **LG Electronics Inc.**, Seoul (KR)

(**) Term: **14 Years**

(21) Appl. No.: **29/269,974**

(22) Filed: **Dec. 13, 2006**

(30) **Foreign Application Priority Data**

Jun. 14, 2006 (KR) 30-2006-0022214

(51) **LOC (8) Cl.** **14-03**

(52) **U.S. Cl.** **D14/138**

(58) **Field of Classification Search** D14/138,
D14/137, 191, 343, 346, 455; D21/329,
D21/331, 333; 455/575.3, 575.4

See application file for complete search history.

(56) **References Cited**

U.S. PATENT DOCUMENTS

D481,368 S * 10/2003 Helin D14/138
D496,944 S * 10/2004 Huang D14/496
2003/0073456 A1 * 4/2003 Griffin et al. 455/550
2003/0078069 A1 * 4/2003 Lindeman 455/550

OTHER PUBLICATIONS

Nokia 9300, announced 3Q 2004 (online), retrieved Jun. 20, 2007, from Internet URL www.gsmarena.com.*

Nokia 9210i Communicator, announced 2002 (online), retrieved Jun. 20, 2007 from Internet URL www.gsmarena.com.*

* cited by examiner

Primary Examiner—Terry A Wallace

(74) *Attorney, Agent, or Firm*—Birch, Stewart, Kolasch & Birch, LLP

(57) **CLAIM**

The ornamental design for a mobile phone, as shown and described.

DESCRIPTION

FIG. 1 is a perspective view of a mobile phone our new design;

FIG. 2 is a front view thereof;

FIG. 3 is a rear view thereof;

FIG. 4 is a left side view thereof;

FIG. 5 is a right side view thereof;

FIG. 6 is a top plan view thereof;

FIG. 7 is a bottom plan view thereof;

FIG. 8 is a front view illustrating an opened state thereof;

FIG. 9 is a front view of FIG. 8 in a condition that the inner key pad is slided both sideward and the inner touch pad is exposed; and,

FIG. 10 is a front view thereof in a condition that the lower body thereof is slightly slided sideward and the inner key pad is exposed.

1 Claim, 7 Drawing Sheets

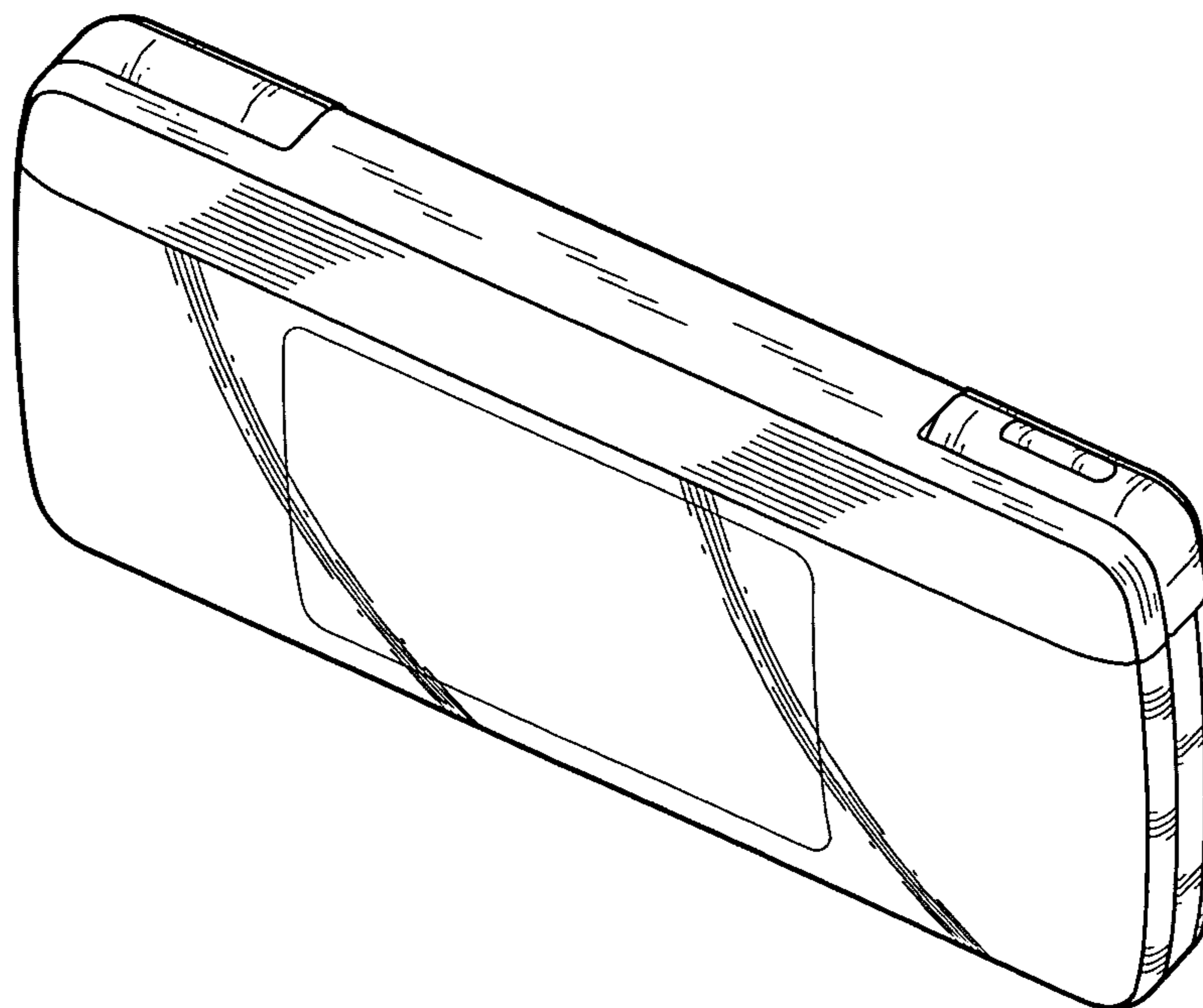


FIG. 1

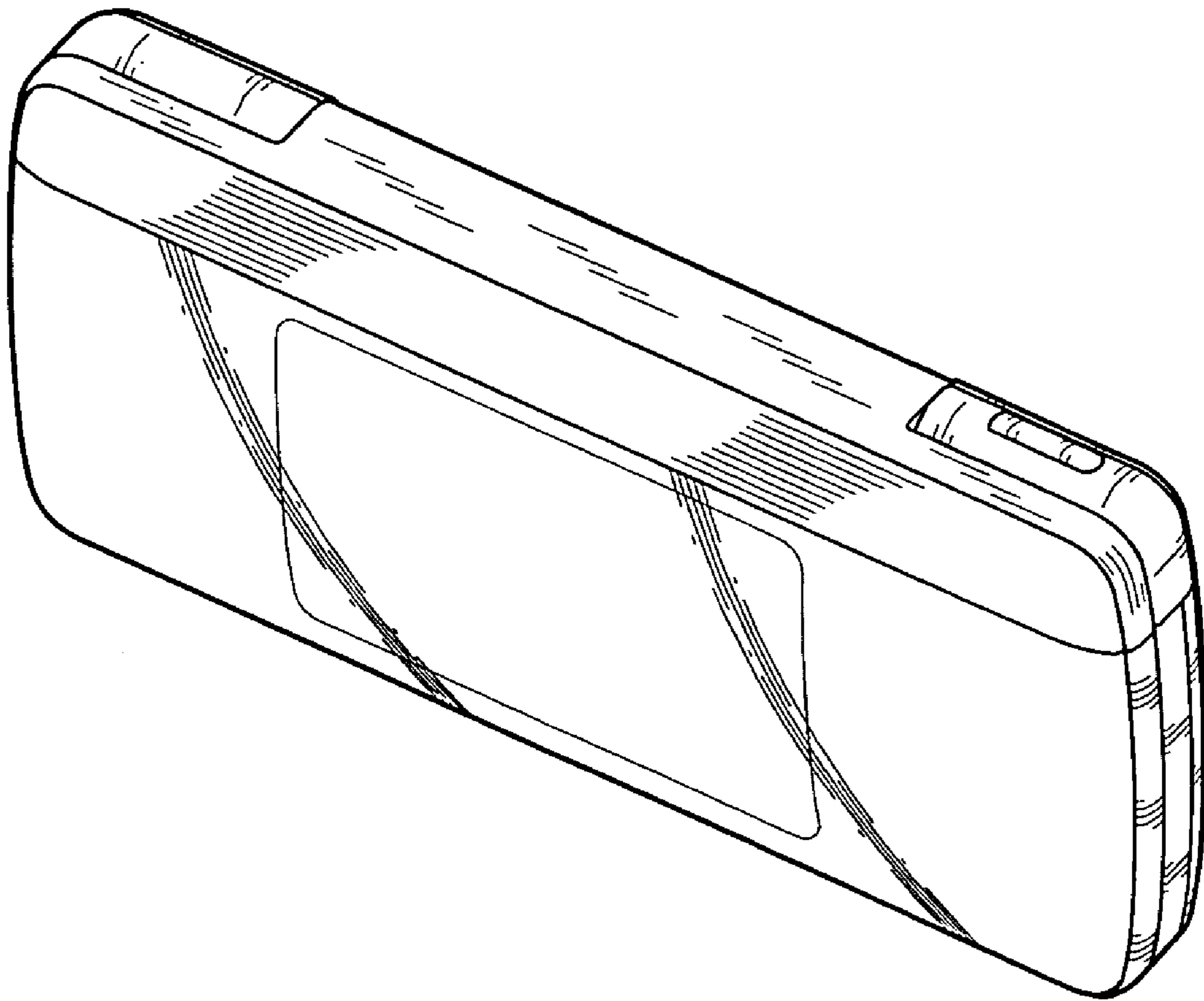


FIG. 2

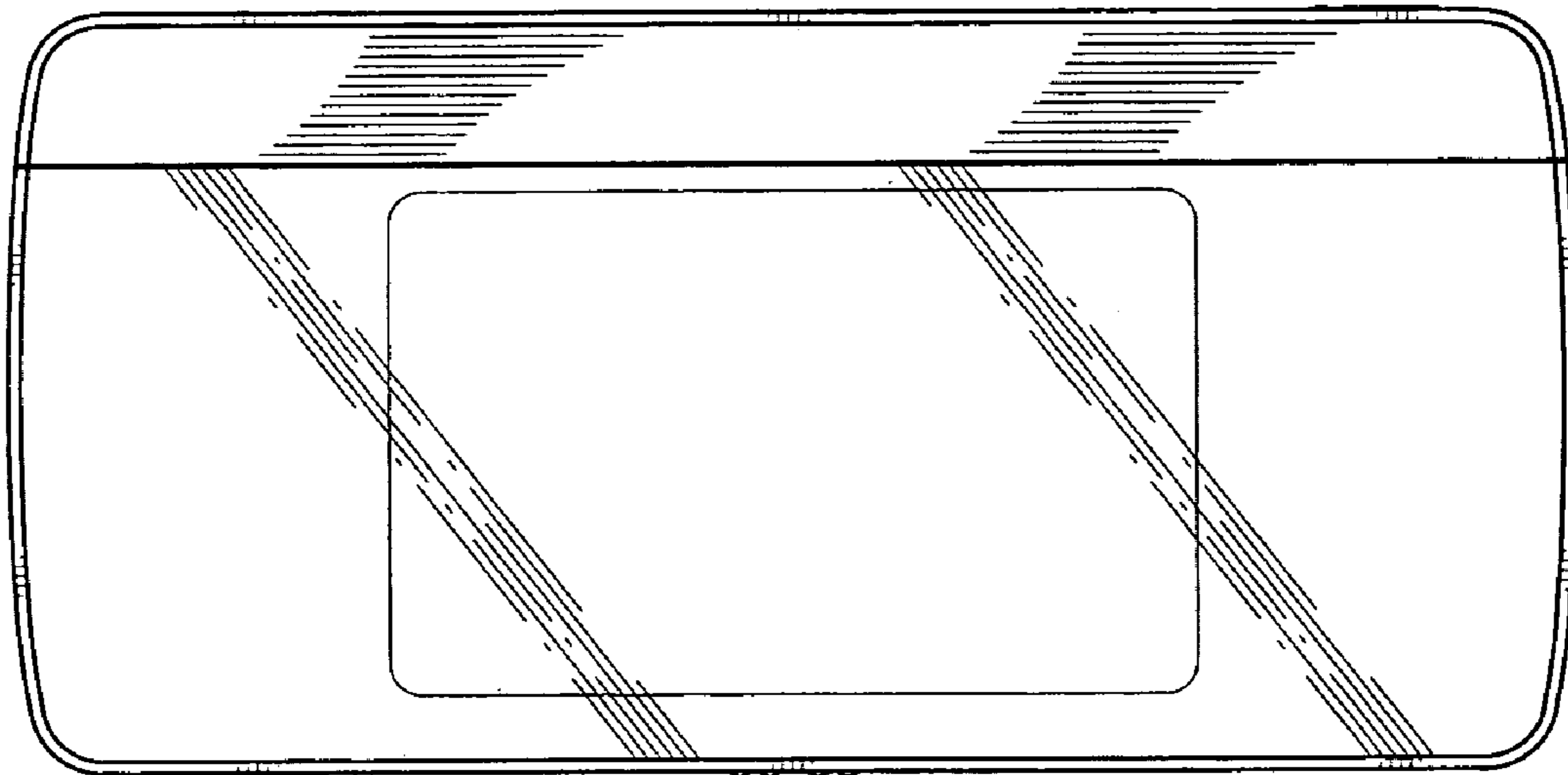


FIG. 3

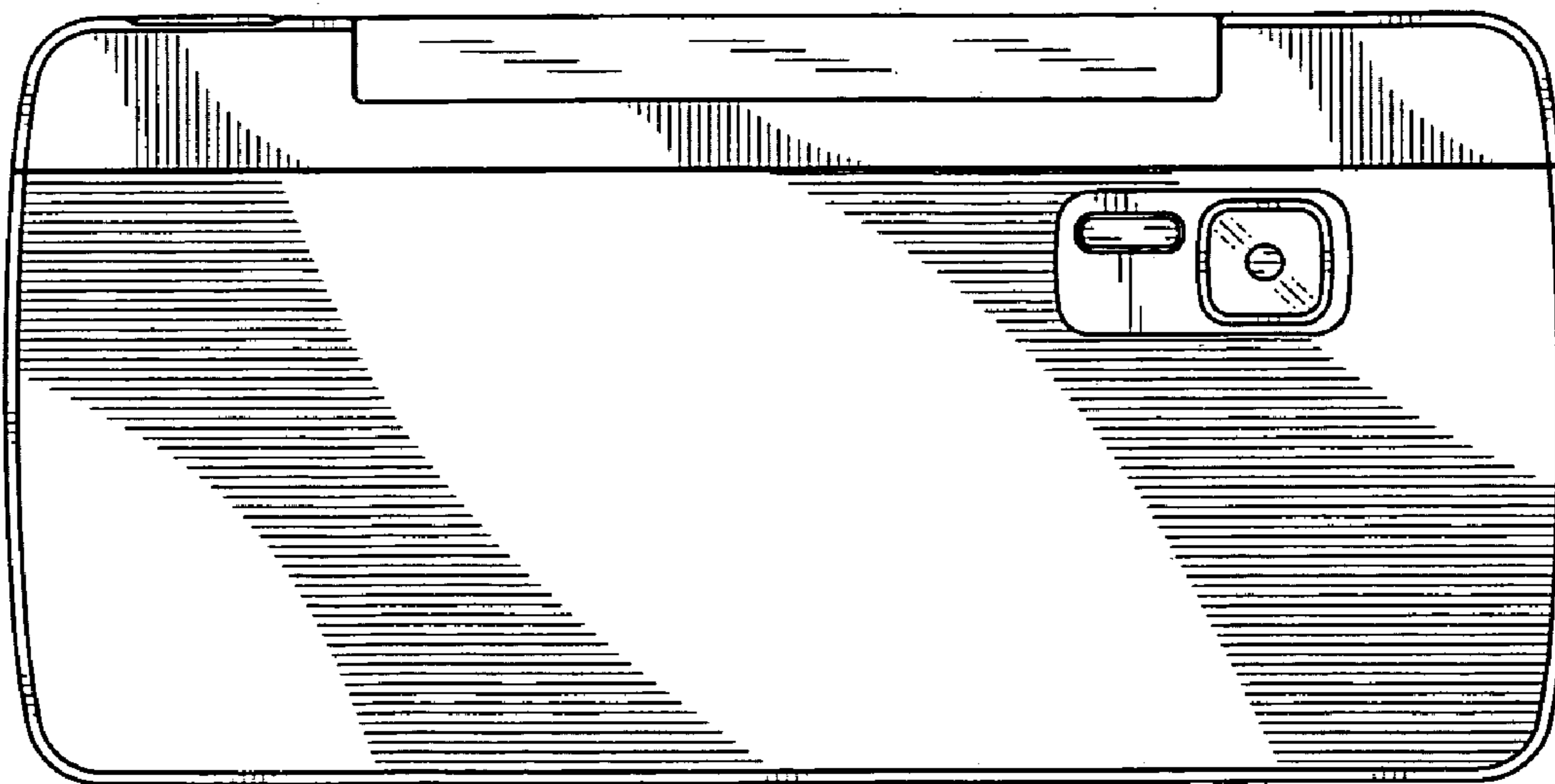


FIG. 4

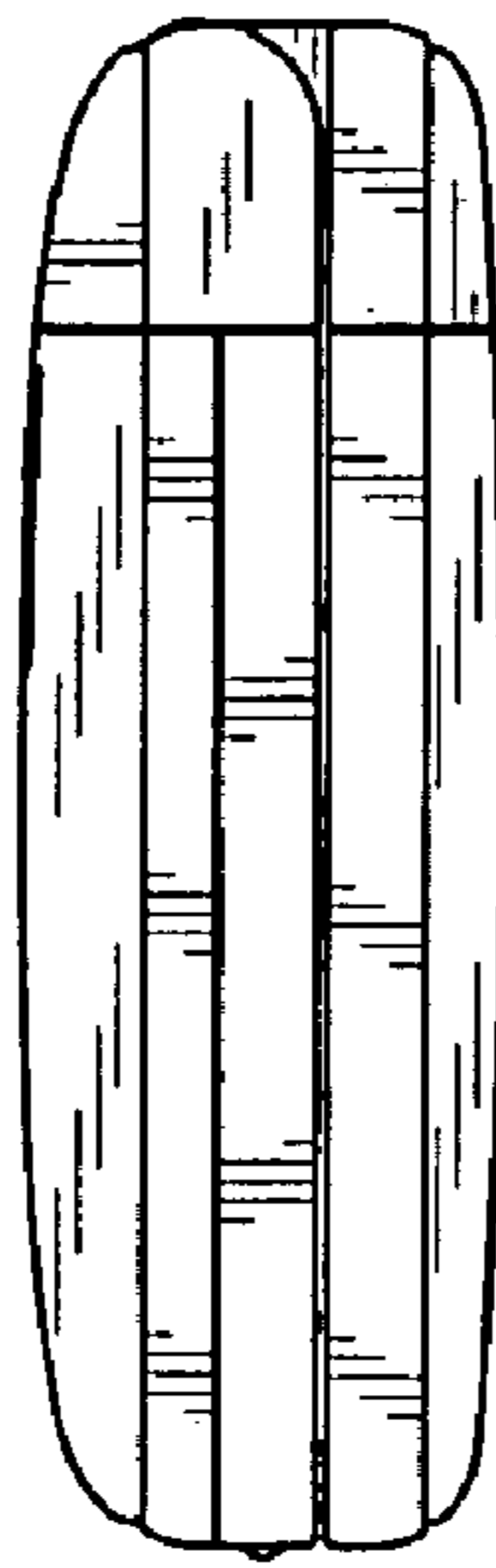


FIG. 5



FIG. 6



FIG. 7

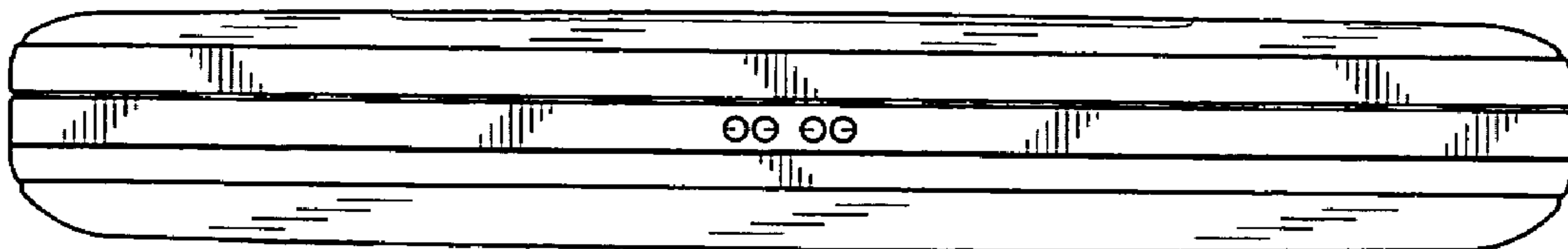


FIG. 8

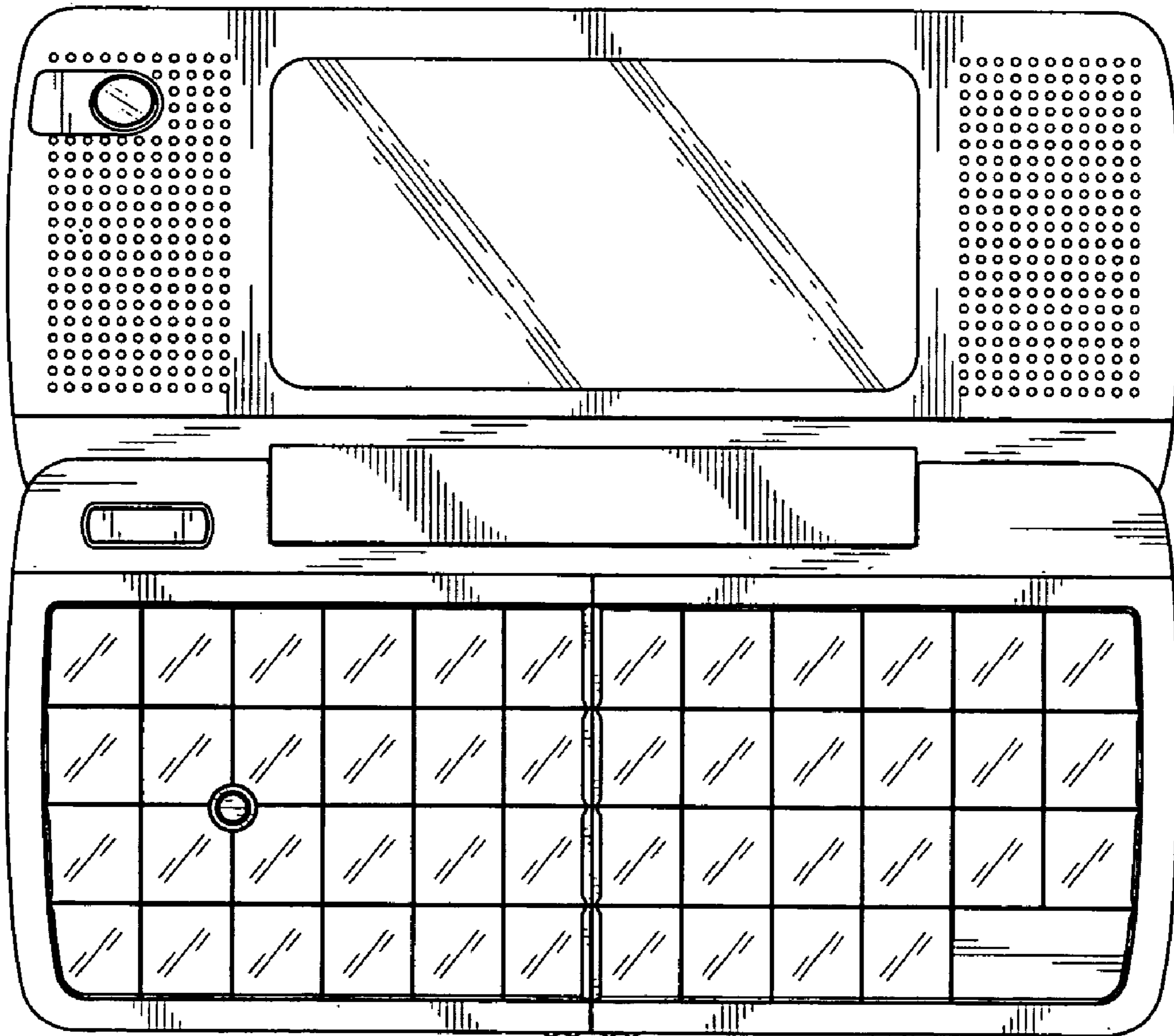


FIG. 9

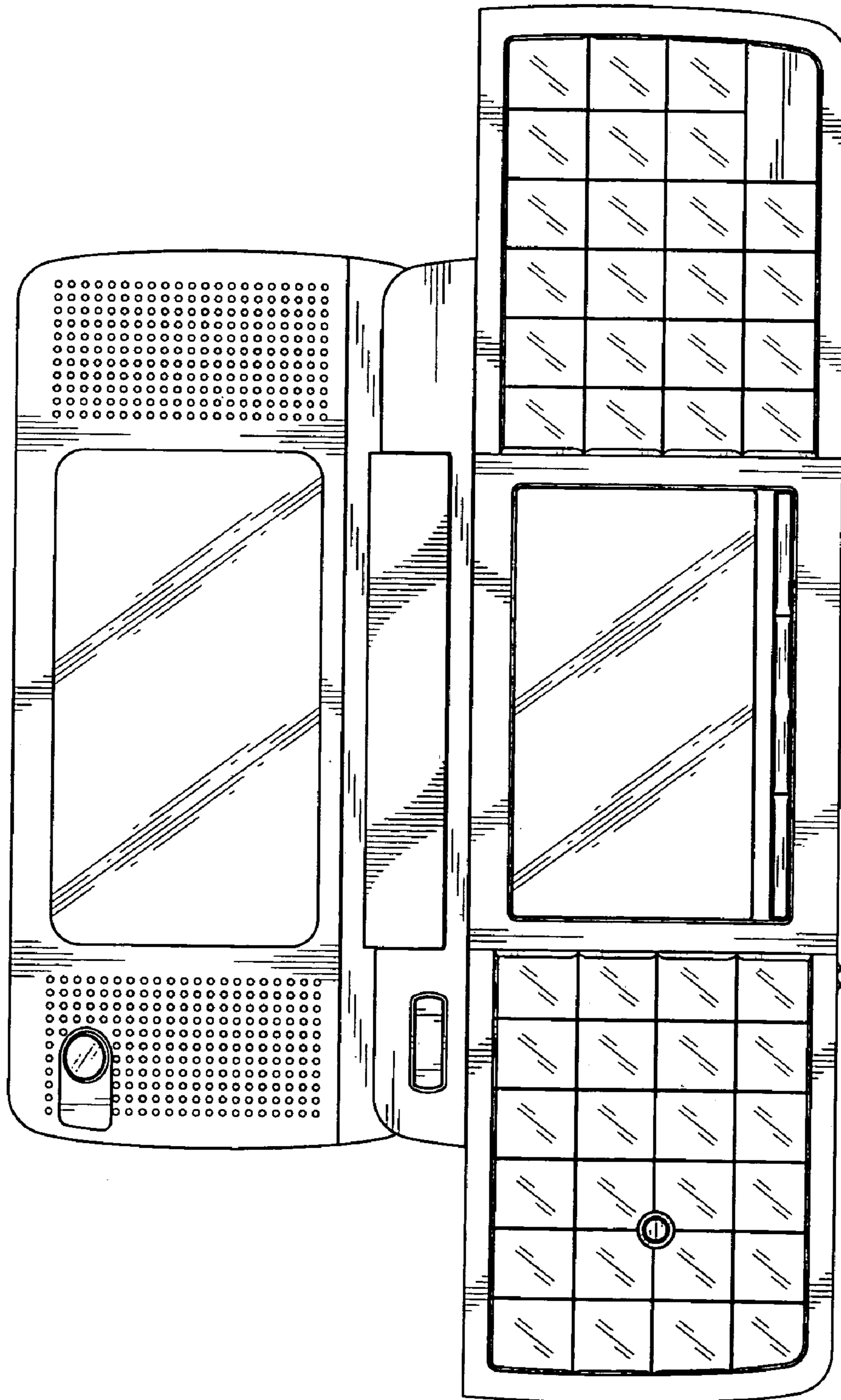


FIG. 10

